

Brass rotary vane pumps "ROTOFLOW"



Under the trademark Rotoflow the rotary vane pumps are sold worldwide. They are volumetric pumps designed for pumping water and moderate aggressive liquids with low flow at high pressure.

Technical features and manufacturing characteristics

The rotary vane pump is brass made with a stainless steel AISI 303 rotor, while the

pumping chamber and the vanes are in carbon graphite.

The inlet and outlet ports are 3/8" NPT/GAS threaded.

The pumps are designed to be directly mounted to the motor with a stainless steel clamp. For different mounting arrangements see our technical info "optional mountings". Maximum operative temperature: 70 °C (158 °F).

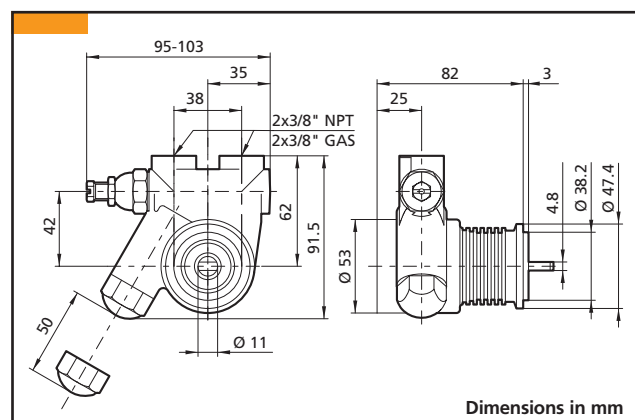
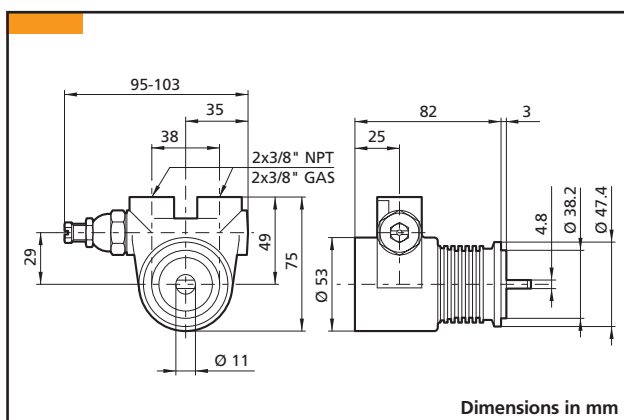
Available upon request:

- Viton/EPDM seals (suffix - V/E)
- built-in relief valve
- built-in 71 mesh filter
- flange mount
- NSF listed pumps for potable water (PA series) - WRAS approved pumps (PW series)



Main applications

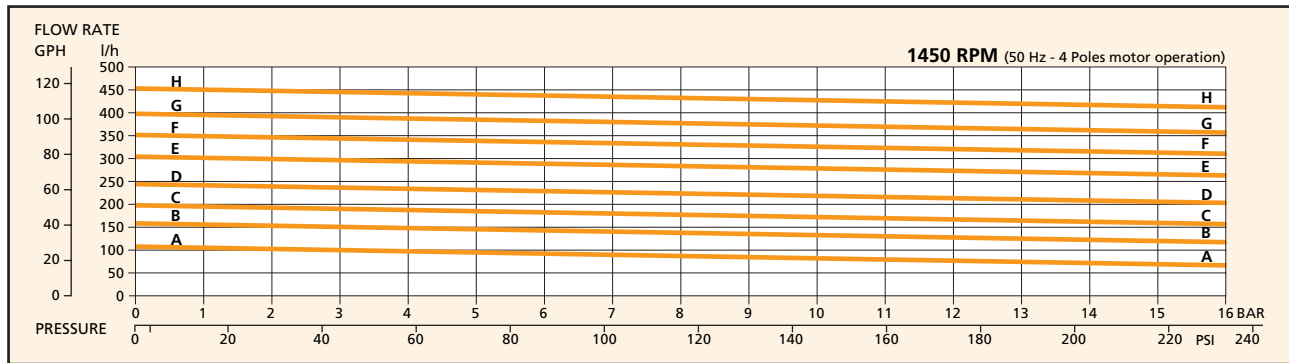
- Beverage vending machines
- Post-mix drink dispensers
- Espresso coffee machines
- Cooling systems
- Reverse osmosis
- Ultra-filtration
- Water dispensers



Brass rotary vane pumps "ROTOFLOW"

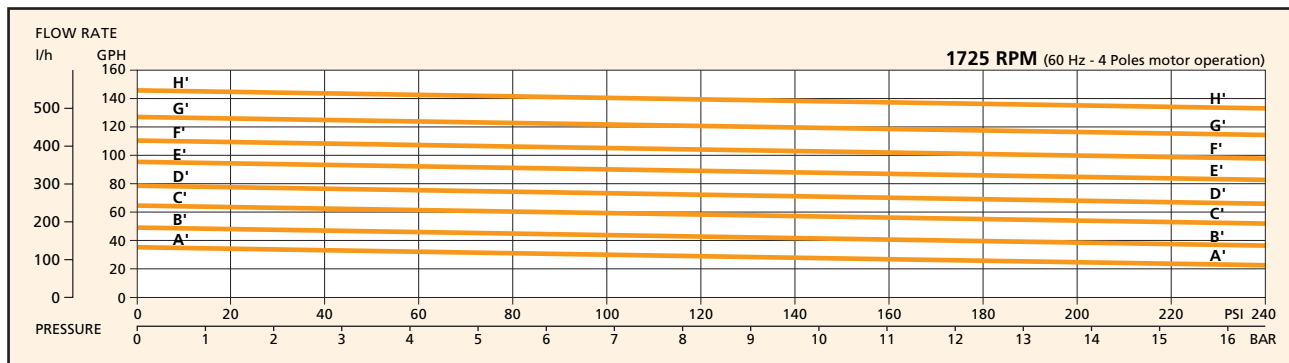
| MODEL PO/PA | 070 | 071 | 074 | 071x | 074x | 100 | 101 | 104 | 101x | 104x | 1500 | 1501 | 1504 | 1501x | 1504x | 200 | 201 | 204 | 201x | 204x |
|----------------------|-----|-----|-----|------|------|-----|-----|-----|------|------|------|------|------|-------|-------|-----|-----|-----|------|------|
| Flow (l/h) at 2 BAR | | | 100 | | | | | 150 | | | | | 190 | | | | | 236 | | |
| Flow (l/h) at 7 BAR | | | 89 | | | | | 139 | | | | | 179 | | | | | 225 | | |
| Flow (l/h) at 14 BAR | | | 70 | | | | | 120 | | | | | 160 | | | | | 206 | | |
| Figure | | | A-A | | | | | B-B | | | | | C-C | | | | | D-D | | |
| By-Pass | NO | STD | BAL | STD | BAL | NO | STD | BAL | STD | BAL | NO | STD | BAL | STD | BAL | NO | STD | BAL | STD | BAL |
| Built in filter | NO | NO | NO | YES | YES | NO | NO | NO | YES | YES | NO | NO | NO | YES | YES | NO | NO | NO | YES | YES |

| MODEL PO/PA | 2500 | 2501 | 2504 | 2501x | 2504x | 300 | 301 | 304 | 301x | 304x | 3500 | 3501 | 3504 | 3501x | 3504x | 400 | 401 | 404 | 401x | 404x |
|----------------------|------|------|------|-------|-------|-----|-----|-----|------|------|------|------|------|-------|-------|-----|-----|-----|------|------|
| Flow (l/h) at 2 BAR | | | 295 | | | | | 345 | | | | | 390 | | | | | 445 | | |
| Flow (l/h) at 7 BAR | | | 284 | | | | | 334 | | | | | 379 | | | | | 434 | | |
| Flow (l/h) at 14 BAR | | | 265 | | | | | 315 | | | | | 360 | | | | | 415 | | |
| Figure | | | E-E | | | | | F-F | | | | | G-G | | | | | H-H | | |
| By-Pass | NO | STD | BAL | STD | BAL | NO | STD | BAL | STD | BAL | NO | STD | BAL | STD | BAL | NO | STD | BAL | STD | BAL |
| Built in filter | NO | NO | NO | YES | YES | NO | NO | NO | YES | YES | NO | NO | NO | YES | YES | NO | NO | NO | YES | YES |



| MODEL PO/PA | 070 | 071 | 074 | 071x | 074x | 100 | 101 | 104 | 101x | 104x | 1500 | 1501 | 1504 | 1501x | 1504x | 200 | 201 | 204 | 201x | 204x |
|-----------------------|-----|-----|-------|------|------|-----|-----|-------|------|------|------|------|-------|-------|-------|-----|-----|-------|------|------|
| Flow (GPH) at 20 PSI | | | 34 | | | | | 49 | | | | | 64 | | | | | 78 | | |
| Flow (GPH) at 100 PSI | | | 30 | | | | | 45 | | | | | 60 | | | | | 74 | | |
| Flow (GPH) at 200 PSI | | | 24 | | | | | 39 | | | | | 54 | | | | | 68 | | |
| Figure | | | A'-A' | | | | | B'-B' | | | | | C'-C' | | | | | D'-D' | | |
| By-Pass | NO | STD | BAL | STD | BAL | NO | STD | BAL | STD | BAL | NO | STD | BAL | STD | BAL | NO | STD | BAL | STD | BAL |
| Built in filter | NO | NO | NO | YES | YES | NO | NO | NO | YES | YES | NO | NO | NO | YES | YES | NO | NO | NO | YES | YES |

| MODEL PO/PA | 2500 | 2501 | 2504 | 2501x | 2504x | 300 | 301 | 304 | 301x | 304x | 3500 | 3501 | 3504 | 3501x | 3504x | 400 | 401 | 404 | 401x | 404x |
|-----------------------|------|------|-------|-------|-------|-----|-----|-------|------|------|------|------|-------|-------|-------|-----|-----|-------|------|------|
| Flow (GPH) at 20 PSI | | | 95 | | | | | 111 | | | | | 127 | | | | | 144 | | |
| Flow (GPH) at 100 PSI | | | 91 | | | | | 107 | | | | | 123 | | | | | 140 | | |
| Flow (GPH) at 200 PSI | | | 85 | | | | | 101 | | | | | 117 | | | | | 134 | | |
| Figure | | | E'-E' | | | | | F'-F' | | | | | G'-G' | | | | | H'-H' | | |
| By-Pass | NO | STD | BAL | STD | BAL | NO | STD | BAL | STD | BAL | NO | STD | BAL | STD | BAL | NO | STD | BAL | STD | BAL |
| Built in filter | NO | NO | NO | YES | YES | NO | NO | NO | YES | YES | NO | NO | NO | YES | YES | NO | NO | NO | YES | YES |



Pump weight: 1,1 kg / 2.5 Lbs (clamp mount) 1,3 kg / 2.9 Lbs (clamp mount w/strainer) - Characteristics at constant motor speed, water at 20 °C / 68 °F and by-pass blocked For applications involving other fluids, high temperatures or unusual processing conditions, please consult the factory or an authorized distributor.

The manufacturer reserves the right to alter the specifications indicated in this catalogue at any time and without prior notice.

PO - B - 07/06 Ed.