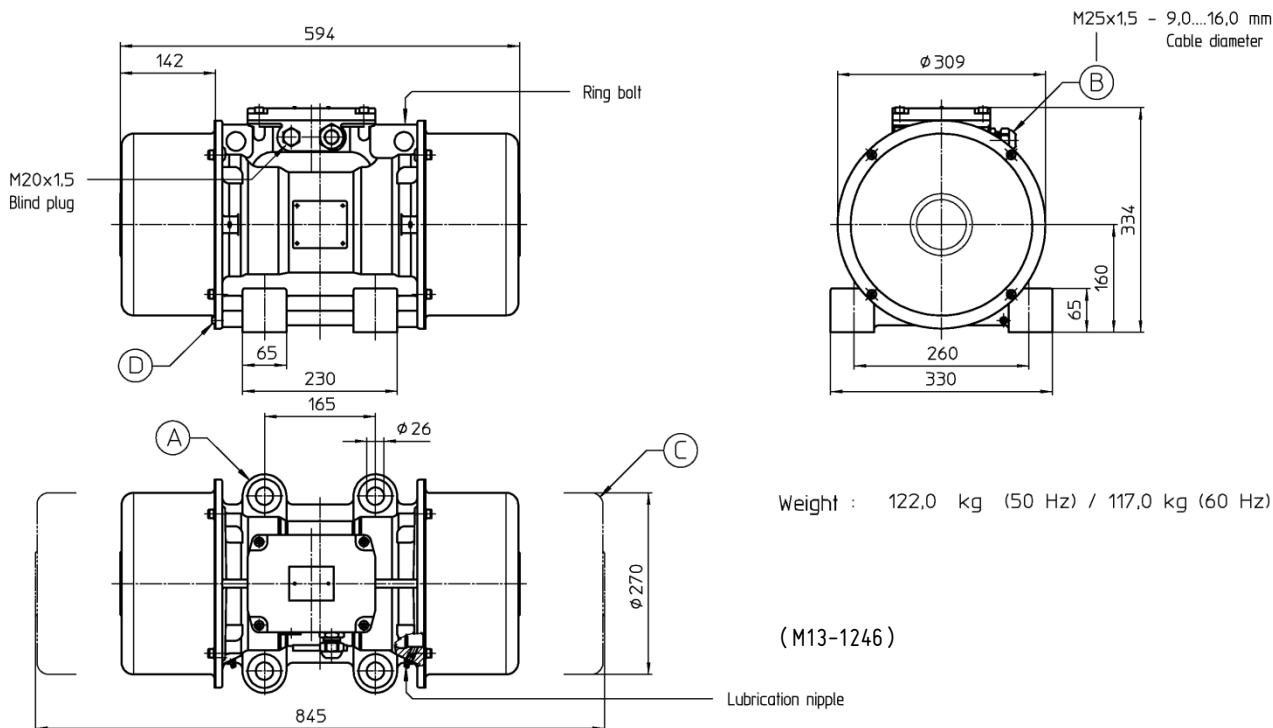


# Unbalance motor UVG 38X-A1.1



Weight : 122,0 kg (50 Hz) / 117,0 kg (60 Hz)

( M13-1246 )

- (A) – Mounting screws required: 4 pieces (M24) – Screw tightening torque: 730 Nm (Bolt quality: 8.8)
- (B) – Observe the degree of protection (IP Code) according to the type label, cable diameter and cable gland must match!
- (C) – Observe the required space for mounting the protective hoods!
- (D) – Grounding screw

Electrical specifications									
Housing size	Mains frequency	Standard coils	Code number AVITEQ	Nominal current	Input power	Power factor	I <sub>A</sub> /I <sub>N</sub>	Number of poles	Motor speed, synchronous
70S	50Hz	220-240/380-415V (3-phase)	57091	6.75/3.90A	2.200kW	0.81	7.11	4	1,500min <sup>-1</sup>
		254-305/440-525V (3-phase)	57092	5.40/3.10A					
	60Hz	220-277/380-480V (3-phase)	57093	6.75/3.90A	2.500kW	0.84	6.92		1,800min <sup>-1</sup>
		330-346/575-600V (3-phase)	57386	5.40/3.10A					

Mechanical specifications							
Housing size	Mains frequency	Centrifugal force	Static moment	Working weight range (double drive)	Degree of protection (EN 60529)	Bearing	Sound pressure level
70S	50Hz	37,700N	305kgcm	775...3,825kg	IP66	NJ2311E-TVP2.C4.BL	<70dB(A)
	60Hz	36,700N	207kgcm	685...3.215kg			

Further information:	
Insulation class:	F
Construction:	can be operated at all positions
Rotation:	C.W. and C.C.W.
Permissible number of starts per hour:	15
Allowed ambient temperature:	-20...+55°C (Special version with heater for temperatures below -20°C possible on request)
Standard coloring (housing):	RAL 5018, powder-coated (...other colorings possible on request)
Bearing service life-hours (L10 Basis):	approx. 6,500h, bearing re-placement interval <u>without</u> re-lubrication under normal conditions approx. 10,000h, bearing re-placement interval <u>with</u> re-lubrication under normal conditions
Re-lubrication:	8 re-lubrication intervals every 1,250h with 16g STABURAGS NBU 8EP (lubricant)
Service factor:	1.15
CSA-approval:	Yes (...only for non-hazardous areas)
ATEX-approval:	LCIE 07 ATEX 6020 X - II 2 D tD A21 IP66 T 135°C