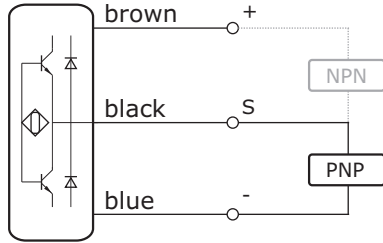


Inductive Proximity Switches High Temperature

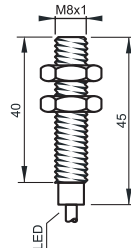
Output Schematics



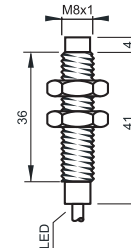
M8 M8 M12 M12



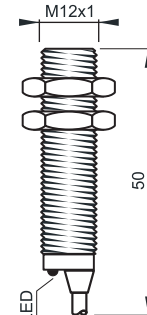
120 °C



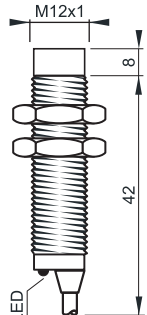
120 °C



120 °C



120 °C



SPECIFICATIONS

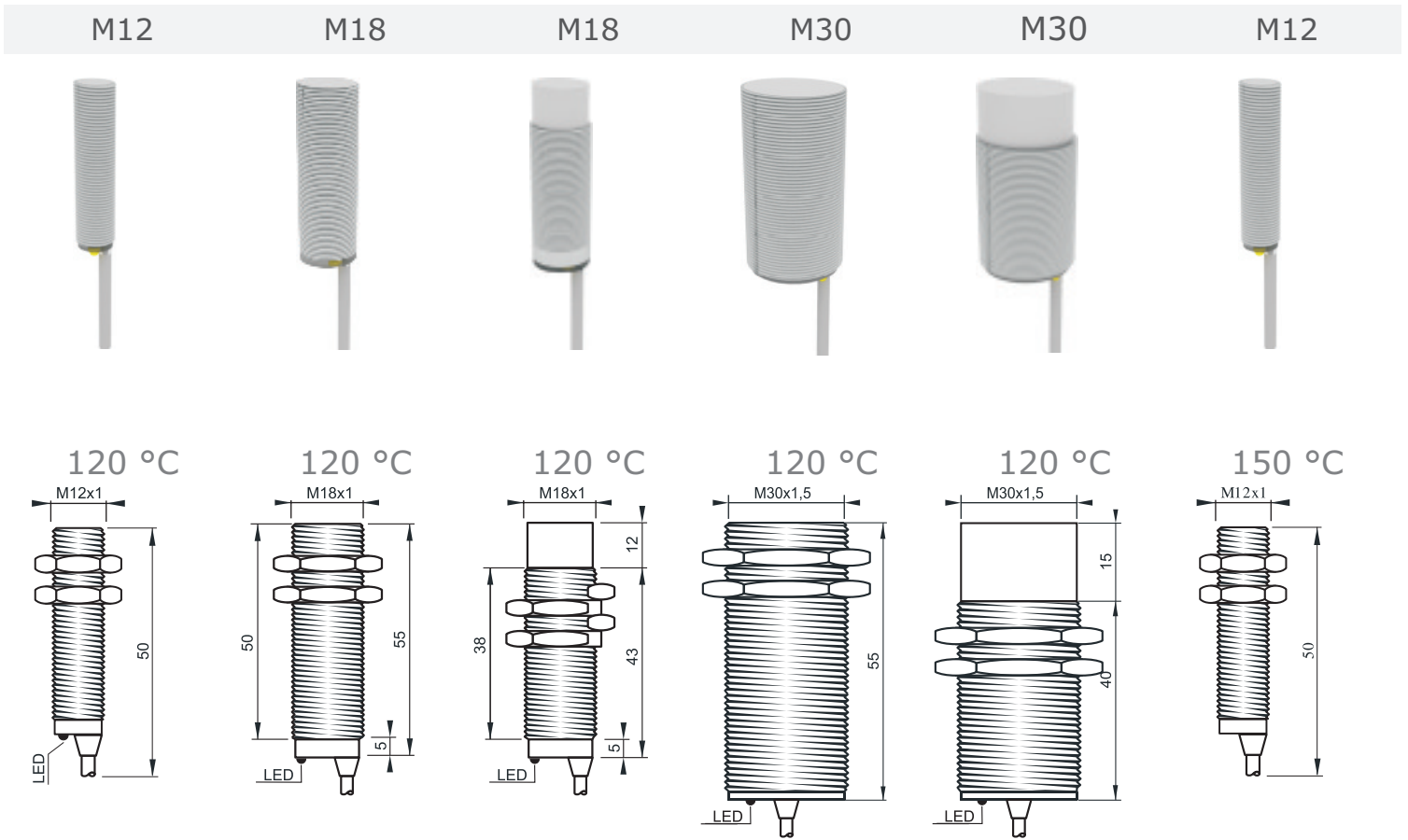
	M8x1 - 120 °C	M8x1 - 120 °C	M12x1 - 120 °C	M12x1 - 120 °C
Sensing Distance	2 mm - Shielded	4 mm - Unshielded	2 mm - Shielded	4 mm - Unshielded
Amplifier	Fully Embedded	Fully Embedded	Fully Embedded	Fully Embedded
Operating Voltage	10...30 VDC, 3-wire	10...30 VDC, 3-wire	10...30 VDC, 3-wire	10...30 VDC, 3-wire
Reverse Polarity Protection	built-in	built-in	built-in	built-in
Current Consumption	< 8 mA	< 8 mA	< 8 mA	< 8 mA
Current Load Capability	120 mA	120 mA	120 mA	120 mA
Short Circuit Protection	built-in - self resetting	built-in - self resetting	built-in - self resetting	built-in - self resetting
Voltage Drop	< 2 V @ 120 mA	< 2 V @ 120 mA	< 2 V @ 120 mA	< 2 V @ 120 mA
Switching Frequency	1000 Hz	1000 Hz	1000 Hz	1000 Hz
Repeatability	< 3 %	< 3 %	< 3 %	< 3 %
Hysteresis	3...15 %	3...15 %	3...15 %	3...15 %
Operating Temperature	-25...+120 °C	-25...+120 °C	-25...+120 °C	-25...+120 °C
Thermal Stress	permanent	permanent	permanent	permanent
Protection Class	IP 67	IP 67	IP 67	IP 67
Housing Material	1.4305 / SS303	1.4305 / SS303	1.4305 / SS303	1.4305 / SS303
Connection	2m, PTFE or Silicone	2m, PTFE or Silicone	2m, PTFE or Silicone	2m, PTFE or Silicone
Output Indicator	* Integrated	* Integrated	* Integrated	* Integrated

Article Code

PTFE Cable - PNP, NO	IHT8-S2APO45/A2T	IHT8-N4APO45/A2T	IHT12-S2APO50/A2T	IHT12-N4APO50/A2T
PTFE Cable - PNP, NC	IHT8-S2APC45/A2T	IHT8-N4APC45/A2T	IHT12-S2APC50/A2T	IHT12-N4APC50/A2T
PTFE Cable - NPN, NO	IHT8-S2ANO45/A2T	IHT8-N4ANO45/A2T	IHT12-S2ANO50/A2T	IHT12-N4ANO50/A2T
PTFE Cable - NPN, NC	IHT8-S2ANC45/A2T	IHT8-N4ANC45/A2T	IHT12-S2ANC50/A2T	IHT12-N4ANC50/A2T
Silicone Cable - PNP, NO	IHT8-S2APO45/A2S	IHT8-N4APO45/A2S	IHT12-S2APO50/A2S	IHT12-N4APO50/A2S
Silicone Cable - PNP, NC	IHT8-S2APC45/A2S	IHT8-N4APC45/A2S	IHT12-S2APC50/A2S	IHT12-N4APC50/A2S
Silicone Cable - NPN, NO	IHT8-S2ANO45/A2S	IHT8-N4ANO45/A2S	IHT12-S2ANO50/A2S	IHT12-N4ANO50/A2S
Silicone Cable - NPN, NC	IHT8-S2ANC45/A2S	IHT8-N4ANC45/A2S	IHT12-S2ANC50/A2S	IHT12-N4ANC50/A2S

* Only for mechanical setup - LED possibly dies if operated at temperatures beyond 130 °C (266 °F). LED functionality is not covered by warranty !

Inductive Proximity Switches High Temperature



M12x1 - 120 °C	M18x1 - 120 °C	M18x1 - 120 °C	M30x1.5 - 120 °C	M30x1.5 - 120 °C	M12x1 - 150 °C
4 mm - Shielded	5 mm - Shielded	8 mm - Unshielded	10 mm - Shielded	15 mm - Unshielded	2 mm - Shielded
Fully Embedded	Fully Embedded	Fully Embedded	Fully Embedded	Fully Embedded	Fully Embedded
10...30 VDC, 3-wire built-in	10...30 VDC, 3-wire built-in	10...30 VDC, 3-wire built-in	10...30 VDC, 3-wire built-in	10...30 VDC, 3-wire built-in	10...30 VDC, 3-wire built-in
< 8 mA	< 8 mA	< 8 mA	< 8 mA	< 8 mA	< 8 mA
120 mA	150 mA	150 mA	150 mA	150 mA	120 mA
built-in - self resetting	built-in - self resetting	built-in - self resetting	built-in - self resetting	built-in - self resetting	built-in - self resetting
< 2 V @ 120 mA	< 2 V @ 150 mA	< 2 V @ 150 mA	< 2 V @ 150 mA	< 2 V @ 150 mA	< 2 V @ 120 mA
1000 Hz	800 Hz	500 Hz	300 Hz	150 Hz	1000 Hz
< 3 %	< 3 %	< 3 %	< 3 %	< 3 %	< 3 %
3...15 %	3...15 %	3...15 %	3...15 %	3...15 %	3...15 %
-25...+120 °C	-25...+120 °C	-25...+120 °C	-25...+120 °C	-25...+120 °C	-25...+120 °C
permanent	permanent	permanent	permanent	permanent	permanent
IP 67	IP 67	IP 67	IP 67	IP 67	IP 67
1.4305 / SS303	1.4305 / SS303	1.4305 / SS303	1.4305 / SS303	1.4305 / SS303	1.4305 / SS303
2m, PTFE or Silicone	2m, PTFE or Silicone	2m, PTFE or Silicone	2m, PTFE or Silicone	2m, PTFE or Silicone	2m, PTFE or Silicone
* Integrated	* Integrated	* Integrated	* Integrated	* Integrated	On Request

IHT12-S4APO50/A2T	IHT18-S5APO55/A2T	IHT18-N8APO55/A2T	IHT30-S10APO55/A2T	IHT30-N15APO55/A2T	IHT12-S2BPO50/N2T
IHT12-S4APC50/A2T	IHT18-S5APC55/A2T	IHT18-N8APC55/A2T	IHT30-S10APC55/A2T	IHT30-N15APC55/A2T	IHT12-S2BPC50/N2T
IHT12-S4ANO50/A2T	IHT18-S5ANO55/A2T	IHT18-N8ANO55/A2T	IHT30-S10ANO55/A2T	IHT30-N15ANO55/A2T	IHT12-S2BNO50/N2T
IHT12-S4ANC50/A2T	IHT18-S5ANC55/A2T	IHT18-N8ANC55/A2T	IHT30-S10ANC55/A2T	IHT30-N15ANC55/A2T	IHT12-S2BNC50/N2T
IHT12-S4APO50/A2S	IHT18-S5APO55/A2S	IHT18-N8APO55/A2S	IHT30-S10APO55/A2S	IHT30-N15APO55/A2S	IHT12-S2BPO50/N2S
IHT12-S4APC50/A2S	IHT18-S5APC55/A2S	IHT18-N8APC55/A2S	IHT30-S10APC55/A2S	IHT30-N15APC55/A2S	IHT12-S2BPC50/N2S
IHT12-S4ANO50/A2S	IHT18-S5ANO55/A2S	IHT18-N8ANO55/A2S	IHT30-S10ANO55/A2S	IHT30-N15ANO55/A2S	IHT12-S2BNO50/N2S
IHT12-S4ANC50/A2S	IHT18-S5ANC55/A2S	IHT18-N8ANC55/A2S	IHT30-S10ANC55/A2S	IHT30-N15ANC55/A2S	IHT12-S2BNC50/N2S