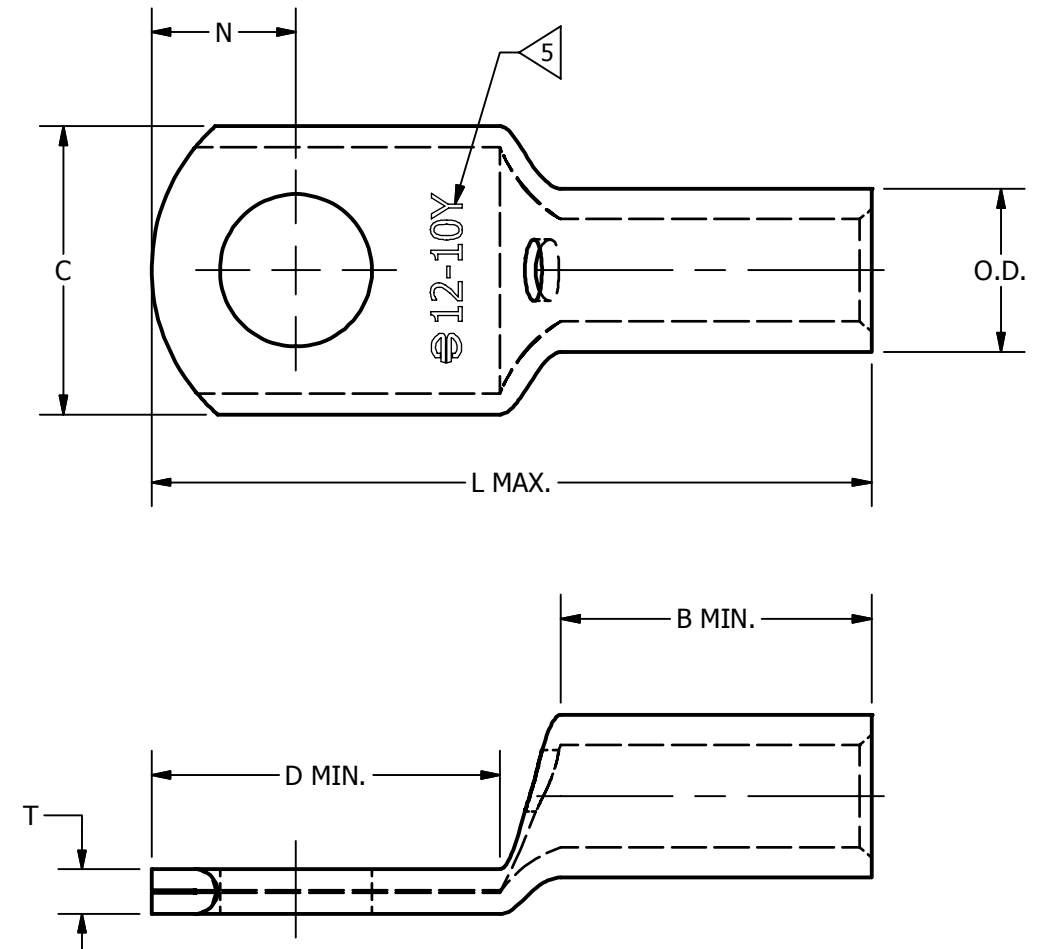


BURNDY CATALOG NUMBER	COPPER AIRCRAFT CABLE MIL-W-5036	MS26059 DASH NO.	STUD SIZE	C	D MIN.	L MAX.	N	O.D.	T	B MIN.	TOOL INDEX NUMBER	
YAV18T4	AN 22 - 18	--	3-4	.19 [5]	.26 [7]	.62 [16]	.09 [2]	.13 [3]	.05 [1]	.21 [5]	1	
YAV18L33		--	4-6	.25 [6]	.31 [8]	.60 [15]	.13 [3]		.04 [1]			
YAV18T5		--	4-6	.32 [8]	.40 [10]	.76 [19]	.16 [4]		.03 [1]			
YAV18T1		--	6-8									
YAV18		--	8-10									
YAV14T5	AN 16 - 14	--	4-6	.30 [8]	.40 [10]	.78 [20]	.16 [4]	.16 [4]	.04 [1]	.25 [6]	2	
YAV14T1		--	6-8									
YAV14		--	8-10									
YAV14T2		--	1/4	.42 [11]	.58 [15]	.99 [25]	.25 [6]		.03 [1]			
YAV14T3		--	5/16	.44 [11]								
YAV10T7	AN 12 - 10	165	4-6	.30 [8]	.41 [10]	.93 [24]	.16 [4]	.21 [5]	.07 [2]	.39 [10]	4	
YAV10T11		--	6-8	.38 [10]	.45 [11]	.97 [25]	.19 [5]		.06 [2]			
YAV10		102	8-10	.29 [7]	.34 [9]	.86 [22]	.16 [4]		.07 [2]			
YAV10L36		--	8-10	.47 [12]	.57 [15]	1.09 [28]	.23 [6]		.05 [1]			
YAV10T3		--	1/4	.53 [14]	.61 [15]	1.13 [29]	.27 [7]		.04 [1]			.39 [10]
YAV10T2		106	5/16	.56 [14]	.65 [17]	1.17 [30]	.28 [7]					
YAV10T4		128	3/8									

REV	DATE	DESCRIPTION	ECO	BY	CHK.
D	11/11/2015	CLARIFY STAMPING ON YAV18 LUGS, ITEM # 603910	42101	NG	RG



NOTES:

1. MATERIAL: SEAMLESS COPPER TUBING
2. FINISH: TIN PLATED
3. DIMENSIONS IN BRACKETS [] ARE IN MILLIMETERS ROUNDED OFF TO THE NEAREST MILLIMETER, UNLESS OTHERWISE SPECIFIED AND ARE FOR REFERENCE ONLY.

4 AVAILABLE WITH SILVER PLATING (ADD SUFFIX "SV") OR NICKEL PLATING (ADD SUFFIX "NK").

5 TYPICAL TONGUE MARKING (Y DENOTES COMPRESSION STYLE LUG) .

TO ORDER BURNDY® PRODUCTS CALL		HYLUG™ (MULTI. PEEP HOLE)	
UNITED STATES 1-800-346-4175 (LONDONDERRY, NH)		ITEM NO: SEE TABLE	
CANADA: 1-800-361-6975 (QUEBEC) 1-800-387-6487 (ALL OTHER PROVINCES)		CAT. NO: YAV-- (SEE TABLE) 4	
FOR PRODUCT INFO: http://www.burndy.com		DRAWN BY: E.MARTIN 07/02/2013	
		CHECKER: E.MARTIN 07/03/2013	
		DSN APRVL: E.MARTIN 07/03/2013	
		MFG APRVL: --	
		QA APRVL: C ACKERMAN 08/22/2013	
		MKT APRVL: M BAILLY 07/04/2013	
		PROD FAM: --	
		DRAWING NO	
		30024543	
		REV	
		D	
		SHEET 1 OF 1	