

POWERCHAIR CONTROL SYSTEM

enAble™ 40 Series



DESCRIPTION

The Curtis enAble 40-Series Powerchair Control System provides unprecedented drive feel and flexibility in a three-module solution: a powerbase with optional light and seat actuators, an ergonomic handcontrol with an intuitive icon LCD display and a compact attendant control.

APPLICATION

The enAble 40-Series provides the perfect solution for rear-, mid- and front drive Powerchairs. With its advanced seating control many Rehab chair configurations will also find the enAble 40-Series as the right fit.

FEATURES

Powerbase (1740)

- Best-in-market drive feel and control for front, mid and rear wheel drive chairs.
- Enhanced ramp control climbing and descending. Smooth starts and stops on all grades.
- Full 50 and 75 amp power ratings in a rugged, compact and sealed enclosure.
- Advanced MyChair™ parameter tunes the overall chair feel to fit each user's unique need with a single parameter.
- Patented Auto-Trim automatically and contiguously corrects steering alignment, which can be thrown off by tire, motor and gearbox wear and replacement.
- Four complete chair configurations/personalities stored in one unit. Each with two drive profiles.
- 3 flexible Multi-Function input pins can be used for:
 - On-board charger with high or low inhibit signal.
 - Speed limits based on switch inputs or potentiometer position.
 - Individual seat actuator inhibits.
 - Swivel chair.
- Powerbase software is upgradable in the field or factory.
- Compatible with the 1311 and 1314 programmers.
- Meets EEC emission and immunity requirements.

The integration of light and actuators provides these options at minimum cost and with simplified installation:

Lighting Option

- StVZO compliant lighting system provides constant brightness and faulted bulb detection.
- Hazard lamps and running lights continue to operate after key-off.

Actuator Option

- Two 4-quadrant variable speed actuator drives (12 amps max) with stall protection.
- Automatic end-stop detection.

FEATURES continued

Handcontrol (1741)

- Stylish and ergonomic design.
- Intuitive at-a-glance LCD icon display with backlight. Viewable in any lighting.
- Industry standard 3-pin XLR Charger/Programmer port on Handcontrol.
- 4 keypad configurations to match the application.
- Up to 9 selectable and individually programmable speed control modes are quickly and easily accessible while driving.
- Key-lock function prevents unauthorized use.
- Rugged and flexible cable.
- Field replaceable keypad, lens, joystick and cable.



Attendant Control (1742)

- Easily connected to the system. Plug and play auto-connect feature.
- Programmable take-over mode.
- Two speed modes, seat control and BDI indication.
- Compact and stylish.
- Field replaceable cable mounts in 2 directions.

Meets or complies with relevant US and International Regulations

The Curtis enAble™ 40 Series powerchair control system is designed to meet:

- EN 12184
- EN 55022
- IEC 801
- FDA documentation filed
- TÜV Certified

MODEL CHART

Powerbase Models

Model	Supply Voltage	Drive Current	Options
1740-1001	24 V	50 A	
1740-2001	24 V	75 A	
1740-1101	24 V	50 A	lights
1740-2101	24 V	75 A	lights
1740-1201	24 V	50 A	actuators
1740-2201	24 V	75 A	actuators
1740-1301	24 V	50 A	actuators & lights
1740-2301	24 V	75 A	actuators & lights

Handcontrol Models

Model	Display	Options
1741-2001	LCD	
1741-2101	LCD	lights
1741-2201	LCD	actuators
1741-2301	LCD	actuators & lights

Attendant Control Model

1742-2001

ACCESSORIES

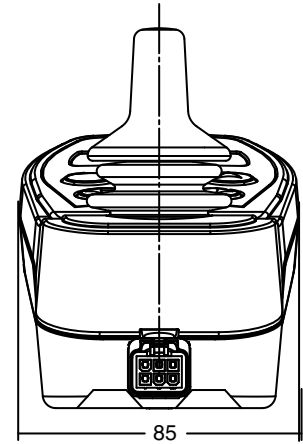
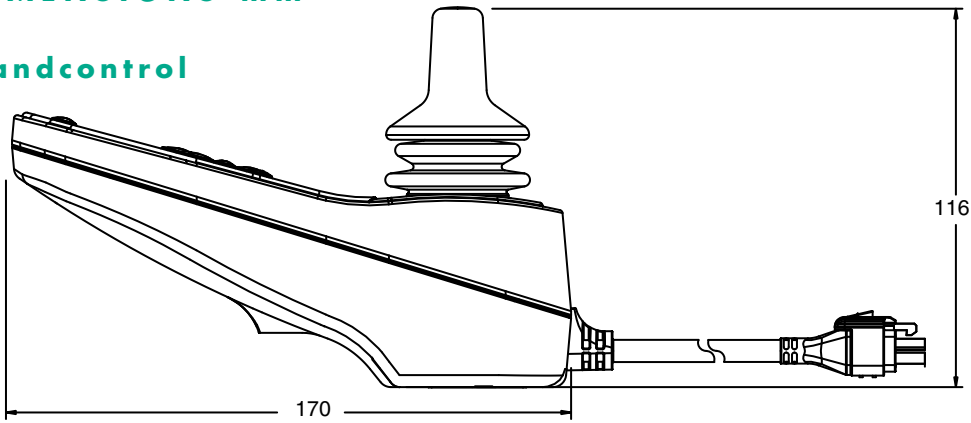
Battery and Motor Connector kit: Curtis PN 381570001

Handheld Programmer Cable (XLR): Curtis PN 36378004

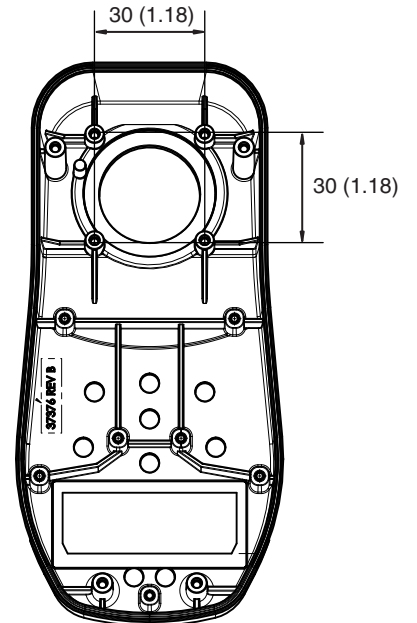
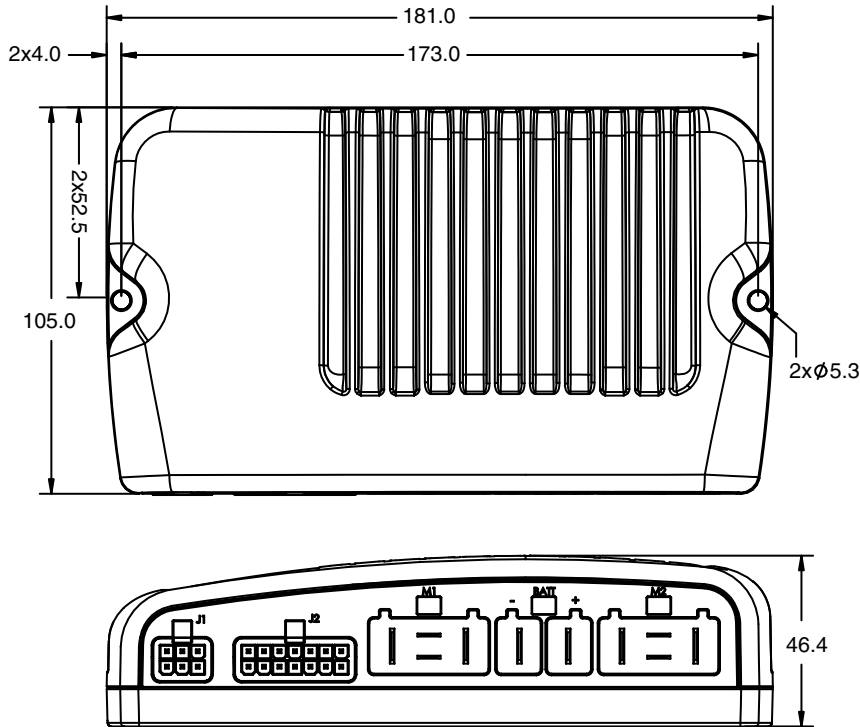
enAble™ 40 Series

DIMENSIONS mm

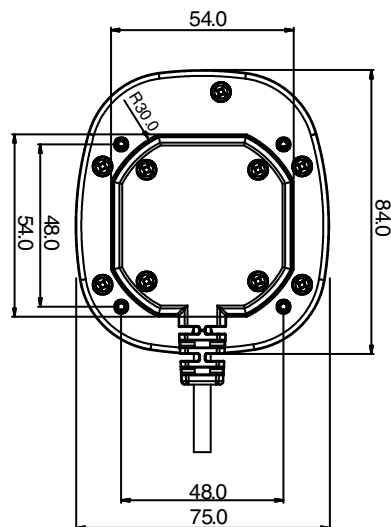
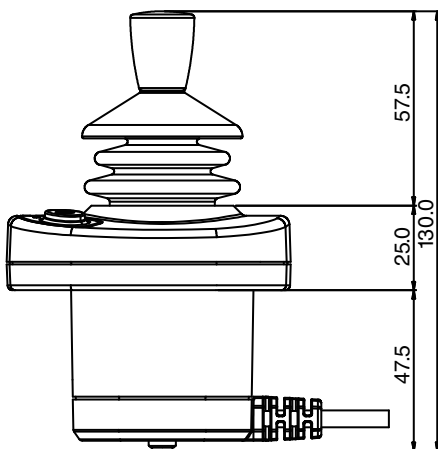
Handcontrol



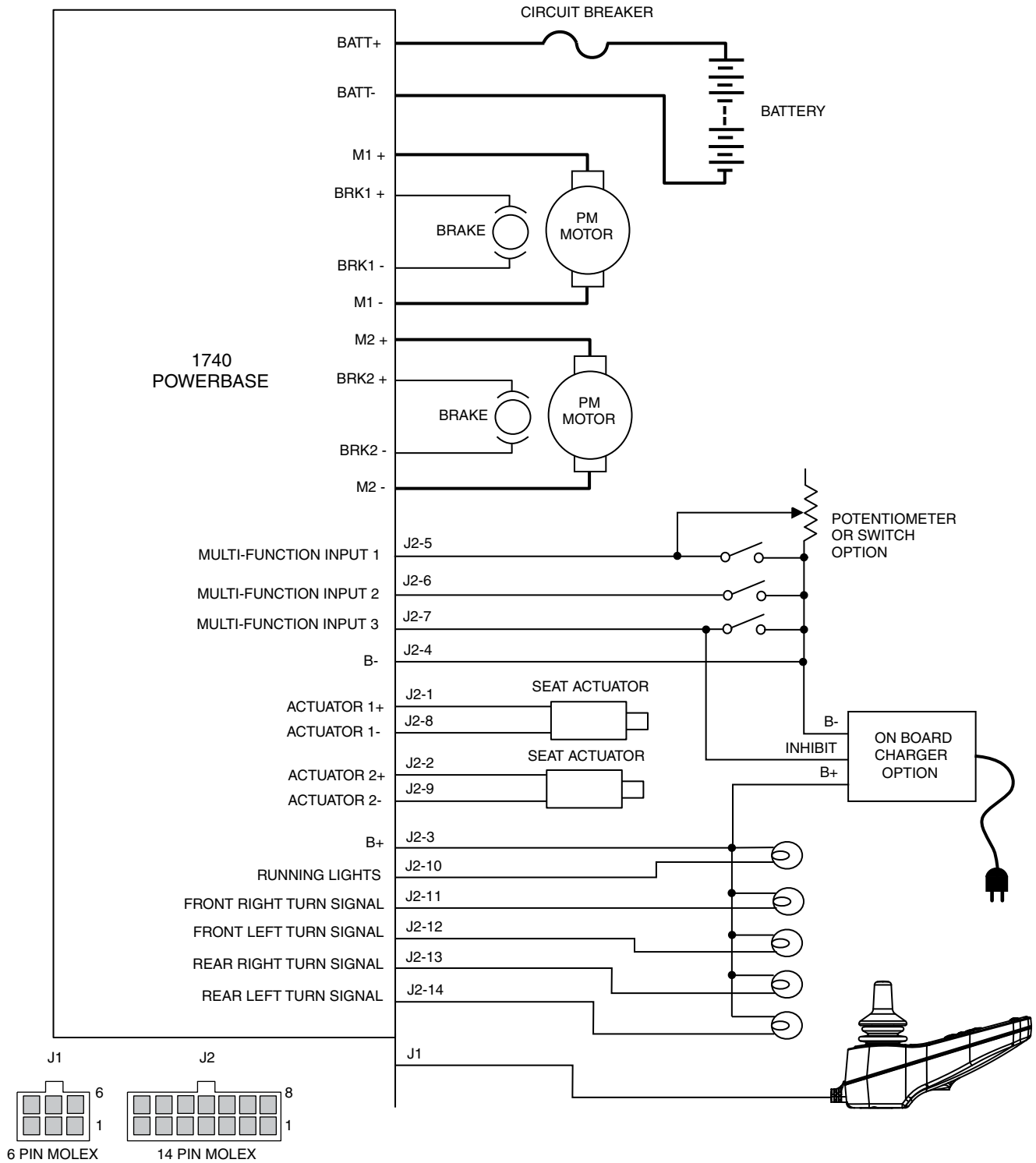
Powerbase



Attendant Control



TYPICAL WIRING



WARRANTY Two year limited warranty from time of delivery.

