



Type CDA-34.004, C1.0

Order code

CDA3 □.□□□, □x.x, □□, ... □□

Technical data

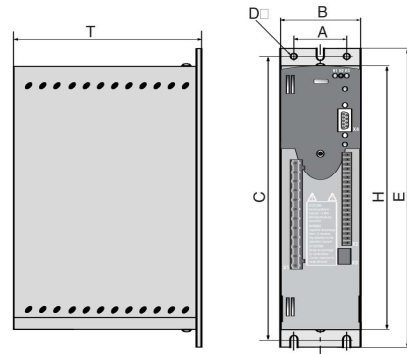
Cooling method

Version

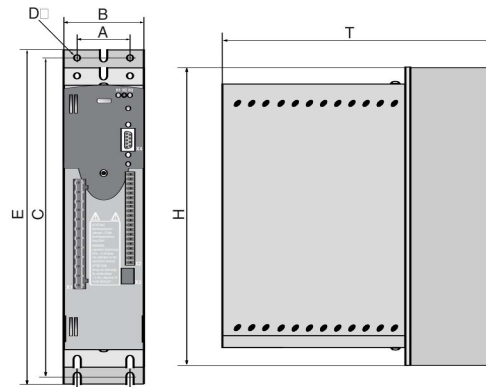
For complete ordering data please refer to the following tables.

Order code	CDA32.006	CDA32.008	CDA34.005	CDA34.006
Techn. data				
Output motor side				
Recommended rated power with 4-pole standard motor	1.1 kW	1.5 kW	1.5 kW	2.2 kW
Device rated power	2.3 kVA	3.0 kVA	3.0 kVA	4.2 kVA
Voltage	3 x 0 ... 230 V	3 x 0 ... 230 V	3 x 0 ... 400/460 V ¹⁾	3 x 0 ... 400/460 V ¹⁾
Effective rated current (I _N at 4/8 kHz)	5.5 A	7.1 A	4.1 A	5.7 A
Peak current 1,8 x I _N (4,8 kHz) for 30s	9.9 A ²⁾	12.8 A ²⁾	7.4 A ²⁾	10.3 A ²⁾
Rotating field frequency	0 ... 400 Hz			
Switching frequency of power stage	4, 8, 16 kHz (factory setting 8 kHz at 40 °C cooling air temperature)			
Input mains side				
Mains voltage	1 x 230 V -20 % +15 %	1 x 230 V -20 % +15 %	3 x 460 V -25 % +10 %	3 x 460 V -25 % +10 %
Asymmetry of mains voltage	-	-	±3 % max.	
Frequency	50/60 Hz ±10 %			
Power loss 4, 8 (16) kHz	75/ 82 W	95/ 105 W	80/ 112 W	106/ 148 W
Braking chopper power electronics				
Peak braking power with internal braking resistor (only version CDA34 ..., Wx.x, BR)	-	-	-	1,6 kW at 360 Ω
Minimum ohmic resistance of an externally installed braking resistor	56 Ω	56 Ω	180 Ω	180 Ω
<p>1) Allowed currents at 460 V are documented on page 2-2 and 2-.</p> <p>2) For further data of currents see page 2-2 and 2-3.</p>				

Cooling method	CDA32.006, <u>C</u> x.x	CDA32.008, <u>C</u> x.x	CDA34.005, <u>C</u> x.x	Drawing
Mechanics				
Protection type	IP20			
Cooling air temperature	45°C (at 4kHz switching frequency of power stage)			
Weight	2.3 kg			
Mounting				
Single mounting	additional cooling via switching cabinet mounting plate (unvarnished) of 0.3 m ²			
End-to-end mounting of multiple inverter modules	only with accessories HS32.200 or HS32.2BR	only with accessories HS32.200 / HS34.2BR		
Dimensions				
BG2 [mm]				
W (width)	70			
H (height)	218			
D (depth)	145			
A	50			
C	230			
E	240			
D	∅ 4.8			
				vertical mounting, Cold Plate



Cooling method	CDA34.006, <u>W</u> x.x	Drawing
Mechanics		
Protection type	IP20	
Cooling air temperature	45°C (at 4kHz switching frequency of power stage)	
Weight	3.5 kg	
Dimensions		
BG2[mm]		
W (width)	70	
H (height)	240	
D (depth)	220	
A	40	
C	260	
E	270	
D	∅ 4.8	
		vertical mounting, Cold Plate



Version	Characteristics
CDA34.006, <u>W</u> x.x, <u>BR</u>	Internal braking resistor



Note: For appropriate heat sinks see page 3-10.