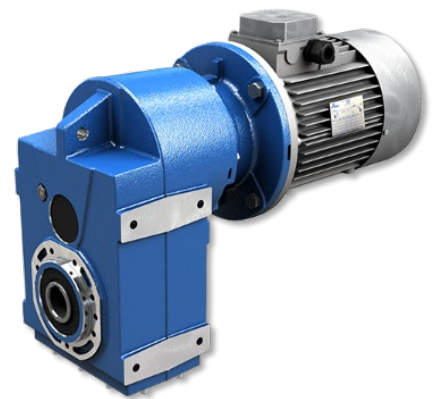


# TECHNICAL CATALOGUE



## SHAFT MOUNTED GEARED MOTORS

STANDARD **IEC**  
DIRECTIVE **ATEX** 

## 1. GENERAL INFORMATION

|            |                                   |           |
|------------|-----------------------------------|-----------|
| <b>1.1</b> | <b>ATEX</b> .....                 | <b>5</b>  |
| <b>1.2</b> | <b>SYMBOLS AND FORMULAS</b> ..... | <b>6</b>  |
| 1.2.1      | Symbols .....                     | <b>6</b>  |
| 1.2.2      | Formulas .....                    | <b>7</b>  |
| <b>1.3</b> | <b>PRODUCT SELECTION</b> .....    | <b>8</b>  |
| <b>1.4</b> | <b>SERVICE FACTOR</b> .....       | <b>10</b> |
| <b>1.5</b> | <b>INSTALLATION</b> .....         | <b>11</b> |

## 2. PRODUCT INFORMATION

|            |                                    |           |
|------------|------------------------------------|-----------|
| <b>2.1</b> | <b>DESIGN FEATURES</b> .....       | <b>12</b> |
| <b>2.2</b> | <b>TYOLOGY</b> .....               | <b>13</b> |
| 2.2.1      | Designation .....                  | <b>13</b> |
| 2.2.2      | Versions .....                     | <b>14</b> |
| 2.2.3      | Modularity .....                   | <b>14</b> |
| <b>2.3</b> | <b>MOUNTING POSITIONS</b> .....    | <b>16</b> |
| <b>2.4</b> | <b>THERMAL POWER</b> .....         | <b>17</b> |
| 2.4.1      | Informations .....                 | <b>17</b> |
| 2.4.2      | Check .....                        | <b>18</b> |
| <b>2.5</b> | <b>CRITICAL APPLICATIONS</b> ..... | <b>19</b> |
| 2.5.1      | Critical applications .....        | <b>19</b> |
| 2.5.2      | Informations .....                 | <b>19</b> |
| <b>2.6</b> | <b>PREDISPOSITION</b> .....        | <b>20</b> |
| <b>2.7</b> | <b>BEARINGS</b> .....              | <b>30</b> |
| <b>2.8</b> | <b>OVERHUNG LOAD</b> .....         | <b>31</b> |
| 2.8.1      | Informations .....                 | <b>31</b> |
| 2.8.2      | Input .....                        | <b>31</b> |
| 2.8.3      | Output .....                       | <b>33</b> |
| <b>2.9</b> | <b>LUBRICATION</b> .....           | <b>34</b> |
| 2.9.1      | Informations .....                 | <b>34</b> |

|             |                                 |           |
|-------------|---------------------------------|-----------|
| 2.9.2       | Lubricants .....                | <b>34</b> |
| 2.9.3       | Special lubricants .....        | <b>34</b> |
| 2.9.4       | Quantity .....                  | <b>36</b> |
| <b>2.10</b> | <b>MOMENTS OF INERTIA .....</b> | <b>37</b> |

### 3. DIMENSIONS

|            |                                 |           |
|------------|---------------------------------|-----------|
| <b>3.1</b> | <b>REDUCERS/GEARMOTOR .....</b> | <b>38</b> |
| 3.1.1      | S 052...123 .....               | <b>38</b> |
| 3.1.2      | CS 052...123 .....              | <b>40</b> |
| 3.1.3      | IS 052...123 .....              | <b>40</b> |
| <b>3.2</b> | <b>INPUT FLANGE .....</b>       | <b>43</b> |
| <b>3.3</b> | <b>ELECTRIC MOTORS .....</b>    | <b>44</b> |
| 3.3.1      | Electric motors .....           | <b>44</b> |
| 3.3.2      | Nominal power - kW .....        | <b>47</b> |
| <b>3.4</b> | <b>WEIGHT .....</b>             | <b>48</b> |
| <b>3.5</b> | <b>DIMENSIONAL KEYWAY .....</b> | <b>50</b> |

### 4. ACCESSORIES AND OPTIONS

|            |   |           |
|------------|---|-----------|
| <b>4.1</b> | <b>OUTPUT FLANGE .....</b>                | <b>51</b> |
| <b>4.2</b> | <b>LOW SPEED SHAFTS .....</b>             | <b>52</b> |
| <b>4.3</b> | <b>REACTION BOLT .....</b>                | <b>53</b> |
| <b>4.4</b> | <b>BACKSTOP DEVICE .....</b>              | <b>54</b> |
| <b>4.5</b> | <b>SHRINK DISC .....</b>                  | <b>55</b> |
| <b>4.6</b> | <b>REINFORCED OIL SEALS .....</b>         | <b>56</b> |
| <b>4.7</b> | <b>ASSEMBLING/DISASSEMBLING KIT .....</b> | <b>57</b> |
| <b>4.8</b> | <b>POSITION OF TERMINAL BOX .....</b>     | <b>58</b> |

### 5. PERFORMANCES

|     |                            |     |
|-----|----------------------------|-----|
| 5.1 | S GEARED MOTORS (50Hz)     | 59  |
| 5.2 | S GEARED MOTORS (60Hz)     | 143 |
| 5.3 | IS GEAR REDUCER - 1750 RPM | 204 |
| 5.4 | IS GEAR REDUCER - 1400 RPM | 209 |
| 5.5 | IS GEAR REDUCER - 1140 RPM | 214 |
| 5.6 | IS GEAR REDUCER - 900 RPM  | 219 |
| 5.7 | IS GEAR REDUCER - 700 RPM  | 224 |
| 5.8 | IS GEAR REDUCER - 500 RPM  | 229 |

## 6. SALES CONDITIONS

|     |                  |     |
|-----|------------------|-----|
| 6.1 | SALES CONDITIONS | 234 |
|-----|------------------|-----|



## ATEX Certification

The gear reducers described in this catalogue, defined as “ATEX”, were designed and manufactured in compliance with: Directive **ATEX 94/9/CE**.

If used by following the instructions set forth in the INSTALLATION AND USE INSTRUCTIONS Atex Manual (provided as an attachment to the supplied products), ATEX MOTOVARIO gear reducers can be used in one of the following environments:

### Group II

#### Category 2G and 2D

#### Zone 1/21 for gases and dusts (gas group IIB) with the following protection methods:

Protection against ignition:

EN13463-5 (c) constructional safety

EN13463-8 (k) liquid immersion

### Group II

#### Category 3G and 3D

#### Zone 2/22 for gases and dusts

Protection against ignition:

EN13463-5 (c) constructional safety

The room temperature envisaged for the application must range between -20 and + 40 °C (\*).

The products certified for use in Zone 1/21 can be used also in Zone 2/22. To identify the environment inside which the Atex certification of the special gear reducer is limited, refer to Atex Performance Tables.

The classified units are manufactured and marked to comply with the provisions of Directive **ATEX 94/9/CE**.

### UNINTENDED USE

It is strictly forbidden to use the gear reducer:

- inside an area with equipment category I (mines likely to become endangered by firedamp);
- inside an Area classified as more severe than specified on product label;
- at a room temperature not falling within the specified limits (\*);
- under conditions (P1, n1, M2) that, even individually, exceed the values specified inside Atex Performance Tables.

## 1.2.1 Symbols

|                            |                       | Input | Output |
|----------------------------|-----------------------|-------|--------|
| <b>P</b>                   | Power (kW)            | P1    | P2     |
| <b>Pr</b>                  | Requested power (kW)  | Pr1   | Pr2    |
| <b>Pn</b>                  | Nominal power (kW)    | Pn1   | Pn2    |
| <b>M</b>                   | Torque (Nm)           | M1    | M2     |
| <b>Mn</b>                  | Nominal torque (Nm)   |       | Mn2    |
| <b>Mr</b>                  | Requested torque (Nm) | Mr1   | Mr2    |
| <b>n</b>                   | Speed (RPM)           | n1    | n2     |
| <b>F</b>                   | Load (N)              |       |        |
| <b>Fr</b>                  | Radial load (N)       | Fr1   | Fr2    |
| <b>Fa</b>                  | Radial axial (N)      | Fa1   | Fa2    |
| <b>i</b>                   | Reduction ratio       |       |        |
| <b><math>\eta_d</math></b> | Dynamic efficiency    |       |        |
| <b>f.s.</b>                | Service factor        |       |        |
| <b>s</b>                   | Static                |       |        |
| <b>d</b>                   | Dynamic               |       |        |
| <b>c</b>                   | Calculated            |       |        |
| <b>max</b>                 | Maximum               |       |        |
| <b>min</b>                 | Minimum               |       |        |

## 1.2.2 Formulas

| REDUCER   |  |  |
|---|--|--|
| Starting or stopping time   | $t = v / a$  | [s]  |
| Velocity in rotary motion   | $v = \pi * d * n / 60$<br>$v = \omega * r$         | [m/s]                                      |
| Speed velocity<br>Angular velocity  | $n = 60 * v / (\pi * d)$<br>$\omega = v / r$       | [min <sup>-1</sup> ]<br>o [rpm]<br>[rad/s] |
| Acceleration or deceleration according to a starting / stopping time  | $a = v / t$  | [m/s <sup>2</sup> ]                        |
| Angular acceleration  | $\alpha = n / (9,55 * t)$<br>$\alpha = \omega / t$ | [rad/s <sup>2</sup> ]                      |
| Starting or stopping distance (according to acceleration / deceleration or angular velocity)                            | $s = a * t^2 / 2$<br>$s = v * t / 2$               | [m]  |
| Horizontal translation force  | $F = \mu * m * g$                                  |  |
| Vertical translation force (lifting)  | $F = m * g$  | [N]  |
| Inclined plane translation force  | $F = m * g (\mu * \cos\beta + \sin\beta)$          |  |
| m= mass [kg]; g= gravity acceleration [m/s <sup>2</sup> ]; $\mu$ = friction coefficient; $\beta$ = angle of inclination |  |  |
| Moment of inertia   | $J = m * v^2 / \omega^2$                           | [kgm <sup>2</sup> ]                        |
| Torque  | $M = F * d / 2$<br>$M = J * \omega / t$            | [Nm]                                       |

## MOTOR and GEARMOTOR

|  |  |       |
|--|--|-------|
| Starting time                                      | $t_a = (J_{ext} + J_m) * n_n / 9,55 + (M_s - M_r)$ | [s]   |
| Braking time                                       | $t_s = (J_{ext} + J_m) * n_n / 9,55 + (M_s + M_r)$ | [s]   |
| Motor rotation angle during starting               | $\varphi = n_n * t_a / 19,1$                       | [rad] |
| Motor rotation angle during braking                | $\varphi = n_n * t_s / 19,1$                       | [rad] |
| Power available at the shaft of single phase motor | $P = V * I * \eta * \cos\omega$                    | [W]   |
| Power available at the shaft of three phase motor  | $P = 1,73 * V * I * \eta * \cos\omega$             | [W]   |

## RUNNING at 60Hz

|                        |   |       |
|------------------------|---|-------|
| Speed velocity at 60Hz | $n_{60Hz} = 1,2 * n_{50Hz}$                 | [rpm] |
| Power at 60Hz          | $P_{60Hz} = P_{50Hz} * V_{60Hz} / V_{50Hz}$ | [kW]  |

If input voltage at 60 Hz ( $V_{60Hz}$ ) corresponds to winding voltage at 50 Hz ( $V_{50Hz}$ ), power doesn't change

$$P_{60Hz} = P_{50Hz}$$

If input voltage at 60 Hz ( $V_{60Hz}$ ) is 20% higher than winding voltage at 50 Hz ( $V_{50Hz}$ ), power increases by 20%

$$P_{60Hz} = 1,2 P_{50Hz}$$

|                        |   |      |
|------------------------|---|------|
| Torque at 60Hz         | $M_{60Hz} = M_{50Hz} * P_{60Hz} / (1,2 * P_{50Hz})$       | [Nm] |
| Service factor at 60Hz | $f.s._{60Hz} = f.s._{50Hz} * 1,175 * P_{50Hz} / P_{60Hz}$ | -    |

For correctly selecting a gear reducer or geared motor, several essential pieces of data are required:

1. The rotational input speed to the gear reducer (**n1**) and the rotational output speed (**n2**).

Through these two values it is possible to calculate the reduction ratio (**i**) of the gear reducer using the following formula:  $i=n1/n2$

2. The torque required by the application (**Mr2**).

The geared motor or gear reducer can be selected once this data is known.

This guide helps you to select the right product in just a few steps:

#### Geared motor selection

1. Determine the application's actual service factor (**s.f.**). This parameter depends on the type of load of the powered machine, the number of starts per hour and the hours of operation (refer to the "Service factor" paragraph)
2. Calculate the input power **Pr1** using the required torque value **Mr2**, the speed **n2** and dynamic efficiency value.  $Pr1=(Mr2*n2)/(9550*\eta d)$ . The dynamic efficiency value depends on the type of gear reducer and on the number of gear reduction stages. (To calculate the efficiency value see its page).
3. Consult the geared motor performance tables and identify a normalised power value **Pn1** exceeding the required power **Pr1**, such that:  $Pn1 \geq Pr1$
4. Once the suitable nominal power has been identified, select the geared motor capable of generating the rotational speed closest to the desired n2 value and with service factor s.f. greater or equal to that required by the application.



For ATEX product selection, use the service factor "f.s.ATEX".

In the geared motor selection tables the combinations include 2-pole, 4-pole and 6-pole motors powered at 50Hz; for different drive speeds refer to the nominal data provided for the gear reducers.

#### Gear reducer selection

1. Determine the application's service factor (**s.f.**) (consult to the "Service factor" paragraph on its page) .
2. Calculate the reduction ratio **i** from the requested output speed **n2** and from the input speed **n1**.  $i=n1/n2$
3. Calculate the torque **Mc2** for selecting the gear reducer through the torque required by the application **Mr2** and the service factor s.f.:  $Mc2=Mr2*(f.s.)$
4. Consult the Gear Reducer Performance tables looking for the reducer that, with the reduction ratio closer to the calculated one, has a nominal torque **M2** so that:  $M2 \geq Mc2$



For ATEX product Selection, refer to ATEX Gear Reducer Performance tables.

#### Checks

Once the gear reducer or geared motor has been selected, the following checks should be performed:

##### A. Thermal power

The gear reducer's thermal power must be equal to or greater than the installed mechanical power, or the power required by the application according to the indications contained in the section (refer to the "Thermal power" paragraph).

##### B. Maximum torque



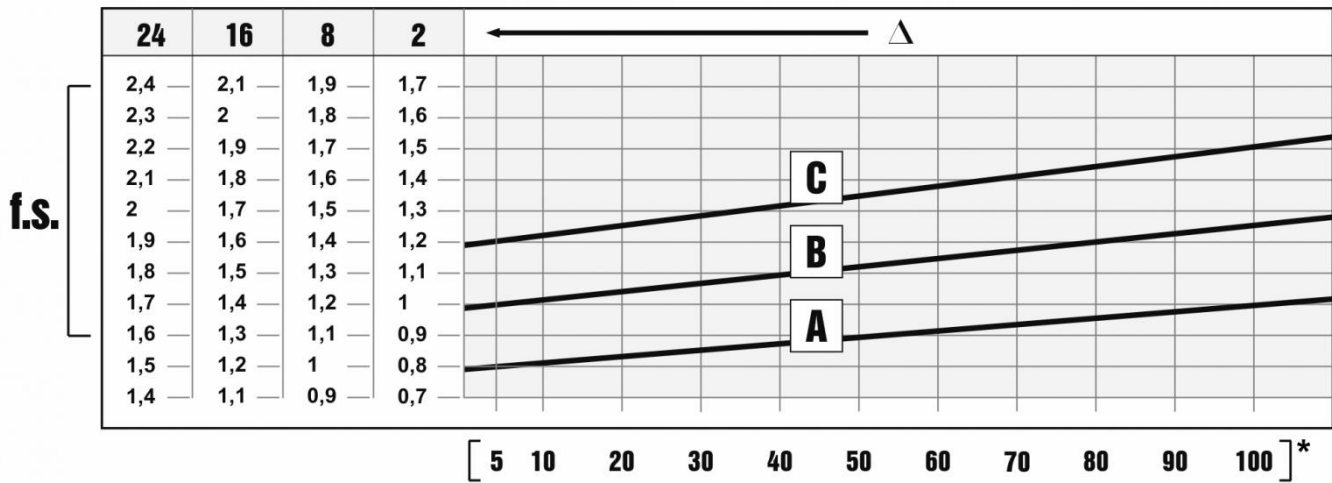
Generally, the maximum torque (peak instantaneous load) that can be applied to the gear reducer must not exceed 200% of the nominal torque M2 (ATEX - M2max).

#### C. Radial loads

1. Verify that the radial loads acting on the input and/or output shafts are within with the values indicated in the catalogue. If they exceed these values, increase the size of the gear reducer or modify the external load capacity. During the checking phase, it is important to remember that the values indicated in the catalogue refer to loads acting on the mid-point of the shaft protrusion, therefore, if the load is applied to a different position, appropriate formulas must be used to calculate the admissible load in the desired position (refer to the “Radial loads” paragraph).
  2. If accessory output shafts are present, make sure that the applied load is compatible with shaft size. If help is needed: contact MOTOVARIO TECHNICAL SERVICE.
- D. If an electric motor is going to be fitted to the selected gear reducer, check for its applicability by referring to the configuration table (see paragraph “Configurations”).



**(Atex version, only)** Consult catalogue to make sure that Version, Mounting and Accessories meet Atex certification requirements.



The service factor (f.s.) depends on the operating conditions the gear reducer is subjected to. The parameters that need to be taken into consideration to select the most adequate service factor correctly comprise:

- type of load of the operated machine : A - B - C
- length of daily operating time: hours/day ( $\Delta$ )
- start-up frequency: starts/hour (\*)

#### LOAD:

- **A** - uniform =  $f_a \leq 0,3$
- **B** - moderate shocks =  $f_a \leq 3$
- **C** - heavy shocks =  $f_a \leq 10$

#### $f_a = J_e/J_m$

- $J_e$  ( $\text{kgm}^2$ ) moment of reduced external inertia at the drive-shaft
- $J_m$  ( $\text{kgm}^2$ ) moment of inertia of motor

If  $f_a > 10$  call our Technical Service.

- Screw feeders for light materials, fans, assembly lines, conveyor belts for light materials, small mixers, lifts, cleaning machines, fillers, control machines.
- Winding devices, woodworking machine feeders, goods lifts, balancers, threading machines, medium mixers, conveyor belts for heavy materials, winches, sliding doors, fertilizer scrapers, packing machines, concrete mixers, crane mechanisms, milling cutters, folding machines, gear pumps.
- Mixers for heavy materials, shears, presses, centrifuges, rotating supports, winches and lifts for heavy materials, grinding lathes, stone mills, bucket elevators, drilling machines, hammer mills, cam presses, folding machines, turntables, tumbling barrels, vibrators, shredders.

**To install the gear reducer it is necessary to note the following recommendations:**

- Check the correct direction of rotation of the gear reducer output shaft before fitting the unit to the machine.
- In the case of particularly lengthy periods of storage (4/6 months), if the oil seal is not immersed in the lubricant inside the unit, it is recommended to change it since the rubber could stick to the shaft or may even have lost the elasticity it needs to function properly.
- Whenever possible, protect the gear reducer against solar radiation and bad weather.
- Ensure the motor cools correctly by ensuring good passage of air from the fan side.
- In the case of ambient temperatures  $< -5^{\circ}\text{C}$  or  $> +40^{\circ}\text{C}$  call the Technical Service.
- The various parts (pulleys, gear wheels, couplings, shafts, etc.) must be mounted on the solid or hollow shafts using special threaded holes or other systems that anyhow ensure correct operation without risking damage to the bearings or external parts of the units. Lubricate the surfaces in contact to avoid seizure or oxidation.
- Painting must definitely not go over rubber parts and the holes on the breather plugs, if any.
- For units equipped with oil plugs, replace the closed plug used for shipping with the special breather plug.
- Check the correct level of the lubricant through the indicator, if there is one.
- Starting must take place gradually, without immediately applying the maximum load.
- When there are parts, objects or materials under the motor drive that can be damaged by even limited spillage of oil, special protection should be fitted.

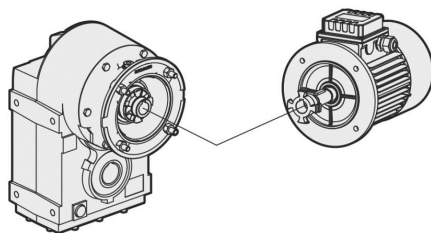
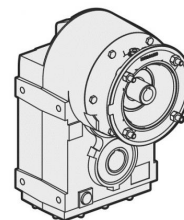
**Assembling motor on pam flange**

When the unit is supplied without motor, it is necessary to follow these recommendation to ensure the correct assembly of the electric motor. Check that the tolerances for the motor shaft and flange correspond to the "standard". Carefully clean the shaft, spigot and surfaces of the flange removing traces of paint and dirt, and confirm the key is fitted correctly. Fit the half coupling/sleeve to the motor shaft (see picture) taking care to ensure the motor shaft and bearings are not damaged by avoiding excessive force and where necessary using assembly equipment. Place the couplings elastic element onto the motor half coupling and position the motor up to the gear unit ensuring the coupling element is aligned with the driven half coupling. Complete the assembly using the fixing bolts.

Key-ways with tightened tolerances.



In case of ATEX units, fit gasket (to be requested to MOTOVARIO SpA) between PAM flange and motor.

**Flexible joint****PAM Sleeve**

Motovario products are supplied with the following surface treatment features:

**Die-cast aluminium alloy cases for gears**

Die-cast materials undergo the following surface cleaning operations:

- De-burring by means of a mechanically operated shearing system.
- Accurate shot-peening.
- Painting.
- Washing and passivation.

**Grey-coloured cast-iron cases for gears**

- Die-cast materials are always painted.

**Painting specifications:**

- Orange-peel blue epoxy-polyester RAL 5010. Polyester resin based heat-hardening powders, altered with epoxy resins.

**Mechanical properties**

- Tests carried out onto degreased Unichim white lattens (film thickness: 60 microns) comply with the following specifications: adherence (ISO2409).

**Heat resistance**

- 24 HOURS AT 150°C.

**Corrosion strength**

- ASTM B 117/97 salt fog from 100 to 500 hours depending on the support's preliminary treatment.

**Performance:**

- Loading capacity in accordance with DIN 3990, ISO 6336, AGMA 2101, ISO 10300, DIN 3991, ISO 281, DIN 743.

**Dynamic efficiency  $\eta_d$ :**

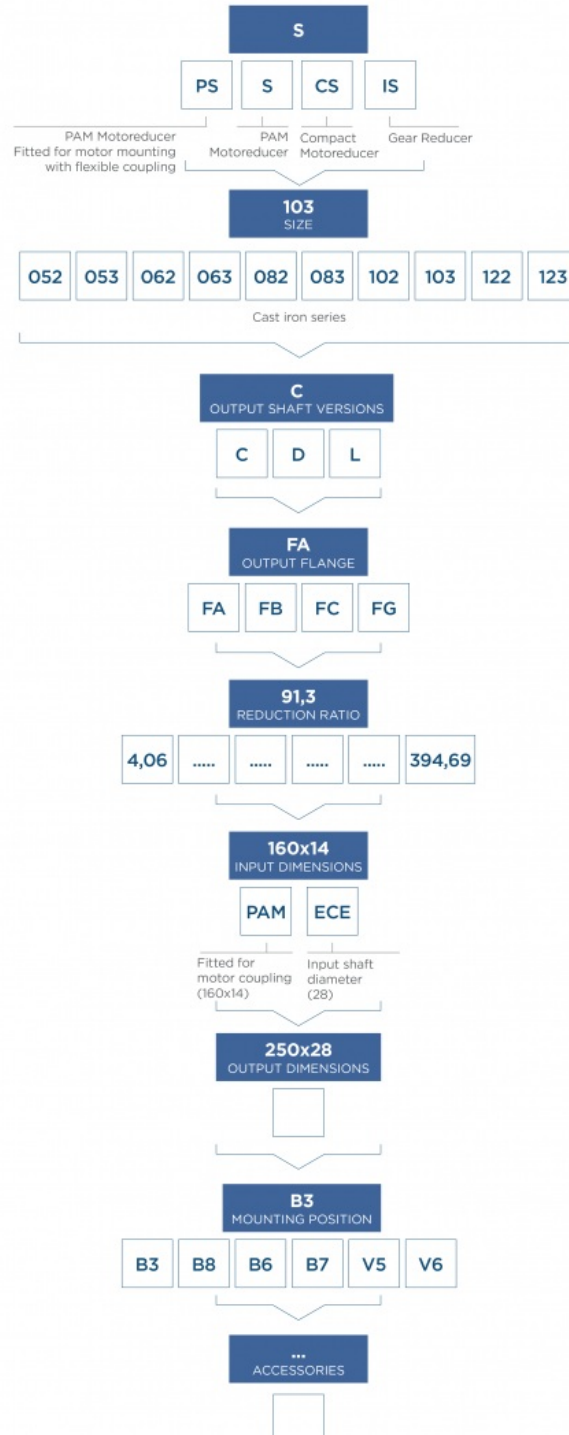
- The operating efficiency is the ratio between the output power P2 and the power absorbed by the gear reducer P1:  $\eta_d = P2/P1$ .

S-range shaft-mounted reducers have an average value equal to:

S..2 stages = 0,96

S..3 stages = 0,94

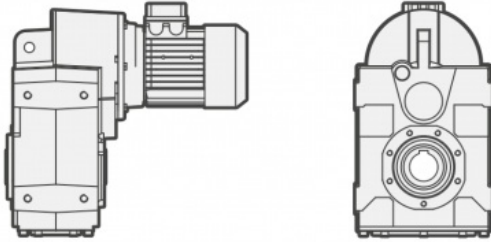
## 2.2.1 Designation



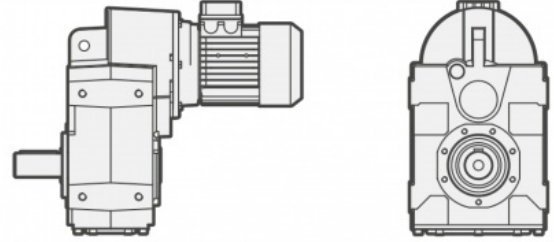
### 2.2.2 Versions

S... C - S... D - S... L

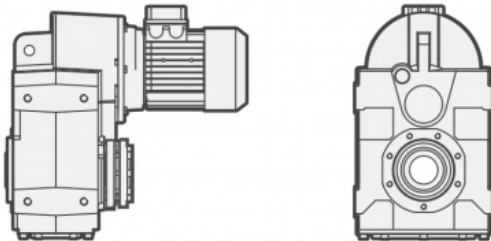
S... C FOOT-FLANGE MOUNTING / HOLLOW SHAFT



S... D FOOT-FLANGE MOUNTING / D SOLID SHAFT



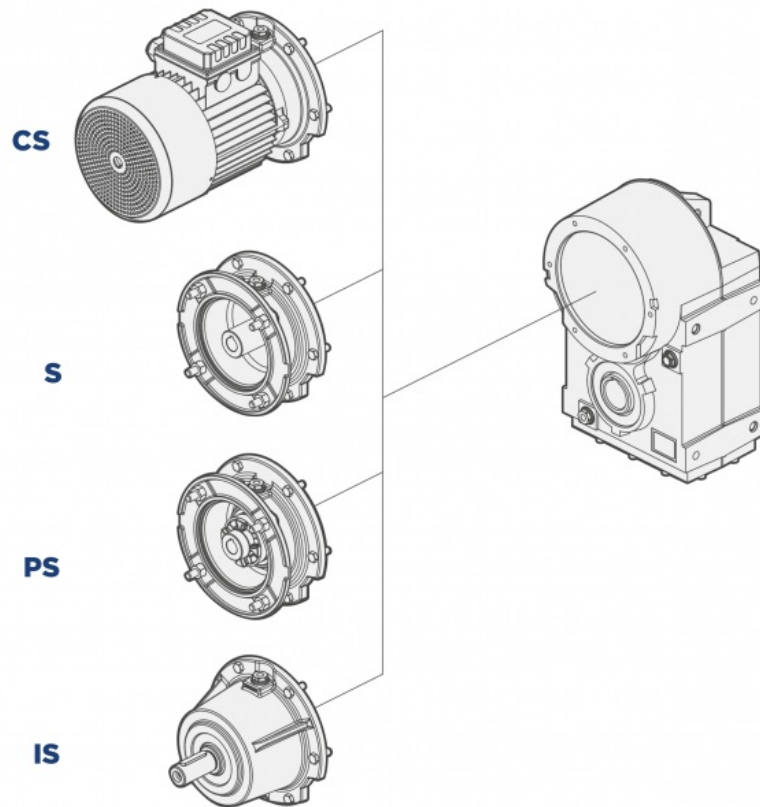
S... L FOOT-FLANGE MOUNTING / SHRINK DISC SHAFT



ATEX GEAR REDUCERS  
SL VERSION IS AVAILABLE FOR 3G/3D CERTIFICATION ONLY

### 2.2.3 Modularity

#### S GREY CAST IRON SERIES



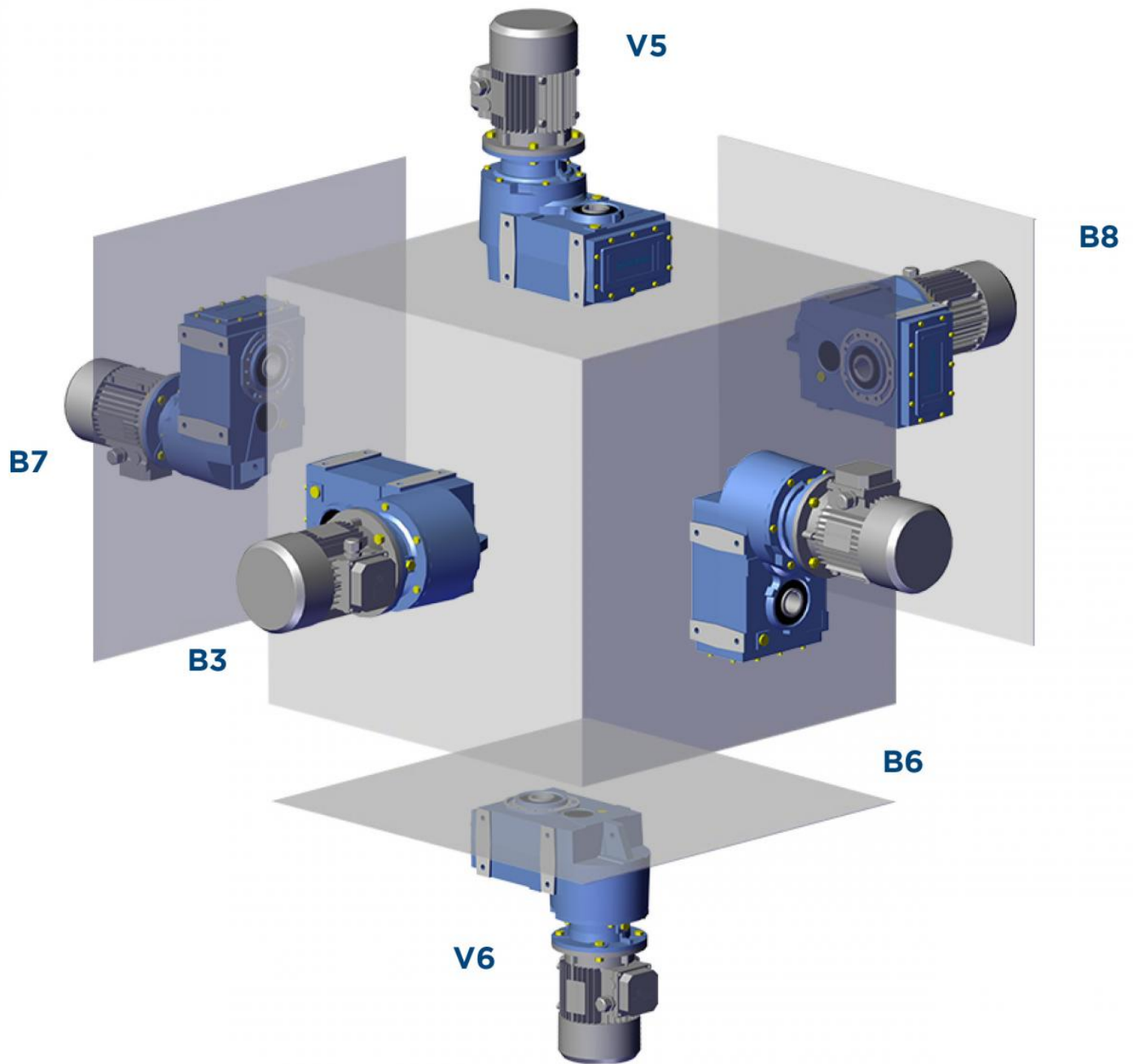
**CS**  
Compact electric motor versions

**PS**  
Fitted for motor mounting  
with flexible coupling

**S**  
Fitted for motor coupling version  
(PAM)

**IS**  
Input shaft versions

## 2.3 MOUNTING POSITIONS





### 2.4.1 Informations

The table below lists the nominal thermal power values expressed in kW, in the following reference conditions:

- mounting position B3
- continuous operation at input speed  $\leq 1,500$  rpm
- ambient temperature  $25^{\circ}\text{C}$
- sea level altitude
- air speed near the gear reducer  $\geq 1\text{m/s}$
- absence of external radial and/or axial loads

| 1500rpm |          |
|---------|----------|
|         | Pth [kW] |
| S052    | 7        |
| S062    | 9,5      |
| S082    | 15,5     |
| S102    | 20,5     |
| S122    | 34,5     |

**Applying a power level not exceeding Pth, at the above, mentioned reference conditions, guarantees the correct lubrication and efficient operation of the gear reducer.**

NOTE: checking the thermal power of gear reducer versions with three reduction stages is unnecessary, as the thermal thresholds are not reached.

## 2.4.2 Check

### Application check

Except for continuous operating times below two (2) hours and successive pauses capable of bringing the gear reducer back to ambient temperature, for each application it is advisable to verify the gear reducer's thermal limit according to the following formula:  $P_m < P_{th} * F_c * F_v * F_a$ , where:

- $P_m$  = input power to the gear reducer at 1400 rpm (4-pole motors)
- $P_{th}$  = thermal power at the reference conditions (see above table)
- $F_c$  = ambient and operating temperature correction factor
- $F_v$  = ventilation correction factor
- $F_a$  = altitude correction factor

The correction factors ( $F_c$ ) refer to different operating conditions compared to the reference conditions, and are provided by the following ISO14179 tables:

|                        | F <sub>c</sub> | Duty per hour of operation % |      |      |      |      |
|------------------------|----------------|------------------------------|------|------|------|------|
|                        |                | 100                          | 80   | 70   | 40   | 20   |
| Ambient temperature °C | 10             | 1,15                         | 1,21 | 1,32 | 1,55 | 2,07 |
|                        | 18             | 1,07                         | 1,12 | 1,23 | 1,44 | 1,93 |
|                        | 25             | 1,00                         | 1,05 | 1,15 | 1,35 | 1,80 |
|                        | 30             | 0,93                         | 0,98 | 1,07 | 1,26 | 1,67 |
|                        | 40             | 0,83                         | 0,87 | 0,95 | 1,12 | 1,49 |
|                        | 43             | 0,75                         | 0,79 | 0,86 | 1,01 | 1,35 |
|                        | 50             | 0,67                         | 0,70 | 0,77 | 0,90 | 1,21 |

| Ventilation correction factor                        | F <sub>v</sub> |
|--|----------------|
| Stagnant air (<0,5 m/s)                              | 0.75           |
| Indoor installation with slight ventilation          | 1              |
| Indoor installation with good ventilation (>1,4 m/s) | 1.4            |
| Installazione all'aperto (>3,7 m/s)                  | 1.9            |

| Altitude correction factor (m) | F <sub>a</sub> |
|--------------------------------|----------------|
| 0*                             | 1              |
| 750                            | 0,95           |
| 1500                           | 0,9            |
| 2250                           | 0,85           |
| 3000                           | 0,81           |

\* Sea level

In case of operation at input speeds exceeding 2000 rpm, or ambient temperatures greater than 40°C, it is advisable to contact our technical department.

### 2.5.1 Critical applications

| S                | 050 | 060 | 080 | 100 | 125 |
|------------------|-----|-----|-----|-----|-----|
| 2000 < n1 < 3000 | ✓   | ✓   | ✓   | B   | B   |
| V6               | B   | B   | B   | B   | B   |
| n1 > 3000        | B   | B   | B   | A   | A   |
| ...L : V5 - V6   | B   | B   | B   | B   | B   |
| (*) ...L         | B   | B   | B   | B   | B   |

✓ Verified application

A. Application not recommended

B. Check the application and/or call our technical service

(\*) The shrink disc is designed only to transmit the output torque.

In case of mounting position with radial and/or axial loads, please contact the technical support.

### 2.5.2 Informations

The performance given in the catalogue correspond to mounting position B3 or similar, when the first stage is not entirely immersed in oil. For other mounting positions and/or particular input speeds, refer to the tables that highlight different critical situations for each size of gear reducer. It is also necessary to take due consideration of and carefully assess the following applications by calling our Technical Service:

- To avoid the use as multiplier.
- Use in services that could be hazardous for people if the gear reducer fails.
- Applications with especially high inertia.
- Use as a lifting winch.
- Applications with high dynamic strain on the case of the gear reducer.
- In places with T° under -5°C or over 40°C.
- Use in chemically aggressive environments.
- Use in a salty environment.
- Mounting positions not envisaged in the catalogue.
- Use in radioactive environments.
- Use in environments pressures other than atmospheric pressure.

Avoid applications where even partial immersion of the reducer is required.

The maximum torque (\*) that the reducer can support must not exceed two times the nominal torque (f.s.=1) stated in the performance tables.

(\*) intended for momentary overloads due to starting at full load, braking, shocks or other causes, particularly those that are dynamic.

## 2.6 PREDISPOSITION

**B11** = Compact electric motor versions.

These tables report all possible dimensions. Please verify service factor.

For motor size 063 the PB version does not exist.



NOTE Atex geared motors (versions with compact electric motor B11): available for 3G/3D certification, only.

| CS - S - PS 052 |        |        |        |         |
|-----------------|--------|--------|--------|---------|
| i               | 071    | 080    | 090    | 100-112 |
| 8,63            | B5-B11 | B5-B11 | B5-B11 | B5-B11  |
| 11,14           | B5-B11 | B5-B11 | B5-B11 | B5-B11  |
| 12,00           | B5-B11 | B5-B11 | B5-B11 | B5-B11  |
| 13,66           | B5-B11 | B5-B11 | B5-B11 | B5-B11  |
| 15,27           | B5-B11 | B5-B11 | B5-B11 | B5-B11  |
| 16,29           | B5-B11 | B5-B11 | B5-B11 | B5-B11  |
| 18,63           | B5-B11 | B5-B11 | B5-B11 | B5-B11  |
| 19,73           | B5-B11 | B5-B11 | B5-B11 | B5-B11  |
| 21,04           | B5-B11 | B5-B11 | B5-B11 | B5-B11  |
| 21,53           | B5-B11 | B5-B11 | B5-B11 | B5-B11  |
| 24,07           | B5-B11 | B5-B11 | B5-B11 | B5-B11  |
| 25,20           | B5-B11 | B5-B11 | B5-B11 | B5-B11  |
| 25,79           | B5-B11 | B5-B11 | B5-B11 | B5-B11  |
| 27,81           | B5-B11 | B5-B11 | B5-B11 | B5-B11  |
| 30,00           | B5-B11 | B5-B11 | B5-B11 |         |
| 32,55           | B5-B11 | B5-B11 | B5-B11 | B5-B11  |
| 33,00           | B5-B11 | B5-B11 | B5-B11 |         |
| 34,09           | B5-B11 | B5-B11 | B5-B11 | B5-B11  |
| 36,55           | B5-B11 | B5-B11 | B5-B11 |         |
| 38,75           | B5-B11 | B5-B11 | B5-B11 |         |
| 39,90           | B5-B11 | B5-B11 | B5-B11 | B5-B11  |
| 42,63           | B5-B11 | B5-B11 | B5-B11 |         |
| 46,00           | B5-B11 | B5-B11 | B5-B11 |         |
| 47,20           | B5-B11 | B5-B11 | B5-B11 |         |
| 52,25           | B5-B11 | B5-B11 | B5-B11 |         |
| 57,86           | B5-B11 | B5-B11 | B5-B11 |         |
| 59,42           | B5-B11 | B5-B11 | B5-B11 |         |
| 72,83           | B5-B11 | B5-B11 | B5-B11 |         |

## 2.6 PREDISPOSITION

| <b>CS - S - PS 053</b> |            |            |            |            |
|------------------------|------------|------------|------------|------------|
| <b>i</b>               | <b>063</b> | <b>071</b> | <b>080</b> | <b>090</b> |
| <b>36,50</b>           | B5-B11     | B5-B11     | B5-B11     | B5-B11     |
| <b>47,14</b>           | B5-B11     | B5-B11     | B5-B11     | B5-B11     |
| <b>57,79</b>           | B5-B11     | B5-B11     | B5-B11     | B5-B11     |
| <b>63,74</b>           | B5-B11     | B5-B11     | B5-B11     | B5-B11     |
| <b>78,14</b>           | B5-B11     | B5-B11     | B5-B11     | B5-B11     |
| <b>74,20</b>           | B5-B11     | B5-B11     | B5-B11     | B5-B11     |
| <b>95,84</b>           | B5-B11     | B5-B11     | B5-B11     | B5-B11     |
| <b>117,48</b>          | B5-B11     | B5-B11     | B5-B11     | B5-B11     |
| <b>137,45</b>          | B5-B11     | B5-B11     | B5-B11     | B5-B11     |
| <b>177,55</b>          | B5-B11     | B5-B11     | B5-B11     | B5-B11     |
| <b>198,45</b>          | B5-B11     | B5-B11     | B5-B11     |            |
| <b>217,64</b>          | B5-B11     | B5-B11     | B5-B11     | B5-B11     |
| <b>256,33</b>          | B5-B11     | B5-B11     | B5-B11     |            |
| <b>314,21</b>          | B5-B11     | B5-B11     | B5-B11     |            |

## 2.6 PREDISPOSITION

| CS - S - PS 062 |        |        |        |         |
|-----------------|--------|--------|--------|---------|
| i               | 071    | 080    | 090    | 100-112 |
| 8,00            |        | B5-B11 | B5-B11 | B5-B11  |
| 8,92            |        | B5-B11 | B5-B11 | B5-B11  |
| 9,55            |        | B5-B11 | B5-B11 | B5-B11  |
| 10,65           |        | B5-B11 | B5-B11 | B5-B11  |
| 11,71           |        | B5-B11 | B5-B11 | B5-B11  |
| 13,06           |        | B5-B11 | B5-B11 | B5-B11  |
| 13,36           |        | B5-B11 | B5-B11 | B5-B11  |
| 15,94           |        | B5-B11 | B5-B11 | B5-B11  |
| 16,16           |        | B5-B11 | B5-B11 | B5-B11  |
| 19,29           |        | B5-B11 | B5-B11 | B5-B11  |
| 19,55           |        | B5-B11 | B5-B11 | B5-B11  |
| 23,18           | B5-B11 | B5-B11 | B5-B11 | B5-B11  |
| 23,75           | B5-B11 | B5-B11 | B5-B11 | B5-B11  |
| 25,14           | B5-B11 | B5-B11 | B5-B11 | B5-B11  |
| 27,66           | B5-B11 | B5-B11 | B5-B11 | B5-B11  |
| 30,00           | B5-B11 | B5-B11 | B5-B11 | B5-B11  |
| 33,93           | B5-B11 | B5-B11 | B5-B11 | B5-B11  |
| 36,57           | B5-B11 | B5-B11 | B5-B11 | B5-B11  |
| 39,38           | B5-B11 | B5-B11 | B5-B11 | B5-B11  |
| 43,64           | B5-B11 | B5-B11 | B5-B11 | B5-B11  |
| 46,10           | B5-B11 | B5-B11 | B5-B11 |         |
| 48,30           | B5-B11 | B5-B11 | B5-B11 | B5-B11  |
| 53,53           | B5-B11 | B5-B11 | B5-B11 | B5-B11  |
| 55,00           | B5-B11 | B5-B11 | B5-B11 |         |
| 67,47           | B5-B11 | B5-B11 | B5-B11 |         |

## 2.6 PREDISPOSITION

| <b>CS - S - PS 063</b> |            |            |            |
|------------------------|------------|------------|------------|
| <b>i</b>               | <b>071</b> | <b>080</b> | <b>090</b> |
| <b>33,57</b>           | B5-B11     | B5-B11     | B5-B11     |
| <b>37,77</b>           | B5-B11     | B5-B11     | B5-B11     |
| <b>40,05</b>           | B5-B11     | B5-B11     | B5-B11     |
| <b>49,13</b>           | B5-B11     | B5-B11     | B5-B11     |
| <b>55,29</b>           | B5-B11     | B5-B11     | B5-B11     |
| <b>58,72</b>           | B5-B11     | B5-B11     | B5-B11     |
| <b>65,85</b>           | B5-B11     | B5-B11     | B5-B11     |
| <b>68,25</b>           | B5-B11     | B5-B11     | B5-B11     |
| <b>73,63</b>           | B5-B11     | B5-B11     | B5-B11     |
| <b>81,43</b>           | B5-B11     | B5-B11     | B5-B11     |
| <b>99,89</b>           | B5-B11     | B5-B11     | B5-B11     |
| <b>126,43</b>          | B5-B11     | B5-B11     | B5-B11     |
| <b>150,85</b>          | B5-B11     | B5-B11     | B5-B11     |
| <b>182,53</b>          | B5-B11     | B5-B11     | B5-B11     |
| <b>185,05</b>          | B5-B11     | B5-B11     | B5-B11     |
| <b>217,79</b>          | B5-B11     |            |            |
| <b>267,16</b>          | B5-B11     |            |            |

## 2.6 PREDISPOSITION

| CS - S - PS 082 |        |        |         |        |
|-----------------|--------|--------|---------|--------|
| i               | 080    | 090    | 100-112 | 132    |
| 7,34            | B5-B11 | B5-B11 | B5-B11  | B5-B11 |
| 8,06            | B5-B11 | B5-B11 | B5-B11  | B5-B11 |
| 9,94            | B5-B11 | B5-B11 | B5-B11  | B5-B11 |
| 11,61           | B5-B11 | B5-B11 | B5-B11  | B5-B11 |
| 12,75           | B5-B11 | B5-B11 | B5-B11  | B5-B11 |
| 14,04           | B5-B11 | B5-B11 | B5-B11  | B5-B11 |
| 15,43           | B5-B11 | B5-B11 | B5-B11  | B5-B11 |
| 15,73           | B5-B11 | B5-B11 | B5-B11  | B5-B11 |
| 17,29           | B5-B11 | B5-B11 | B5-B11  | B5-B11 |
| 19,03           | B5-B11 | B5-B11 | B5-B11  | B5-B11 |
| 20,14           | B5-B11 | B5-B11 | B5-B11  | B5-B11 |
| 22,13           | B5-B11 | B5-B11 | B5-B11  | B5-B11 |
| 24,00           | B5-B11 | B5-B11 | B5-B11  | B5-B11 |
| 26,05           | B5-B11 | B5-B11 | B5-B11  | B5-B11 |
| 27,29           | B5-B11 | B5-B11 | B5-B11  | B5-B11 |
| 28,67           | B5-B11 | B5-B11 | B5-B11  | B5-B11 |
| 29,60           | B5-B11 | B5-B11 | B5-B11  | B5-B11 |
| 31,78           | B5-B11 | B5-B11 | B5-B11  | B5-B11 |
| 34,91           | B5-B11 | B5-B11 | B5-B11  | B5-B11 |
| 35,50           | B5-B11 | B5-B11 | B5-B11  |        |
| 40,05           | B5-B11 | B5-B11 | B5-B11  | B5-B11 |
| 43,05           | B5-B11 | B5-B11 | B5-B11  | B5-B11 |
| 50,25           | B5-B11 | B5-B11 | B5-B11  |        |
| 54,27           | B5-B11 | B5-B11 | B5-B11  |        |
| 61,98           | B5-B11 | B5-B11 | B5-B11  |        |



## 2.6 PREDISPOSITION

| CS - S - PS 083 |        |        |        |         |
|-----------------|--------|--------|--------|---------|
| i               | 071    | 080    | 090    | 100-112 |
| 67,52           |        | B5-B11 | B5-B11 | B5-B11  |
| 74,18           |        | B5-B11 | B5-B11 | B5-B11  |
| 81,71           |        | B5-B11 | B5-B11 | B5-B11  |
| 91,49           |        | B5-B11 | B5-B11 | B5-B11  |
| 100,62          |        | B5-B11 | B5-B11 | B5-B11  |
| 117,17          | B5-B11 | B5-B11 | B5-B11 |         |
| 128,73          | B5-B11 | B5-B11 | B5-B11 |         |
| 136,34          | B5-B11 | B5-B11 | B5-B11 | B5-B11  |
| 158,76          | B5-B11 | B5-B11 | B5-B11 |         |
| 184,88          | B5-B11 | B5-B11 | B5-B11 |         |
| 203,11          | B5-B11 | B5-B11 | B5-B11 |         |
| 205,34          | B5-B11 | B5-B11 | B5-B11 | B5-B11  |
| 226,04          | B5-B11 | B5-B11 | B5-B11 | B5-B11  |
| 250,50          | B5-B11 | B5-B11 | B5-B11 |         |
| 266,13          | B5-B11 | B5-B11 | B5-B11 |         |
| 292,36          | B5-B11 | B5-B11 | B5-B11 |         |
| 315,73          | B5-B11 | B5-B11 | B5-B11 |         |
| 360,58          | B5-B11 | B5-B11 | B5-B11 |         |

## 2.6 PREDISPOSITION

| CS - S - PS 102 |        |        |         |        |     |
|-----------------|--------|--------|---------|--------|-----|
| i               | 080    | 090    | 100-112 | 132    | 160 |
| 8,06            | B5-B11 | B5-B11 | B5-B11  | B5-B11 | B5  |
| 8,85            | B5-B11 | B5-B11 | B5-B11  | B5-B11 | B5  |
| 10,88           | B5-B11 | B5-B11 | B5-B11  | B5-B11 | B5  |
| 12,75           | B5-B11 | B5-B11 | B5-B11  | B5-B11 | B5  |
| 13,99           | B5-B11 | B5-B11 | B5-B11  | B5-B11 | B5  |
| 15,43           | B5-B11 | B5-B11 | B5-B11  | B5-B11 |     |
| 17,21           | B5-B11 | B5-B11 | B5-B11  | B5-B11 | B5  |
| 19,00           | B5-B11 | B5-B11 | B5-B11  | B5-B11 |     |
| 20,83           | B5-B11 | B5-B11 | B5-B11  | B5-B11 |     |
| 22,13           | B5-B11 | B5-B11 | B5-B11  | B5-B11 |     |
| 24,28           | B5-B11 | B5-B11 | B5-B11  | B5-B11 |     |
| 26,33           | B5-B11 | B5-B11 | B5-B11  | B5-B11 |     |
| 29,87           | B5-B11 | B5-B11 | B5-B11  | B5-B11 |     |
| 32,40           | B5-B11 | B5-B11 | B5-B11  | B5-B11 |     |
| 34,91           | B5-B11 | B5-B11 | B5-B11  | B5-B11 |     |
| 38,30           | B5-B11 | B5-B11 | B5-B11  | B5-B11 |     |
| 42,53           | B5-B11 | B5-B11 | B5-B11  | B5-B11 |     |
| 44,00           | B5-B11 | B5-B11 | B5-B11  |        |     |
| 47,13           | B5-B11 | B5-B11 | B5-B11  | B5-B11 |     |
| 50,25           | B5-B11 | B5-B11 | B5-B11  |        |     |
| 55,14           | B5-B11 | B5-B11 | B5-B11  |        |     |
| 59,40           | B5-B11 | B5-B11 | B5-B11  |        |     |
| 67,84           | B5-B11 | B5-B11 | B5-B11  |        |     |

## 2.6 PREDISPOSITION

| CS - S - PS 103 |        |        |        |         |
|-----------------|--------|--------|--------|---------|
| i               | 071    | 080    | 090    | 100-112 |
| 74,18           |        | B5-B11 | B5-B11 | B5-B11  |
| 81,39           |        | B5-B11 | B5-B11 | B5-B11  |
| 89,77           |        | B5-B11 | B5-B11 | B5-B11  |
| 100,15          |        | B5-B11 | B5-B11 | B5-B11  |
| 110,55          | B5-B11 | B5-B11 | B5-B11 | B5-B11  |
| 121,29          | B5-B11 | B5-B11 | B5-B11 | B5-B11  |
| 128,73          | B5-B11 | B5-B11 | B5-B11 | B5-B11  |
| 141,24          | B5-B11 | B5-B11 | B5-B11 | B5-B11  |
| 173,78          | B5-B11 | B5-B11 | B5-B11 | B5-B11  |
| 188,51          | B5-B11 | B5-B11 | B5-B11 | B5-B11  |
| 203,11          | B5-B11 | B5-B11 | B5-B11 | B5-B11  |
| 222,85          | B5-B11 | B5-B11 | B5-B11 | B5-B11  |
| 224,76          | B5-B11 | B5-B11 | B5-B11 | B5-B11  |
| 274,20          | B5-B11 | B5-B11 | B5-B11 | B5-B11  |
| 280,89          | B5-B11 | B5-B11 | B5-B11 |         |
| 292,36          | B5-B11 | B5-B11 | B5-B11 |         |
| 320,79          | B5-B11 | B5-B11 | B5-B11 |         |
| 345,60          | B5-B11 | B5-B11 | B5-B11 |         |
| 394,69          | B5-B11 | B5-B11 | B5-B11 |         |

## 2.6 PREDISPOSITION

| CS - S - PS 122 |        |        |         |        |     |     |     |
|-----------------|--------|--------|---------|--------|-----|-----|-----|
| i               | 080    | 090    | 100-112 | 132    | 160 | 180 | 200 |
| 8,48            |        |        |         |        | B5  | B5  | B5  |
| 9,30            |        |        |         |        | B5  | B5  | B5  |
| 10,24           |        |        |         |        | B5  | B5  | B5  |
| 11,42           |        |        |         |        | B5  | B5  | B5  |
| 12,63           |        |        |         |        | B5  | B5  | B5  |
| 13,84           |        |        |         |        | B5  | B5  | B5  |
| 16,99           |        |        |         |        | B5  | B5  | B5  |
| 21,25           |        |        | B5-B11  | B5-B11 | B5  | B5  |     |
| 22,37           |        |        | B5-B11  | B5-B11 | B5  | B5  |     |
| 23,29           |        |        | B5-B11  | B5-B11 | B5  | B5  |     |
| 26,15           |        |        | B5-B11  | B5-B11 | B5  | B5  |     |
| 28,60           |        |        | B5-B11  | B5-B11 | B5  | B5  |     |
| 30,51           |        |        | B5-B11  | B5-B11 | B5  | B5  |     |
| 32,76           |        |        | B5-B11  | B5-B11 | B5  | B5  |     |
| 33,44           |        |        | B5-B11  | B5-B11 | B5  | B5  |     |
| 35,20           |        |        | B5-B11  | B5-B11 | B5  | B5  |     |
| 41,07           |        |        | B5-B11  | B5-B11 | B5  | B5  |     |
| 43,60           | B5-B11 | B5-B11 | B5-B11  | B5-B11 |     |     |     |
| 44,63           | B5-B11 | B5-B11 | B5-B11  | B5-B11 |     |     |     |
| 49,04           | B5-B11 | B5-B11 | B5-B11  | B5-B11 |     |     |     |
| 53,75           | B5-B11 | B5-B11 | B5-B11  | B5-B11 |     |     |     |
| 66,00           | B5-B11 | B5-B11 | B5-B11  | B5-B11 |     |     |     |

## 2.6 PREDISPOSITION

| CS - S - PS 123 |        |        |         |        |
|-----------------|--------|--------|---------|--------|
| i               | 080    | 090    | 100-112 | 132    |
| 64,84           |        |        | B5-B11  | B5-B11 |
| 71,07           |        |        | B5-B11  | B5-B11 |
| 78,46           |        |        | B5-B11  | B5-B11 |
| 87,27           |        |        | B5-B11  | B5-B11 |
| 105,91          |        |        | B5-B11  | B5-B11 |
| 112,52          | B5-B11 | B5-B11 | B5-B11  | B5-B11 |
| 123,33          | B5-B11 | B5-B11 | B5-B11  | B5-B11 |
| 130,04          | B5-B11 | B5-B11 | B5-B11  | B5-B11 |
| 133,78          | B5-B11 | B5-B11 | B5-B11  | B5-B11 |
| 151,43          | B5-B11 | B5-B11 | B5-B11  | B5-B11 |
| 177,53          | B5-B11 | B5-B11 | B5-B11  | B5-B11 |
| 194,59          | B5-B11 | B5-B11 | B5-B11  | B5-B11 |
| 215,60          | B5-B11 | B5-B11 | B5-B11  | B5-B11 |
| 238,93          | B5-B11 | B5-B11 | B5-B11  | B5-B11 |
| 255,54          | B5-B11 | B5-B11 | B5-B11  |        |
| 280,10          | B5-B11 | B5-B11 | B5-B11  |        |
| 301,16          | B5-B11 | B5-B11 | B5-B11  |        |
| 343,93          | B5-B11 | B5-B11 | B5-B11  |        |

## 2.7 BEARINGS

| S        | S050     |            | S060     |            | S080     |                    |
|----------|----------|------------|----------|------------|----------|--------------------|
| Versions | Standard | On request | Standard | On request | Standard | On request         |
| C        | 1        | /          | 1        | 2          | 1 (Ø40)  | 2 (Ø40)<br>1 (Ø45) |
| D        | 1        | /          | 1        | /          | 2        | /                  |
| L        | 1        | /          | 1        | /          | 1        | /                  |

| S        | S100     |            | S125     |            |
|----------|----------|------------|----------|------------|
| Versions | Standard | On request | Standard | On request |
| C        | 1        | 2          | 1        | 2          |
| D        | 2        | /          | 2        | /          |
| L        | 1        | /          | 1        | /          |

1 - Ball Bearing

2 - Roller bearings

/ - Not available

### 2.8.1 Informations

The value of the admissible radial load (N) is given in the tables relating to the performance of the gear reducer at issue. It is related to the load applied on the centre line of the shaft and in the most unfavourable conditions of angle of application and direction of rotation.

The maximum admissible axial loads are 1/5 of the value of the given radial load when they are applied in combination with the radial load.

The tables relating to the output shafts give the maximum admissible value. This value must never be exceeded since it relates to the strength of the case.

Particular conditions of radial load higher than the limits of the catalogue may occur. In this case, call our Technical Service and provide details on the application: direction of the load, direction of rotation of the shaft, type of service. In case of double extension shafts with radial load applied on both ends, the max. admissible radial loads must be defined according to the specific running conditions, in this case call our Technical Service.

The radial load on the shaft is calculated with the following formula:  $F_{re} = (2000 * M * f_z) / D \leq Fr1 \text{ or } Fr2$

- **F<sub>re</sub>** (N) Resulting radial load
- **M** (Nm) Torque on the shaft
- **D** (mm) Diameter of the transmission member mounted on the shaft
- **Fr** (N) Value of the maximum admitted radial load
- **Fr1-Fr2** (see relative tables)
- **f<sub>z</sub>** = 1,1 gear pinion

1,4 chain wheel

1,7 v-pulley

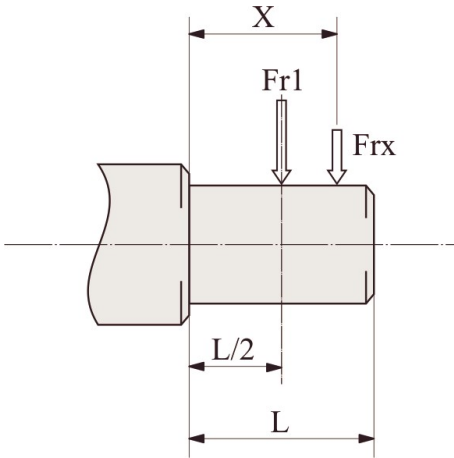
2,5 flat pulley

When the resulting radial load is not applied on the centre line of the shaft, it is necessary to adjust the admissible radial load Fr1-2 with the following formula:  $F_{rx} = (Fr1 \text{ or } Fr2 * a) / (b + x)$

- **a**, **b** = values given in the tables
- **x** = distance from the point of application of the load to the shaft shoulder

### 2.8.2 Input

When the radial load is not on the centre line of the shaft, it is necessary to adjust the admissible radial load  $Fr1$  with the following formula:  $Fr_x = (Fr1 \cdot a) / (b + x)$



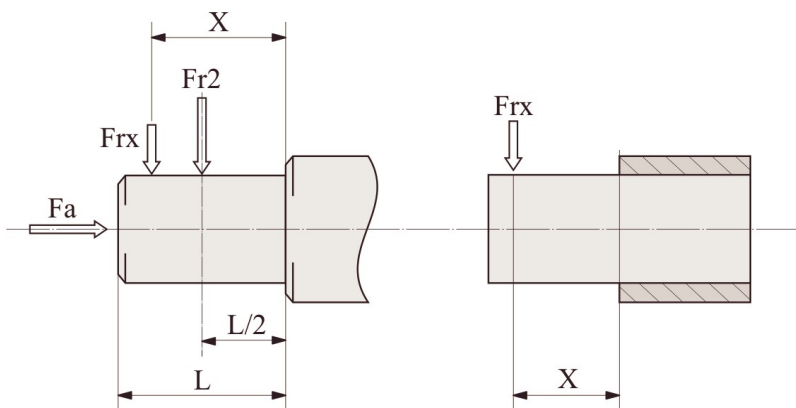
| IS                 | 052-053 | 062-063 | 082-083 | 102-103 | 122-123 |
|--------------------|---------|---------|---------|---------|---------|
| <b>a</b>           | 105     | 105     | 137     | 137     | 175     |
| <b>b</b>           | 80      | 80      | 108     | 108     | 135     |
| <b>Fr1 max(**)</b> | 1500    | 2500    | 3600    | 3600    | 7200    |

(\*\*Fr1) Max. admissible value of the reducer; verify max. admissible value on performances tables.



### 2.8.3 Output

When the radial load is not on the centre line of the shaft, it is necessary to adjust the admissible radial load  $Fr_2$  with the following formula:  $Fr_x = (Fr_2 \cdot a) / (b + x)$



| S                                      | 052-053 | 062-063 | 082-083 | 102-103 | 122-123 |
|--|---------|---------|---------|---------|---------|
| a                                      | 125     | 145     | 190     | 225     | 265     |
| b                                      | 96      | 116     | 150     | 175     | 202     |
| D (Fr <sub>2</sub> max <sup>**</sup> ) | 6000    | 10000   | 18000   | 22000   | 30000   |
| C (Fr <sub>2</sub> max <sup>**</sup> ) | 6000    | 4000    | 7200    | 9000    | 11200   |

(\*\*Fr<sub>2</sub>) Max. admissible value of the reducer; verify max. admissible value on performances tables.

### 2.9.1 Informations

In cases of ambient temperatures not envisaged in the table, call our Technical Service. In the case of temperatures under  $-30^{\circ}\text{C}$  or over  $60^{\circ}\text{C}$  it is necessary to use oil seals with special properties. For operating ranges with temperatures under  $0^{\circ}\text{C}$  it is necessary to consider the following:

1. The motors need to be suitable for operation at the envisaged ambient temperature.
2. The power of the electric motor needs to be adequate for exceeding the higher starting torques required.
3. In case of cast-iron gear reducers, pay attention to impact loads since cast iron may have problems of fragility at temperatures under  $-15^{\circ}\text{C}$ .
4. During the early stages of service, problems of lubrication may arise due to the high level of viscosity taken on by the oil and so it is wise to have a few minutes of rotation under no load.



#### For ATEX gear reducers:

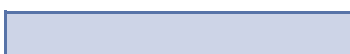
- Change oil as specified in the “Maintenance” table of the relevant “Use and Installation Instructions” manual (supplied with products).
- The use of oils other than the original one is forbidden.

### 2.9.2 Lubricants

|                 | S050 ÷ 150                |                            |
|-----------------|---------------------------|----------------------------|
|                 | Mineral oil               |                            |
| *T°C<br>ISO/SAE | (-5) ÷ (+40)<br>ISO VG220 | (-15) ÷ (+25)<br>ISO VG150 |
| ENI             | BLASIA 220                | BLASIA 150                 |
| SHELL           | OMALA OIL220              | OMALA OIL150               |
| KLUBER          | Kluberoil<br>GEM 1-220N   | Kluberoil<br>GEM 1-150N    |
| MOBIL           | MOBILGEAR 600 XP220       | MOBILGEAR 600 XP150        |
| CASTROL         | ALPHA SP<br>220           | ALPHA SP<br>150            |
| BP              | ENERGOL<br>GR-XP220       | ENERGOL<br>GR-XP150        |

Specifications of lubricants recommended by Motovario S.p.A.

\* Ambient temperature



Standard supply

## 2.9.3 Special lubricants

|        | *T°C          | Polyglycol synthetic oil         |
|--------|---------------|----------------------------------|
| ENI    | (-30) ÷ (+30) | Blasia S 150 (ISO VG150)         |
|        | (-20) ÷ (+40) | Blasia S 220 (ISO VG220)         |
| MOBIL  | (-45) ÷ (+0)  | SCH 624 (ISO VG32)               |
|        | (-40) ÷ (+5)  | SCH 626 (ISO VG68)               |
| KLUBER | (-40) ÷ (+5)  | Klubersynth GH 6-32 (ISO VG32)   |
|        | (-35) ÷ 10)   | Klubersynth GH 6-80 (ISO VG80)   |
|        | (-30) ÷ (+40) | Klubersynth GH 6-150 (ISO VG150) |
|        | (-25) ÷ (+40) | Klubersynth GH 6-220 (ISO VG220) |
|        | (-15) ÷ (+50) | Klubersynth GH 6-460 (ISO VG460) |
|        | (-10) ÷ (+70) | Klubersynth GH 6-680 (ISO VG680) |

|        | *T°C          | Polyglycol synthetic oil for food grade |
|--------|---------------|---|
| KLUBER | (-30) ÷ (+15) | Klubersynth UH1-6 100 (ISO VG100)       |
|        | (-25) ÷ (+40) | Klubersynth UH1-6 220 (ISO VG220)       |
|        | (-15) ÷ (+40) | Klubersynth UH1-6 320 (ISO VG320)       |
|        | (-15) ÷ (+50) | Klubersynth UH1-6 460 (ISO VG460)       |
|        | (-10) ÷ (+50) | Klubersynth UH1-6 680 (ISO VG680)       |

If 'special' lubricant is required please contact for Technical Assistance.

\* Ambient temperature

### 2.9.4 Quantity

- For the gear reducers S ... series with 2, 3 stages it is always necessary to specify the envisaged position.
- The gear reducers S series ... with 2,3 stages sizes 050, 060 are supplied complete with lubricant, have no oil plugs and need no maintenance.
- The gear reducers S ... series with 2,3 stages sizes 080,100,125 are supplied complete with lubricant and are fitted with oil plugs to suit any mounting position included in the catalogue.

It is recommended, after installation, to replace the closed plug used for transportation with the supplied breather plug.

Quantity of oil in litres -

(...) 142-143-152-153 quantity for backstop device

| S - CS    | 052-053 | 062-063 | 082-083 | 102-103 | 122-123 |
|-----------|---------|---------|---------|---------|---------|
| <b>B3</b> | 2,05    | 2,4     | 6       | 9       | 14,7    |
| <b>B8</b> | 1,8     | 2,3     | 4       | 6       | 11,8    |
| <b>B6</b> | 2,4     | 2,9     | 5,7     | 8       | 16      |
| <b>B7</b> | 2,1     | 2,6     | 4,5     | 6,8     | 11,3    |
| <b>V5</b> | 2,8     | 3,5     | 6,8     | 10,3    | 19      |
| <b>V6</b> | 2,4     | 2,9     | 6,4     | 9,9     | 18      |

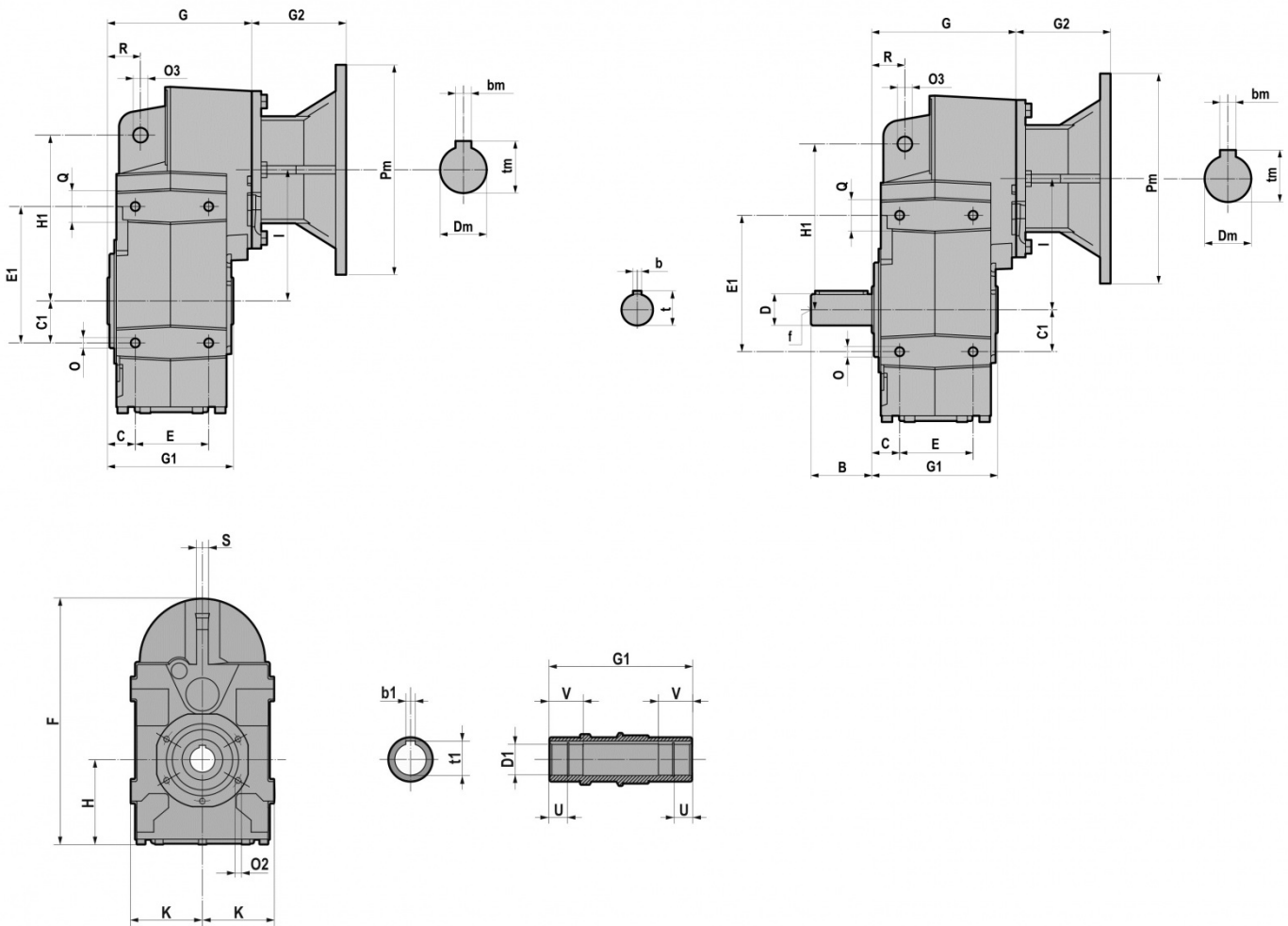
## 2.10 MOMENTS OF INERTIA

| S-2/3 | J *1E-4 [Kg*m2] |
|-------|-----------------|
| 050   | 4               |
| 060   | 6               |
| 080   | 15              |
| 100   | 34              |
| 125   | 85              |

Following values are indicative only and refer to gear reducers fitted with input PAM.  
These values refer to maximum moment of inertia.

# 3.1 REDUCERS/GEARMOTOR

## 3.1.1 S 052...123



|                | D1 H7 | b1 | t1   | U     | V  | B   | D     | b  | t    | f   | C    | C1  | E   | E1  |
|----------------|-------|----|------|-------|----|-----|-------|----|------|-----|------|-----|-----|-----|
| <b>052/053</b> | 30    | 8  | 33,3 | 13,8  | 30 | 58  | 30 j6 | 8  | 33   | M10 | 26,5 | 40  | 70  | 130 |
| <b>062/063</b> | 35    | 10 | 38,3 | 12    | 35 | 58  | 35 j6 | 10 | 38   | M12 | 30   | 45  | 80  | 147 |
| <b>082/083</b> | 40    | 12 | 43,3 | 22,25 | 42 | 80  | 40 k6 | 12 | 43   | M16 | 37   | 60  | 106 | 190 |
| <b>082/083</b> | 45    | 14 | 47,6 | 22,25 | 42 | 80  | 40 k6 | 12 | 43   | M16 | 37   | 60  | 106 | 190 |
| <b>102/103</b> | 45    | 14 | 48,8 | 22,25 | 50 | 100 | 50 k6 | 14 | 53,5 | M16 | 36,5 | 70  | 137 | 275 |
| <b>102/103</b> | 50    | 14 | 53,8 | 25    | 50 | 100 | 50 k6 | 14 | 53,5 | M16 | 36,5 | 70  | 137 | 275 |
| <b>122/123</b> | 60    | 18 | 64,4 | 28    | 70 | 120 | 60 m6 | 18 | 64   | M20 | 43   | 100 | 165 | 310 |

|                | F   | G     | G1  | H   | H1  | I   | K     | O      | O3    | O2           | Q  | R    | S  |
|----------------|-----|-------|-----|-----|-----|-----|-------|--------|-------|--------------|----|------|----|
| <b>052/053</b> | 311 | 137,5 | 120 | 107 | 158 | 125 | 90,5  | M10x18 | 14,00 | M8x16 (n.5)  | 30 | 31,5 | 15 |
| <b>062/063</b> | 320 | 158,5 | 140 | 97  | 170 | 143 | 96,5  | M12x20 | 14,00 | M8x16 (n.5)  | 40 | 32   | 15 |
| <b>082/083</b> | 383 | 207   | 180 | 107 | 218 | 170 | 112,5 | M12x20 | 14,00 | M10x20 (n.7) | 44 | 41   | 20 |
| <b>102/103</b> | 426 | 217,5 | 210 | 119 | 278 | 180 | 130   | M16x26 | 22,00 | M12x22 (n.7) | 50 | 50   | 20 |
| <b>122/123</b> | 549 | 257   | 240 | 157 | 346 | 235 | 165   | M16x30 | 22,00 | M14x28 (n.7) | 50 | 62   | 26 |

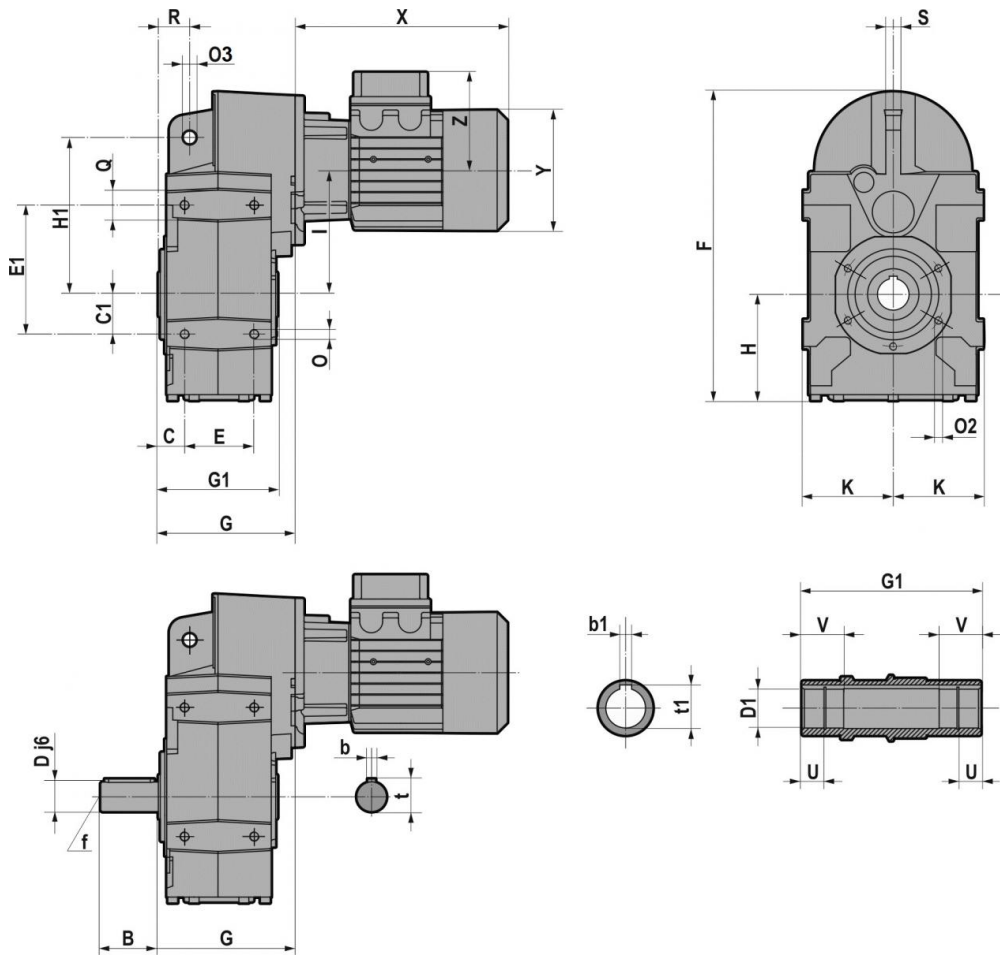
## 3.1 REDUCERS/GEARMOTOR

|               | G2      |         |       |
|---------------|---------|---------|-------|
|               | 050-060 | 080-100 | 125   |
| <b>140x11</b> | 57      | /       | /     |
| <b>160x14</b> | 69      | 49,0    | /     |
| <b>200x19</b> | 90      | 70,0    | 60,5  |
| <b>200x24</b> | 90      | 70,0    | 60,5  |
| <b>250x28</b> | 105     | 85,0    | 75,5  |
| <b>300x38</b> | /       | 110,0   | 100,5 |
| <b>350x42</b> | /       | 157,5   | 148   |
| <b>350x48</b> | /       | 157,5   | 148   |
| <b>400x55</b> | /       | /       | 185   |

For the dimensions concerning the motor connection area (Pm, Dm, bm, tm) please refer to the table shown "Input flange".

# 3.1 REDUCERS/GEARMOTOR

## 3.1.2 CS 052...123

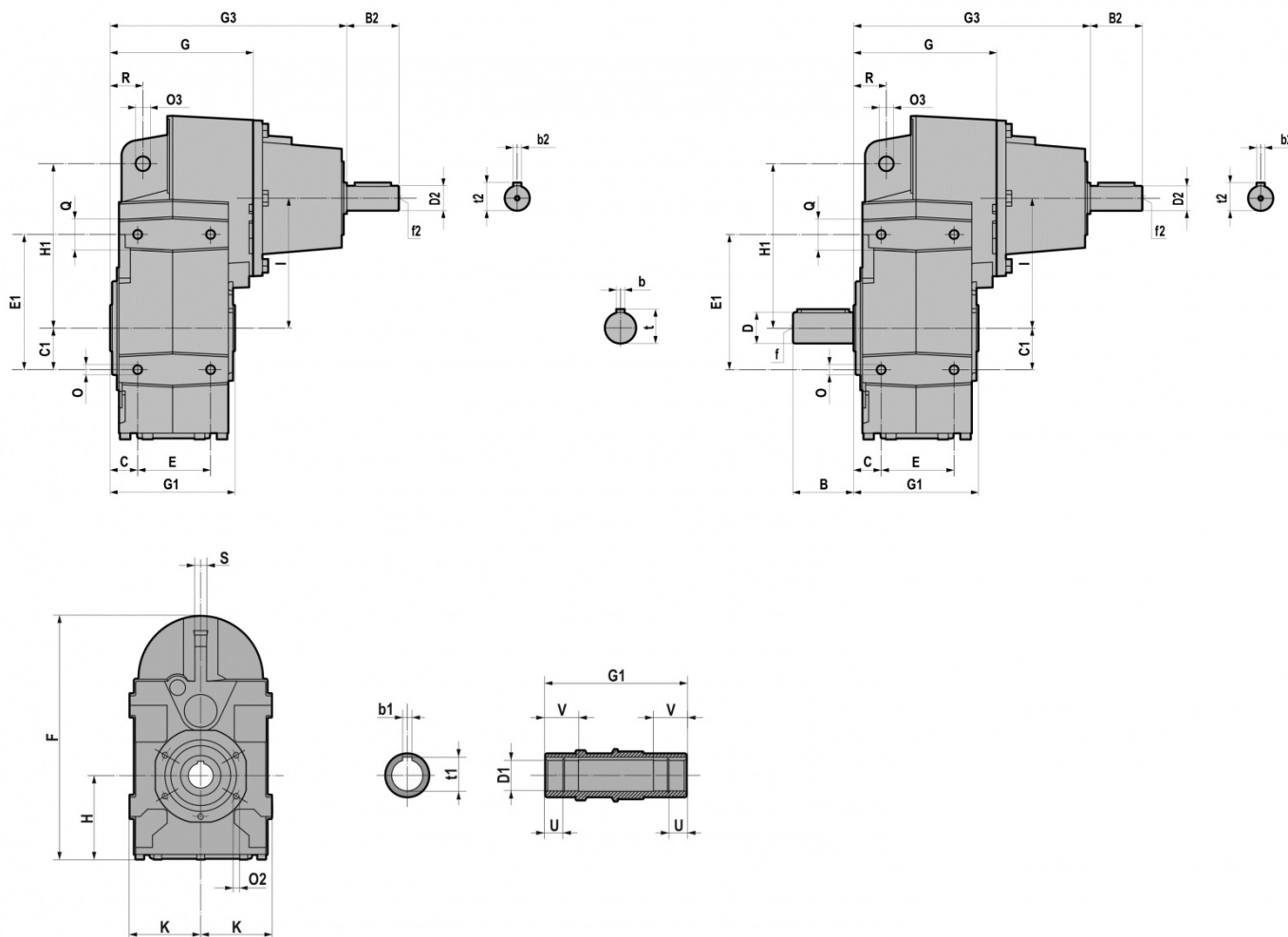


|                | D1 H7 | b1 | t1   | U     | V  | B   | D     | b  | t    | f   | C    | C1  | E   | E1  |
|----------------|-------|----|------|-------|----|-----|-------|----|------|-----|------|-----|-----|-----|
| <b>052/053</b> | 30    | 8  | 33,3 | 13,8  | 30 | 58  | 30 j6 | 8  | 33   | M10 | 26,5 | 40  | 70  | 130 |
| <b>062/063</b> | 35    | 10 | 38,3 | 12    | 35 | 58  | 35 j6 | 10 | 38   | M12 | 30   | 45  | 80  | 147 |
| <b>082/083</b> | 40    | 12 | 43,3 | 22,25 | 42 | 80  | 40 k6 | 12 | 43   | M16 | 37   | 60  | 106 | 190 |
| <b>082/083</b> | 45    | 14 | 47,6 | 22,25 | 42 | 80  | 40 k6 | 12 | 43   | M16 | 37   | 60  | 106 | 190 |
| <b>102/103</b> | 45    | 14 | 48,8 | 22,25 | 50 | 100 | 50 k6 | 14 | 53,5 | M16 | 36,5 | 70  | 137 | 275 |
| <b>102/103</b> | 50    | 14 | 53,8 | 25    | 50 | 100 | 50 k6 | 14 | 53,5 | M16 | 36,5 | 70  | 137 | 275 |
| <b>122/123</b> | 60    | 18 | 64,4 | 28    | 70 | 120 | 60 m6 | 18 | 64   | M20 | 43   | 100 | 165 | 310 |

|                | F   | G     | G1  | H   | H1  | I   | K     | O      | O3    | O2           | Q  | R    | S  |
|----------------|-----|-------|-----|-----|-----|-----|-------|--------|-------|--------------|----|------|----|
| <b>052/053</b> | 311 | 137,5 | 120 | 107 | 158 | 125 | 90,5  | M10x18 | 14,00 | M8x16 (n.5)  | 30 | 31,5 | 15 |
| <b>062/063</b> | 320 | 158,5 | 140 | 97  | 170 | 143 | 96,5  | M12x20 | 14,00 | M8x16 (n.5)  | 40 | 32   | 15 |
| <b>082/083</b> | 383 | 207   | 180 | 107 | 218 | 170 | 112,5 | M12x20 | 14,00 | M10x20 (n.7) | 44 | 41   | 20 |
| <b>102/103</b> | 426 | 217,5 | 210 | 119 | 278 | 180 | 130   | M16x26 | 22,00 | M12x22 (n.7) | 50 | 50   | 20 |
| <b>122/123</b> | 549 | 257   | 240 | 157 | 346 | 235 | 165   | M16x30 | 22,00 | M14x28 (n.7) | 50 | 62   | 26 |



## 3.1.3 IS 052...123



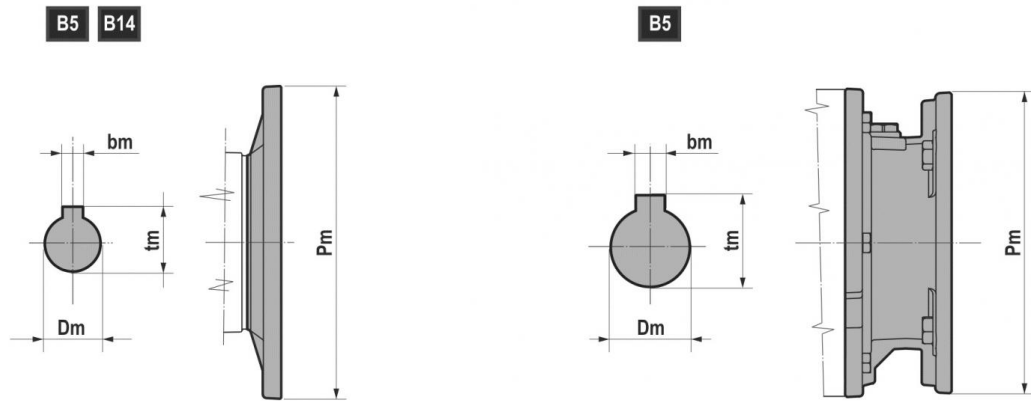
|                | D1 H7 | b1 | t1   | U     | V  | B   | D     | b  | t    | f   | C    | C1  | E   | E1  |
|----------------|-------|----|------|-------|----|-----|-------|----|------|-----|------|-----|-----|-----|
| <b>052/053</b> | 30    | 8  | 33,3 | 13,8  | 30 | 58  | 30 j6 | 8  | 33   | M10 | 26,5 | 40  | 70  | 130 |
| <b>062/063</b> | 35    | 10 | 38,3 | 12    | 35 | 58  | 35 j6 | 10 | 38   | M12 | 30   | 45  | 80  | 147 |
| <b>082/083</b> | 40    | 12 | 43,3 | 22,25 | 42 | 80  | 40 k6 | 12 | 43   | M16 | 37   | 60  | 106 | 190 |
| <b>082/083</b> | 45    | 14 | 47,6 | 22,25 | 42 | 80  | 40 k6 | 12 | 43   | M16 | 37   | 60  | 106 | 190 |
| <b>102/103</b> | 45    | 14 | 48,8 | 22,25 | 50 | 100 | 50 k6 | 14 | 53,5 | M16 | 36,5 | 70  | 137 | 275 |
| <b>102/103</b> | 50    | 14 | 53,8 | 25    | 50 | 100 | 50 k6 | 14 | 53,5 | M16 | 36,5 | 70  | 137 | 275 |
| <b>122/123</b> | 60    | 18 | 64,4 | 28    | 70 | 120 | 60 m6 | 18 | 64   | M20 | 43   | 100 | 165 | 310 |

|                | F   | G     | G1  | H   | H1  | I   | K     | O      | O3    | O2           | Q  | R    | S  |
|----------------|-----|-------|-----|-----|-----|-----|-------|--------|-------|--------------|----|------|----|
| <b>052/053</b> | 311 | 137,5 | 120 | 107 | 158 | 125 | 90,5  | M10x18 | 14,00 | M8x16 (n.5)  | 30 | 31,5 | 15 |
| <b>062/063</b> | 320 | 158,5 | 140 | 97  | 170 | 143 | 96,5  | M12x20 | 14,00 | M8x16 (n.5)  | 40 | 32   | 15 |
| <b>082/083</b> | 383 | 207   | 180 | 107 | 218 | 170 | 112,5 | M12x20 | 14,00 | M10x20 (n.7) | 44 | 41   | 20 |
| <b>102/103</b> | 426 | 217,5 | 210 | 119 | 278 | 180 | 130   | M16x26 | 22,00 | M12x22 (n.7) | 50 | 50   | 20 |
| <b>122/123</b> | 549 | 257   | 240 | 157 | 346 | 235 | 165   | M16x30 | 22,00 | M14x28 (n.7) | 50 | 62   | 26 |

## 3.1 REDUCERS/GEARMOTOR

|                | <b>G3</b> | <b>B2</b> | <b>D2</b> | <b>b2</b> | <b>t2</b> | <b>f2</b> |
|----------------|-----------|-----------|-----------|-----------|-----------|-----------|
| <b>052/053</b> | 227,5     | 50        | 24 j6     | 8         | 27        | M8        |
| <b>062/063</b> | 248,5     | 50        | 24 j6     | 8         | 27        | M8        |
| <b>082/083</b> | 320       | 60        | 28 j6     | 8         | 31        | M10       |
| <b>102/103</b> | 330,5     | 60        | 28 j6     | 8         | 31        | M10       |
| <b>122/123</b> | 383,5     | 80        | 38 k6     | 10        | 41        | M12       |

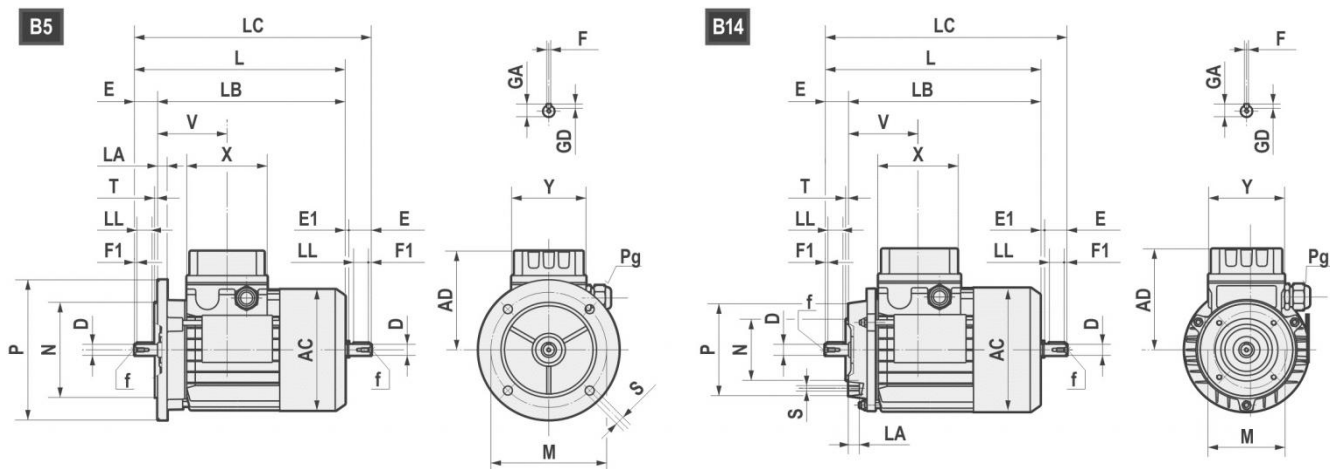
## 3.2 INPUT FLANGE



| B5  | Pm  | Dm | bm | tm   |
|-----|-----|----|----|------|
| 056 | 120 | 09 | 3  | 10,4 |
| 063 | 140 | 11 | 4  | 12,8 |
| 071 | 160 | 14 | 5  | 16,3 |
| 080 | 200 | 19 | 6  | 21,8 |
| 090 | 200 | 24 | 8  | 27,3 |
| 100 | 250 | 28 | 8  | 31,3 |
| 112 | 250 | 28 | 8  | 31,3 |
| 132 | 300 | 38 | 10 | 41,3 |
| 160 | 350 | 42 | 12 | 45,3 |
| 180 | 350 | 48 | 14 | 51,8 |
| 200 | 400 | 55 | 16 | 59,3 |
| 225 | 450 | 60 | 18 | 64,4 |
| 250 | 550 | 65 | 18 | 69,4 |
| 280 | 550 | 75 | 20 | 79,9 |

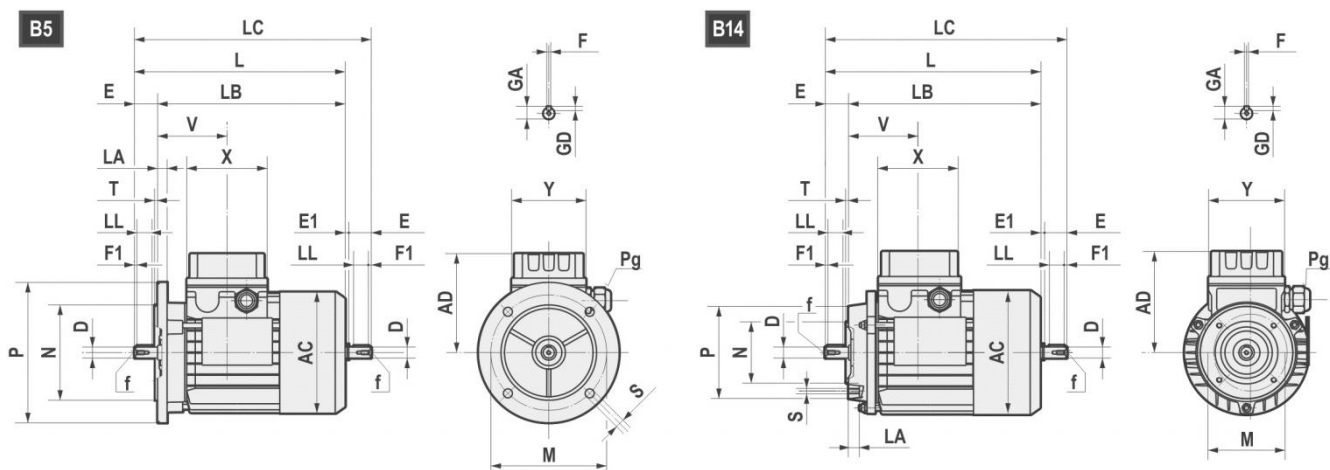
| B14 | Pm  | Dm | bm | tm   |
|-----|-----|----|----|------|
| 056 | 80  | 09 | 3  | 10,4 |
| 063 | 90  | 11 | 4  | 12,8 |
| 071 | 105 | 14 | 5  | 16,3 |
| 080 | 120 | 19 | 6  | 21,8 |
| 090 | 140 | 24 | 8  | 27,3 |
| 100 | 160 | 28 | 8  | 31,3 |
| 112 | 160 | 28 | 8  | 31,3 |

## 3.3.1 Electric motors



|             | AC    | AD    | L     | LB    | LC    | X   | Y   | V     | D     | E   | E1  | f       | F1  | GA   | F  | GD |
|-------------|-------|-------|-------|-------|-------|-----|-----|-------|-------|-----|-----|---------|-----|------|----|----|
| <b>63</b>   | 121   | 103,5 | 211   | 188   | 235,5 | 80  | 74  | 69    | 11 j6 | 23  | 1,5 | M4x10   | 2,5 | 12,5 | 4  | 4  |
| <b>71</b>   | 139   | 112   | 238,5 | 208,5 | 271   | 80  | 74  | 74,5  | 14 j6 | 30  | 2,5 | M5x12.5 | 3   | 16   | 5  | 5  |
| <b>80</b>   | 158   | 121,5 | 272,5 | 232,5 | 314   | 80  | 74  | 78    | 19 j6 | 40  | 1,5 | M6x16   | 5   | 21,5 | 6  | 6  |
| <b>90S</b>  | 173   | 129,5 | 298   | 248   | 349,5 | 98  | 98  | 89,5  | 24 j6 | 50  | 1,5 | M8x19   | 5   | 27   | 8  | 7  |
| <b>90L</b>  | 173   | 129,5 | 323   | 273   | 374,5 | 98  | 98  | 89,5  | 24 j6 | 50  | 1,5 | M8x19   | 5   | 27   | 8  | 7  |
| <b>100</b>  | 191   | 138,5 | 368   | 308   | 431,5 | 98  | 98  | 97,5  | 28 j6 | 60  | 3,5 | M10x22  | 7,5 | 31   | 8  | 7  |
| <b>112</b>  | 210,5 | 153,5 | 382,5 | 322,5 | 447   | 98  | 98  | 100   | 28 j6 | 60  | 3,5 | M10x22  | 7,5 | 31   | 8  | 7  |
| <b>132S</b> | 248,5 | 195   | 452   | 372   | 536,5 | 118 | 118 | 115,5 | 38 k6 | 80  | 4   | M12x28  | 10  | 41   | 10 | 8  |
| <b>132L</b> | 248,5 | 195   | 490   | 410   | 574,5 | 118 | 118 | 115,5 | 38 k6 | 80  | 4   | M12x28  | 10  | 41   | 10 | 8  |
| <b>160S</b> | 248,5 | 195   | 520   | 410   | /     | 118 | 118 | 115,5 | 42k6  | 100 | /   | M16x36  | 10  | 45   | 12 | 8  |

### 3.3 ELECTRIC MOTORS



|             |       | AC  | AD  | L    | LB  | X   | D  | E   | f   | GA   | F  | GD | LL  | Pg        |           |
|-------------|-------|-----|-----|------|-----|-----|----|-----|-----|------|----|----|-----|-----------|-----------|
| <b>160M</b> | 2-4-6 | 314 | 251 | 600  | 490 | 158 | 42 | 110 | M16 | 45   | 12 | 8  | 90  | 2-M40x1,5 | 1-M16x1,5 |
| <b>160L</b> | 2-4-6 | 314 | 251 | 645  | 535 | 158 | 42 | 110 | M16 | 45   | 12 | 8  | 90  | 2-M40x1,5 | 1-M16x1,5 |
| <b>180M</b> | 2-4   | 355 | 267 | 680  | 570 | 158 | 48 | 110 | M16 | 51,5 | 14 | 9  | 100 | 2-M40x1,5 | 1-M16x1,5 |
| <b>180L</b> | 4-6   | 355 | 267 | 720  | 610 | 158 | 48 | 110 | M16 | 51,5 | 14 | 9  | 100 | 2-M40x1,5 | 1-M16x1,5 |
| <b>200L</b> | 2-4-6 | 397 | 300 | 785  | 675 | 187 | 55 | 110 | M20 | 59   | 16 | 10 | 100 | 2-M50x1,5 | 1-M16x1,5 |
| <b>225S</b> | 4     | 446 | 325 | 820  | 680 | 187 | 60 | 140 | M20 | 64   | 18 | 11 | 125 | 2-M50x1,5 | 1-M16x1,5 |
| <b>225M</b> | 2     | 446 | 325 | 815  | 705 | 187 | 55 | 110 | M20 | 59   | 16 | 10 | 100 | 2-M50x1,5 | 1-M16x1,5 |
| <b>225M</b> | 4-6   | 446 | 325 | 845  | 705 | 187 | 60 | 140 | M20 | 64   | 18 | 11 | 125 | 2-M50x1,5 | 1-M16x1,5 |
| <b>250M</b> | 2-4-6 | 485 | 360 | 910  | 770 | 238 | 60 | 140 | M20 | 64   | 18 | 11 | 125 | 2-M63x1,5 | 1-M16x1,5 |
| <b>250M</b> | 2-4-6 | 485 | 360 | 910  | 770 | 238 | 65 | 140 | M20 | 69   | 18 | 11 | 125 | 2-M63x1,5 | 1-M16x1,5 |
| <b>280S</b> | 2-4-6 | 547 | 390 | 970  | 830 | 238 | 65 | 140 | M20 | 69   | 18 | 11 | 125 | 2-M63x1,5 | 1-M16x1,5 |
| <b>280S</b> | 2-4-6 | 547 | 390 | 970  | 830 | 238 | 75 | 140 | M20 | 79,5 | 20 | 12 | 125 | 2-M63x1,5 | 1-M16x1,5 |
| <b>280M</b> | 2-4-6 | 547 | 390 | 1025 | 885 | 238 | 65 | 140 | M20 | 69   | 18 | 11 | 125 | 2-M63x1,5 | 1-M16x1,5 |
| <b>280M</b> | 2-4-6 | 547 | 390 | 1025 | 885 | 238 | 75 | 140 | M20 | 79,5 | 20 | 12 | 125 | 2-M63x1,5 | 1-M16x1,5 |

## 3.3 ELECTRIC MOTORS

| <b>B5</b>     | <b>M</b> | <b>N</b> | <b>P</b> | <b>LA</b> | <b>S</b> | <b>T</b> |
|---------------|----------|----------|----------|-----------|----------|----------|
| <b>63</b>     | 115      | 95       | 140      | 10        | 9        | 3        |
| <b>71</b>     | 130      | 110      | 160      | 10        | 9,5      | 3,5      |
| <b>80</b>     | 165      | 130      | 200      | 12        | 11       | 3,5      |
| <b>90</b>     | 165      | 130      | 200      | 12        | 11       | 3,5      |
| <b>100</b>    | 215      | 180      | 250      | 15        | 14       | 4        |
| <b>112</b>    | 215      | 180      | 250      | 14,5      | 14       | 4        |
| <b>132</b>    | 265      | 230      | 300      | 20        | 14       | 3,5      |
| <b>160S</b>   | 300      | 250      | 350      | 13        | 18,5     | 3,5      |
| <b>160M-L</b> | 300      | 250      | 350      | 13        | 19       | 5        |
| <b>180</b>    | 300      | 250      | 350      | 15        | 19       | 5        |
| <b>200</b>    | 350      | 300      | 400      | 17        | 19       | 5        |
| <b>225</b>    | 400      | 350      | 450      | 20        | 19       | 5        |
| <b>250</b>    | 500      | 450      | 550      | 22        | 19       | 5        |
| <b>280</b>    | 500      | 450      | 550      | 22        | 19       |          |

| <b>B14</b> | <b>M</b> | <b>N</b> | <b>P</b> | <b>LA</b> | <b>S</b> | <b>T</b> |
|------------|----------|----------|----------|-----------|----------|----------|
| <b>63</b>  | 75       | 60       | 90       | 10        | M5       | 2,5      |
| <b>71</b>  | 85       | 70       | 105      | 10,5      | M6       | 2,5      |
| <b>80</b>  | 100      | 80       | 120      | 10,5      | M6       | 3        |
| <b>90</b>  | 115      | 95       | 140      | 11,5      | M8       | 3        |
| <b>100</b> | 130      | 110      | 160      | 15        | M8       | 3,5      |
| <b>112</b> | 130      | 110      | 160      | 11,5      | M8       | 3,5      |
| <b>132</b> | 165      | 130      | 200      | 20,5      | M10      | 3,5      |
| <b>160</b> | 215      | 180      | 250      | -         | M12      | 4        |

## 3.3 ELECTRIC MOTORS

## 3.3.2 Nominal power - kW

|       | 63A  | 63B  | 63C  | 71A  | 71B  | 71C  | 80A  |      |      | 80B  |      |      |
|-------|------|------|------|------|------|------|------|------|------|------|------|------|
| Poles | TS   | TS   | TS   | TS   | TS   | TS   | TS   | TH   | TP   | TS   | TH   | TP   |
| 2 (*) | 0,18 | 0,25 | 0,37 | 0,37 | 0,55 | -    | -    | 0,75 | 0,75 | -    | 1,1  | 1,1  |
| 4 (*) | 0,12 | 0,18 | 0,22 | 0,25 | 0,37 | 0,55 | 0,55 | -    | -    | -    | 0,75 | 0,75 |
| 6 (*) | 0,09 | 0,12 | 0,15 | 0,18 | 0,25 | 0,37 | 0,37 | -    | -    | 0,55 | -    | -    |

|       | 90S |      | 90L  |     | 100LR | 100L | 100LA |     | 112MR | 112MS | 112MA | 112M |
|-------|-----|------|------|-----|-------|------|-------|-----|-------|-------|-------|------|
| Poles | TH  | TP   | TH   | TP  | TP    | TP   | TH    | TP  | TP    | TP    | TH    | TP   |
| 2 (*) | 1,5 | 1,5  | 2,2  | 2,2 | -     | 3    | 3     | -   | -     | -     | 4     | 4    |
| 4 (*) | 1,1 | 1,1  | 1,5  | 1,5 | -     | -    | 2,2   | 2,2 | 2,2   | 3     | 4     | 4    |
| 6 (*) | -   | 0,75 | 0,75 | -   | 1,1   | 1,5  | 1,1   | -   | -     | -     | 2,2   | 2,2  |

|       | 112MR | 112MS | 132S | 132SA | 132MS | 132SB | 132M | 132MA |    | 132MB |     |
|-------|-------|-------|------|-------|-------|-------|------|-------|----|-------|-----|
| Poles | TP    | TP    | TP   | TH    | TP    | TH    | TP   | TH    | TP | TH    | TP  |
| 2 (*) | -     | -     | 5,5  | 5,5   | -     | 7,5   | 7,5  | 9,2   | -  | -     | -   |
| 4 (*) | 2,2   | 3     | -    | 5,5   | 5,5   | -     | 7,5  | 7,5   | -  | -     | -   |
| 6 (*) | -     | -     | 3    | 3     | -     | -     | -    | 4     | 4  | 5,5   | 5,5 |

|       | 160M |  | 160MA |  | 160MB |  | 160L | 160LA |  | 180M |  | 180L |
|-------|------|--|-------|--|-------|--|------|-------|--|------|--|------|
| Poles | TP   |  | TP    |  | TP    |  | TP   | TP    |  | TP   |  | TP   |
| 2 (*) | -    |  | 11    |  | 15    |  | 18,5 | -     |  | 22   |  | -    |
| 4 (*) | -    |  | 11    |  | -     |  | -    | 15    |  | 18,5 |  | 22   |
| 6 (*) | 7,5  |  | -     |  | -     |  | 11   | -     |  | -    |  | 15   |

|       | 200L | 200LA | 200LB | 225S | 225M | 250M | 280S | 280M |
|-------|------|-------|-------|------|------|------|------|------|
| Poles | TP   | TP    | TP    | TP   | TP   | TP   | TP   | TP   |
| 2 (*) | -    | 30    | 37    | -    | -    | -    | -    | -    |
| 4 (*) | 30   | -     | -     | 37   | 45   | 55   | 75   | 90   |
| 6 (*) | -    | 18,5  | 22    | -    | -    | -    | -    | -    |

## 3.4 WEIGHT

| S-PS | 063 | 071  | 080-090 | 100-112 | 132  | 160  | 180  | 200 | 225 |      |
|------|-----|------|---------|---------|------|------|------|-----|-----|------|
| 050  | 16  | 16,4 | 17      | 21,2    | /    | /    | /    | /   | /   | ~ kg |
| 060  | /   | 19,9 | 20,6    | 24,9    | /    | /    | /    | /   | /   |      |
| 080  | /   | 32,9 | 35      | 37      | 39,7 | /    | /    | /   | /   |      |
| 100  | /   | 44   | 46      | 48      | 50,7 | 57,4 | 57,4 | /   | /   |      |
| 125  | /   | /    | 82      | 84,2    | 87   | 93   | 93   | 108 | /   |      |

| TS  |       |       |       |       |       |       |        |        |        |      |
|-----|-------|-------|-------|-------|-------|-------|--------|--------|--------|------|
| CS  | 063   | 071   | 080   | 090S  | 090L  | 100   | 112    | 132S   | 132M   |      |
| 050 | 19,50 | 20,40 | 25,10 | 29,00 | 31,00 | 36,50 | 48,00  | /      | /      | ~ kg |
| 060 | /     | 23,90 | 28,70 | 32,60 | 34,60 | 40,10 | 51,60  | /      | /      |      |
| 080 | /     | 36,50 | 41,60 | 44,00 | 45,50 | 50,60 | 62,00  | 76,00  | 87,60  |      |
| 100 | /     | 47,50 | 52,60 | 55,00 | 56,50 | 61,60 | 73,00  | 87,00  | 98,60  |      |
| 125 | /     | /     | /     | 91,00 | 92,00 | 98,00 | 108,00 | 123,00 | 132,00 |      |

| TH  |       |       |       |        |        |        |        |      |
|-----|-------|-------|-------|--------|--------|--------|--------|------|
| CS  | 080   | 090S  | 090L  | 100    | 112    | 132S   | 132M   |      |
| 050 | 26,80 | 31,34 | 32,96 | 38,80  | 51,08  | /      | /      | ~ kg |
| 060 | 30,40 | 34,94 | 36,56 | 42,40  | 54,68  | /      | /      |      |
| 080 | 43,30 | 46,34 | 47,46 | 52,90  | 65,08  | 81,29  | 94,43  |      |
| 100 | 54,30 | 57,34 | 58,46 | 63,90  | 76,08  | 92,29  | 105,43 |      |
| 125 | /     | 93,34 | 93,96 | 100,30 | 111,08 | 128,29 | 138,83 |      |

| TBS |       |       |       |       |       |        |        |        |        |      |
|-----|-------|-------|-------|-------|-------|--------|--------|--------|--------|------|
| CS  | 063   | 071   | 080   | 090S  | 090L  | 100    | 112    | 132S   | 132M   |      |
| 050 | 21,00 | 22,60 | 28,60 | 34,50 | 36,50 | 42,00  | 57,70  | /      | /      | ~ kg |
| 060 | /     | 26,20 | 32,20 | 38,10 | 40,10 | 45,60  | 61,30  | /      | /      |      |
| 080 | /     | 38,70 | 45,00 | 49,50 | 51,00 | 56,00  | 71,70  | 86,30  | 102,30 |      |
| 100 | /     | 49,70 | 56,00 | 60,50 | 62,00 | 67,00  | 82,70  | 97,30  | 113,30 |      |
| 125 | /     | /     | /     | 96,50 | 97,50 | 103,50 | 117,70 | 133,30 | 146,70 |      |

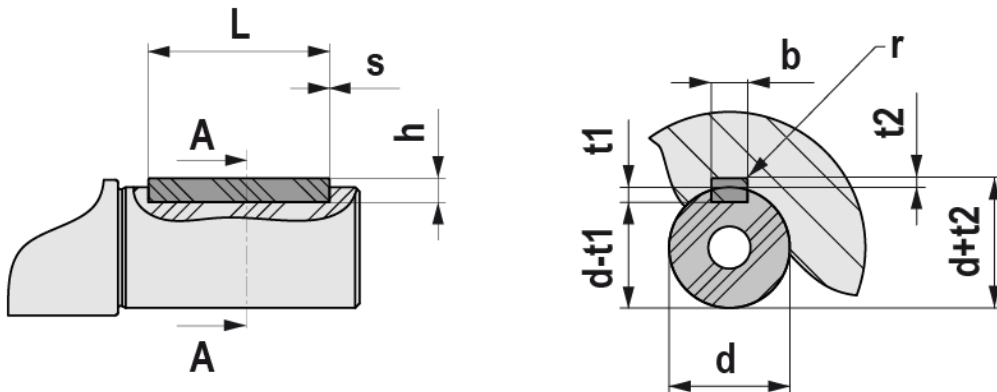
| TBH |       |       |       |        |        |        |        |      |
|-----|-------|-------|-------|--------|--------|--------|--------|------|
| CS  | 080   | 090S  | 090L  | 100    | 112    | 132S   | 132M   |      |
| 050 | 30,30 | 36,80 | 38,46 | 45,70  | 60,80  | /      | /      | ~ kg |
| 060 | 33,90 | 40,40 | 42,06 | 49,30  | 64,40  | /      | /      |      |
| 080 | 46,70 | 51,80 | 52,96 | 59,70  | 74,80  | 91,60  | 108,80 |      |
| 100 | 57,70 | 62,80 | 63,96 | 70,70  | 85,80  | 102,60 | 119,80 |      |
| 125 | /     | 98,80 | 99,46 | 107,20 | 120,80 | 138,60 | 153,20 |      |



## 3.4 WEIGHT

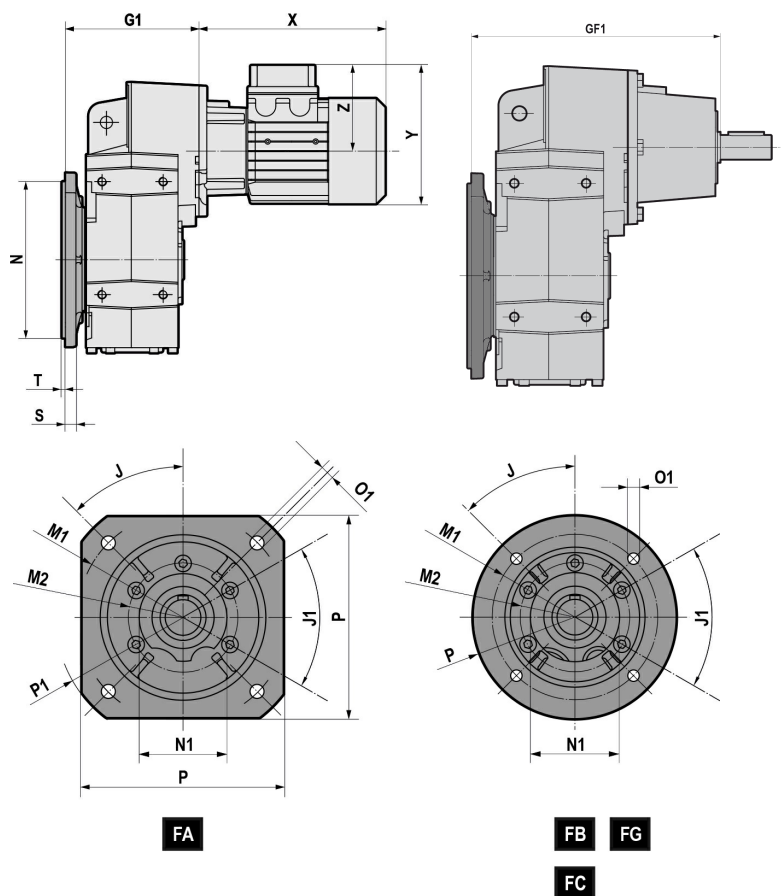
| IS  | ~ kg |
|-----|------|
| 050 | 19,2 |
| 060 | 22,7 |
| 080 | 39   |
| 100 | 50   |
| 125 | 91,8 |

# 3.5 DIMENSIONAL KEYWAY

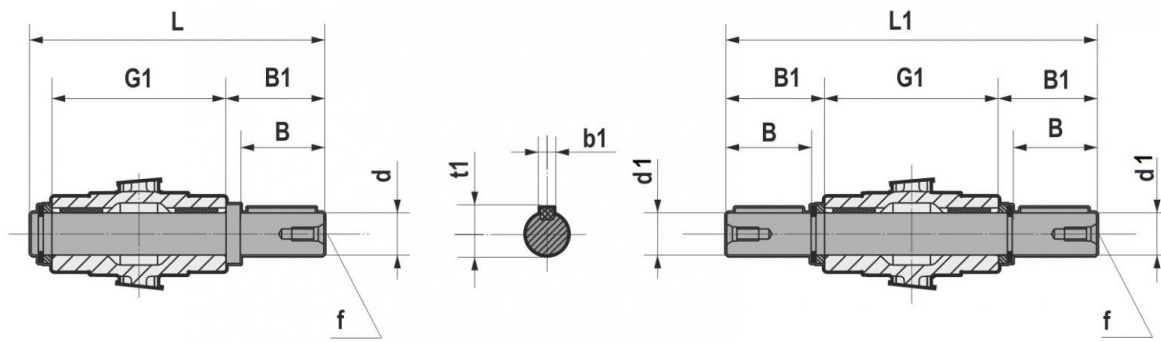


| UNI 604 - DIN 6885 |     |       |    |   |          |     |     |              |             |     |      |              |              |       |
|--------------------|-----|-------|----|---|----------|-----|-----|--------------|-------------|-----|------|--------------|--------------|-------|
| d                  |     | b x h |    |   | Tol. b/h | L   |     | s min / max  |             | b   | t1   | t2           | Tol. t1/t2   | r max |
| 6                  | 8   | 2     | x  | 2 | h9 / h9  | 6   | 20  | 0,16<br>0,25 | 2           | 1,2 | 1    | 0,1<br>0     | 0,08<br>0,16 |       |
| >                  | 8   | 10    | 3  | x |          | 3   | 6   |              | 36          | 3   | 1,8  |              |              | 1,4   |
| >                  | 10  | 12    | 4  | x |          | 4   | 8   | 45           | 0,25<br>0,4 | 4   | 2,5  |              |              | 1,8   |
| >                  | 12  | 17    | 5  | x |          | 5   | 10  | 56           |             | 5   | 3    |              |              | 2,3   |
| >                  | 17  | 22    | 6  | x | 6        | 14  | 70  | 0,4<br>0,6   | 6           | 3   | 2,8  | 0,16<br>0,25 |              |       |
| >                  | 22  | 30    | 8  | x | 7        | 18  | 90  |              | 8           | 4   | 3,3  |              |              |       |
| >                  | 30  | 38    | 10 | x | 8        | 22  | 110 | 0,6<br>0,8   | 10          | 5   | 3,3  | 0,2<br>0     | 0,25<br>0,4  |       |
| >                  | 38  | 44    | 12 | x | 8        | 28  | 140 |              | 12          | 5   | 3,3  |              |              |       |
| >                  | 44  | 50    | 14 | x | 9        | 36  | 160 | 0,6<br>0,8   | 14          | 5,5 | 3,8  | 0,2<br>0     | 0,25<br>0,4  |       |
| >                  | 50  | 58    | 16 | x | 10       | 45  | 180 |              | 16          | 6   | 4,3  |              |              |       |
| >                  | 58  | 65    | 18 | x | 11       | 50  | 200 | 0,6<br>0,8   | 18          | 7   | 4,4  | 0,2<br>0     | 0,4<br>0,6   |       |
| >                  | 65  | 75    | 20 | x | 12       | 56  | 110 |              | 20          | 7,5 | 4,9  |              |              |       |
| >                  | 75  | 85    | 22 | x | 14       | 63  | 140 | 0,6<br>0,8   | 22          | 9   | 5,4  | 0,2<br>0     | 0,4<br>0,6   |       |
| >                  | 85  | 95    | 25 | x | 14       | 70  | 160 |              | 25          | 9   | 5,4  |              |              |       |
| >                  | 95  | 110   | 28 | x | 16       | 80  | 180 | 0,6<br>0,8   | 28          | 10  | 6,4  | 0,2<br>0     | 0,4<br>0,6   |       |
| >                  | 110 | 130   | 32 | x | 18       | 90  | 200 |              | 32          | 11  | 7,4  |              |              |       |
| >                  | 130 | 150   | 36 | x | 20       | 100 | 160 | 1<br>1,2     | 36          | 12  | 8,4  | 0,3<br>0     | 0,7<br>1     |       |
| >                  | 150 | 170   | 40 | x | 22       | 110 | 180 |              | 40          | 13  | 9,4  |              |              |       |
| >                  | 170 | 200   | 45 | x | 25       | 125 | 200 |              | 45          | 14  | 10,4 |              |              |       |

# 4.1 OUTPUT FLANGE

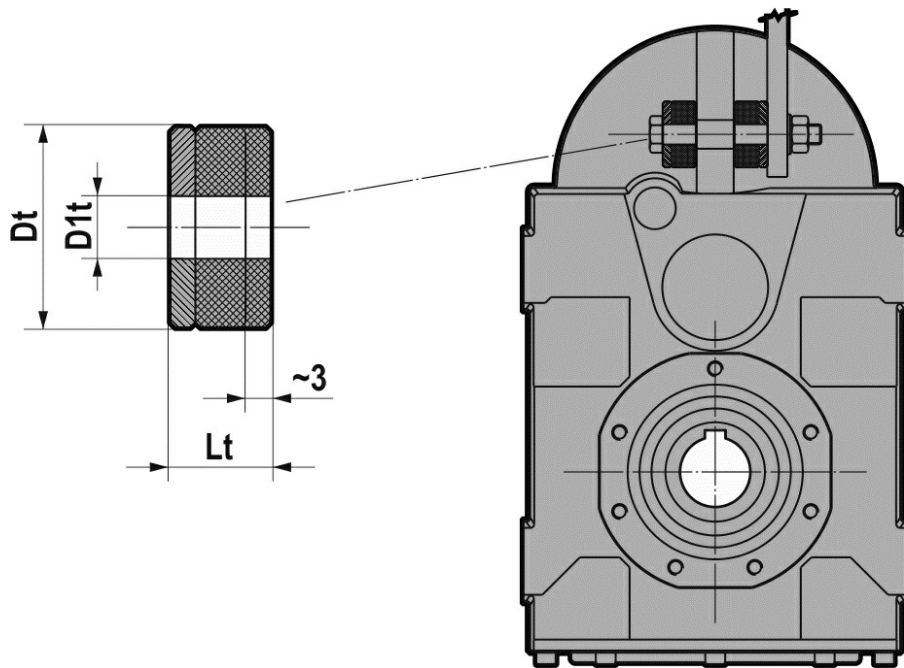


|            |    | J  | J1 | M1  | M2  | N f8 | N1  | O1 | P   | P1  | S  | T   | G1    | GF1   |
|------------|----|----|----|-----|-----|------|-----|----|-----|-----|----|-----|-------|-------|
| 052<br>053 | FA | 45 | 45 | 215 | 105 | 180  | 90  | 14 | 200 | 250 | 12 | 4   | 153   | 243   |
|            | FB | 45 | 45 | 165 | 105 | 130  | 90  | 11 | 200 | /   | 12 | 3,5 | 153   | 243   |
|            | FC | /  | /  | /   | /   | /    | /   | /  | /   | /   | /  | /   | /     | /     |
| 062<br>063 | FA | 45 | 45 | 215 | 105 | 180  | 90  | 14 | 200 | 250 | 12 | 4   | 172,5 | 262,5 |
|            | FB | 45 | 45 | 165 | 105 | 130  | 90  | 11 | 200 | /   | 12 | 3,5 | 172,5 | 262,5 |
|            | FC | /  | /  | /   | /   | /    | /   | /  | /   | /   | /  | /   | /     | /     |
| 082<br>083 | FA | 45 | 45 | 265 | 130 | 230  | 110 | 14 | 250 | 300 | 15 | 4   | 227   | 340   |
|            | FB | 45 | 45 | 215 | 130 | 180  | 110 | 14 | 250 | /   | 15 | 4   | 227   | 340   |
|            | FC | 45 | 45 | 165 | 130 | 130  | 110 | 11 | 200 | /   | 15 | 3,5 | 227   | 340   |
| 102<br>103 | FA | 45 | 45 | 300 | 165 | 250  | 130 | 18 | 300 | 350 | 16 | 5   | 247,5 | 360,5 |
|            | FB | 45 | 45 | 265 | 165 | 230  | 130 | 14 | 300 | /   | 16 | 4   | 247,5 | 360,5 |
|            | FC | 45 | 45 | 215 | 165 | 180  | 130 | 14 | 250 | /   | 16 | 4   | 247,5 | 360,5 |
| 122<br>123 | FA | 45 | 45 | 350 | 185 | 300  | 150 | 18 | 350 | 400 | 18 | 5   | 287   | 413,5 |
|            | FB | 45 | 45 | 300 | 185 | 250  | 150 | 18 | 350 | /   | 18 | 5   | 287   | 413,5 |
|            | FC | 45 | 45 | 265 | 185 | 230  | 150 | 14 | 300 | /   | 18 | 4   | 287   | 413,5 |



|                | $d$ h6 | B   | B1    | G1  | L     | f   | b1 | t1   |
|----------------|--------|-----|-------|-----|-------|-----|----|------|
| <b>062/063</b> | 35     | 58  | 62    | 140 | 210,5 | M12 | 10 | 38   |
| <b>082/083</b> | 40     | 80  | 84,25 | 180 | 273   | M16 | 12 | 43   |
| <b>102/103</b> | 50     | 100 | 105   | 210 | 325   | M16 | 14 | 53,5 |
| <b>122/123</b> | 60     | 120 | 125   | 240 | 375   | M20 | 18 | 64   |

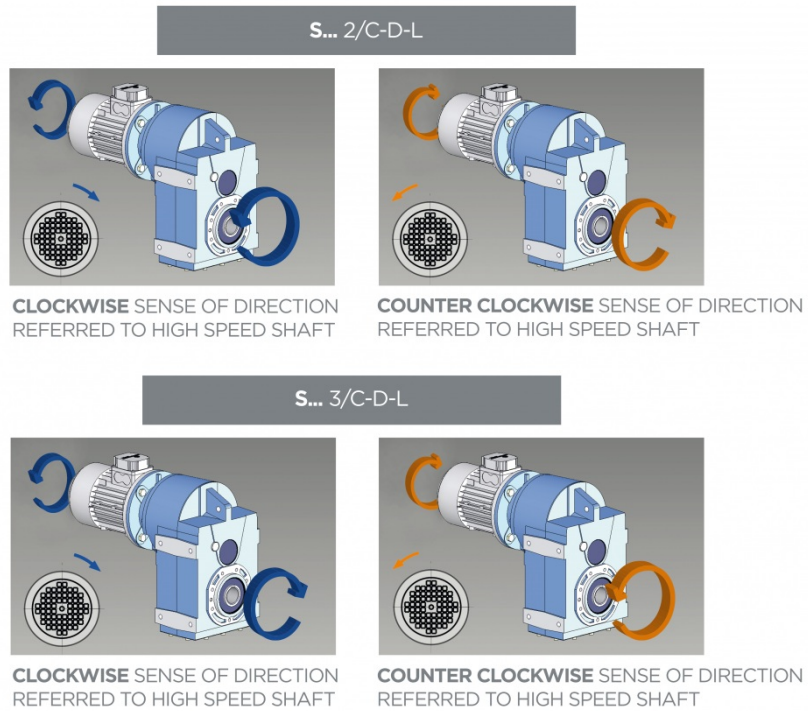
## 4.3 REACTION BOLT



|                | <b>Dt</b> | <b>D1t</b> | <b>Lt</b> |
|----------------|-----------|------------|-----------|
| <b>052/053</b> | 40        | 12,5       | 20        |
| <b>062/063</b> | 40        | 12,5       | 20        |
| <b>082/083</b> | 40        | 12,5       | 20        |
| <b>102/103</b> | 60        | 21         | 30        |
| <b>122/123</b> | 60        | 21         | 30        |

# 4.4 BACKSTOP DEVICE

## SENSE OF ROTATION



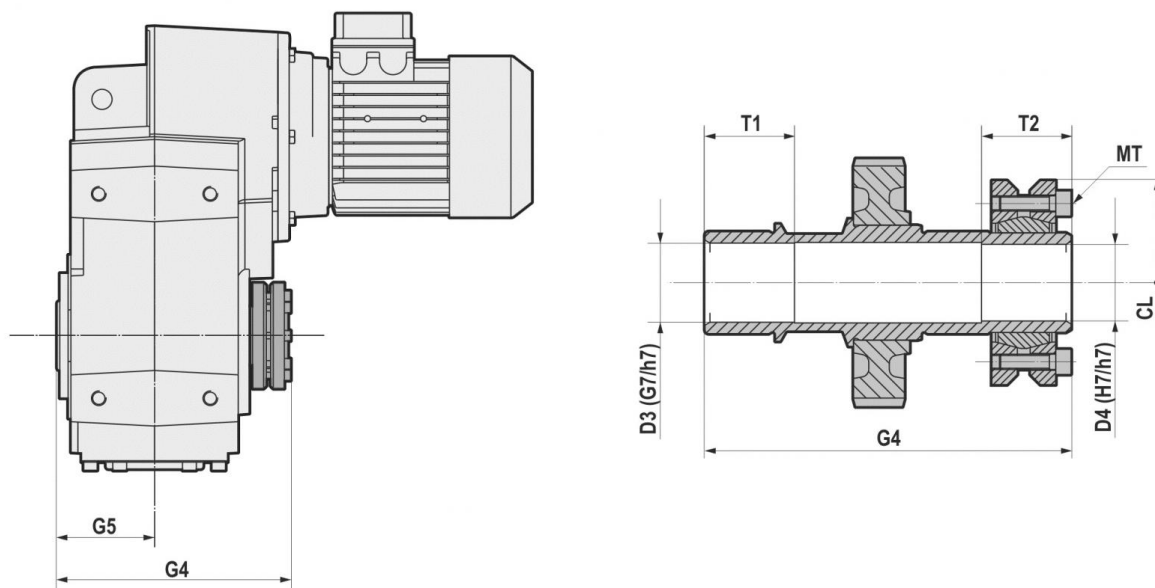
The gear reducer can be supplied with backstop device on input shaft. Backstop device allows output shaft rotation in only one sense of direction; according to the size, it is available in the input flange or in the motor with the same dimensions. It is important to specify the required sense of direction on the order. The backstop device is not available for mounting position V5 with motor 100/225.



Certified accessory for ATEX 3G/3D, only.

|            | Motor  |        |        |        |         |        |        |        |        |
|------------|--------|--------|--------|--------|---------|--------|--------|--------|--------|
|            | 063    | 071    | 080    | 090    | 100-112 | 132    | 160    | 180    | 200    |
|            | 140x11 | 160x14 | 200x19 | 200x24 | 250x28  | 300x38 | 350x42 | 350x48 | 400x55 |
| <b>052</b> |        | B5     | B5     | B5     | B5      |        |        |        |        |
| <b>053</b> | B5     | B5     | B5     | B5     |         |        |        |        |        |
| <b>062</b> |        | B5     | B5     | B5     | B5      |        |        |        |        |
| <b>063</b> |        | B5     | B5     | B5     |         |        |        |        |        |
| <b>082</b> |        |        | B5     | B5     | B5      | B5     |        |        |        |
| <b>083</b> |        | B5     | B5     | B5     | B5      |        |        |        |        |
| <b>102</b> |        |        | B5     | B5     | B5      | B5     | B5     |        |        |
| <b>103</b> |        | B5     | B5     | B5     | B5      |        |        |        |        |
| <b>122</b> |        |        | B5     | B5     | B5      | B5     | B5     | B5     | B5     |
| <b>123</b> |        |        | B5     | B5     | B5      | B5     |        |        |        |

## 4.5 SHRINK DISC



|                | D3 | D4 | G4  | G5  | T1 | T2 | CL  | MT 12.9 (Nm) |
|----------------|----|----|-----|-----|----|----|-----|--------------|
| <b>052/053</b> | 31 | 30 | 152 | 60  | 35 | 35 | 74  | 15           |
| <b>062/063</b> | 36 | 35 | 173 | 70  | 40 | 35 | 80  | 15           |
| <b>082/083</b> | 41 | 40 | 217 | 90  | 50 | 40 | 100 | 15           |
| <b>082/083</b> | 41 | 40 | 217 | 90  | 50 | 40 | 100 | 15           |
| <b>102/103</b> | 51 | 50 | 248 | 105 | 55 | 40 | 115 | 15           |
| <b>122/123</b> | 61 | 60 | 282 | 120 | 60 | 50 | 145 | 40           |

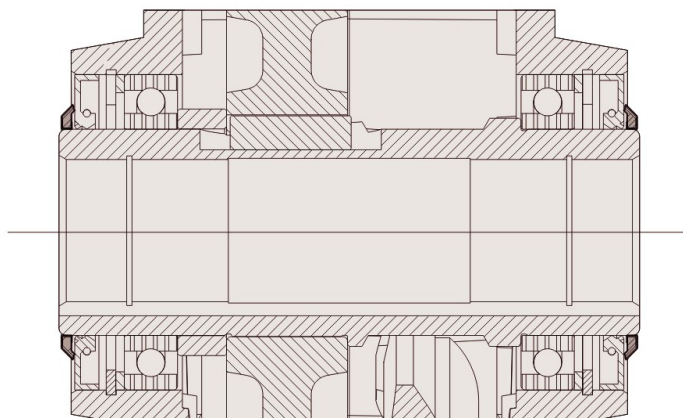
Clean and degrease the surfaces of the shaft to be fitted to. Comply with the indicated tightening torque of screws (MT).

The shrink disc is designed only to transmit the output torque.

In case of mounting position with radial and/or axial loads, please contact the technical support.



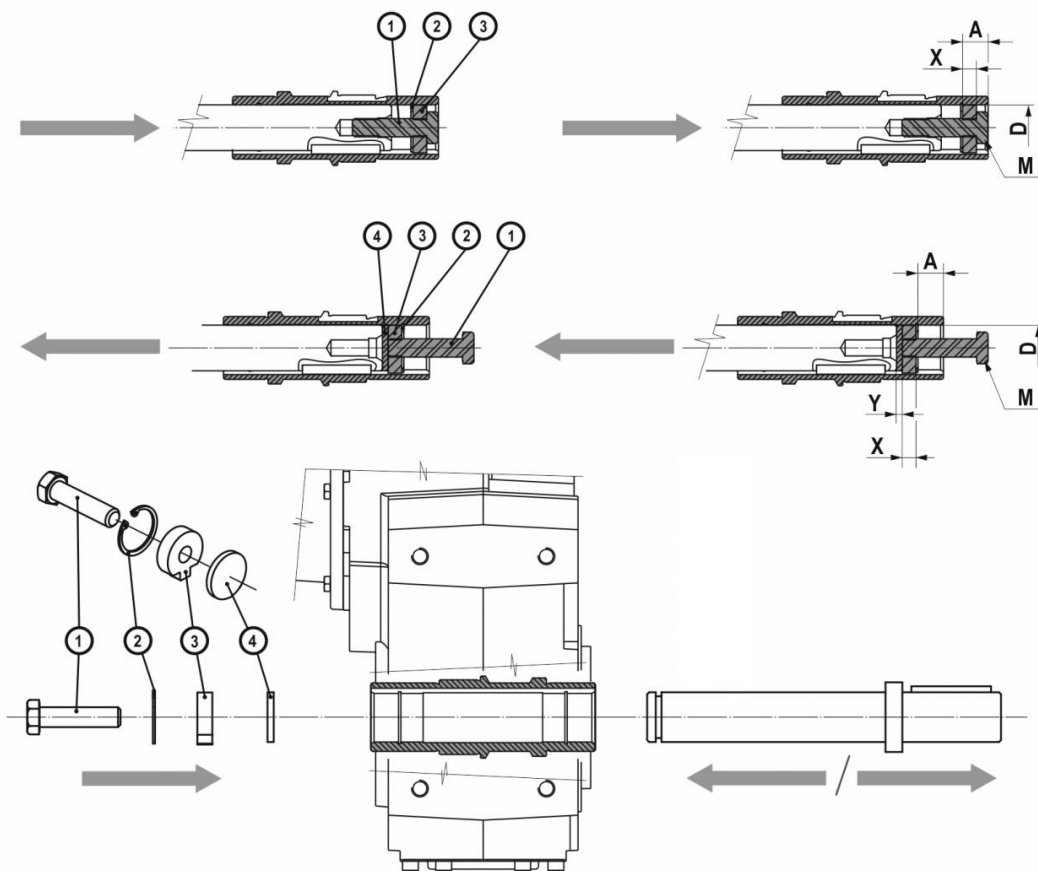
Certified accessory for ATEX 3G/3D, only.



The reinforced seal can be done depending on the gearbox size by means of two oil seals or through the standard oil seal with VRM ring. The difference of the two solutions is explained on the above drawings. Available for all sizes.

As an option, the gear reducer can be supplied with FPM (FKM) seals.



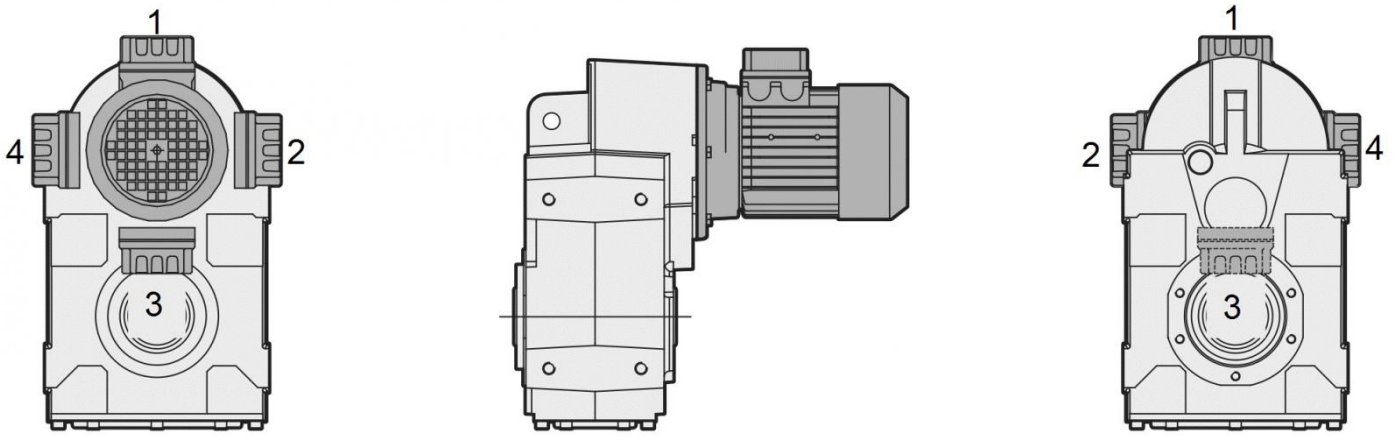


|                 | D  | A     | X  | Y | M      |
|-----------------|----|-------|----|---|--------|
| <b>S052/053</b> | 30 | 13,8  | 10 | 5 | M10x35 |
| <b>S062/063</b> | 35 | 12    | 12 | 5 | M16x50 |
| <b>S082/083</b> | 40 | 22,25 | 12 | 5 | M16x50 |
|                 | 45 | 22,25 | 12 | 5 | M16x50 |
| <b>S102/103</b> | 50 | 25    | 12 | 5 | M16x50 |
| <b>S122/123</b> | 60 | 28    | 16 | 5 | M20x70 |

Mounting/dismounting kit for hollow shaft gear reducers with keyway. On request delivery includes:

1. Retaining bolt
2. Circlip
3. Fixed nut
4. Forcing washer

## 4.8 POSITION OF TERMINAL BOX



Unless otherwise specified when ordering, the gear reducer is supplied with terminal box in position 1.

## 5.1 S GEARED MOTORS (50Hz)

If “Ex” mark is present, contact MOTOVARIO TECHNICAL SERVICE.

## 0.09 kW

| n2 [rpm] | M2 [Nm] | fs  | i      | Gear reducer | Motor  | Fr2 D [N] | Fr2 C-L [N] |
|----------|---------|-----|--------|--------------|--------|-----------|-------------|
| 7.3      | 111     | 2.7 | 117.48 | S053         | TS63A6 | 6000      | 6000        |
| 6.3      | 130     | 2.3 | 137.45 | S053         | TS63A6 | 6000      | 6000        |
| 4.8      | 168     | 1.8 | 177.55 | S053         | TS63A6 | 6000      | 6000        |
| 4.3      | 188     | 1.6 | 198.45 | S053         | TS63A6 | 6000      | 6000        |
| 4.0      | 207     | 1.4 | 217.64 | S053         | TS63A6 | 6000      | 6000        |
| 3.4      | 243     | 1.2 | 256.33 | S053         | TS63A6 | 6000      | 6000        |

## 0.12 kW

| n2 [rpm] | M2 [Nm] | fs  | i      | Gear reducer | Motor  | Fr2 D [N] | Fr2 C-L [N] |
|----------|---------|-----|--------|--------------|--------|-----------|-------------|
| 11.6     | 94      | 3.2 | 74.20  | S053         | TS63B6 | 6000      | 6000        |
| 11.4     | 94      | 3.1 | 117.48 | S053         | TS63A4 | 6000      | 6000        |
| 9.7      | 111     | 2.7 | 137.45 | S053         | TS63A4 | 6000      | 6000        |
| 9.0      | 121     | 2.5 | 95.84  | S053         | TS63B6 | 6000      | 6000        |
| 7.5      | 143     | 2.1 | 177.55 | S053         | TS63A4 | 6000      | 6000        |
| 7.3      | 149     | 2.0 | 117.48 | S053         | TS63B6 | 6000      | 6000        |
| 6.8      | 160     | 1.9 | 198.45 | S053         | TS63A4 | 6000      | 6000        |
| 6.3      | 174     | 1.7 | 137.45 | S053         | TS63B6 | 6000      | 6000        |
| 6.2      | 175     | 1.7 | 217.64 | S053         | TS63A4 | 6000      | 6000        |
| 5.2      | 206     | 1.4 | 256.33 | S053         | TS63A4 | 6000      | 6000        |
| 4.8      | 225     | 1.3 | 177.55 | S053         | TS63B6 | 6000      | 6000        |
| 4.3      | 251     | 1.2 | 198.45 | S053         | TS63B6 | 6000      | 6000        |
| 4.3      | 253     | 1.2 | 314.21 | S053         | TS63A4 | 6000      | 6000        |
| 4.0      | 275     | 1.1 | 217.64 | S053         | TS63B6 | 6000      | 6000        |

## 0.15 kW

| n2 [rpm] | M2 [Nm] | fs  | i      | Gear reducer | Motor  | Fr2 D [N] | Fr2 C-L [N] |
|----------|---------|-----|--------|--------------|--------|-----------|-------------|
| 10.9     | 125     | 2.4 | 74.20  | S053         | TS63C6 | 6000      | 6000        |
| 8.5      | 161     | 1.9 | 95.84  | S053         | TS63C6 | 6000      | 6000        |
| 6.9      | 197     | 1.5 | 117.48 | S053         | TS63C6 | 6000      | 6000        |
| 5.9      | 231     | 1.3 | 137.45 | S053         | TS63C6 | 6000      | 6000        |
| 4.6      | 298     | 1.0 | 177.55 | S053         | TS63C6 | 6000      | 6000        |

## 0.18 kW

| n2 [rpm] | M2 [Nm] | fs | i      | Gear reducer | Motor  | Fr2 D [N] | Fr2 C-L [N] |
|----------|---------|----|--------|--------------|--------|-----------|-------------|
| 20.4     | 77      | Ex | 137.45 | S053         | TS63A2 | 6000      | 6000        |

## 5.1 S GEARED MOTORS (50Hz)

## 0.18 kW

| n <sub>2</sub><br>[rpm] | M <sub>2</sub><br>[Nm] | f <sub>s</sub> | i      | Gear<br>reducer | Motor  | Fr <sub>2</sub><br>D [N] | Fr <sub>2</sub><br>C-L [N] |
|-------------------------|------------------------|----------------|--------|-----------------|--------|--------------------------|----------------------------|
| 17.9                    | 90                     | 3.3            | 74.20  | S053            | TS63B4 | 6000                     | 6000                       |
| 17.2                    | 97                     | 3.1            | 52.25  | S052            | TS71A6 | 6000                     | 6000                       |
| 15.8                    | 99                     | Ex             | 177.55 | S053            | TS63A2 | 6000                     | 6000                       |
| 15.6                    | 107                    | 2.8            | 57.86  | S052            | TS71A6 | 6000                     | 6000                       |
| 14.1                    | 111                    | Ex             | 198.45 | S053            | TS63A2 | 6000                     | 6000                       |
| 13.9                    | 116                    | 2.6            | 95.84  | S053            | TS63B4 | 6000                     | 6000                       |
| 12.9                    | 121                    | Ex             | 217.64 | S053            | TS63A2 | 6000                     | 6000                       |
| 12.4                    | 135                    | 2.2            | 72.83  | S052            | TS71A6 | 6000                     | 6000                       |
| 12.1                    | 135                    | 2.2            | 74.20  | S053            | TS71A6 | 6000                     | 6000                       |
| 11.3                    | 143                    | 2.1            | 117.48 | S053            | TS63B4 | 6000                     | 6000                       |
| 10.9                    | 143                    | Ex             | 256.33 | S053            | TS63A2 | 6000                     | 6000                       |
| 9.7                     | 167                    | 1.8            | 137.45 | S053            | TS63B4 | 6000                     | 6000                       |
| 9.4                     | 174                    | 1.7            | 95.84  | S053            | TS71A6 | 6000                     | 6000                       |
| 9.0                     | 181                    | 2.8            | 99.89  | S063            | TS71A6 | 10000                    | 4000                       |
| 8.9                     | 175                    | Ex             | 314.21 | S053            | TS63A2 | 6000                     | 6000                       |
| 7.7                     | 213                    | 1.4            | 117.48 | S053            | TS71A6 | 6000                     | 6000                       |
| 7.5                     | 216                    | 1.4            | 177.55 | S053            | TS63B4 | 6000                     | 6000                       |
| 7.1                     | 229                    | 2.2            | 126.43 | S063            | TS71A6 | 10000                    | 4000                       |
| 6.7                     | 241                    | 1.3            | 198.45 | S053            | TS63B4 | 6000                     | 6000                       |
| 6.5                     | 249                    | 1.2            | 137.45 | S053            | TS71A6 | 6000                     | 6000                       |
| 6.1                     | 264                    | 1.1            | 217.64 | S053            | TS63B4 | 6000                     | 6000                       |
| 6.0                     | 274                    | 1.9            | 150.85 | S063            | TS71A6 | 10000                    | 4000                       |
| 5.7                     | 288                    | 3.0            | 158.76 | S083            | TS71A6 | 18000                    | 7200                       |
| 4.9                     | 336                    | 1.5            | 185.05 | S063            | TS71A6 | 10000                    | 4000                       |
| 4.9                     | 335                    | 2.5            | 184.88 | S083            | TS71A6 | 18000                    | 7200                       |
| 4.4                     | 368                    | 2.3            | 203.11 | S083            | TS71A6 | 18000                    | 7200                       |
| 4.1                     | 395                    | 1.3            | 217.79 | S063            | TS71A6 | 10000                    | 4000                       |
| 3.6                     | 454                    | 1.9            | 250.50 | S083            | TS71A6 | 18000                    | 7200                       |
| 3.4                     | 484                    | 1.1            | 267.16 | S063            | TS71A6 | 10000                    | 4000                       |
| 3.3                     | 497                    | 2.7            | 274.20 | S103            | TS71A6 | 22000                    | 9000                       |
| 3.1                     | 530                    | 1.6            | 292.36 | S083            | TS71A6 | 18000                    | 7200                       |
| 2.9                     | 573                    | 1.5            | 315.73 | S083            | TS71A6 | 18000                    | 7200                       |
| 2.8                     | 582                    | 2.4            | 320.79 | S103            | TS71A6 | 22000                    | 9000                       |
| 2.6                     | 627                    | 2.2            | 345.60 | S103            | TS71A6 | 22000                    | 9000                       |
| 2.5                     | 654                    | 1.3            | 360.58 | S083            | TS71A6 | 18000                    | 7200                       |
| 2.3                     | 716                    | 1.9            | 394.69 | S103            | TS71A6 | 22000                    | 9000                       |

## 0.22 kW

| n <sub>2</sub><br>[rpm] | M <sub>2</sub><br>[Nm] | f <sub>s</sub> | i     | Gear<br>reducer | Motor  | Fr <sub>2</sub><br>D [N] | Fr <sub>2</sub><br>C-L [N] |
|-------------------------|------------------------|----------------|-------|-----------------|--------|--------------------------|----------------------------|
| 17.9                    | 110                    | 2.7            | 74.20 | S053            | TS63C4 | 6000                     | 6000                       |

## 5.1 S GEARED MOTORS (50Hz)

## 0.22 kW

| n2 [rpm] | M2 [Nm] | fs  | i      | Gear reducer | Motor  | Fr2 D [N] | Fr2 C-L [N] |
|----------|---------|-----|--------|--------------|--------|-----------|-------------|
| 13.9     | 142     | 2.1 | 95.84  | S053         | TS63C4 | 6000      | 6000        |
| 11.3     | 174     | 1.7 | 117.48 | S053         | TS63C4 | 6000      | 6000        |
| 9.7      | 204     | 1.5 | 137.45 | S053         | TS63C4 | 6000      | 6000        |
| 7.5      | 264     | 1.1 | 177.55 | S053         | TS63C4 | 6000      | 6000        |
| 6.7      | 295     | 1.0 | 198.45 | S053         | TS63C4 | 6000      | 6000        |

## 0.25 kW

| n2 [rpm] | M2 [Nm] | fs  | i      | Gear reducer | Motor  | Fr2 D [N] | Fr2 C-L [N] |
|----------|---------|-----|--------|--------------|--------|-----------|-------------|
| 30.0     | 77      | 2.7 | 30.00  | S052         | TS71B6 | 6000      | 6000        |
| 29.2     | 74      | Ex  | 95.84  | S053         | TS63B2 | 6000      | 6000        |
| 27.6     | 84      | 3.1 | 32.55  | S052         | TS71B6 | 6000      | 6000        |
| 24.6     | 94      | 3.0 | 36.55  | S052         | TS71B6 | 6000      | 6000        |
| 24.0     | 95      | 3.1 | 57.86  | S052         | TS71A4 | 6000      | 6000        |
| 23.8     | 91      | Ex  | 117.48 | S053         | TS63B2 | 6000      | 6000        |
| 22.6     | 103     | 2.9 | 39.90  | S052         | TS71B6 | 6000      | 6000        |
| 21.1     | 110     | 2.7 | 42.63  | S052         | TS71B6 | 6000      | 6000        |
| 20.4     | 106     | Ex  | 137.45 | S053         | TS63B2 | 6000      | 6000        |
| 19.1     | 121     | 2.5 | 47.20  | S052         | TS71B6 | 6000      | 6000        |
| 19.1     | 120     | 2.5 | 72.83  | S052         | TS71A4 | 6000      | 6000        |
| 18.7     | 120     | 2.5 | 74.20  | S053         | TS71A4 | 6000      | 6000        |
| 17.8     | 126     | 2.4 | 74.20  | S053         | TS63D4 | 6000      | 6000        |
| 17.2     | 134     | 2.2 | 52.25  | S052         | TS71B6 | 6000      | 6000        |
| 15.8     | 137     | Ex  | 177.55 | S053         | TS63B2 | 6000      | 6000        |
| 15.6     | 149     | 2.0 | 57.86  | S052         | TS71B6 | 6000      | 6000        |
| 14.5     | 155     | 1.9 | 95.84  | S053         | TS71A4 | 6000      | 6000        |
| 14.1     | 153     | Ex  | 198.45 | S053         | TS63B2 | 6000      | 6000        |
| 13.9     | 161     | 3.2 | 99.89  | S063         | TS71A4 | 10000     | 4000        |
| 13.8     | 163     | 1.8 | 95.84  | S053         | TS63D4 | 6000      | 6000        |
| 13.3     | 174     | 2.9 | 67.47  | S062         | TS71B6 | 10000     | 4000        |
| 12.9     | 168     | Ex  | 217.64 | S053         | TS63B2 | 6000      | 6000        |
| 12.4     | 187     | 1.6 | 72.83  | S052         | TS71B6 | 6000      | 6000        |
| 12.1     | 187     | 1.6 | 74.20  | S053         | TS71B6 | 6000      | 6000        |
| 11.8     | 190     | 1.6 | 117.48 | S053         | TS71A4 | 6000      | 6000        |
| 11.2     | 200     | 1.5 | 117.48 | S053         | TS63D4 | 6000      | 6000        |
| 11.1     | 205     | 2.5 | 81.43  | S063         | TS71B6 | 10000     | 4000        |
| 11.0     | 204     | 2.5 | 126.43 | S063         | TS71A4 | 10000     | 4000        |
| 10.9     | 198     | Ex  | 256.33 | S053         | TS63B2 | 6000      | 6000        |
| 10.1     | 222     | 1.4 | 137.45 | S053         | TS71A4 | 6000      | 6000        |
| 9.6      | 234     | 1.3 | 137.45 | S053         | TS63D4 | 6000      | 6000        |
| 9.4      | 241     | 1.2 | 95.84  | S053         | TS71B6 | 6000      | 6000        |

## 5.1 S GEARED MOTORS (50Hz)

## 0.25 kW

| n <sub>2</sub><br>[rpm] | M <sub>2</sub><br>[Nm] | f <sub>s</sub> | i      | Gear<br>reducer | Motor  | Fr <sub>2</sub><br>D [N] | Fr <sub>2</sub><br>C-L [N] |
|-------------------------|------------------------|----------------|--------|-----------------|--------|--------------------------|----------------------------|
| 9.2                     | 244                    | 2.1            | 150.85 | S063            | TS71A4 | 10000                    | 4000                       |
| 9.0                     | 252                    | 2.0            | 99.89  | S063            | TS71B6 | 10000                    | 4000                       |
| 8.8                     | 256                    | 3.3            | 158.76 | S083            | TS71A4 | 18000                    | 7200                       |
| 7.8                     | 287                    | 1.0            | 177.55 | S053            | TS71A4 | 6000                     | 6000                       |
| 7.7                     | 296                    | 1.0            | 117.48 | S053            | TS71B6 | 6000                     | 6000                       |
| 7.7                     | 295                    | 2.9            | 117.17 | S083            | TS71B6 | 18000                    | 7200                       |
| 7.5                     | 299                    | 1.7            | 185.05 | S063            | TS71A4 | 10000                    | 4000                       |
| 7.5                     | 299                    | 2.8            | 184.88 | S083            | TS71A4 | 18000                    | 7200                       |
| 7.1                     | 318                    | 1.6            | 126.43 | S063            | TS71B6 | 10000                    | 4000                       |
| 7.0                     | 324                    | 2.6            | 128.73 | S083            | TS71B6 | 18000                    | 7200                       |
| 6.8                     | 328                    | 2.6            | 203.11 | S083            | TS71A4 | 18000                    | 7200                       |
| 6.4                     | 352                    | 1.5            | 217.79 | S063            | TS71A4 | 10000                    | 4000                       |
| 6.0                     | 380                    | 1.3            | 150.85 | S063            | TS71B6 | 10000                    | 4000                       |
| 5.7                     | 400                    | 2.1            | 158.76 | S083            | TS71B6 | 18000                    | 7200                       |
| 5.5                     | 404                    | 2.1            | 250.50 | S083            | TS71A4 | 18000                    | 7200                       |
| 5.2                     | 431                    | 1.2            | 267.16 | S063            | TS71A4 | 10000                    | 4000                       |
| 5.2                     | 438                    | 3.1            | 173.78 | S103            | TS71B6 | 22000                    | 9000                       |
| 5.1                     | 443                    | 3.1            | 274.20 | S103            | TS71A4 | 22000                    | 9000                       |
| 4.9                     | 466                    | 1.1            | 185.05 | S063            | TS71B6 | 10000                    | 4000                       |
| 4.9                     | 466                    | 1.8            | 184.88 | S083            | TS71B6 | 18000                    | 7200                       |
| 4.8                     | 472                    | 1.8            | 292.36 | S083            | TS71A4 | 18000                    | 7200                       |
| 4.4                     | 512                    | 1.7            | 203.11 | S083            | TS71B6 | 18000                    | 7200                       |
| 4.4                     | 510                    | 1.7            | 315.73 | S083            | TS71A4 | 18000                    | 7200                       |
| 4.4                     | 512                    | 2.7            | 203.11 | S103            | TS71B6 | 22000                    | 9000                       |
| 4.3                     | 518                    | 2.6            | 320.79 | S103            | TS71A4 | 22000                    | 9000                       |
| 4.0                     | 561                    | 2.4            | 222.85 | S103            | TS71B6 | 22000                    | 9000                       |
| 4.0                     | 558                    | 2.4            | 345.60 | S103            | TS71A4 | 22000                    | 9000                       |
| 3.9                     | 582                    | 1.5            | 360.58 | S083            | TS71A4 | 18000                    | 7200                       |
| 3.6                     | 631                    | 1.3            | 250.50 | S083            | TS71B6 | 18000                    | 7200                       |
| 3.5                     | 637                    | 2.1            | 394.69 | S103            | TS71A4 | 22000                    | 9000                       |
| 3.3                     | 691                    | 2.0            | 274.20 | S103            | TS71B6 | 22000                    | 9000                       |
| 3.1                     | 736                    | 1.1            | 292.36 | S083            | TS71B6 | 18000                    | 7200                       |
| 2.9                     | 795                    | 1.1            | 315.73 | S083            | TS71B6 | 18000                    | 7200                       |
| 2.8                     | 808                    | 1.7            | 320.79 | S103            | TS71B6 | 22000                    | 9000                       |
| 2.6                     | 870                    | 1.6            | 345.60 | S103            | TS71B6 | 22000                    | 9000                       |
| 2.3                     | 994                    | 1.4            | 394.69 | S103            | TS71B6 | 22000                    | 9000                       |

## 0.37 kW

| n <sub>2</sub><br>[rpm] | M <sub>2</sub><br>[Nm] | f <sub>s</sub> | i     | Gear<br>reducer | Motor  | Fr <sub>2</sub><br>D [N] | Fr <sub>2</sub><br>C-L [N] |
|-------------------------|------------------------|----------------|-------|-----------------|--------|--------------------------|----------------------------|
| 54.0                    | 63                     | 2.7            | 16.29 | S052            | TS71C6 | 5904                     | 5904                       |

## 5.1 S GEARED MOTORS (50Hz)

## 0.37 kW

| n <sub>2</sub><br>[rpm] | M <sub>2</sub><br>[Nm] | f <sub>s</sub> | i      | Gear<br>reducer | Motor  | Fr <sub>2</sub><br>D [N] | Fr <sub>2</sub><br>C-L [N] |
|-------------------------|------------------------|----------------|--------|-----------------|--------|--------------------------|----------------------------|
| 50.5                    | 68                     | 2.6            | 18.63  | S052            | TS80A6 | 6000                     | 6000                       |
| 48.7                    | 67                     | Ex             | 57.86  | S052            | TS71A2 | 6000                     | 6000                       |
| 47.2                    | 73                     | 2.4            | 18.63  | S052            | TS71C6 | 6000                     | 6000                       |
| 46.0                    | 74                     | 2.8            | 30.00  | S052            | TS71B4 | 6000                     | 6000                       |
| 44.7                    | 77                     | 2.5            | 21.04  | S052            | TS80A6 | 6000                     | 6000                       |
| 42.4                    | 80                     | 3.2            | 32.55  | S052            | TS71B4 | 6000                     | 6000                       |
| 41.8                    | 82                     | 2.3            | 21.04  | S052            | TS71C6 | 6000                     | 6000                       |
| 39.1                    | 88                     | 2.1            | 24.07  | S052            | TS80A6 | 6000                     | 6000                       |
| 38.7                    | 85                     | Ex             | 72.83  | S052            | TS71A2 | 6000                     | 6000                       |
| 38.0                    | 84                     | Ex             | 74.20  | S053            | TS71A2 | 6000                     | 6000                       |
| 37.8                    | 90                     | 3.1            | 36.55  | S052            | TS71B4 | 6000                     | 6000                       |
| 37.6                    | 85                     | Ex             | 74.20  | S053            | TS63C2 | 6000                     | 6000                       |
| 36.6                    | 94                     | 2.0            | 24.07  | S052            | TS71C6 | 6000                     | 6000                       |
| 36.5                    | 94                     | 2.2            | 25.79  | S052            | TS80A6 | 6000                     | 6000                       |
| 34.6                    | 98                     | 3.0            | 39.90  | S052            | TS71B4 | 6000                     | 6000                       |
| 34.1                    | 100                    | 2.1            | 25.79  | S052            | TS71C6 | 6000                     | 6000                       |
| 33.8                    | 101                    | 2.1            | 27.81  | S052            | TS80A6 | 6000                     | 6000                       |
| 32.4                    | 105                    | 2.8            | 42.63  | S052            | TS71B4 | 6000                     | 6000                       |
| 31.6                    | 108                    | 1.9            | 27.81  | S052            | TS71C6 | 6000                     | 6000                       |
| 31.3                    | 109                    | 1.9            | 30.00  | S052            | TS80A6 | 6000                     | 6000                       |
| 29.4                    | 109                    | Ex             | 95.84  | S053            | TS71A2 | 6000                     | 6000                       |
| 29.3                    | 117                    | 1.8            | 30.00  | S052            | TS71C6 | 6000                     | 6000                       |
| 29.2                    | 116                    | 2.6            | 47.20  | S052            | TS71B4 | 6000                     | 6000                       |
| 29.1                    | 110                    | Ex             | 95.84  | S053            | TS63C2 | 6000                     | 6000                       |
| 28.9                    | 119                    | 2.2            | 32.55  | S052            | TS80A6 | 6000                     | 6000                       |
| 28.2                    | 114                    | Ex             | 99.89  | S063            | TS71A2 | 10000                    | 4000                       |
| 27.0                    | 127                    | 2.0            | 32.55  | S052            | TS71C6 | 6000                     | 6000                       |
| 26.4                    | 128                    | 2.3            | 52.25  | S052            | TS71B4 | 6000                     | 6000                       |
| 25.7                    | 133                    | 2.1            | 36.55  | S052            | TS80A6 | 6000                     | 6000                       |
| 24.1                    | 142                    | 2.0            | 36.55  | S052            | TS71C6 | 6000                     | 6000                       |
| 24.0                    | 134                    | Ex             | 117.48 | S053            | TS71A2 | 6000                     | 6000                       |
| 23.8                    | 142                    | 2.1            | 57.86  | S052            | TS71B4 | 6000                     | 6000                       |
| 23.7                    | 135                    | Ex             | 117.48 | S053            | TS63C2 | 6000                     | 6000                       |
| 23.6                    | 145                    | 2.0            | 39.90  | S052            | TS80A6 | 6000                     | 6000                       |
| 22.3                    | 144                    | Ex             | 126.43 | S063            | TS71A2 | 10000                    | 4000                       |
| 22.1                    | 155                    | 1.9            | 39.90  | S052            | TS71C6 | 6000                     | 6000                       |
| 22.1                    | 155                    | 1.9            | 42.63  | S052            | TS80A6 | 6000                     | 6000                       |
| 21.5                    | 159                    | 3.2            | 43.64  | S062            | TS80A6 | 10000                    | 4000                       |
| 20.6                    | 166                    | 1.8            | 42.63  | S052            | TS71C6 | 6000                     | 6000                       |
| 20.5                    | 156                    | Ex             | 137.45 | S053            | TS71A2 | 6000                     | 6000                       |
| 20.5                    | 166                    | 3.1            | 67.47  | S062            | TS71B4 | 10000                    | 4000                       |

## 5.1 S GEARED MOTORS (50Hz)

## 0.37 kW

| n2<br>[rpm] | M2<br>[Nm] | fs  | i      | Gear<br>reducer | Motor  | Fr2<br>D [N] | Fr2<br>C-L [N] |
|-------------|------------|-----|--------|-----------------|--------|--------------|----------------|
| 20.4        | 168        | 3.0 | 46.10  | S062            | TS80A6 | 10000        | 4000           |
| 20.3        | 158        | Ex  | 137.45 | S053            | TS63C2 | 6000         | 6000           |
| 20.2        | 170        | 3.0 | 43.64  | S062            | TS71C6 | 10000        | 4000           |
| 19.9        | 172        | 1.7 | 47.20  | S052            | TS80A6 | 6000         | 6000           |
| 19.1        | 179        | 2.8 | 46.10  | S062            | TS71C6 | 10000        | 4000           |
| 18.9        | 179        | 1.7 | 72.83  | S052            | TS71B4 | 6000         | 6000           |
| 18.7        | 171        | Ex  | 150.85 | S063            | TS71A2 | 10000        | 4000           |
| 18.6        | 184        | 1.6 | 47.20  | S052            | TS71C6 | 6000         | 6000           |
| 18.6        | 179        | 1.7 | 74.20  | S053            | TS71B4 | 6000         | 6000           |
| 18.0        | 190        | 1.6 | 52.25  | S052            | TS80A6 | 6000         | 6000           |
| 17.6        | 195        | 2.6 | 53.53  | S062            | TS80A6 | 10000        | 4000           |
| 17.1        | 200        | 2.5 | 55.00  | S062            | TS80A6 | 10000        | 4000           |
| 16.9        | 196        | 2.6 | 81.43  | S063            | TS71B4 | 10000        | 4000           |
| 16.8        | 203        | 1.5 | 52.25  | S052            | TS71C6 | 6000         | 6000           |
| 16.4        | 208        | 2.4 | 53.53  | S062            | TS71C6 | 10000        | 4000           |
| 16.2        | 211        | 1.4 | 57.86  | S052            | TS80A6 | 6000         | 6000           |
| 16.0        | 214        | 2.4 | 55.00  | S062            | TS71C6 | 10000        | 4000           |
| 15.9        | 202        | Ex  | 177.55 | S053            | TS71A2 | 6000         | 6000           |
| 15.7        | 204        | Ex  | 177.55 | S053            | TS63C2 | 6000         | 6000           |
| 15.3        | 210        | Ex  | 184.88 | S083            | TS71A2 | 18000        | 7200           |
| 15.2        | 225        | 1.3 | 57.86  | S052            | TS71C6 | 6000         | 6000           |
| 15.2        | 210        | Ex  | 185.05 | S063            | TS71A2 | 10000        | 4000           |
| 14.4        | 231        | 1.3 | 95.84  | S053            | TS71B4 | 6000         | 6000           |
| 14.2        | 226        | Ex  | 198.45 | S053            | TS71A2 | 6000         | 6000           |
| 14.1        | 228        | Ex  | 198.45 | S053            | TS63C2 | 6000         | 6000           |
| 13.9        | 246        | 2.1 | 67.47  | S062            | TS80A6 | 10000        | 4000           |
| 13.9        | 231        | Ex  | 203.11 | S083            | TS71A2 | 18000        | 7200           |
| 13.8        | 240        | 2.1 | 99.89  | S063            | TS71B4 | 10000        | 4000           |
| 13.0        | 263        | 1.9 | 67.47  | S062            | TS71C6 | 10000        | 4000           |
| 12.9        | 265        | 1.1 | 72.83  | S052            | TS80A6 | 6000         | 6000           |
| 12.9        | 248        | Ex  | 217.79 | S063            | TS71A2 | 10000        | 4000           |
| 12.7        | 265        | 1.1 | 74.20  | S053            | TS80A6 | 6000         | 6000           |
| 12.7        | 265        | 3.2 | 74.18  | S083            | TS80A6 | 18000        | 7200           |
| 12.1        | 284        | 1.1 | 72.83  | S052            | TS71C6 | 6000         | 6000           |
| 11.9        | 283        | 1.1 | 74.20  | S053            | TS71C6 | 6000         | 6000           |
| 11.8        | 282        | 3.0 | 117.17 | S083            | TS71B4 | 18000        | 7200           |
| 11.7        | 283        | 1.0 | 117.48 | S053            | TS71B4 | 6000         | 6000           |
| 11.5        | 291        | 1.8 | 81.43  | S063            | TS80A6 | 10000        | 4000           |
| 11.3        | 285        | Ex  | 250.50 | S083            | TS71A2 | 18000        | 7200           |
| 10.9        | 304        | 1.7 | 126.43 | S063            | TS71B4 | 10000        | 4000           |
| 10.8        | 310        | 1.6 | 81.43  | S063            | TS71C6 | 10000        | 4000           |



## 5.1 S GEARED MOTORS (50Hz)

## 0.37 kW

| n2<br>[rpm] | M2<br>[Nm] | fs  | i      | Gear<br>reducer | Motor  | Fr2<br>D [N] | Fr2<br>C-L [N] |
|-------------|------------|-----|--------|-----------------|--------|--------------|----------------|
| 10.7        | 310        | 2.7 | 128.73 | S083            | TS71B4 | 18000        | 7200           |
| 10.6        | 304        | Ex  | 267.16 | S063            | TS71A2 | 10000        | 4000           |
| 10.3        | 327        | 2.6 | 91.49  | S083            | TS80A6 | 18000        | 7200           |
| 9.6         | 332        | Ex  | 292.36 | S083            | TS71A2 | 18000        | 7200           |
| 9.4         | 356        | 1.4 | 99.89  | S063            | TS80A6 | 10000        | 4000           |
| 9.1         | 363        | 1.4 | 150.85 | S063            | TS71B4 | 10000        | 4000           |
| 8.9         | 359        | Ex  | 315.73 | S083            | TS71A2 | 18000        | 7200           |
| 8.8         | 381        | 1.3 | 99.89  | S063            | TS71C6 | 10000        | 4000           |
| 8.7         | 382        | 2.2 | 158.76 | S083            | TS71B4 | 18000        | 7200           |
| 8.0         | 418        | 2.0 | 117.17 | S083            | TS80A6 | 18000        | 7200           |
| 8.0         | 421        | 3.2 | 110.55 | S103            | TS71C6 | 22000        | 9000           |
| 7.9         | 418        | 3.3 | 173.78 | S103            | TS71B4 | 22000        | 9000           |
| 7.8         | 410        | Ex  | 360.58 | S083            | TS71A2 | 18000        | 7200           |
| 7.5         | 445        | 1.2 | 185.05 | S063            | TS71B4 | 10000        | 4000           |
| 7.5         | 447        | 1.9 | 117.17 | S083            | TS71C6 | 18000        | 7200           |
| 7.5         | 445        | 1.9 | 184.88 | S083            | TS71B4 | 18000        | 7200           |
| 7.4         | 451        | 1.1 | 126.43 | S063            | TS80A6 | 10000        | 4000           |
| 7.3         | 459        | 1.9 | 128.73 | S083            | TS80A6 | 18000        | 7200           |
| 7.3         | 459        | 3.0 | 128.73 | S103            | TS80A6 | 22000        | 9000           |
| 7.0         | 482        | 1.1 | 126.43 | S063            | TS71C6 | 10000        | 4000           |
| 6.8         | 491        | 1.7 | 128.73 | S083            | TS71C6 | 18000        | 7200           |
| 6.8         | 489        | 1.7 | 203.11 | S083            | TS71B4 | 18000        | 7200           |
| 6.8         | 489        | 2.8 | 203.11 | S103            | TS71B4 | 22000        | 9000           |
| 6.8         | 491        | 2.8 | 128.73 | S103            | TS71C6 | 22000        | 9000           |
| 6.7         | 504        | 2.7 | 141.24 | S103            | TS80A6 | 22000        | 9000           |
| 6.2         | 538        | 2.5 | 141.24 | S103            | TS71C6 | 22000        | 9000           |
| 6.2         | 536        | 2.5 | 222.85 | S103            | TS71B4 | 22000        | 9000           |
| 5.9         | 567        | 1.5 | 158.76 | S083            | TS80A6 | 18000        | 7200           |
| 5.5         | 605        | 1.4 | 158.76 | S083            | TS71C6 | 18000        | 7200           |
| 5.5         | 603        | 1.4 | 250.50 | S083            | TS71B4 | 18000        | 7200           |
| 5.4         | 620        | 2.2 | 173.78 | S103            | TS80A6 | 22000        | 9000           |
| 5.1         | 660        | 1.3 | 184.88 | S083            | TS80A6 | 18000        | 7200           |
| 5.1         | 662        | 2.1 | 173.78 | S103            | TS71C6 | 22000        | 9000           |
| 5.0         | 660        | 2.1 | 274.20 | S103            | TS71B4 | 22000        | 9000           |
| 4.8         | 705        | 1.2 | 184.88 | S083            | TS71C6 | 18000        | 7200           |
| 4.7         | 704        | 1.2 | 292.36 | S083            | TS71B4 | 18000        | 7200           |
| 4.6         | 725        | 1.2 | 203.11 | S083            | TS80A6 | 18000        | 7200           |
| 4.6         | 725        | 1.9 | 203.11 | S103            | TS80A6 | 22000        | 9000           |
| 4.4         | 760        | 1.1 | 315.73 | S083            | TS71B4 | 18000        | 7200           |
| 4.3         | 774        | 1.1 | 203.11 | S083            | TS71C6 | 18000        | 7200           |
| 4.3         | 774        | 1.8 | 203.11 | S103            | TS71C6 | 22000        | 9000           |

## 5.1 S GEARED MOTORS (50Hz)

## 0.37 kW

| n2 [rpm] | M2 [Nm] | fs  | i      | Gear reducer | Motor  | Fr2 D [N] | Fr2 C-L [N] |
|----------|---------|-----|--------|--------------|--------|-----------|-------------|
| 4.3      | 772     | 1.8 | 320.79 | S103         | TS71B4 | 22000     | 9000        |
| 4.2      | 795     | 1.7 | 222.85 | S103         | TS80A6 | 22000     | 9000        |
| 4.0      | 832     | 1.6 | 345.60 | S103         | TS71B4 | 22000     | 9000        |
| 3.9      | 850     | 1.6 | 222.85 | S103         | TS71C6 | 22000     | 9000        |
| 3.9      | 853     | 3.0 | 238.93 | S123         | TS80A6 | 30000     | 11200       |
| 3.5      | 950     | 1.4 | 394.69 | S103         | TS71B4 | 22000     | 9000        |
| 3.4      | 979     | 1.4 | 274.20 | S103         | TS80A6 | 22000     | 9000        |
| 3.4      | 1000    | 2.6 | 280.10 | S123         | TS80A6 | 30000     | 11200       |
| 3.2      | 1045    | 1.3 | 274.20 | S103         | TS71C6 | 22000     | 9000        |
| 3.1      | 1075    | 2.4 | 301.16 | S123         | TS80A6 | 30000     | 11200       |
| 2.9      | 1145    | 1.2 | 320.79 | S103         | TS80A6 | 22000     | 9000        |
| 2.7      | 1223    | 1.1 | 320.79 | S103         | TS71C6 | 22000     | 9000        |
| 2.7      | 1233    | 1.1 | 345.60 | S103         | TS80A6 | 22000     | 9000        |
| 2.7      | 1227    | 2.1 | 343.93 | S123         | TS80A6 | 30000     | 11200       |
| 2.5      | 1317    | 1.0 | 345.60 | S103         | TS71C6 | 22000     | 9000        |

## 0.55 kW

| n2 [rpm] | M2 [Nm] | fs  | i     | Gear reducer | Motor  | Fr2 D [N] | Fr2 C-L [N] |
|----------|---------|-----|-------|--------------|--------|-----------|-------------|
| 107.8    | 47      | 2.6 | 8.63  | S052         | TS80B6 | 4719      | 4719        |
| 86.3     | 56      | Ex  | 32.55 | S052         | TS71B2 | 5046      | 5046        |
| 83.5     | 61      | 2.2 | 11.14 | S052         | TS80B6 | 5079      | 5079        |
| 76.9     | 63      | Ex  | 36.55 | S052         | TS71B2 | 5215      | 5215        |
| 75.1     | 67      | 2.6 | 18.63 | S052         | TS80A4 | 5236      | 5236        |
| 73.5     | 69      | 2.5 | 18.63 | S052         | TS71C4 | 5267      | 5267        |
| 70.4     | 69      | Ex  | 39.90 | S052         | TS71B2 | 5346      | 5346        |
| 68.1     | 75      | 2.0 | 13.66 | S052         | TS80B6 | 5377      | 5377        |
| 66.6     | 76      | 2.5 | 21.04 | S052         | TS80A4 | 5415      | 5415        |
| 65.9     | 74      | Ex  | 42.63 | S052         | TS71B2 | 5445      | 5445        |
| 65.1     | 77      | 2.4 | 21.04 | S052         | TS71C4 | 5448      | 5448        |
| 60.9     | 84      | 2.1 | 15.27 | S052         | TS80B6 | 5544      | 5544        |
| 59.5     | 82      | Ex  | 47.20 | S052         | TS71B2 | 5600      | 5600        |
| 58.2     | 87      | 2.2 | 24.07 | S052         | TS80A4 | 5618      | 5618        |
| 57.1     | 89      | 2.0 | 16.29 | S052         | TS80B6 | 5641      | 5641        |
| 56.9     | 89      | 2.1 | 24.07 | S052         | TS71C4 | 5651      | 5651        |
| 54.3     | 93      | 2.2 | 25.79 | S052         | TS80A4 | 5723      | 5723        |
| 53.8     | 90      | Ex  | 52.25 | S052         | TS71B2 | 5756      | 5756        |
| 53.1     | 95      | 2.2 | 25.79 | S052         | TS71C4 | 5756      | 5756        |
| 50.3     | 100     | 2.1 | 27.81 | S052         | TS80A4 | 5838      | 5838        |
| 49.9     | 102     | 1.7 | 18.63 | S052         | TS80B6 | 5846      | 5846        |
| 49.3     | 102     | 2.0 | 27.81 | S052         | TS71C4 | 5872      | 5872        |

## 5.1 S GEARED MOTORS (50Hz)

## 0.55 kW

| n <sub>2</sub><br>[rpm] | M <sub>2</sub><br>[Nm] | f <sub>s</sub> | i     | Gear<br>reducer | Motor  | Fr <sub>2</sub><br>D [N] | Fr <sub>2</sub><br>C-L [N] |
|-------------------------|------------------------|----------------|-------|-----------------|--------|--------------------------|----------------------------|
| 48.6                    | 100                    | Ex             | 57.86 | S052            | TS71B2 | 5915                     | 5915                       |
| 46.7                    | 108                    | 1.9            | 30.00 | S052            | TS80A4 | 5955                     | 5955                       |
| 45.7                    | 110                    | 1.9            | 30.00 | S052            | TS71C4 | 5989                     | 5989                       |
| 44.2                    | 115                    | 1.6            | 21.04 | S052            | TS80B6 | 6000                     | 6000                       |
| 43.0                    | 117                    | 2.2            | 32.55 | S052            | TS80A4 | 6000                     | 6000                       |
| 42.1                    | 120                    | 2.1            | 32.55 | S052            | TS71C4 | 6000                     | 6000                       |
| 41.7                    | 117                    | Ex             | 67.47 | S062            | TS71B2 | 10000                    | 4000                       |
| 40.1                    | 127                    | 2.7            | 23.18 | S062            | TS80B6 | 10000                    | 4000                       |
| 38.6                    | 132                    | 1.4            | 24.07 | S052            | TS80B6 | 6000                     | 6000                       |
| 38.6                    | 126                    | Ex             | 72.83 | S052            | TS71B2 | 6000                     | 6000                       |
| 38.3                    | 132                    | 2.1            | 36.55 | S052            | TS80A4 | 6000                     | 6000                       |
| 37.9                    | 126                    | Ex             | 74.20 | S053            | TS71B2 | 6000                     | 6000                       |
| 37.5                    | 135                    | 2.1            | 36.55 | S052            | TS71C4 | 6000                     | 6000                       |
| 37.0                    | 138                    | 2.5            | 25.14 | S062            | TS80B6 | 10000                    | 4000                       |
| 36.1                    | 141                    | 1.5            | 25.79 | S052            | TS80B6 | 6000                     | 6000                       |
| 35.1                    | 144                    | 2.1            | 39.90 | S052            | TS80A4 | 6000                     | 6000                       |
| 34.5                    | 138                    | Ex             | 81.43 | S063            | TS71B2 | 10000                    | 4000                       |
| 34.3                    | 147                    | 2.0            | 39.90 | S052            | TS71C4 | 6000                     | 6000                       |
| 33.6                    | 151                    | 2.3            | 27.66 | S062            | TS80B6 | 10000                    | 4000                       |
| 33.4                    | 152                    | 1.4            | 27.81 | S052            | TS80B6 | 6000                     | 6000                       |
| 32.8                    | 154                    | 1.9            | 42.63 | S052            | TS80A4 | 6000                     | 6000                       |
| 32.1                    | 157                    | 1.9            | 42.63 | S052            | TS71C4 | 6000                     | 6000                       |
| 32.1                    | 157                    | 3.2            | 43.64 | S062            | TS80A4 | 10000                    | 4000                       |
| 31.4                    | 161                    | 3.2            | 43.64 | S062            | TS71C4 | 10000                    | 4000                       |
| 31.0                    | 164                    | 1.3            | 30.00 | S052            | TS80B6 | 6000                     | 6000                       |
| 31.0                    | 164                    | 2.2            | 30.00 | S062            | TS80B6 | 10000                    | 4000                       |
| 30.4                    | 166                    | 3.1            | 46.10 | S062            | TS80A4 | 10000                    | 4000                       |
| 29.7                    | 170                    | 1.8            | 47.20 | S052            | TS80A4 | 6000                     | 6000                       |
| 29.7                    | 170                    | 3.0            | 46.10 | S062            | TS71C4 | 10000                    | 4000                       |
| 29.3                    | 163                    | Ex             | 95.84 | S053            | TS71B2 | 6000                     | 6000                       |
| 29.0                    | 174                    | 1.7            | 47.20 | S052            | TS71C4 | 6000                     | 6000                       |
| 28.6                    | 178                    | 1.4            | 32.55 | S052            | TS80B6 | 6000                     | 6000                       |
| 28.1                    | 169                    | Ex             | 99.89 | S063            | TS71B2 | 10000                    | 4000                       |
| 26.8                    | 188                    | 1.6            | 52.25 | S052            | TS80A4 | 6000                     | 6000                       |
| 26.2                    | 192                    | 1.5            | 52.25 | S052            | TS71C4 | 6000                     | 6000                       |
| 26.2                    | 193                    | 2.6            | 53.53 | S062            | TS80A4 | 10000                    | 4000                       |
| 25.6                    | 197                    | 2.6            | 53.53 | S062            | TS71C4 | 10000                    | 4000                       |
| 25.5                    | 198                    | 2.6            | 55.00 | S062            | TS80A4 | 10000                    | 4000                       |
| 25.4                    | 200                    | 1.4            | 36.55 | S052            | TS80B6 | 6000                     | 6000                       |
| 25.4                    | 200                    | 2.5            | 36.57 | S062            | TS80B6 | 10000                    | 4000                       |
| 24.9                    | 202                    | 2.5            | 55.00 | S062            | TS71C4 | 10000                    | 4000                       |

## 5.1 S GEARED MOTORS (50Hz)

## 0.55 kW

| n <sub>2</sub><br>[rpm] | M <sub>2</sub><br>[Nm] | f <sub>s</sub> | i      | Gear<br>reducer | Motor  | Fr <sub>2</sub><br>D [N] | Fr <sub>2</sub><br>C-L [N] |
|-------------------------|------------------------|----------------|--------|-----------------|--------|--------------------------|----------------------------|
| 24.2                    | 208                    | 1.4            | 57.86  | S052            | TS80A4 | 6000                     | 6000                       |
| 24.0                    | 199                    | Ex             | 117.17 | S083            | TS71B2 | 18000                    | 7200                       |
| 23.9                    | 199                    | Ex             | 117.48 | S053            | TS71B2 | 6000                     | 6000                       |
| 23.7                    | 213                    | 1.4            | 57.86  | S052            | TS71C4 | 6000                     | 6000                       |
| 23.6                    | 216                    | 2.4            | 39.38  | S062            | TS80B6 | 10000                    | 4000                       |
| 23.3                    | 218                    | 1.4            | 39.90  | S052            | TS80B6 | 6000                     | 6000                       |
| 22.2                    | 214                    | Ex             | 126.43 | S063            | TS71B2 | 10000                    | 4000                       |
| 21.8                    | 233                    | 1.3            | 42.63  | S052            | TS80B6 | 6000                     | 6000                       |
| 21.8                    | 218                    | Ex             | 128.73 | S083            | TS71B2 | 18000                    | 7200                       |
| 21.3                    | 239                    | 2.1            | 43.64  | S062            | TS80B6 | 10000                    | 4000                       |
| 20.8                    | 243                    | 2.1            | 67.47  | S062            | TS80A4 | 10000                    | 4000                       |
| 20.4                    | 233                    | Ex             | 137.45 | S053            | TS71B2 | 6000                     | 6000                       |
| 20.3                    | 248                    | 2.1            | 67.47  | S062            | TS71C4 | 10000                    | 4000                       |
| 20.2                    | 252                    | 2.0            | 46.10  | S062            | TS80B6 | 10000                    | 4000                       |
| 19.7                    | 258                    | 1.2            | 47.20  | S052            | TS80B6 | 6000                     | 6000                       |
| 19.2                    | 262                    | 1.1            | 72.83  | S052            | TS80A4 | 6000                     | 6000                       |
| 18.9                    | 262                    | 1.1            | 74.20  | S053            | TS80A4 | 6000                     | 6000                       |
| 18.9                    | 262                    | 3.2            | 74.18  | S083            | TS80A4 | 18000                    | 7200                       |
| 18.8                    | 268                    | 1.1            | 72.83  | S052            | TS71C4 | 6000                     | 6000                       |
| 18.6                    | 256                    | Ex             | 150.85 | S063            | TS71B2 | 10000                    | 4000                       |
| 18.5                    | 267                    | 1.1            | 74.20  | S053            | TS71C4 | 6000                     | 6000                       |
| 18.5                    | 275                    | 3.1            | 50.25  | S082            | TS80B6 | 18000                    | 7200                       |
| 17.8                    | 286                    | 1.0            | 52.25  | S052            | TS80B6 | 6000                     | 6000                       |
| 17.7                    | 269                    | Ex             | 158.76 | S083            | TS71B2 | 18000                    | 7200                       |
| 17.4                    | 293                    | 1.7            | 53.53  | S062            | TS80B6 | 10000                    | 4000                       |
| 17.2                    | 287                    | 1.8            | 81.43  | S063            | TS80A4 | 10000                    | 4000                       |
| 17.1                    | 297                    | 2.9            | 54.27  | S082            | TS80B6 | 18000                    | 7200                       |
| 16.9                    | 301                    | 1.7            | 55.00  | S062            | TS80B6 | 10000                    | 4000                       |
| 16.8                    | 293                    | 1.7            | 81.43  | S063            | TS71C4 | 10000                    | 4000                       |
| 15.3                    | 323                    | 2.6            | 91.49  | S083            | TS80A4 | 18000                    | 7200                       |
| 15.2                    | 314                    | Ex             | 185.05 | S063            | TS71B2 | 10000                    | 4000                       |
| 15.2                    | 313                    | Ex             | 184.88 | S083            | TS71B2 | 18000                    | 7200                       |
| 15.0                    | 339                    | 2.5            | 61.98  | S082            | TS80B6 | 18000                    | 7200                       |
| 14.0                    | 352                    | 1.4            | 99.89  | S063            | TS80A4 | 10000                    | 4000                       |
| 13.8                    | 369                    | 1.4            | 67.47  | S062            | TS80B6 | 10000                    | 4000                       |
| 13.8                    | 362                    | 2.3            | 67.52  | S083            | TS80B6 | 18000                    | 7200                       |
| 13.8                    | 344                    | Ex             | 203.11 | S083            | TS71B2 | 18000                    | 7200                       |
| 13.7                    | 360                    | 1.4            | 99.89  | S063            | TS71C4 | 10000                    | 4000                       |
| 12.9                    | 369                    | Ex             | 217.79 | S063            | TS71B2 | 10000                    | 4000                       |
| 12.5                    | 398                    | 2.1            | 74.18  | S083            | TS80B6 | 18000                    | 7200                       |
| 11.9                    | 413                    | 2.1            | 117.17 | S083            | TS80A4 | 18000                    | 7200                       |

## 5.1 S GEARED MOTORS (50Hz)

## 0.55 kW

| n2<br>[rpm] | M2<br>[Nm] | fs  | i      | Gear<br>reducer | Motor  | Fr2<br>D [N] | Fr2<br>C-L [N] |
|-------------|------------|-----|--------|-----------------|--------|--------------|----------------|
| 11.7        | 422        | 2.0 | 117.17 | S083            | TS71C4 | 18000        | 7200           |
| 11.4        | 437        | 1.2 | 81.43  | S063            | TS80B6 | 10000        | 4000           |
| 11.4        | 436        | 3.1 | 81.39  | S103            | TS80B6 | 22000        | 9000           |
| 11.2        | 425        | Ex  | 250.50 | S083            | TS71B2 | 18000        | 7200           |
| 11.1        | 446        | 1.1 | 126.43 | S063            | TS80A4 | 10000        | 4000           |
| 10.9        | 454        | 1.9 | 128.73 | S083            | TS80A4 | 18000        | 7200           |
| 10.9        | 454        | 3.0 | 128.73 | S103            | TS80A4 | 22000        | 9000           |
| 10.8        | 456        | 1.1 | 126.43 | S063            | TS71C4 | 10000        | 4000           |
| 10.6        | 464        | 1.8 | 128.73 | S083            | TS71C4 | 18000        | 7200           |
| 10.6        | 464        | 2.9 | 128.73 | S103            | TS71C4 | 22000        | 9000           |
| 10.2        | 491        | 1.7 | 91.49  | S083            | TS80B6 | 18000        | 7200           |
| 9.9         | 498        | 2.7 | 141.24 | S103            | TS80A4 | 22000        | 9000           |
| 9.7         | 509        | 2.7 | 141.24 | S103            | TS71C4 | 22000        | 9000           |
| 9.6         | 496        | Ex  | 292.36 | S083            | TS71B2 | 18000        | 7200           |
| 9.3         | 537        | 2.5 | 100.15 | S103            | TS80B6 | 22000        | 9000           |
| 8.9         | 535        | Ex  | 315.73 | S083            | TS71B2 | 18000        | 7200           |
| 8.8         | 560        | 1.5 | 158.76 | S083            | TS80A4 | 18000        | 7200           |
| 8.6         | 572        | 1.5 | 158.76 | S083            | TS71C4 | 18000        | 7200           |
| 8.4         | 593        | 2.3 | 110.55 | S103            | TS80B6 | 22000        | 9000           |
| 8.1         | 613        | 2.2 | 173.78 | S103            | TS80A4 | 22000        | 9000           |
| 7.9         | 628        | 1.4 | 117.17 | S083            | TS80B6 | 18000        | 7200           |
| 7.9         | 626        | 2.2 | 173.78 | S103            | TS71C4 | 22000        | 9000           |
| 7.8         | 611        | Ex  | 360.58 | S083            | TS71B2 | 18000        | 7200           |
| 7.6         | 652        | 1.3 | 184.88 | S083            | TS80A4 | 18000        | 7200           |
| 7.4         | 666        | 1.3 | 184.88 | S083            | TS71C4 | 18000        | 7200           |
| 7.2         | 690        | 1.2 | 128.73 | S083            | TS80B6 | 18000        | 7200           |
| 7.2         | 690        | 2.0 | 128.73 | S103            | TS80B6 | 22000        | 9000           |
| 6.9         | 716        | 1.2 | 203.11 | S083            | TS80A4 | 18000        | 7200           |
| 6.9         | 716        | 1.9 | 203.11 | S103            | TS80A4 | 22000        | 9000           |
| 6.7         | 732        | 1.2 | 203.11 | S083            | TS71C4 | 18000        | 7200           |
| 6.7         | 732        | 1.9 | 203.11 | S103            | TS71C4 | 22000        | 9000           |
| 6.6         | 757        | 1.8 | 141.24 | S103            | TS80B6 | 22000        | 9000           |
| 6.3         | 786        | 1.7 | 222.85 | S103            | TS80A4 | 22000        | 9000           |
| 6.1         | 803        | 1.7 | 222.85 | S103            | TS71C4 | 22000        | 9000           |
| 6.1         | 812        | 3.2 | 151.43 | S123            | TS80B6 | 30000        | 11200          |
| 5.9         | 843        | 3.0 | 238.93 | S123            | TS80A4 | 30000        | 11200          |
| 5.4         | 932        | 1.5 | 173.78 | S103            | TS80B6 | 22000        | 9000           |
| 5.2         | 952        | 2.7 | 177.53 | S123            | TS80B6 | 30000        | 11200          |
| 5.1         | 967        | 1.4 | 274.20 | S103            | TS80A4 | 22000        | 9000           |
| 5.0         | 988        | 1.4 | 274.20 | S103            | TS71C4 | 22000        | 9000           |
| 5.0         | 988        | 2.6 | 280.10 | S123            | TS80A4 | 30000        | 11200          |

## 5.1 S GEARED MOTORS (50Hz)

## 0.55 kW

| n2 [rpm] | M2 [Nm] | fs  | i      | Gear reducer | Motor  | Fr2 D [N] | Fr2 C-L [N] |
|----------|---------|-----|--------|--------------|--------|-----------|-------------|
| 4.8      | 1043    | 2.4 | 194.59 | S123         | TS80B6 | 30000     | 11200       |
| 4.6      | 1089    | 1.3 | 203.11 | S103         | TS80B6 | 22000     | 9000        |
| 4.6      | 1062    | 2.4 | 301.16 | S123         | TS80A4 | 30000     | 11200       |
| 4.4      | 1131    | 1.2 | 320.79 | S103         | TS80A4 | 22000     | 9000        |
| 4.3      | 1156    | 1.2 | 320.79 | S103         | TS71C4 | 22000     | 9000        |
| 4.2      | 1195    | 1.1 | 222.85 | S103         | TS80B6 | 22000     | 9000        |
| 4.1      | 1219    | 1.1 | 345.60 | S103         | TS80A4 | 22000     | 9000        |
| 4.1      | 1213    | 2.1 | 343.93 | S123         | TS80A4 | 30000     | 11200       |
| 4.0      | 1246    | 1.1 | 345.60 | S103         | TS71C4 | 22000     | 9000        |
| 3.9      | 1281    | 2.0 | 238.93 | S123         | TS80B6 | 30000     | 11200       |
| 3.3      | 1502    | 1.7 | 280.10 | S123         | TS80B6 | 30000     | 11200       |
| 3.1      | 1615    | 1.6 | 301.16 | S123         | TS80B6 | 30000     | 11200       |
| 2.7      | 1844    | 1.4 | 343.93 | S123         | TS80B6 | 30000     | 11200       |

## 0.75 kW

| n2 [rpm] | M2 [Nm] | fs  | i     | Gear reducer | Motor  | Fr2 D [N] | Fr2 C-L [N] |
|----------|---------|-----|-------|--------------|--------|-----------|-------------|
| 136.0    | 49      | Ex  | 21.04 | S052         | TP80A2 | 4342      | 4342        |
| 135.0    | 49      | Ex  | 21.04 | S052         | TH80A2 | 4351      | 4351        |
| 133.6    | 50      | Ex  | 21.04 | S052         | TS80A2 | 4364      | 4364        |
| 133.1    | 50      | Ex  | 21.04 | S052         | TS71C2 | 4369      | 4369        |
| 129.3    | 53      | 2.6 | 11.14 | S052         | TP80B4 | 4394      | 4394        |
| 128.4    | 54      | 2.6 | 11.14 | S052         | TH80B4 | 4403      | 4403        |
| 125.7    | 55      | 2.5 | 11.14 | S052         | TS80B4 | 4430      | 4430        |
| 118.8    | 56      | Ex  | 24.07 | S052         | TP80A2 | 4511      | 4511        |
| 118.0    | 56      | Ex  | 24.07 | S052         | TH80A2 | 4520      | 4520        |
| 116.8    | 57      | Ex  | 24.07 | S052         | TS80A2 | 4534      | 4534        |
| 116.3    | 57      | Ex  | 24.07 | S052         | TS71C2 | 4538      | 4538        |
| 110.9    | 60      | Ex  | 25.79 | S052         | TP80A2 | 4600      | 4600        |
| 110.1    | 60      | Ex  | 25.79 | S052         | TH80A2 | 4609      | 4609        |
| 109.0    | 61      | Ex  | 25.79 | S052         | TS80A2 | 4622      | 4622        |
| 109.0    | 64      | 1.9 | 8.63  | S052         | TH90S6 | 4606      | 4606        |
| 109.0    | 64      | 1.9 | 8.63  | S052         | TP90S6 | 4606      | 4606        |
| 108.6    | 61      | Ex  | 25.79 | S052         | TS71C2 | 4627      | 4627        |
| 106.7    | 65      | 1.9 | 8.63  | S052         | TS80C6 | 4633      | 4633        |
| 106.7    | 65      | 1.9 | 8.63  | S052         | TS90S6 | 4633      | 4633        |
| 105.4    | 65      | 2.3 | 13.66 | S052         | TP80B4 | 4652      | 4652        |
| 104.7    | 66      | 2.3 | 13.66 | S052         | TH80B4 | 4660      | 4660        |
| 102.8    | 65      | Ex  | 27.81 | S052         | TP80A2 | 4697      | 4697        |
| 102.5    | 67      | 2.3 | 13.66 | S052         | TS80B4 | 4688      | 4688        |
| 102.1    | 65      | Ex  | 27.81 | S052         | TH80A2 | 4706      | 4706        |

## 5.1 S GEARED MOTORS (50Hz)

## 0.75 kW

| n <sub>2</sub><br>[rpm] | M <sub>2</sub><br>[Nm] | f <sub>s</sub> | i     | Gear<br>reducer | Motor  | Fr <sub>2</sub><br>D [N] | Fr <sub>2</sub><br>C-L [N] |
|-------------------------|------------------------|----------------|-------|-----------------|--------|--------------------------|----------------------------|
| 101.0                   | 66                     | Ex             | 27.81 | S052            | TS80A2 | 4720                     | 4720                       |
| 100.7                   | 66                     | Ex             | 27.81 | S052            | TS71C2 | 4725                     | 4725                       |
| 95.3                    | 70                     | Ex             | 30.00 | S052            | TP80A2 | 4796                     | 4796                       |
| 94.7                    | 70                     | Ex             | 30.00 | S052            | TH80A2 | 4805                     | 4805                       |
| 94.3                    | 73                     | 2.4            | 15.27 | S052            | TP80B4 | 4796                     | 4796                       |
| 93.7                    | 71                     | Ex             | 30.00 | S052            | TS80A2 | 4819                     | 4819                       |
| 93.6                    | 73                     | 2.4            | 15.27 | S052            | TH80B4 | 4805                     | 4805                       |
| 93.3                    | 71                     | Ex             | 30.00 | S052            | TS71C2 | 4824                     | 4824                       |
| 91.7                    | 75                     | 2.3            | 15.27 | S052            | TS80B4 | 4833                     | 4833                       |
| 88.4                    | 78                     | 2.2            | 16.29 | S052            | TP80B4 | 4880                     | 4880                       |
| 87.9                    | 76                     | Ex             | 32.55 | S052            | TP80A2 | 4904                     | 4904                       |
| 87.8                    | 78                     | 2.2            | 16.29 | S052            | TH80B4 | 4889                     | 4889                       |
| 87.3                    | 76                     | Ex             | 32.55 | S052            | TH80A2 | 4913                     | 4913                       |
| 86.3                    | 77                     | Ex             | 32.55 | S052            | TS80A2 | 4927                     | 4927                       |
| 86.0                    | 80                     | 2.2            | 16.29 | S052            | TS80B4 | 4916                     | 4916                       |
| 86.0                    | 77                     | Ex             | 32.55 | S052            | TS71C2 | 4932                     | 4932                       |
| 84.4                    | 82                     | 1.7            | 11.14 | S052            | TH90S6 | 4936                     | 4936                       |
| 84.4                    | 82                     | 1.7            | 11.14 | S052            | TP90S6 | 4936                     | 4936                       |
| 82.6                    | 84                     | 1.6            | 11.14 | S052            | TS90S6 | 4964                     | 4964                       |
| 82.6                    | 84                     | 1.6            | 11.14 | S052            | TS80C6 | 4964                     | 4964                       |
| 78.3                    | 85                     | Ex             | 36.55 | S052            | TP80A2 | 5058                     | 5058                       |
| 77.7                    | 85                     | Ex             | 36.55 | S052            | TH80A2 | 5067                     | 5067                       |
| 77.3                    | 89                     | 2.0            | 18.63 | S052            | TP80B4 | 5057                     | 5057                       |
| 76.9                    | 86                     | Ex             | 36.55 | S052            | TS80A2 | 5082                     | 5082                       |
| 76.8                    | 90                     | 1.9            | 18.63 | S052            | TH80B4 | 5066                     | 5066                       |
| 76.6                    | 87                     | Ex             | 36.55 | S052            | TS71C2 | 5086                     | 5086                       |
| 75.1                    | 92                     | 1.9            | 18.63 | S052            | TS80B4 | 5094                     | 5094                       |
| 71.7                    | 93                     | Ex             | 39.90 | S052            | TP80A2 | 5176                     | 5176                       |
| 71.2                    | 93                     | Ex             | 39.90 | S052            | TH80A2 | 5185                     | 5185                       |
| 70.4                    | 94                     | Ex             | 39.90 | S052            | TS80A2 | 5200                     | 5200                       |
| 70.2                    | 95                     | Ex             | 39.90 | S052            | TS71C2 | 5205                     | 5205                       |
| 68.8                    | 101                    | 1.5            | 13.66 | S052            | TH90S6 | 5205                     | 5205                       |
| 68.8                    | 101                    | 1.5            | 13.66 | S052            | TP90S6 | 5205                     | 5205                       |
| 68.5                    | 100                    | 1.9            | 21.04 | S052            | TP80B4 | 5218                     | 5218                       |
| 68.0                    | 101                    | 1.9            | 21.04 | S052            | TH80B4 | 5227                     | 5227                       |
| 67.4                    | 103                    | 1.5            | 13.66 | S052            | TS80C6 | 5233                     | 5233                       |
| 67.4                    | 103                    | 1.5            | 13.66 | S052            | TS90S6 | 5233                     | 5233                       |
| 67.1                    | 99                     | Ex             | 42.63 | S052            | TP80A2 | 5265                     | 5265                       |
| 66.6                    | 100                    | Ex             | 42.63 | S052            | TH80A2 | 5275                     | 5275                       |
| 66.6                    | 103                    | 1.8            | 21.04 | S052            | TS80B4 | 5255                     | 5255                       |
| 65.9                    | 101                    | Ex             | 42.63 | S052            | TS80A2 | 5289                     | 5289                       |

## 5.1 S GEARED MOTORS (50Hz)

## 0.75 kW

| n2<br>[rpm] | M2<br>[Nm] | fs  | i     | Gear<br>reducer | Motor  | Fr2<br>D [N] | Fr2<br>C-L [N] |
|-------------|------------|-----|-------|-----------------|--------|--------------|----------------|
| 65.7        | 101        | Ex  | 42.63 | S052            | TS71C2 | 5294         | 5294           |
| 61.5        | 113        | 1.5 | 15.27 | S052            | TH90S6 | 5353         | 5353           |
| 61.5        | 113        | 1.5 | 15.27 | S052            | TP90S6 | 5353         | 5353           |
| 60.6        | 110        | Ex  | 47.20 | S052            | TP80A2 | 5403         | 5403           |
| 60.2        | 115        | 1.5 | 15.27 | S052            | TS80C6 | 5381         | 5381           |
| 60.2        | 115        | 1.5 | 15.27 | S052            | TS90S6 | 5381         | 5381           |
| 60.2        | 110        | Ex  | 47.20 | S052            | TH80A2 | 5413         | 5413           |
| 59.8        | 115        | 1.6 | 24.07 | S052            | TP80B4 | 5397         | 5397           |
| 59.5        | 111        | Ex  | 47.20 | S052            | TS80A2 | 5427         | 5427           |
| 59.4        | 116        | 1.6 | 24.07 | S052            | TH80B4 | 5406         | 5406           |
| 59.3        | 112        | Ex  | 47.20 | S052            | TS71C2 | 5432         | 5432           |
| 58.2        | 118        | 1.6 | 24.07 | S052            | TS80B4 | 5435         | 5435           |
| 57.7        | 120        | 1.4 | 16.29 | S052            | TH90S6 | 5438         | 5438           |
| 57.7        | 120        | 1.4 | 16.29 | S052            | TP90S6 | 5438         | 5438           |
| 57.7        | 120        | 2.7 | 15.94 | S062            | TS80C6 | 9788         | 3915           |
| 57.7        | 120        | 2.7 | 15.94 | S062            | TS90S6 | 9788         | 3915           |
| 57.3        | 120        | 2.9 | 25.14 | S062            | TP80B4 | 9818         | 3927           |
| 56.9        | 121        | 2.9 | 25.14 | S062            | TH80B4 | 9837         | 3935           |
| 56.5        | 123        | 1.4 | 16.29 | S052            | TS80C6 | 5467         | 5467           |
| 56.5        | 123        | 1.4 | 16.29 | S052            | TS90S6 | 5467         | 5467           |
| 55.8        | 123        | 1.7 | 25.79 | S052            | TP80B4 | 5489         | 5489           |
| 55.7        | 123        | 2.8 | 25.14 | S062            | TS80B4 | 9895         | 3958           |
| 55.5        | 124        | 1.7 | 25.79 | S052            | TH80B4 | 5498         | 5498           |
| 54.7        | 121        | Ex  | 52.25 | S052            | TP80A2 | 5541         | 5541           |
| 54.4        | 122        | Ex  | 52.25 | S052            | TH80A2 | 5551         | 5551           |
| 54.3        | 127        | 1.6 | 25.79 | S052            | TS80B4 | 5527         | 5527           |
| 53.8        | 123        | Ex  | 52.25 | S052            | TS80A2 | 5565         | 5565           |
| 53.6        | 124        | Ex  | 52.25 | S052            | TS71C2 | 5570         | 5570           |
| 53.4        | 124        | Ex  | 53.53 | S062            | TP80A2 | 10000        | 4000           |
| 53.1        | 125        | Ex  | 53.53 | S062            | TH80A2 | 10000        | 4000           |
| 52.5        | 126        | Ex  | 53.53 | S062            | TS80A2 | 10000        | 4000           |
| 52.3        | 127        | Ex  | 53.53 | S062            | TS71C2 | 10000        | 4000           |
| 52.1        | 132        | 2.6 | 27.66 | S062            | TP80B4 | 10000        | 4000           |
| 52.0        | 128        | Ex  | 55.00 | S062            | TP80A2 | 10000        | 4000           |
| 51.8        | 133        | 1.6 | 27.81 | S052            | TP80B4 | 5590         | 5590           |
| 51.7        | 133        | 2.6 | 27.66 | S062            | TH80B4 | 10000        | 4000           |
| 51.6        | 129        | Ex  | 55.00 | S062            | TH80A2 | 10000        | 4000           |
| 51.4        | 134        | 1.6 | 27.81 | S052            | TH80B4 | 5599         | 5599           |
| 51.1        | 130        | Ex  | 55.00 | S062            | TS80A2 | 10000        | 4000           |
| 50.9        | 130        | Ex  | 55.00 | S062            | TS71C2 | 10000        | 4000           |
| 50.6        | 136        | 2.5 | 27.66 | S062            | TS80B4 | 10000        | 4000           |



## 5.1 S GEARED MOTORS (50Hz)

## 0.75 kW

| n2<br>[rpm] | M2<br>[Nm] | fs  | i     | Gear<br>reducer | Motor  | Fr2<br>D [N] | Fr2<br>C-L [N] |
|-------------|------------|-----|-------|-----------------|--------|--------------|----------------|
| 50.5        | 138        | 1.3 | 18.63 | S052            | TH90S6 | 5616         | 5616           |
| 50.5        | 138        | 1.3 | 18.63 | S052            | TP90S6 | 5616         | 5616           |
| 50.3        | 137        | 1.5 | 27.81 | S052            | TS80B4 | 5627         | 5627           |
| 49.4        | 141        | 1.2 | 18.63 | S052            | TS80C6 | 5644         | 5644           |
| 49.4        | 134        | Ex  | 57.86 | S052            | TP80A2 | 5680         | 5680           |
| 49.4        | 141        | 1.2 | 18.63 | S052            | TS90S6 | 5644         | 5644           |
| 49.1        | 135        | Ex  | 57.86 | S052            | TH80A2 | 5689         | 5689           |
| 48.6        | 137        | Ex  | 57.86 | S052            | TS80A2 | 5703         | 5703           |
| 48.4        | 137        | Ex  | 57.86 | S052            | TS71C2 | 5708         | 5708           |
| 48.1        | 144        | 2.3 | 19.55 | S062            | TH90S6 | 10000        | 4000           |
| 48.1        | 144        | 2.3 | 19.55 | S062            | TP90S6 | 10000        | 4000           |
| 48.0        | 143        | 1.5 | 30.00 | S052            | TP80B4 | 5690         | 5690           |
| 48.0        | 143        | 2.5 | 30.00 | S062            | TP80B4 | 10000        | 4000           |
| 47.7        | 144        | 1.4 | 30.00 | S052            | TH80B4 | 5699         | 5699           |
| 47.7        | 144        | 2.5 | 30.00 | S062            | TH80B4 | 10000        | 4000           |
| 47.1        | 148        | 2.2 | 19.55 | S062            | TS80C6 | 10000        | 4000           |
| 47.1        | 148        | 2.2 | 19.55 | S062            | TS90S6 | 10000        | 4000           |
| 46.7        | 147        | 1.4 | 30.00 | S052            | TS80B4 | 5727         | 5727           |
| 46.7        | 147        | 2.4 | 30.00 | S062            | TS80B4 | 10000        | 4000           |
| 44.7        | 155        | 1.2 | 21.04 | S052            | TH90S6 | 5775         | 5775           |
| 44.7        | 155        | 1.2 | 21.04 | S052            | TP90S6 | 5775         | 5775           |
| 44.2        | 155        | 1.6 | 32.55 | S052            | TP80B4 | 5797         | 5797           |
| 43.9        | 157        | 1.6 | 32.55 | S052            | TH80B4 | 5806         | 5806           |
| 43.7        | 159        | 1.2 | 21.04 | S052            | TS90S6 | 5803         | 5803           |
| 43.7        | 159        | 1.2 | 21.04 | S052            | TS80C6 | 5803         | 5803           |
| 43.0        | 160        | 1.6 | 32.55 | S052            | TS80B4 | 5834         | 5834           |
| 42.4        | 157        | Ex  | 67.47 | S062            | TP80A2 | 10000        | 4000           |
| 42.1        | 158        | Ex  | 67.47 | S062            | TH80A2 | 10000        | 4000           |
| 41.7        | 159        | Ex  | 67.47 | S062            | TS80A2 | 10000        | 4000           |
| 41.5        | 160        | Ex  | 67.47 | S062            | TS71C2 | 10000        | 4000           |
| 40.6        | 171        | 2.0 | 23.18 | S062            | TH90S6 | 10000        | 4000           |
| 40.6        | 171        | 2.0 | 23.18 | S062            | TP90S6 | 10000        | 4000           |
| 39.7        | 175        | 1.9 | 23.18 | S062            | TS80C6 | 10000        | 4000           |
| 39.7        | 175        | 1.9 | 23.18 | S062            | TS90S6 | 10000        | 4000           |
| 39.4        | 175        | 1.6 | 36.55 | S052            | TP80B4 | 5947         | 5947           |
| 39.4        | 175        | 2.9 | 36.57 | S062            | TP80B4 | 10000        | 4000           |
| 39.3        | 169        | Ex  | 72.83 | S052            | TP80A2 | 5987         | 5987           |
| 39.1        | 178        | 1.1 | 24.07 | S052            | TH90S6 | 5948         | 5948           |
| 39.1        | 178        | 1.1 | 24.07 | S052            | TP90S6 | 5948         | 5948           |
| 39.1        | 176        | 1.6 | 36.55 | S052            | TH80B4 | 5956         | 5956           |
| 39.1        | 176        | 2.9 | 36.57 | S062            | TH80B4 | 10000        | 4000           |

## 5.1 S GEARED MOTORS (50Hz)

## 0.75 kW

| n <sub>2</sub><br>[rpm] | M <sub>2</sub><br>[Nm] | f <sub>s</sub> | i     | Gear<br>reducer | Motor  | Fr <sub>2</sub><br>D [N] | Fr <sub>2</sub><br>C-L [N] |
|-------------------------|------------------------|----------------|-------|-----------------|--------|--------------------------|----------------------------|
| 39.0                    | 170                    | Ex             | 72.83 | S052            | TH80A2 | 5997                     | 5997                       |
| 38.6                    | 172                    | Ex             | 72.83 | S052            | TS80A2 | 6000                     | 6000                       |
| 38.5                    | 169                    | Ex             | 74.20 | S053            | TP80A2 | 6000                     | 6000                       |
| 38.4                    | 173                    | Ex             | 72.83 | S052            | TS71C2 | 6000                     | 6000                       |
| 38.3                    | 179                    | 1.6            | 36.55 | S052            | TS80B4 | 5983                     | 5983                       |
| 38.3                    | 170                    | Ex             | 74.20 | S053            | TH80A2 | 6000                     | 6000                       |
| 38.3                    | 180                    | 2.8            | 36.57 | S062            | TS80B4 | 10000                    | 4000                       |
| 38.2                    | 182                    | 1.0            | 24.07 | S052            | TS80C6 | 5976                     | 5976                       |
| 38.2                    | 182                    | 1.0            | 24.07 | S052            | TS90S6 | 5976                     | 5976                       |
| 37.9                    | 172                    | Ex             | 74.20 | S053            | TS80A2 | 6000                     | 6000                       |
| 37.7                    | 172                    | Ex             | 74.20 | S053            | TS71C2 | 6000                     | 6000                       |
| 37.4                    | 186                    | 1.9            | 25.14 | S062            | TH90S6 | 10000                    | 4000                       |
| 37.4                    | 186                    | 1.9            | 25.14 | S062            | TP90S6 | 10000                    | 4000                       |
| 36.6                    | 188                    | 2.7            | 39.38 | S062            | TP80B4 | 10000                    | 4000                       |
| 36.6                    | 190                    | 1.8            | 25.14 | S062            | TS80C6 | 10000                    | 4000                       |
| 36.6                    | 190                    | 1.8            | 25.14 | S062            | TS90S6 | 10000                    | 4000                       |
| 36.5                    | 191                    | 1.1            | 25.79 | S052            | TH90S6 | 6000                     | 6000                       |
| 36.5                    | 191                    | 1.1            | 25.79 | S052            | TP90S6 | 6000                     | 6000                       |
| 36.3                    | 189                    | 2.7            | 39.38 | S062            | TH80B4 | 10000                    | 4000                       |
| 36.1                    | 191                    | 1.6            | 39.90 | S052            | TP80B4 | 6000                     | 6000                       |
| 35.8                    | 192                    | 1.6            | 39.90 | S052            | TH80B4 | 6000                     | 6000                       |
| 35.7                    | 195                    | 1.1            | 25.79 | S052            | TS80C6 | 6000                     | 6000                       |
| 35.7                    | 195                    | 1.1            | 25.79 | S052            | TS90S6 | 6000                     | 6000                       |
| 35.6                    | 193                    | 2.6            | 39.38 | S062            | TS80B4 | 10000                    | 4000                       |
| 35.1                    | 196                    | 1.5            | 39.90 | S052            | TS80B4 | 6000                     | 6000                       |
| 35.1                    | 185                    | Ex             | 81.43 | S063            | TP80A2 | 10000                    | 4000                       |
| 34.9                    | 186                    | Ex             | 81.43 | S063            | TH80A2 | 10000                    | 4000                       |
| 34.5                    | 188                    | Ex             | 81.43 | S063            | TS80A2 | 10000                    | 4000                       |
| 34.4                    | 189                    | Ex             | 81.43 | S063            | TS71C2 | 10000                    | 4000                       |
| 34.0                    | 204                    | 1.7            | 27.66 | S062            | TH90S6 | 10000                    | 4000                       |
| 34.0                    | 204                    | 1.7            | 27.66 | S062            | TP90S6 | 10000                    | 4000                       |
| 33.8                    | 204                    | 1.5            | 42.63 | S052            | TP80B4 | 6000                     | 6000                       |
| 33.8                    | 205                    | 1.0            | 27.81 | S052            | TH90S6 | 6000                     | 6000                       |
| 33.8                    | 205                    | 1.0            | 27.81 | S052            | TP90S6 | 6000                     | 6000                       |
| 33.5                    | 205                    | 1.5            | 42.63 | S052            | TH80B4 | 6000                     | 6000                       |
| 33.3                    | 209                    | 1.7            | 27.66 | S062            | TS80C6 | 10000                    | 4000                       |
| 33.3                    | 209                    | 1.7            | 27.66 | S062            | TS90S6 | 10000                    | 4000                       |
| 33.0                    | 208                    | 2.4            | 43.64 | S062            | TP80B4 | 10000                    | 4000                       |
| 32.8                    | 209                    | 1.4            | 42.63 | S052            | TS80B4 | 6000                     | 6000                       |
| 32.8                    | 210                    | 2.4            | 43.64 | S062            | TH80B4 | 10000                    | 4000                       |
| 32.1                    | 214                    | 2.4            | 43.64 | S062            | TS80B4 | 10000                    | 4000                       |

## 5.1 S GEARED MOTORS (50Hz)

## 0.75 kW

| n <sub>2</sub><br>[rpm] | M <sub>2</sub><br>[Nm] | f <sub>s</sub> | i     | Gear<br>reducer | Motor  | Fr <sub>2</sub><br>D [N] | Fr <sub>2</sub><br>C-L [N] |
|-------------------------|------------------------|----------------|-------|-----------------|--------|--------------------------|----------------------------|
| 31.3                    | 222                    | 1.6            | 30.00 | S062            | TH90S6 | 10000                    | 4000                       |
| 31.3                    | 222                    | 1.6            | 30.00 | S062            | TP90S6 | 10000                    | 4000                       |
| 31.3                    | 208                    | Ex             | 91.49 | S083            | TP80A2 | 18000                    | 6986                       |
| 31.2                    | 220                    | 2.3            | 46.10 | S062            | TP80B4 | 10000                    | 4000                       |
| 31.0                    | 222                    | 2.3            | 46.10 | S062            | TH80B4 | 10000                    | 4000                       |
| 31.0                    | 209                    | Ex             | 91.49 | S083            | TH80A2 | 18000                    | 7001                       |
| 30.7                    | 226                    | 1.6            | 30.00 | S062            | TS80C6 | 10000                    | 4000                       |
| 30.7                    | 226                    | 1.6            | 30.00 | S062            | TS90S6 | 10000                    | 4000                       |
| 30.7                    | 212                    | Ex             | 91.49 | S083            | TS80A2 | 18000                    | 7025                       |
| 30.5                    | 225                    | 1.3            | 47.20 | S052            | TP80B4 | 6000                     | 6000                       |
| 30.4                    | 226                    | 2.3            | 46.10 | S062            | TS80B4 | 10000                    | 4000                       |
| 30.3                    | 227                    | 1.3            | 47.20 | S052            | TH80B4 | 6000                     | 6000                       |
| 29.8                    | 218                    | Ex             | 95.84 | S053            | TP80A2 | 6000                     | 6000                       |
| 29.7                    | 232                    | 1.3            | 47.20 | S052            | TS80B4 | 6000                     | 6000                       |
| 29.6                    | 219                    | Ex             | 95.84 | S053            | TH80A2 | 6000                     | 6000                       |
| 29.3                    | 222                    | Ex             | 95.84 | S053            | TS80A2 | 6000                     | 6000                       |
| 29.2                    | 222                    | Ex             | 95.84 | S053            | TS71C2 | 6000                     | 6000                       |
| 28.9                    | 240                    | 1.1            | 32.55 | S052            | TH90S6 | 6000                     | 6000                       |
| 28.9                    | 240                    | 1.1            | 32.55 | S052            | TP90S6 | 6000                     | 6000                       |
| 28.6                    | 227                    | Ex             | 99.89 | S063            | TP80A2 | 10000                    | 4000                       |
| 28.4                    | 229                    | Ex             | 99.89 | S063            | TH80A2 | 10000                    | 4000                       |
| 28.3                    | 246                    | 1.0            | 32.55 | S052            | TS80C6 | 6000                     | 6000                       |
| 28.3                    | 246                    | 1.0            | 32.55 | S052            | TS90S6 | 6000                     | 6000                       |
| 28.1                    | 231                    | Ex             | 99.89 | S063            | TS80A2 | 10000                    | 4000                       |
| 28.0                    | 232                    | Ex             | 99.89 | S063            | TS71C2 | 10000                    | 4000                       |
| 27.6                    | 249                    | 1.2            | 52.25 | S052            | TP80B4 | 6000                     | 6000                       |
| 27.4                    | 251                    | 1.2            | 52.25 | S052            | TH80B4 | 6000                     | 6000                       |
| 26.9                    | 256                    | 2.0            | 53.53 | S062            | TP80B4 | 10000                    | 4000                       |
| 26.8                    | 257                    | 1.2            | 52.25 | S052            | TS80B4 | 6000                     | 6000                       |
| 26.7                    | 257                    | 2.0            | 53.53 | S062            | TH80B4 | 10000                    | 4000                       |
| 26.5                    | 259                    | 3.3            | 54.27 | S082            | TP80B4 | 18000                    | 7200                       |
| 26.4                    | 261                    | 3.3            | 54.27 | S082            | TH80B4 | 18000                    | 7200                       |
| 26.4                    | 264                    | 3.2            | 34.91 | S082            | TS80C6 | 18000                    | 7200                       |
| 26.4                    | 264                    | 3.2            | 34.91 | S082            | TS90S6 | 18000                    | 7200                       |
| 26.2                    | 263                    | 1.9            | 53.53 | S062            | TS80B4 | 10000                    | 4000                       |
| 26.2                    | 263                    | 1.9            | 55.00 | S062            | TP80B4 | 10000                    | 4000                       |
| 26.0                    | 264                    | 1.9            | 55.00 | S062            | TH80B4 | 10000                    | 4000                       |
| 25.8                    | 267                    | 3.2            | 54.27 | S082            | TS80B4 | 18000                    | 7200                       |
| 25.7                    | 270                    | 1.0            | 36.55 | S052            | TH90S6 | 6000                     | 6000                       |
| 25.7                    | 270                    | 1.0            | 36.55 | S052            | TP90S6 | 6000                     | 6000                       |
| 25.7                    | 270                    | 1.9            | 36.57 | S062            | TH90S6 | 10000                    | 4000                       |

## 5.1 S GEARED MOTORS (50Hz)

## 0.75 kW

| n <sub>2</sub><br>[rpm] | M <sub>2</sub><br>[Nm] | f <sub>s</sub> | i      | Gear<br>reducer | Motor  | Fr <sub>2</sub><br>D [N] | Fr <sub>2</sub><br>C-L [N] |
|-------------------------|------------------------|----------------|--------|-----------------|--------|--------------------------|----------------------------|
| 25.7                    | 270                    | 1.9            | 36.57  | S062            | TP90S6 | 10000                    | 4000                       |
| 25.5                    | 270                    | 1.9            | 55.00  | S062            | TS80B4 | 10000                    | 4000                       |
| 25.2                    | 276                    | 1.0            | 36.55  | S052            | TS80C6 | 6000                     | 6000                       |
| 25.2                    | 276                    | 1.0            | 36.55  | S052            | TS90S6 | 6000                     | 6000                       |
| 25.2                    | 276                    | 1.8            | 36.57  | S062            | TS80C6 | 10000                    | 4000                       |
| 25.2                    | 276                    | 1.8            | 36.57  | S062            | TS90S6 | 10000                    | 4000                       |
| 24.9                    | 276                    | 1.1            | 57.86  | S052            | TP80B4 | 6000                     | 6000                       |
| 24.7                    | 278                    | 1.1            | 57.86  | S052            | TH80B4 | 6000                     | 6000                       |
| 24.4                    | 266                    | Ex             | 117.17 | S083            | TP80A2 | 18000                    | 7200                       |
| 24.2                    | 284                    | 1.0            | 57.86  | S052            | TS80B4 | 6000                     | 6000                       |
| 24.2                    | 268                    | Ex             | 117.17 | S083            | TH80A2 | 18000                    | 7200                       |
| 24.0                    | 271                    | Ex             | 117.17 | S083            | TS80A2 | 18000                    | 7200                       |
| 23.9                    | 291                    | 1.8            | 39.38  | S062            | TH90S6 | 10000                    | 4000                       |
| 23.9                    | 291                    | 1.8            | 39.38  | S062            | TP90S6 | 10000                    | 4000                       |
| 23.9                    | 272                    | Ex             | 117.17 | S083            | TS71C2 | 18000                    | 7200                       |
| 23.6                    | 295                    | 1.0            | 39.90  | S052            | TH90S6 | 6000                     | 6000                       |
| 23.6                    | 295                    | 1.0            | 39.90  | S052            | TP90S6 | 6000                     | 6000                       |
| 23.5                    | 296                    | 2.9            | 40.05  | S082            | TH90S6 | 18000                    | 7200                       |
| 23.5                    | 296                    | 2.9            | 40.05  | S082            | TP90S6 | 18000                    | 7200                       |
| 23.4                    | 297                    | 1.7            | 39.38  | S062            | TS80C6 | 10000                    | 4000                       |
| 23.4                    | 297                    | 1.7            | 39.38  | S062            | TS90S6 | 10000                    | 4000                       |
| 23.2                    | 296                    | 2.9            | 61.98  | S082            | TP80B4 | 18000                    | 7200                       |
| 23.1                    | 298                    | 2.9            | 61.98  | S082            | TH80B4 | 18000                    | 7200                       |
| 23.0                    | 302                    | 2.8            | 40.05  | S082            | TS80C6 | 18000                    | 7200                       |
| 23.0                    | 302                    | 2.8            | 40.05  | S082            | TS90S6 | 18000                    | 7200                       |
| 22.6                    | 287                    | Ex             | 126.43 | S063            | TP80A2 | 10000                    | 4000                       |
| 22.6                    | 304                    | 2.8            | 61.98  | S082            | TS80B4 | 18000                    | 7200                       |
| 22.5                    | 289                    | Ex             | 126.43 | S063            | TH80A2 | 10000                    | 4000                       |
| 22.2                    | 292                    | Ex             | 126.43 | S063            | TS80A2 | 10000                    | 4000                       |
| 22.2                    | 292                    | Ex             | 128.73 | S083            | TP80A2 | 18000                    | 7200                       |
| 22.1                    | 293                    | Ex             | 126.43 | S063            | TS71C2 | 10000                    | 4000                       |
| 22.1                    | 294                    | Ex             | 128.73 | S083            | TH80A2 | 18000                    | 7200                       |
| 21.8                    | 318                    | 2.7            | 43.05  | S082            | TH90S6 | 18000                    | 7200                       |
| 21.8                    | 318                    | 2.7            | 43.05  | S082            | TP90S6 | 18000                    | 7200                       |
| 21.8                    | 299                    | Ex             | 128.73 | S083            | TS71C2 | 18000                    | 7200                       |
| 21.8                    | 298                    | Ex             | 128.73 | S083            | TS80A2 | 18000                    | 7200                       |
| 21.5                    | 322                    | 1.6            | 43.64  | S062            | TH90S6 | 10000                    | 4000                       |
| 21.5                    | 322                    | 1.6            | 43.64  | S062            | TP90S6 | 10000                    | 4000                       |
| 21.4                    | 325                    | 2.6            | 43.05  | S082            | TS80C6 | 18000                    | 7200                       |
| 21.4                    | 325                    | 2.6            | 43.05  | S082            | TS90S6 | 18000                    | 7200                       |
| 21.3                    | 322                    | 1.6            | 67.47  | S062            | TP80B4 | 10000                    | 4000                       |

## 5.1 S GEARED MOTORS (50Hz)

## 0.75 kW

| n2<br>[rpm] | M2<br>[Nm] | fs  | i      | Gear<br>reducer | Motor  | Fr2<br>D [N] | Fr2<br>C-L [N] |
|-------------|------------|-----|--------|-----------------|--------|--------------|----------------|
| 21.3        | 316        | 2.7 | 67.52  | S083            | TP80B4 | 18000        | 7200           |
| 21.2        | 324        | 1.6 | 67.47  | S062            | TH80B4 | 10000        | 4000           |
| 21.2        | 318        | 2.7 | 67.52  | S083            | TH80B4 | 18000        | 7200           |
| 21.1        | 329        | 1.5 | 43.64  | S062            | TS90S6 | 10000        | 4000           |
| 21.1        | 329        | 1.5 | 43.64  | S062            | TS80C6 | 10000        | 4000           |
| 20.8        | 331        | 1.5 | 67.47  | S062            | TS80B4 | 10000        | 4000           |
| 20.7        | 325        | 2.6 | 67.52  | S083            | TS80B4 | 18000        | 7200           |
| 20.4        | 341        | 1.5 | 46.10  | S062            | TH90S6 | 10000        | 4000           |
| 20.4        | 341        | 1.5 | 46.10  | S062            | TP90S6 | 10000        | 4000           |
| 20.0        | 348        | 1.5 | 46.10  | S062            | TS80C6 | 10000        | 4000           |
| 20.0        | 348        | 1.5 | 46.10  | S062            | TS90S6 | 10000        | 4000           |
| 19.4        | 347        | 2.5 | 74.18  | S083            | TP80B4 | 18000        | 7200           |
| 19.3        | 349        | 2.4 | 74.18  | S083            | TH80B4 | 18000        | 7200           |
| 19.0        | 343        | Ex  | 150.85 | S063            | TP80A2 | 10000        | 4000           |
| 18.9        | 357        | 2.4 | 74.18  | S083            | TS80B4 | 18000        | 7200           |
| 18.8        | 345        | Ex  | 150.85 | S063            | TH80A2 | 10000        | 4000           |
| 18.7        | 371        | 2.3 | 50.25  | S082            | TH90S6 | 18000        | 7200           |
| 18.7        | 371        | 2.3 | 50.25  | S082            | TP90S6 | 18000        | 7200           |
| 18.6        | 350        | Ex  | 150.85 | S063            | TS71C2 | 10000        | 4000           |
| 18.6        | 349        | Ex  | 150.85 | S063            | TS80A2 | 10000        | 4000           |
| 18.3        | 379        | 2.2 | 50.25  | S082            | TS80C6 | 18000        | 7200           |
| 18.3        | 379        | 2.2 | 50.25  | S082            | TS90S6 | 18000        | 7200           |
| 18.0        | 361        | Ex  | 158.76 | S083            | TP80A2 | 18000        | 7200           |
| 17.9        | 363        | Ex  | 158.76 | S083            | TH80A2 | 18000        | 7200           |
| 17.7        | 381        | 1.3 | 81.43  | S063            | TP80B4 | 10000        | 4000           |
| 17.7        | 367        | Ex  | 158.76 | S083            | TS80A2 | 18000        | 7200           |
| 17.6        | 395        | 1.3 | 53.53  | S062            | TH90S6 | 10000        | 4000           |
| 17.6        | 395        | 1.3 | 53.53  | S062            | TP90S6 | 10000        | 4000           |
| 17.6        | 383        | 1.3 | 81.43  | S063            | TH80B4 | 10000        | 4000           |
| 17.6        | 368        | Ex  | 158.76 | S083            | TS71C2 | 18000        | 7200           |
| 17.3        | 401        | 2.1 | 54.27  | S082            | TH90S6 | 18000        | 7200           |
| 17.3        | 401        | 2.1 | 54.27  | S082            | TP90S6 | 18000        | 7200           |
| 17.2        | 404        | 1.3 | 53.53  | S062            | TS80C6 | 10000        | 4000           |
| 17.2        | 404        | 1.3 | 53.53  | S062            | TS90S6 | 10000        | 4000           |
| 17.2        | 392        | 1.3 | 81.43  | S063            | TS80B4 | 10000        | 4000           |
| 17.1        | 406        | 1.3 | 55.00  | S062            | TH90S6 | 10000        | 4000           |
| 17.1        | 406        | 1.3 | 55.00  | S062            | TP90S6 | 10000        | 4000           |
| 17.0        | 410        | 2.1 | 54.27  | S082            | TS90S6 | 18000        | 7200           |
| 17.0        | 410        | 2.1 | 54.27  | S082            | TS80C6 | 18000        | 7200           |
| 17.0        | 407        | 2.7 | 55.14  | S102            | TH90S6 | 22000        | 9000           |
| 17.0        | 407        | 2.7 | 55.14  | S102            | TP90S6 | 22000        | 9000           |

## 5.1 S GEARED MOTORS (50Hz)

## 0.75 kW

| n <sub>2</sub><br>[rpm] | M <sub>2</sub><br>[Nm] | f <sub>s</sub> | i      | Gear<br>reducer | Motor  | Fr <sub>2</sub><br>D [N] | Fr <sub>2</sub><br>C-L [N] |
|-------------------------|------------------------|----------------|--------|-----------------|--------|--------------------------|----------------------------|
| 16.7                    | 415                    | 1.2            | 55.00  | S062            | TS80C6 | 10000                    | 4000                       |
| 16.7                    | 415                    | 1.2            | 55.00  | S062            | TS90S6 | 10000                    | 4000                       |
| 16.7                    | 416                    | 2.7            | 55.14  | S102            | TS80C6 | 22000                    | 9000                       |
| 16.7                    | 416                    | 2.7            | 55.14  | S102            | TS90S6 | 22000                    | 9000                       |
| 15.8                    | 439                    | 3.1            | 59.40  | S102            | TH90S6 | 22000                    | 9000                       |
| 15.8                    | 439                    | 3.1            | 59.40  | S102            | TP90S6 | 22000                    | 9000                       |
| 15.7                    | 428                    | 2.0            | 91.49  | S083            | TP80B4 | 18000                    | 7200                       |
| 15.6                    | 431                    | 2.0            | 91.49  | S083            | TH80B4 | 18000                    | 7200                       |
| 15.5                    | 420                    | Ex             | 185.05 | S063            | TP80A2 | 10000                    | 4000                       |
| 15.5                    | 420                    | Ex             | 184.88 | S083            | TP80A2 | 18000                    | 7200                       |
| 15.5                    | 448                    | 3.0            | 59.40  | S102            | TS80C6 | 22000                    | 9000                       |
| 15.5                    | 448                    | 3.0            | 59.40  | S102            | TS90S6 | 22000                    | 9000                       |
| 15.4                    | 423                    | Ex             | 184.88 | S083            | TH80A2 | 18000                    | 7200                       |
| 15.3                    | 423                    | Ex             | 185.05 | S063            | TH80A2 | 10000                    | 4000                       |
| 15.3                    | 440                    | 1.9            | 91.49  | S083            | TS80B4 | 18000                    | 7200                       |
| 15.2                    | 428                    | Ex             | 185.05 | S063            | TS80A2 | 10000                    | 4000                       |
| 15.2                    | 458                    | 1.9            | 61.98  | S082            | TH90S6 | 18000                    | 7200                       |
| 15.2                    | 458                    | 1.9            | 61.98  | S082            | TP90S6 | 18000                    | 7200                       |
| 15.2                    | 427                    | Ex             | 184.88 | S083            | TS80A2 | 18000                    | 7200                       |
| 15.1                    | 429                    | Ex             | 185.05 | S063            | TS71C2 | 10000                    | 4000                       |
| 15.1                    | 429                    | Ex             | 184.88 | S083            | TS71C2 | 18000                    | 7200                       |
| 14.8                    | 468                    | 1.8            | 61.98  | S082            | TS80C6 | 18000                    | 7200                       |
| 14.8                    | 468                    | 1.8            | 61.98  | S082            | TS90S6 | 18000                    | 7200                       |
| 14.4                    | 467                    | 1.1            | 99.89  | S063            | TP80B4 | 10000                    | 4000                       |
| 14.4                    | 468                    | 2.9            | 100.15 | S103            | TP80B4 | 22000                    | 9000                       |
| 14.3                    | 470                    | 1.1            | 99.89  | S063            | TH80B4 | 10000                    | 4000                       |
| 14.3                    | 472                    | 2.9            | 100.15 | S103            | TH80B4 | 22000                    | 9000                       |
| 14.1                    | 461                    | Ex             | 203.11 | S083            | TP80A2 | 18000                    | 7200                       |
| 14.0                    | 480                    | 1.1            | 99.89  | S063            | TS80B4 | 10000                    | 4000                       |
| 14.0                    | 465                    | Ex             | 203.11 | S083            | TH80A2 | 18000                    | 7200                       |
| 14.0                    | 482                    | 2.8            | 100.15 | S103            | TS80B4 | 22000                    | 9000                       |
| 13.9                    | 498                    | 1.0            | 67.47  | S062            | TH90S6 | 10000                    | 4000                       |
| 13.9                    | 498                    | 1.0            | 67.47  | S062            | TP90S6 | 10000                    | 4000                       |
| 13.9                    | 488                    | 1.7            | 67.52  | S083            | TH90S6 | 18000                    | 7200                       |
| 13.9                    | 488                    | 1.7            | 67.52  | S083            | TP90S6 | 18000                    | 7200                       |
| 13.9                    | 501                    | 2.7            | 67.84  | S102            | TH90S6 | 22000                    | 9000                       |
| 13.9                    | 501                    | 2.7            | 67.84  | S102            | TP90S6 | 22000                    | 9000                       |
| 13.8                    | 471                    | Ex             | 203.11 | S083            | TS71C2 | 18000                    | 7200                       |
| 13.8                    | 470                    | Ex             | 203.11 | S083            | TS80A2 | 18000                    | 7200                       |
| 13.6                    | 509                    | 1.0            | 67.47  | S062            | TS80C6 | 10000                    | 4000                       |
| 13.6                    | 509                    | 1.0            | 67.47  | S062            | TS90S6 | 10000                    | 4000                       |

## 5.1 S GEARED MOTORS (50Hz)

## 0.75 kW

| n <sub>2</sub><br>[rpm] | M <sub>2</sub><br>[Nm] | f <sub>s</sub> | i      | Gear<br>reducer | Motor  | Fr <sub>2</sub><br>D [N] | Fr <sub>2</sub><br>C-L [N] |
|-------------------------|------------------------|----------------|--------|-----------------|--------|--------------------------|----------------------------|
| 13.6                    | 499                    | 1.7            | 67.52  | S083            | TS80C6 | 18000                    | 7200                       |
| 13.6                    | 499                    | 1.7            | 67.52  | S083            | TS90S6 | 18000                    | 7200                       |
| 13.6                    | 512                    | 2.7            | 67.84  | S102            | TS80C6 | 22000                    | 9000                       |
| 13.6                    | 512                    | 2.7            | 67.84  | S102            | TS90S6 | 22000                    | 9000                       |
| 13.0                    | 517                    | 2.6            | 110.55 | S103            | TP80B4 | 22000                    | 9000                       |
| 12.9                    | 520                    | 2.6            | 110.55 | S103            | TH80B4 | 22000                    | 9000                       |
| 12.7                    | 537                    | 1.6            | 74.18  | S083            | TH90S6 | 18000                    | 7200                       |
| 12.7                    | 537                    | 1.6            | 74.18  | S083            | TP90S6 | 18000                    | 7200                       |
| 12.7                    | 537                    | 2.5            | 74.18  | S103            | TH90S6 | 22000                    | 9000                       |
| 12.7                    | 537                    | 2.5            | 74.18  | S103            | TP90S6 | 22000                    | 9000                       |
| 12.7                    | 532                    | 2.6            | 110.55 | S103            | TS80B4 | 22000                    | 9000                       |
| 12.4                    | 548                    | 1.6            | 74.18  | S083            | TS80C6 | 18000                    | 7200                       |
| 12.4                    | 548                    | 1.6            | 74.18  | S083            | TS90S6 | 18000                    | 7200                       |
| 12.4                    | 548                    | 2.5            | 74.18  | S103            | TS80C6 | 22000                    | 9000                       |
| 12.4                    | 548                    | 2.5            | 74.18  | S103            | TS90S6 | 22000                    | 9000                       |
| 12.3                    | 548                    | 1.6            | 117.17 | S083            | TP80B4 | 18000                    | 7200                       |
| 12.2                    | 552                    | 1.5            | 117.17 | S083            | TH80B4 | 18000                    | 7200                       |
| 11.9                    | 564                    | 1.5            | 117.17 | S083            | TS80B4 | 18000                    | 7200                       |
| 11.5                    | 589                    | 2.3            | 81.39  | S103            | TH90S6 | 22000                    | 9000                       |
| 11.5                    | 589                    | 2.3            | 81.39  | S103            | TP90S6 | 22000                    | 9000                       |
| 11.4                    | 569                    | Ex             | 250.50 | S083            | TP80A2 | 18000                    | 7200                       |
| 11.3                    | 573                    | Ex             | 250.50 | S083            | TH80A2 | 18000                    | 7200                       |
| 11.3                    | 602                    | 2.3            | 81.39  | S103            | TS80C6 | 22000                    | 9000                       |
| 11.3                    | 602                    | 2.3            | 81.39  | S103            | TS90S6 | 22000                    | 9000                       |
| 11.2                    | 602                    | 1.4            | 128.73 | S083            | TP80B4 | 18000                    | 7200                       |
| 11.2                    | 581                    | Ex             | 250.50 | S083            | TS71C2 | 18000                    | 7200                       |
| 11.2                    | 579                    | Ex             | 250.50 | S083            | TS80A2 | 18000                    | 7200                       |
| 11.2                    | 602                    | 2.3            | 128.73 | S103            | TP80B4 | 22000                    | 9000                       |
| 11.1                    | 606                    | 1.4            | 128.73 | S083            | TH80B4 | 18000                    | 7200                       |
| 11.1                    | 606                    | 2.3            | 128.73 | S103            | TH80B4 | 22000                    | 9000                       |
| 10.9                    | 619                    | 1.4            | 128.73 | S083            | TS80B4 | 18000                    | 7200                       |
| 10.9                    | 619                    | 2.2            | 128.73 | S103            | TS80B4 | 22000                    | 9000                       |
| 10.3                    | 662                    | 1.3            | 91.49  | S083            | TH90S6 | 18000                    | 7200                       |
| 10.3                    | 662                    | 1.3            | 91.49  | S083            | TP90S6 | 18000                    | 7200                       |
| 10.2                    | 660                    | 2.1            | 141.24 | S103            | TP80B4 | 22000                    | 9000                       |
| 10.1                    | 676                    | 1.3            | 91.49  | S083            | TS80C6 | 18000                    | 7200                       |
| 10.1                    | 676                    | 1.3            | 91.49  | S083            | TS90S6 | 18000                    | 7200                       |
| 10.1                    | 665                    | 2.1            | 141.24 | S103            | TH80B4 | 22000                    | 9000                       |
| 9.9                     | 679                    | 2.0            | 141.24 | S103            | TS80B4 | 22000                    | 9000                       |
| 9.8                     | 664                    | Ex             | 292.36 | S083            | TP80A2 | 18000                    | 7200                       |
| 9.7                     | 669                    | Ex             | 292.36 | S083            | TH80A2 | 18000                    | 7200                       |

## 5.1 S GEARED MOTORS (50Hz)

## 0.75 kW

| n2<br>[rpm] | M2<br>[Nm] | fs  | i      | Gear<br>reducer | Motor  | Fr2<br>D [N] | Fr2<br>C-L [N] |
|-------------|------------|-----|--------|-----------------|--------|--------------|----------------|
| 9.6         | 678        | Ex  | 292.36 | S083            | TS71C2 | 18000        | 7200           |
| 9.6         | 676        | Ex  | 292.36 | S083            | TS80A2 | 18000        | 7200           |
| 9.4         | 724        | 1.9 | 100.15 | S103            | TH90S6 | 22000        | 9000           |
| 9.4         | 724        | 1.9 | 100.15 | S103            | TP90S6 | 22000        | 9000           |
| 9.2         | 740        | 1.8 | 100.15 | S103            | TS80C6 | 22000        | 9000           |
| 9.2         | 740        | 1.8 | 100.15 | S103            | TS90S6 | 22000        | 9000           |
| 9.1         | 742        | 1.1 | 158.76 | S083            | TP80B4 | 18000        | 7200           |
| 9.0         | 747        | 1.1 | 158.76 | S083            | TH80B4 | 18000        | 7200           |
| 8.8         | 764        | 1.1 | 158.76 | S083            | TS80B4 | 18000        | 7200           |
| 8.5         | 800        | 1.7 | 110.55 | S103            | TH90S6 | 22000        | 9000           |
| 8.5         | 800        | 1.7 | 110.55 | S103            | TP90S6 | 22000        | 9000           |
| 8.4         | 814        | 3.1 | 112.52 | S123            | TH90S6 | 30000        | 11200          |
| 8.4         | 814        | 3.1 | 112.52 | S123            | TP90S6 | 30000        | 11200          |
| 8.3         | 813        | 1.7 | 173.78 | S103            | TP80B4 | 22000        | 9000           |
| 8.3         | 817        | 1.7 | 110.55 | S103            | TS80C6 | 22000        | 9000           |
| 8.3         | 817        | 1.7 | 110.55 | S103            | TS90S6 | 22000        | 9000           |
| 8.2         | 818        | 1.7 | 173.78 | S103            | TH80B4 | 22000        | 9000           |
| 8.2         | 832        | 3.1 | 112.52 | S123            | TS80C6 | 30000        | 11200          |
| 8.2         | 832        | 3.1 | 112.52 | S123            | TS90S6 | 30000        | 11200          |
| 8.1         | 836        | 1.6 | 173.78 | S103            | TS80B4 | 22000        | 9000           |
| 8.1         | 836        | 3.1 | 177.53 | S123            | TH80B4 | 30000        | 11200          |
| 8.1         | 830        | 3.1 | 177.53 | S123            | TP80B4 | 30000        | 11200          |
| 8.0         | 848        | 1.0 | 117.17 | S083            | TH90S6 | 18000        | 7200           |
| 8.0         | 848        | 1.0 | 117.17 | S083            | TP90S6 | 18000        | 7200           |
| 7.9         | 854        | 3.0 | 177.53 | S123            | TS80B4 | 30000        | 11200          |
| 7.6         | 892        | 2.9 | 123.33 | S123            | TH90S6 | 30000        | 11200          |
| 7.6         | 892        | 2.9 | 123.33 | S123            | TP90S6 | 30000        | 11200          |
| 7.5         | 912        | 2.8 | 123.33 | S123            | TS80C6 | 30000        | 11200          |
| 7.5         | 912        | 2.8 | 123.33 | S123            | TS90S6 | 30000        | 11200          |
| 7.4         | 910        | 2.8 | 194.59 | S123            | TP80B4 | 30000        | 11200          |
| 7.3         | 931        | 1.5 | 128.73 | S103            | TH90S6 | 22000        | 9000           |
| 7.3         | 931        | 1.5 | 128.73 | S103            | TP90S6 | 22000        | 9000           |
| 7.3         | 916        | 2.8 | 194.59 | S123            | TH80B4 | 30000        | 11200          |
| 7.2         | 936        | 2.7 | 194.59 | S123            | TS80B4 | 30000        | 11200          |
| 7.1         | 951        | 1.4 | 128.73 | S103            | TS90S6 | 22000        | 9000           |
| 7.1         | 950        | 1.4 | 203.11 | S103            | TP80B4 | 22000        | 9000           |
| 7.1         | 951        | 1.4 | 128.73 | S103            | TS80C6 | 22000        | 9000           |
| 7.0         | 956        | 1.4 | 203.11 | S103            | TH80B4 | 22000        | 9000           |
| 7.0         | 968        | 2.7 | 133.78 | S123            | TH90S6 | 30000        | 11200          |
| 7.0         | 968        | 2.7 | 133.78 | S123            | TP90S6 | 30000        | 11200          |
| 6.9         | 977        | 1.4 | 203.11 | S103            | TS80B4 | 22000        | 9000           |



## 5.1 S GEARED MOTORS (50Hz)

## 0.75 kW

| n <sub>2</sub><br>[rpm] | M <sub>2</sub><br>[Nm] | f <sub>s</sub> | i      | Gear<br>reducer | Motor  | Fr <sub>2</sub><br>D [N] | Fr <sub>2</sub><br>C-L [N] |
|-------------------------|------------------------|----------------|--------|-----------------|--------|--------------------------|----------------------------|
| 6.9                     | 989                    | 2.6            | 133.78 | S123            | TS80C6 | 30000                    | 11200                      |
| 6.9                     | 989                    | 2.6            | 133.78 | S123            | TS90S6 | 30000                    | 11200                      |
| 6.7                     | 1022                   | 1.3            | 141.24 | S103            | TH90S6 | 22000                    | 9000                       |
| 6.7                     | 1022                   | 1.3            | 141.24 | S103            | TP90S6 | 22000                    | 9000                       |
| 6.5                     | 1044                   | 1.3            | 141.24 | S103            | TS80C6 | 22000                    | 9000                       |
| 6.5                     | 1044                   | 1.3            | 141.24 | S103            | TS90S6 | 22000                    | 9000                       |
| 6.5                     | 1042                   | 1.3            | 222.85 | S103            | TP80B4 | 22000                    | 9000                       |
| 6.4                     | 1049                   | 1.3            | 222.85 | S103            | TH80B4 | 22000                    | 9000                       |
| 6.3                     | 1072                   | 1.3            | 222.85 | S103            | TS80B4 | 22000                    | 9000                       |
| 6.2                     | 1095                   | 2.3            | 151.43 | S123            | TH90S6 | 30000                    | 11200                      |
| 6.2                     | 1095                   | 2.3            | 151.43 | S123            | TP90S6 | 30000                    | 11200                      |
| 6.1                     | 1119                   | 2.3            | 151.43 | S123            | TS80C6 | 30000                    | 11200                      |
| 6.1                     | 1119                   | 2.3            | 151.43 | S123            | TS90S6 | 30000                    | 11200                      |
| 6.0                     | 1125                   | 2.3            | 238.93 | S123            | TH80B4 | 30000                    | 11200                      |
| 6.0                     | 1117                   | 2.3            | 238.93 | S123            | TP80B4 | 30000                    | 11200                      |
| 5.9                     | 1149                   | 2.2            | 238.93 | S123            | TS80B4 | 30000                    | 11200                      |
| 5.4                     | 1257                   | 1.1            | 173.78 | S103            | TH90S6 | 22000                    | 9000                       |
| 5.4                     | 1257                   | 1.1            | 173.78 | S103            | TP90S6 | 22000                    | 9000                       |
| 5.3                     | 1284                   | 1.1            | 173.78 | S103            | TS80C6 | 22000                    | 9000                       |
| 5.3                     | 1284                   | 1.1            | 173.78 | S103            | TS90S6 | 22000                    | 9000                       |
| 5.3                     | 1282                   | 1.1            | 274.20 | S103            | TP80B4 | 22000                    | 9000                       |
| 5.3                     | 1284                   | 2.0            | 177.53 | S123            | TH90S6 | 30000                    | 11200                      |
| 5.3                     | 1284                   | 2.0            | 177.53 | S123            | TP90S6 | 30000                    | 11200                      |
| 5.2                     | 1291                   | 1.1            | 274.20 | S103            | TH80B4 | 22000                    | 9000                       |
| 5.2                     | 1312                   | 2.0            | 177.53 | S123            | TS80C6 | 30000                    | 11200                      |
| 5.2                     | 1312                   | 2.0            | 177.53 | S123            | TS90S6 | 30000                    | 11200                      |
| 5.1                     | 1319                   | 1.0            | 274.20 | S103            | TS80B4 | 22000                    | 9000                       |
| 5.1                     | 1319                   | 1.9            | 280.10 | S123            | TH80B4 | 30000                    | 11200                      |
| 5.1                     | 1310                   | 2.0            | 280.10 | S123            | TP80B4 | 30000                    | 11200                      |
| 5.0                     | 1347                   | 1.9            | 280.10 | S123            | TS80B4 | 30000                    | 11200                      |
| 4.8                     | 1408                   | 1.8            | 194.59 | S123            | TH90S6 | 30000                    | 11200                      |
| 4.8                     | 1408                   | 1.8            | 194.59 | S123            | TP90S6 | 30000                    | 11200                      |
| 4.8                     | 1408                   | 1.8            | 301.16 | S123            | TP80B4 | 30000                    | 11200                      |
| 4.7                     | 1438                   | 1.8            | 194.59 | S123            | TS80C6 | 30000                    | 11200                      |
| 4.7                     | 1438                   | 1.8            | 194.59 | S123            | TS90S6 | 30000                    | 11200                      |
| 4.7                     | 1418                   | 1.8            | 301.16 | S123            | TH80B4 | 30000                    | 11200                      |
| 4.6                     | 1448                   | 1.8            | 301.16 | S123            | TS80B4 | 30000                    | 11200                      |
| 4.2                     | 1619                   | 1.6            | 343.93 | S123            | TH80B4 | 30000                    | 11200                      |
| 4.2                     | 1608                   | 1.6            | 343.93 | S123            | TP80B4 | 30000                    | 11200                      |
| 4.1                     | 1654                   | 1.5            | 343.93 | S123            | TS80B4 | 30000                    | 11200                      |
| 3.9                     | 1766                   | 1.5            | 238.93 | S123            | TS80C6 | 30000                    | 11200                      |

## 5.1 S GEARED MOTORS (50Hz)

## 0.75 kW

| n2 [rpm] | M2 [Nm] | fs  | i      | Gear reducer | Motor  | Fr2 D [N] | Fr2 C-L [N] |
|----------|---------|-----|--------|--------------|--------|-----------|-------------|
| 3.9      | 1728    | 1.5 | 238.93 | S123         | TH90S6 | 30000     | 11200       |
| 3.9      | 1728    | 1.5 | 238.93 | S123         | TP90S6 | 30000     | 11200       |
| 3.9      | 1766    | 1.5 | 238.93 | S123         | TS90S6 | 30000     | 11200       |
| 3.4      | 2026    | 1.3 | 280.10 | S123         | TH90S6 | 30000     | 11200       |
| 3.4      | 2026    | 1.3 | 280.10 | S123         | TP90S6 | 30000     | 11200       |
| 3.3      | 2070    | 1.2 | 280.10 | S123         | TS80C6 | 30000     | 11200       |
| 3.3      | 2070    | 1.2 | 280.10 | S123         | TS90S6 | 30000     | 11200       |
| 3.1      | 2226    | 1.2 | 301.16 | S123         | TS80C6 | 30000     | 11200       |
| 3.1      | 2179    | 1.2 | 301.16 | S123         | TH90S6 | 30000     | 11200       |
| 3.1      | 2179    | 1.2 | 301.16 | S123         | TP90S6 | 30000     | 11200       |
| 3.1      | 2226    | 1.2 | 301.16 | S123         | TS90S6 | 30000     | 11200       |
| 2.7      | 2488    | 1.0 | 343.93 | S123         | TH90S6 | 30000     | 11200       |
| 2.7      | 2488    | 1.0 | 343.93 | S123         | TP90S6 | 30000     | 11200       |
| 2.7      | 2542    | 1.0 | 343.93 | S123         | TS90S6 | 30000     | 11200       |
| 2.7      | 2542    | 1.0 | 343.93 | S123         | TS80C6 | 30000     | 11200       |

## 0.92 kW

| n2 [rpm] | M2 [Nm] | fs  | i     | Gear reducer | Motor  | Fr2 D [N] | Fr2 C-L [N] |
|----------|---------|-----|-------|--------------|--------|-----------|-------------|
| 162.3    | 52      | 2.4 | 8.63  | S052         | TS80C4 | 4061      | 4061        |
| 125.7    | 67      | 2.0 | 11.14 | S052         | TS80C4 | 4358      | 4358        |
| 102.5    | 82      | 1.8 | 13.66 | S052         | TS80C4 | 4599      | 4599        |
| 91.7     | 92      | 1.9 | 15.27 | S052         | TS80C4 | 4734      | 4734        |
| 86.0     | 98      | 1.8 | 16.29 | S052         | TS80C4 | 4811      | 4811        |
| 75.1     | 112     | 1.6 | 18.63 | S052         | TS80C4 | 4973      | 4973        |
| 71.6     | 118     | 2.8 | 19.55 | S062         | TS80C4 | 9080      | 3632        |
| 66.6     | 127     | 1.5 | 21.04 | S052         | TS80C4 | 5119      | 5119        |
| 60.4     | 140     | 2.4 | 23.18 | S062         | TS80C4 | 9509      | 3804        |
| 58.2     | 145     | 1.3 | 24.07 | S052         | TS80C4 | 5279      | 5279        |
| 55.7     | 151     | 2.3 | 25.14 | S062         | TS80C4 | 9717      | 3887        |
| 54.3     | 155     | 1.3 | 25.79 | S052         | TS80C4 | 5360      | 5360        |
| 50.6     | 167     | 2.1 | 27.66 | S062         | TS80C4 | 9962      | 3985        |
| 50.3     | 168     | 1.2 | 27.81 | S052         | TS80C4 | 5447      | 5447        |
| 46.7     | 181     | 1.2 | 30.00 | S052         | TS80C4 | 5533      | 5533        |
| 46.7     | 181     | 2.0 | 30.00 | S062         | TS80C4 | 10000     | 4000        |
| 43.0     | 196     | 1.3 | 32.55 | S052         | TS80C4 | 5624      | 5624        |
| 38.3     | 220     | 1.3 | 36.55 | S052         | TS80C4 | 5747      | 5747        |
| 38.3     | 220     | 2.3 | 36.57 | S062         | TS80C4 | 10000     | 4000        |
| 35.6     | 237     | 2.1 | 39.38 | S062         | TS80C4 | 10000     | 4000        |
| 35.1     | 240     | 1.2 | 39.90 | S052         | TS80C4 | 5836      | 5836        |
| 32.8     | 257     | 1.2 | 42.63 | S052         | TS80C4 | 5900      | 5900        |

## 5.1 S GEARED MOTORS (50Hz)

## 0.92 kW

| n2<br>[rpm] | M2<br>[Nm] | fs  | i      | Gear<br>reducer | Motor  | Fr2<br>D [N] | Fr2<br>C-L [N] |
|-------------|------------|-----|--------|-----------------|--------|--------------|----------------|
| 32.5        | 259        | 3.3 | 43.05  | S082            | TS80C4 | 18000        | 6845           |
| 32.1        | 263        | 1.9 | 43.64  | S062            | TS80C4 | 10000        | 4000           |
| 30.4        | 278        | 1.8 | 46.10  | S062            | TS80C4 | 10000        | 4000           |
| 29.7        | 284        | 1.0 | 47.20  | S052            | TS80C4 | 5993         | 5993           |
| 27.9        | 303        | 2.8 | 50.25  | S082            | TS80C4 | 18000        | 7175           |
| 26.2        | 322        | 1.6 | 53.53  | S062            | TS80C4 | 10000        | 4000           |
| 25.8        | 327        | 2.6 | 54.27  | S082            | TS80C4 | 18000        | 7200           |
| 25.5        | 331        | 1.5 | 55.00  | S062            | TS80C4 | 10000        | 4000           |
| 25.4        | 332        | 3.3 | 55.14  | S102            | TS80C4 | 22000        | 9000           |
| 22.6        | 373        | 2.3 | 61.98  | S082            | TS80C4 | 18000        | 7200           |
| 20.8        | 406        | 1.3 | 67.47  | S062            | TS80C4 | 10000        | 4000           |
| 20.7        | 398        | 2.1 | 67.52  | S083            | TS80C4 | 18000        | 7200           |
| 20.6        | 409        | 3.3 | 67.84  | S102            | TS80C4 | 22000        | 9000           |
| 18.9        | 438        | 1.9 | 74.18  | S083            | TS80C4 | 18000        | 7200           |
| 18.9        | 438        | 3.1 | 74.18  | S103            | TS80C4 | 22000        | 9000           |
| 17.2        | 480        | 1.1 | 81.43  | S063            | TS80C4 | 10000        | 4000           |
| 17.2        | 480        | 2.8 | 81.39  | S103            | TS80C4 | 22000        | 9000           |
| 15.3        | 540        | 1.6 | 91.49  | S083            | TS80C4 | 18000        | 7200           |
| 14.0        | 591        | 2.3 | 100.15 | S103            | TS80C4 | 22000        | 9000           |
| 12.7        | 652        | 2.1 | 110.55 | S103            | TS80C4 | 22000        | 9000           |
| 11.9        | 691        | 1.2 | 117.17 | S083            | TS80C4 | 18000        | 7200           |
| 10.9        | 759        | 1.1 | 128.73 | S083            | TS80C4 | 18000        | 7200           |
| 10.9        | 759        | 1.8 | 128.73 | S103            | TS80C4 | 22000        | 9000           |
| 10.5        | 789        | 3.3 | 133.78 | S123            | TS80C4 | 30000        | 11200          |
| 9.9         | 833        | 1.6 | 141.24 | S103            | TS80C4 | 22000        | 9000           |
| 9.2         | 893        | 2.9 | 151.43 | S123            | TS80C4 | 30000        | 11200          |
| 8.1         | 1025       | 1.3 | 173.78 | S103            | TS80C4 | 22000        | 9000           |
| 7.9         | 1047       | 2.4 | 177.53 | S123            | TS80C4 | 30000        | 11200          |
| 7.2         | 1148       | 2.2 | 194.59 | S123            | TS80C4 | 30000        | 11200          |
| 6.9         | 1198       | 1.1 | 203.11 | S103            | TS80C4 | 22000        | 9000           |
| 6.3         | 1315       | 1.0 | 222.85 | S103            | TS80C4 | 22000        | 9000           |
| 5.9         | 1410       | 1.8 | 238.93 | S123            | TS80C4 | 30000        | 11200          |
| 5.0         | 1652       | 1.5 | 280.10 | S123            | TS80C4 | 30000        | 11200          |
| 4.6         | 1777       | 1.4 | 301.16 | S123            | TS80C4 | 30000        | 11200          |
| 4.1         | 2029       | 1.3 | 343.93 | S123            | TS80C4 | 30000        | 11200          |

## 1.10 kW

| n2<br>[rpm] | M2<br>[Nm] | fs | i     | Gear<br>reducer | Motor  | Fr2<br>D [N] | Fr2<br>C-L [N] |
|-------------|------------|----|-------|-----------------|--------|--------------|----------------|
| 256.7       | 38         | Ex | 11.14 | S052            | TP80B2 | 3530         | 3530           |
| 254.9       | 38         | Ex | 11.14 | S052            | TH80B2 | 3537         | 3537           |

## 5.1 S GEARED MOTORS (50Hz)

## 1.10 kW

| n2<br>[rpm] | M2<br>[Nm] | fs  | i     | Gear<br>reducer | Motor    | Fr2<br>D [N] | Fr2<br>C-L [N] |
|-------------|------------|-----|-------|-----------------|----------|--------------|----------------|
| 254.0       | 38         | Ex  | 11.14 | S052            | TS80B2   | 3541         | 3541           |
| 209.4       | 46         | Ex  | 13.66 | S052            | TP80B2   | 3741         | 3741           |
| 208.0       | 47         | Ex  | 13.66 | S052            | TH80B2   | 3749         | 3749           |
| 207.2       | 47         | Ex  | 13.66 | S052            | TS80B2   | 3752         | 3752           |
| 187.3       | 52         | Ex  | 15.27 | S052            | TP80B2   | 3860         | 3860           |
| 186.0       | 52         | Ex  | 15.27 | S052            | TH80B2   | 3868         | 3868           |
| 185.3       | 53         | Ex  | 15.27 | S052            | TS80B2   | 3871         | 3871           |
| 175.6       | 55         | Ex  | 16.29 | S052            | TP80B2   | 3929         | 3929           |
| 174.4       | 56         | Ex  | 16.29 | S052            | TH80B2   | 3937         | 3937           |
| 173.8       | 56         | Ex  | 16.29 | S052            | TS80B2   | 3941         | 3941           |
| 165.8       | 61         | 2.0 | 8.63  | S052            | TH90S4   | 3979         | 3979           |
| 165.8       | 61         | 2.0 | 8.63  | S052            | TP90S4   | 3979         | 3979           |
| 163.5       | 62         | 2.0 | 8.63  | S052            | TS80D4   | 3994         | 3994           |
| 162.3       | 62         | 2.0 | 8.63  | S052            | TS90S4   | 4002         | 4002           |
| 153.5       | 63         | Ex  | 18.63 | S052            | TP80B2   | 4076         | 4076           |
| 152.4       | 64         | Ex  | 18.63 | S052            | TH80B2   | 4083         | 4083           |
| 151.9       | 64         | Ex  | 18.63 | S052            | TS80B2   | 4087         | 4087           |
| 136.0       | 72         | Ex  | 21.04 | S052            | TP80B2   | 4210         | 4210           |
| 135.0       | 72         | Ex  | 21.04 | S052            | TH80B2   | 4218         | 4218           |
| 134.5       | 72         | Ex  | 21.04 | S052            | TS80B2   | 4222         | 4222           |
| 128.4       | 79         | 1.7 | 11.14 | S052            | TH90S4   | 4258         | 4258           |
| 128.4       | 79         | 1.7 | 11.14 | S052            | TP90S4   | 4258         | 4258           |
| 126.6       | 80         | 1.7 | 11.14 | S052            | TS80D4   | 4273         | 4273           |
| 125.7       | 80         | 1.7 | 11.14 | S052            | TS90S4   | 4281         | 4281           |
| 118.8       | 82         | Ex  | 24.07 | S052            | TP80B2   | 4360         | 4360           |
| 118.0       | 82         | Ex  | 24.07 | S052            | TH80B2   | 4368         | 4368           |
| 117.6       | 83         | Ex  | 24.07 | S052            | TS80B2   | 4372         | 4372           |
| 117.5       | 87         | 2.7 | 8.00  | S062            | TH90L6   | 7796         | 3118           |
| 116.3       | 88         | 2.7 | 8.00  | S062            | TS90L6   | 7819         | 3128           |
| 110.9       | 88         | Ex  | 25.79 | S052            | TP80B2   | 4437         | 4437           |
| 110.1       | 88         | Ex  | 25.79 | S052            | TH80B2   | 4445         | 4445           |
| 110.1       | 92         | 1.3 | 8.63  | S052            | TP100LR6 | 4421         | 4421           |
| 109.8       | 89         | Ex  | 25.79 | S052            | TS80B2   | 4449         | 4449           |
| 109.0       | 93         | 1.3 | 8.63  | S052            | TH90L6   | 4433         | 4433           |
| 107.8       | 94         | 1.3 | 8.63  | S052            | TS90L6   | 4445         | 4445           |
| 104.7       | 96         | 1.6 | 13.66 | S052            | TH90S4   | 4482         | 4482           |
| 104.7       | 96         | 1.6 | 13.66 | S052            | TP90S4   | 4482         | 4482           |
| 103.4       | 94         | Ex  | 27.66 | S062            | TP80B2   | 8108         | 3243           |
| 103.2       | 98         | 1.6 | 13.66 | S052            | TS80D4   | 4498         | 4498           |
| 102.8       | 95         | Ex  | 27.81 | S052            | TP80B2   | 4522         | 4522           |
| 102.7       | 95         | Ex  | 27.66 | S062            | TH80B2   | 8124         | 3250           |

## 5.1 S GEARED MOTORS (50Hz)

## 1.10 kW

| n2<br>[rpm] | M2<br>[Nm] | fs  | i     | Gear<br>reducer | Motor    | Fr2<br>D [N] | Fr2<br>C-L [N] |
|-------------|------------|-----|-------|-----------------|----------|--------------|----------------|
| 102.5       | 98         | 1.5 | 13.66 | S052            | TS90S4   | 4506         | 4506           |
| 102.3       | 95         | Ex  | 27.66 | S062            | TS80B2   | 8132         | 3253           |
| 102.1       | 95         | Ex  | 27.81 | S052            | TH80B2   | 4530         | 4530           |
| 101.8       | 96         | Ex  | 27.81 | S052            | TS80B2   | 4534         | 4534           |
| 99.5        | 102        | 2.5 | 9.55  | S062            | TP100LR6 | 8166         | 3267           |
| 98.5        | 103        | 2.5 | 9.55  | S062            | TH90L6   | 8190         | 3276           |
| 97.4        | 105        | 2.5 | 9.55  | S062            | TS90L6   | 8215         | 3286           |
| 95.3        | 102        | Ex  | 30.00 | S052            | TP80B2   | 4608         | 4608           |
| 95.3        | 102        | Ex  | 30.00 | S062            | TP80B2   | 8294         | 3318           |
| 94.7        | 103        | Ex  | 30.00 | S052            | TH80B2   | 4615         | 4615           |
| 94.7        | 103        | Ex  | 30.00 | S062            | TH80B2   | 8310         | 3324           |
| 94.3        | 103        | Ex  | 30.00 | S052            | TS80B2   | 4619         | 4619           |
| 94.3        | 103        | Ex  | 30.00 | S062            | TS80B2   | 8318         | 3327           |
| 93.6        | 108        | 1.6 | 15.27 | S052            | TH90S4   | 4606         | 4606           |
| 93.6        | 108        | 1.6 | 15.27 | S052            | TP90S4   | 4606         | 4606           |
| 92.3        | 109        | 1.6 | 15.27 | S052            | TS80D4   | 4621         | 4621           |
| 91.7        | 110        | 1.6 | 15.27 | S052            | TS90S4   | 4629         | 4629           |
| 88.5        | 114        | 2.8 | 15.94 | S062            | TS80D4   | 8442         | 3377           |
| 87.9        | 111        | Ex  | 32.55 | S052            | TP80B2   | 4699         | 4699           |
| 87.8        | 115        | 1.5 | 16.29 | S052            | TH90S4   | 4676         | 4676           |
| 87.8        | 115        | 1.5 | 16.29 | S052            | TP90S4   | 4676         | 4676           |
| 87.8        | 115        | 2.8 | 15.94 | S062            | TS90S4   | 8458         | 3383           |
| 87.3        | 112        | Ex  | 32.55 | S052            | TH80B2   | 4707         | 4707           |
| 86.9        | 112        | Ex  | 32.55 | S052            | TS80B2   | 4711         | 4711           |
| 86.6        | 116        | 1.5 | 16.29 | S052            | TS80D4   | 4692         | 4692           |
| 86.0        | 117        | 1.5 | 16.29 | S052            | TS90S4   | 4700         | 4700           |
| 85.3        | 119        | 1.1 | 11.14 | S052            | TP100LR6 | 4702         | 4702           |
| 84.4        | 121        | 1.1 | 11.14 | S052            | TH90L6   | 4713         | 4713           |
| 83.5        | 122        | 1.1 | 11.14 | S052            | TS90L6   | 4725         | 4725           |
| 81.1        | 126        | 2.2 | 11.71 | S062            | TP100LR6 | 8634         | 3454           |
| 80.3        | 127        | 2.2 | 11.71 | S062            | TH90L6   | 8659         | 3464           |
| 79.4        | 128        | 2.2 | 11.71 | S062            | TS90L6   | 8684         | 3473           |
| 78.3        | 124        | Ex  | 36.55 | S052            | TP80B2   | 4828         | 4828           |
| 78.2        | 124        | Ex  | 36.57 | S062            | TP80B2   | 8756         | 3503           |
| 77.7        | 125        | Ex  | 36.55 | S052            | TH80B2   | 4836         | 4836           |
| 77.7        | 125        | Ex  | 36.57 | S062            | TH80B2   | 8773         | 3509           |
| 77.4        | 126        | Ex  | 36.55 | S052            | TS80B2   | 4840         | 4840           |
| 77.4        | 126        | Ex  | 36.57 | S062            | TS80B2   | 8781         | 3513           |
| 76.8        | 131        | 1.3 | 18.63 | S052            | TH90S4   | 4823         | 4823           |
| 76.8        | 131        | 1.3 | 18.63 | S052            | TP90S4   | 4823         | 4823           |
| 75.7        | 133        | 1.3 | 18.63 | S052            | TS80D4   | 4838         | 4838           |

## 5.1 S GEARED MOTORS (50Hz)

## 1.10 kW

| n <sub>2</sub><br>[rpm] | M <sub>2</sub><br>[Nm] | f <sub>s</sub> | i     | Gear<br>reducer | Motor    | Fr <sub>2</sub><br>D [N] | Fr <sub>2</sub><br>C-L [N] |
|-------------------------|------------------------|----------------|-------|-----------------|----------|--------------------------|----------------------------|
| 75.1                    | 134                    | 1.3            | 18.63 | S052            | TS90S4   | 4846                     | 4846                       |
| 73.1                    | 138                    | 2.4            | 19.55 | S062            | TH90S4   | 8884                     | 3554                       |
| 73.1                    | 138                    | 2.4            | 19.55 | S062            | TP90S4   | 8884                     | 3554                       |
| 72.6                    | 134                    | Ex             | 39.38 | S062            | TP80B2   | 8931                     | 3573                       |
| 72.1                    | 140                    | 2.4            | 19.55 | S062            | TS80D4   | 8917                     | 3567                       |
| 72.1                    | 135                    | Ex             | 39.38 | S062            | TH80B2   | 8948                     | 3579                       |
| 71.9                    | 135                    | Ex             | 39.38 | S062            | TS80B2   | 8957                     | 3583                       |
| 71.7                    | 136                    | Ex             | 39.90 | S052            | TP80B2   | 4925                     | 4925                       |
| 71.6                    | 141                    | 2.4            | 19.55 | S062            | TS90S4   | 8934                     | 3574                       |
| 71.2                    | 137                    | Ex             | 39.90 | S052            | TH80B2   | 4933                     | 4933                       |
| 71.1                    | 143                    | 2.1            | 13.36 | S062            | TP100LR6 | 8941                     | 3576                       |
| 70.9                    | 137                    | Ex             | 39.90 | S052            | TS80B2   | 4937                     | 4937                       |
| 70.4                    | 145                    | 2.1            | 13.36 | S062            | TH90L6   | 8966                     | 3586                       |
| 69.6                    | 146                    | 1.0            | 13.66 | S052            | TP100LR6 | 4920                     | 4920                       |
| 69.6                    | 146                    | 2.1            | 13.36 | S062            | TS90L6   | 8991                     | 3596                       |
| 68.8                    | 148                    | 1.0            | 13.66 | S052            | TH90L6   | 4931                     | 4931                       |
| 68.1                    | 150                    | 1.0            | 13.66 | S052            | TS90L6   | 4942                     | 4942                       |
| 68.0                    | 148                    | 1.3            | 21.04 | S052            | TH90S4   | 4953                     | 4953                       |
| 68.0                    | 148                    | 1.3            | 21.04 | S052            | TP90S4   | 4953                     | 4953                       |
| 67.1                    | 145                    | Ex             | 42.63 | S052            | TP80B2   | 4997                     | 4997                       |
| 67.0                    | 150                    | 1.2            | 21.04 | S052            | TS80D4   | 4968                     | 4968                       |
| 66.6                    | 146                    | Ex             | 42.63 | S052            | TH80B2   | 5005                     | 5005                       |
| 66.6                    | 152                    | 1.2            | 21.04 | S052            | TS90S4   | 4975                     | 4975                       |
| 66.4                    | 147                    | Ex             | 42.63 | S052            | TS80B2   | 5009                     | 5009                       |
| 65.5                    | 148                    | Ex             | 43.64 | S062            | TP80B2   | 9177                     | 3671                       |
| 65.1                    | 150                    | Ex             | 43.64 | S062            | TH80B2   | 9194                     | 3677                       |
| 64.9                    | 150                    | Ex             | 43.64 | S062            | TS80B2   | 9202                     | 3681                       |
| 62.2                    | 164                    | 1.1            | 15.27 | S052            | TP100LR6 | 5036                     | 5036                       |
| 62.0                    | 157                    | Ex             | 46.10 | S062            | TP80B2   | 9309                     | 3723                       |
| 61.7                    | 163                    | 2.1            | 23.18 | S062            | TH90S4   | 9286                     | 3714                       |
| 61.7                    | 163                    | 2.1            | 23.18 | S062            | TP90S4   | 9286                     | 3714                       |
| 61.6                    | 158                    | Ex             | 46.10 | S062            | TH80B2   | 9325                     | 3730                       |
| 61.5                    | 165                    | 1.1            | 15.27 | S052            | TH90L6   | 5047                     | 5047                       |
| 61.4                    | 159                    | Ex             | 46.10 | S062            | TS80B2   | 9334                     | 3734                       |
| 60.9                    | 167                    | 1.0            | 15.27 | S052            | TS90L6   | 5058                     | 5058                       |
| 60.8                    | 166                    | 2.0            | 23.18 | S062            | TS80D4   | 9319                     | 3728                       |
| 60.6                    | 161                    | Ex             | 47.20 | S052            | TP80B2   | 5107                     | 5107                       |
| 60.4                    | 167                    | 2.0            | 23.18 | S062            | TS90S4   | 9336                     | 3734                       |
| 60.2                    | 162                    | Ex             | 47.20 | S052            | TH80B2   | 5114                     | 5114                       |
| 60.0                    | 162                    | Ex             | 47.20 | S052            | TS80B2   | 5118                     | 5118                       |
| 59.6                    | 171                    | 1.9            | 15.94 | S062            | TP100LR6 | 9357                     | 3743                       |

## 5.1 S GEARED MOTORS (50Hz)

## 1.10 kW

| n <sub>2</sub><br>[rpm] | M <sub>2</sub><br>[Nm] | f <sub>s</sub> | i     | Gear<br>reducer | Motor    | Fr <sub>2</sub><br>D [N] | Fr <sub>2</sub><br>C-L [N] |
|-------------------------|------------------------|----------------|-------|-----------------|----------|--------------------------|----------------------------|
| 59.4                    | 170                    | 1.1            | 24.07 | S052            | TH90S4   | 5093                     | 5093                       |
| 59.4                    | 170                    | 1.1            | 24.07 | S052            | TP90S4   | 5093                     | 5093                       |
| 59.0                    | 173                    | 1.9            | 15.94 | S062            | TH90L6   | 9382                     | 3753                       |
| 58.6                    | 172                    | 1.1            | 24.07 | S052            | TS80D4   | 5107                     | 5107                       |
| 58.4                    | 175                    | 1.9            | 15.94 | S062            | TS90L6   | 9407                     | 3763                       |
| 58.2                    | 173                    | 1.1            | 24.07 | S052            | TS90S4   | 5114                     | 5114                       |
| 56.9                    | 177                    | 2.0            | 25.14 | S062            | TH90S4   | 9479                     | 3792                       |
| 56.9                    | 177                    | 2.0            | 25.14 | S062            | TP90S4   | 9479                     | 3792                       |
| 56.1                    | 180                    | 1.9            | 25.14 | S062            | TS80D4   | 9512                     | 3805                       |
| 55.7                    | 181                    | 1.9            | 25.14 | S062            | TS90S4   | 9529                     | 3812                       |
| 55.5                    | 182                    | 1.1            | 25.79 | S052            | TH90S4   | 5162                     | 5162                       |
| 55.5                    | 182                    | 1.1            | 25.79 | S052            | TP90S4   | 5162                     | 5162                       |
| 54.7                    | 184                    | 1.1            | 25.79 | S052            | TS80D4   | 5176                     | 5176                       |
| 54.7                    | 178                    | Ex             | 52.25 | S052            | TP80B2   | 5213                     | 5213                       |
| 54.4                    | 179                    | Ex             | 52.25 | S052            | TH80B2   | 5220                     | 5220                       |
| 54.3                    | 186                    | 1.1            | 25.79 | S052            | TS90S4   | 5183                     | 5183                       |
| 54.2                    | 180                    | Ex             | 52.25 | S052            | TS80B2   | 5224                     | 5224                       |
| 53.4                    | 182                    | Ex             | 53.53 | S062            | TP80B2   | 9669                     | 3868                       |
| 53.1                    | 183                    | Ex             | 53.53 | S062            | TH80B2   | 9686                     | 3874                       |
| 52.9                    | 184                    | Ex             | 53.53 | S062            | TS80B2   | 9695                     | 3878                       |
| 52.0                    | 187                    | Ex             | 55.00 | S062            | TP80B2   | 9735                     | 3894                       |
| 51.7                    | 195                    | 1.8            | 27.66 | S062            | TH90S4   | 9705                     | 3882                       |
| 51.7                    | 195                    | 1.8            | 27.66 | S062            | TP90S4   | 9705                     | 3882                       |
| 51.6                    | 188                    | Ex             | 55.00 | S062            | TH80B2   | 9752                     | 3901                       |
| 51.5                    | 189                    | Ex             | 55.00 | S062            | TS80B2   | 9760                     | 3904                       |
| 51.4                    | 196                    | 1.1            | 27.81 | S052            | TH90S4   | 5236                     | 5236                       |
| 51.4                    | 196                    | 1.1            | 27.81 | S052            | TP90S4   | 5236                     | 5236                       |
| 51.0                    | 198                    | 1.7            | 27.66 | S062            | TS80D4   | 9739                     | 3895                       |
| 50.7                    | 199                    | 1.0            | 27.81 | S052            | TS80D4   | 5250                     | 5250                       |
| 50.6                    | 199                    | 1.7            | 27.66 | S062            | TS90S4   | 9756                     | 3902                       |
| 50.3                    | 200                    | 1.0            | 27.81 | S052            | TS90S4   | 5257                     | 5257                       |
| 49.4                    | 197                    | Ex             | 57.86 | S052            | TP80B2   | 5316                     | 5316                       |
| 49.1                    | 198                    | Ex             | 57.86 | S052            | TH80B2   | 5323                     | 5323                       |
| 48.9                    | 199                    | Ex             | 57.86 | S052            | TS80B2   | 5326                     | 5326                       |
| 48.6                    | 210                    | 1.6            | 19.55 | S062            | TP100LR6 | 9839                     | 3936                       |
| 48.1                    | 212                    | 1.6            | 19.55 | S062            | TH90L6   | 9864                     | 3946                       |
| 47.7                    | 212                    | 1.7            | 30.00 | S062            | TH90S4   | 9898                     | 3959                       |
| 47.7                    | 212                    | 1.7            | 30.00 | S062            | TP90S4   | 9898                     | 3959                       |
| 47.6                    | 214                    | 1.6            | 19.55 | S062            | TS90L6   | 9890                     | 3956                       |
| 47.2                    | 216                    | 2.6            | 20.14 | S082            | TP100LR6 | 18000                    | 6067                       |
| 47.0                    | 215                    | 1.7            | 30.00 | S062            | TS80D4   | 9932                     | 3973                       |

## 5.1 S GEARED MOTORS (50Hz)

## 1.10 kW

| n <sub>2</sub><br>[rpm] | M <sub>2</sub><br>[Nm] | f <sub>s</sub> | i     | Gear<br>reducer | Motor    | Fr <sub>2</sub><br>D [N] | Fr <sub>2</sub><br>C-L [N] |
|-------------------------|------------------------|----------------|-------|-----------------|----------|--------------------------|----------------------------|
| 46.7                    | 216                    | 1.7            | 30.00 | S062            | TS90S4   | 9948                     | 3979                       |
| 46.7                    | 218                    | 2.5            | 20.14 | S082            | TH90L6   | 18000                    | 6087                       |
| 46.2                    | 221                    | 2.5            | 20.14 | S082            | TS90L6   | 18000                    | 6107                       |
| 46.1                    | 211                    | Ex             | 61.98 | S082            | TP80B2   | 18000                    | 6117                       |
| 45.8                    | 212                    | Ex             | 61.98 | S082            | TH80B2   | 18000                    | 6130                       |
| 45.7                    | 213                    | Ex             | 61.98 | S082            | TS80B2   | 18000                    | 6137                       |
| 43.9                    | 230                    | 1.1            | 32.55 | S052            | TH90S4   | 5382                     | 5382                       |
| 43.9                    | 230                    | 1.1            | 32.55 | S052            | TP90S4   | 5382                     | 5382                       |
| 43.3                    | 233                    | 1.1            | 32.55 | S052            | TS80D4   | 5394                     | 5394                       |
| 43.0                    | 234                    | 1.1            | 32.55 | S052            | TS90S4   | 5401                     | 5401                       |
| 42.9                    | 237                    | 2.4            | 22.13 | S082            | TP100LR6 | 18000                    | 6244                       |
| 42.5                    | 240                    | 2.4            | 22.13 | S082            | TH90L6   | 18000                    | 6265                       |
| 42.4                    | 230                    | Ex             | 67.47 | S062            | TP80B2   | 10000                    | 4000                       |
| 42.4                    | 225                    | Ex             | 67.52 | S083            | TP80B2   | 18000                    | 6285                       |
| 42.1                    | 231                    | Ex             | 67.47 | S062            | TH80B2   | 10000                    | 4000                       |
| 42.1                    | 227                    | Ex             | 67.52 | S083            | TH80B2   | 18000                    | 6299                       |
| 42.0                    | 242                    | 2.4            | 22.13 | S082            | TS90L6   | 18000                    | 6285                       |
| 41.9                    | 232                    | Ex             | 67.47 | S062            | TS80B2   | 10000                    | 4000                       |
| 41.9                    | 227                    | Ex             | 67.52 | S083            | TS80B2   | 18000                    | 6306                       |
| 41.0                    | 249                    | 1.4            | 23.18 | S062            | TP100LR6 | 10000                    | 4000                       |
| 40.6                    | 251                    | 1.3            | 23.18 | S062            | TH90L6   | 10000                    | 4000                       |
| 40.1                    | 254                    | 1.3            | 23.18 | S062            | TS90L6   | 10000                    | 4000                       |
| 40.1                    | 251                    | 3.4            | 34.91 | S082            | TS90S4   | 18000                    | 6378                       |
| 39.6                    | 257                    | 2.2            | 24.00 | S082            | TP100LR6 | 18000                    | 6402                       |
| 39.2                    | 260                    | 2.2            | 24.00 | S082            | TH90L6   | 18000                    | 6422                       |
| 39.1                    | 258                    | 1.1            | 36.55 | S052            | TH90S4   | 5480                     | 5480                       |
| 39.1                    | 258                    | 1.1            | 36.55 | S052            | TP90S4   | 5480                     | 5480                       |
| 39.1                    | 258                    | 2.0            | 36.57 | S062            | TH90S4   | 10000                    | 4000                       |
| 39.1                    | 258                    | 2.0            | 36.57 | S062            | TP90S4   | 10000                    | 4000                       |
| 38.8                    | 263                    | 2.2            | 24.00 | S082            | TS90L6   | 18000                    | 6443                       |
| 38.6                    | 261                    | 1.1            | 36.55 | S052            | TS80D4   | 5491                     | 5491                       |
| 38.6                    | 262                    | 1.9            | 36.57 | S062            | TS80D4   | 10000                    | 4000                       |
| 38.6                    | 247                    | Ex             | 74.18 | S083            | TP80B2   | 18000                    | 6469                       |
| 38.3                    | 263                    | 1.1            | 36.55 | S052            | TS90S4   | 5497                     | 5497                       |
| 38.3                    | 263                    | 1.9            | 36.57 | S062            | TS90S4   | 10000                    | 4000                       |
| 38.3                    | 249                    | Ex             | 74.18 | S083            | TH80B2   | 18000                    | 6483                       |
| 38.1                    | 250                    | Ex             | 74.18 | S083            | TS80B2   | 18000                    | 6490                       |
| 37.8                    | 270                    | 1.3            | 25.14 | S062            | TP100LR6 | 10000                    | 4000                       |
| 37.4                    | 272                    | 1.3            | 25.14 | S062            | TH90L6   | 10000                    | 4000                       |
| 37.0                    | 275                    | 1.3            | 25.14 | S062            | TS90L6   | 10000                    | 4000                       |
| 36.3                    | 278                    | 1.8            | 39.38 | S062            | TH90S4   | 10000                    | 4000                       |



## 5.1 S GEARED MOTORS (50Hz)

## 1.10 kW

| n <sub>2</sub><br>[rpm] | M <sub>2</sub><br>[Nm] | f <sub>s</sub> | i     | Gear<br>reducer | Motor    | Fr <sub>2</sub><br>D [N] | Fr <sub>2</sub><br>C-L [N] |
|-------------------------|------------------------|----------------|-------|-----------------|----------|--------------------------|----------------------------|
| 36.3                    | 278                    | 1.8            | 39.38 | S062            | TP90S4   | 10000                    | 4000                       |
| 35.8                    | 281                    | 1.1            | 39.90 | S052            | TH90S4   | 5548                     | 5548                       |
| 35.8                    | 281                    | 1.1            | 39.90 | S052            | TP90S4   | 5548                     | 5548                       |
| 35.8                    | 282                    | 1.8            | 39.38 | S062            | TS80D4   | 10000                    | 4000                       |
| 35.7                    | 282                    | 3.0            | 40.05 | S082            | TH90S4   | 18000                    | 6608                       |
| 35.7                    | 282                    | 3.0            | 40.05 | S082            | TP90S4   | 18000                    | 6608                       |
| 35.6                    | 284                    | 1.8            | 39.38 | S062            | TS90S4   | 10000                    | 4000                       |
| 35.3                    | 285                    | 1.0            | 39.90 | S052            | TS80D4   | 5558                     | 5558                       |
| 35.2                    | 286                    | 3.0            | 40.05 | S082            | TS80D4   | 18000                    | 6636                       |
| 35.1                    | 287                    | 1.0            | 39.90 | S052            | TS90S4   | 5563                     | 5563                       |
| 35.1                    | 271                    | Ex             | 81.43 | S063            | TP80B2   | 10000                    | 4000                       |
| 35.0                    | 289                    | 2.9            | 40.05 | S082            | TS90S4   | 18000                    | 6650                       |
| 34.9                    | 273                    | Ex             | 81.43 | S063            | TH80B2   | 10000                    | 4000                       |
| 34.8                    | 274                    | Ex             | 81.43 | S063            | TS80B2   | 10000                    | 4000                       |
| 34.8                    | 293                    | 2.2            | 27.29 | S082            | TP100LR6 | 18000                    | 6656                       |
| 34.4                    | 297                    | 1.2            | 27.66 | S062            | TP100LR6 | 10000                    | 4000                       |
| 34.4                    | 296                    | 2.2            | 27.29 | S082            | TH90L6   | 18000                    | 6677                       |
| 34.1                    | 299                    | 2.2            | 27.29 | S082            | TS90L6   | 18000                    | 6699                       |
| 34.0                    | 300                    | 1.2            | 27.66 | S062            | TH90L6   | 10000                    | 4000                       |
| 33.6                    | 303                    | 1.1            | 27.66 | S062            | TS90L6   | 10000                    | 4000                       |
| 33.2                    | 304                    | 2.8            | 43.05 | S082            | TH90S4   | 18000                    | 6754                       |
| 33.2                    | 304                    | 2.8            | 43.05 | S082            | TP90S4   | 18000                    | 6754                       |
| 33.1                    | 307                    | 2.1            | 28.67 | S082            | TP100LR6 | 18000                    | 6756                       |
| 32.8                    | 308                    | 1.7            | 43.64 | S062            | TH90S4   | 10000                    | 4000                       |
| 32.8                    | 308                    | 1.7            | 43.64 | S062            | TP90S4   | 10000                    | 4000                       |
| 32.8                    | 311                    | 2.1            | 28.67 | S082            | TH90L6   | 18000                    | 6778                       |
| 32.7                    | 308                    | 2.8            | 43.05 | S082            | TS80D4   | 18000                    | 6783                       |
| 32.5                    | 310                    | 2.7            | 43.05 | S082            | TS90S4   | 18000                    | 6797                       |
| 32.4                    | 314                    | 2.1            | 28.67 | S082            | TS90L6   | 18000                    | 6800                       |
| 32.3                    | 312                    | 1.6            | 43.64 | S062            | TS80D4   | 10000                    | 4000                       |
| 32.1                    | 314                    | 1.6            | 43.64 | S062            | TS90S4   | 10000                    | 4000                       |
| 31.7                    | 322                    | 1.1            | 30.00 | S062            | TP100LR6 | 10000                    | 4000                       |
| 31.3                    | 325                    | 1.1            | 30.00 | S062            | TH90L6   | 10000                    | 4000                       |
| 31.3                    | 305                    | Ex             | 91.49 | S083            | TP80B2   | 18000                    | 6895                       |
| 31.0                    | 325                    | 1.6            | 46.10 | S062            | TH90S4   | 10000                    | 4000                       |
| 31.0                    | 325                    | 1.6            | 46.10 | S062            | TP90S4   | 10000                    | 4000                       |
| 31.0                    | 329                    | 1.1            | 30.00 | S062            | TS90L6   | 10000                    | 4000                       |
| 31.0                    | 307                    | Ex             | 91.49 | S083            | TH80B2   | 18000                    | 6910                       |
| 30.9                    | 308                    | Ex             | 91.49 | S083            | TS80B2   | 18000                    | 6917                       |
| 30.6                    | 330                    | 1.5            | 46.10 | S062            | TS80D4   | 10000                    | 4000                       |
| 30.4                    | 332                    | 1.5            | 46.10 | S062            | TS90S4   | 10000                    | 4000                       |

## 5.1 S GEARED MOTORS (50Hz)

## 1.10 kW

| n <sub>2</sub><br>[rpm] | M <sub>2</sub><br>[Nm] | f <sub>s</sub> | i      | Gear<br>reducer | Motor    | Fr <sub>2</sub><br>D [N] | Fr <sub>2</sub><br>C-L [N] |
|-------------------------|------------------------|----------------|--------|-----------------|----------|--------------------------|----------------------------|
| 29.9                    | 341                    | 2.5            | 31.78  | S082            | TP100LR6 | 18000                    | 6968                       |
| 29.6                    | 344                    | 2.5            | 31.78  | S082            | TH90L6   | 18000                    | 6990                       |
| 29.3                    | 348                    | 2.4            | 31.78  | S082            | TS90L6   | 18000                    | 7012                       |
| 28.6                    | 333                    | Ex             | 99.89  | S063            | TP80B2   | 10000                    | 4000                       |
| 28.5                    | 354                    | 2.4            | 50.25  | S082            | TH90S4   | 18000                    | 7075                       |
| 28.5                    | 354                    | 2.4            | 50.25  | S082            | TP90S4   | 18000                    | 7075                       |
| 28.4                    | 335                    | Ex             | 99.89  | S063            | TH80B2   | 10000                    | 4000                       |
| 28.3                    | 336                    | Ex             | 99.89  | S063            | TS80B2   | 10000                    | 4000                       |
| 28.1                    | 359                    | 2.4            | 50.25  | S082            | TS80D4   | 18000                    | 7104                       |
| 27.9                    | 362                    | 2.3            | 50.25  | S082            | TS90S4   | 18000                    | 7120                       |
| 27.2                    | 374                    | 2.3            | 34.91  | S082            | TP100LR6 | 18000                    | 7166                       |
| 27.2                    | 374                    | 3.2            | 34.91  | S102            | TP100LR6 | 22000                    | 8870                       |
| 26.9                    | 378                    | 2.2            | 34.91  | S082            | TH90L6   | 18000                    | 7189                       |
| 26.9                    | 378                    | 3.2            | 34.91  | S102            | TH90L6   | 22000                    | 8900                       |
| 26.7                    | 377                    | 1.4            | 53.53  | S062            | TH90S4   | 10000                    | 4000                       |
| 26.7                    | 377                    | 1.4            | 53.53  | S062            | TP90S4   | 10000                    | 4000                       |
| 26.6                    | 382                    | 2.2            | 34.91  | S082            | TS90L6   | 18000                    | 7200                       |
| 26.6                    | 382                    | 3.1            | 34.91  | S102            | TS90L6   | 22000                    | 8929                       |
| 26.4                    | 383                    | 2.2            | 54.27  | S082            | TH90S4   | 18000                    | 7200                       |
| 26.4                    | 383                    | 2.2            | 54.27  | S082            | TP90S4   | 18000                    | 7200                       |
| 26.3                    | 383                    | 1.3            | 53.53  | S062            | TS80D4   | 10000                    | 4000                       |
| 26.2                    | 386                    | 1.3            | 53.53  | S062            | TS90S4   | 10000                    | 4000                       |
| 26.0                    | 388                    | 1.3            | 55.00  | S062            | TH90S4   | 10000                    | 4000                       |
| 26.0                    | 388                    | 1.3            | 55.00  | S062            | TP90S4   | 10000                    | 4000                       |
| 26.0                    | 392                    | 1.3            | 36.57  | S062            | TP100LR6 | 10000                    | 4000                       |
| 26.0                    | 388                    | 2.2            | 54.27  | S082            | TS80D4   | 18000                    | 7200                       |
| 25.9                    | 389                    | 2.9            | 55.14  | S102            | TH90S4   | 22000                    | 9000                       |
| 25.9                    | 389                    | 2.9            | 55.14  | S102            | TP90S4   | 22000                    | 9000                       |
| 25.8                    | 391                    | 2.2            | 54.27  | S082            | TS90S4   | 18000                    | 7200                       |
| 25.7                    | 396                    | 1.3            | 36.57  | S062            | TH90L6   | 10000                    | 4000                       |
| 25.6                    | 393                    | 1.3            | 55.00  | S062            | TS80D4   | 10000                    | 4000                       |
| 25.6                    | 394                    | 2.8            | 55.14  | S102            | TS80D4   | 22000                    | 9000                       |
| 25.5                    | 396                    | 1.3            | 55.00  | S062            | TS90S4   | 10000                    | 4000                       |
| 25.4                    | 401                    | 1.3            | 36.57  | S062            | TS90L6   | 10000                    | 4000                       |
| 25.4                    | 397                    | 2.8            | 55.14  | S102            | TS90S4   | 22000                    | 9000                       |
| 24.8                    | 411                    | 3.1            | 38.30  | S102            | TP100LR6 | 22000                    | 9000                       |
| 24.5                    | 415                    | 3.1            | 38.30  | S102            | TH90L6   | 22000                    | 9000                       |
| 24.4                    | 390                    | Ex             | 117.17 | S083            | TP80B2   | 18000                    | 7200                       |
| 24.3                    | 420                    | 3.1            | 38.30  | S102            | TS90L6   | 22000                    | 9000                       |
| 24.2                    | 393                    | Ex             | 117.17 | S083            | TH80B2   | 18000                    | 7200                       |
| 24.2                    | 395                    | Ex             | 117.17 | S083            | TS80B2   | 18000                    | 7200                       |

## 5.1 S GEARED MOTORS (50Hz)

## 1.10 kW

| n2<br>[rpm] | M2<br>[Nm] | fs  | i      | Gear<br>reducer | Motor    | Fr2<br>D [N] | Fr2<br>C-L [N] |
|-------------|------------|-----|--------|-----------------|----------|--------------|----------------|
| 24.1        | 422        | 1.2 | 39.38  | S062            | TP100LR6 | 10000        | 4000           |
| 24.1        | 419        | 3.3 | 59.40  | S102            | TH90S4   | 22000        | 9000           |
| 24.1        | 419        | 3.3 | 59.40  | S102            | TP90S4   | 22000        | 9000           |
| 23.9        | 427        | 1.2 | 39.38  | S062            | TH90L6   | 10000        | 4000           |
| 23.7        | 429        | 2.0 | 40.05  | S082            | TP100LR6 | 18000        | 7200           |
| 23.7        | 425        | 3.2 | 59.40  | S102            | TS80D4   | 22000        | 9000           |
| 23.6        | 431        | 1.2 | 39.38  | S062            | TS90L6   | 10000        | 4000           |
| 23.6        | 428        | 3.2 | 59.40  | S102            | TS90S4   | 22000        | 9000           |
| 23.5        | 434        | 2.0 | 40.05  | S082            | TH90L6   | 18000        | 7200           |
| 23.2        | 439        | 1.9 | 40.05  | S082            | TS90L6   | 18000        | 7200           |
| 23.1        | 437        | 1.9 | 61.98  | S082            | TH90S4   | 18000        | 7200           |
| 23.1        | 437        | 1.9 | 61.98  | S082            | TP90S4   | 18000        | 7200           |
| 22.8        | 443        | 1.9 | 61.98  | S082            | TS80D4   | 18000        | 7200           |
| 22.6        | 446        | 1.9 | 61.98  | S082            | TS90S4   | 18000        | 7200           |
| 22.2        | 429        | Ex  | 128.73 | S083            | TP80B2   | 18000        | 7200           |
| 22.1        | 462        | 1.8 | 43.05  | S082            | TP100LR6 | 18000        | 7200           |
| 22.1        | 432        | Ex  | 128.73 | S083            | TH80B2   | 18000        | 7200           |
| 22.0        | 433        | Ex  | 128.73 | S083            | TS80B2   | 18000        | 7200           |
| 21.8        | 468        | 1.1 | 43.64  | S062            | TP100LR6 | 10000        | 4000           |
| 21.8        | 467        | 1.8 | 43.05  | S082            | TH90L6   | 18000        | 7200           |
| 21.6        | 472        | 1.8 | 43.05  | S082            | TS90L6   | 18000        | 7200           |
| 21.6        | 472        | 2.4 | 44.00  | S102            | TP100LR6 | 22000        | 9000           |
| 21.5        | 473        | 1.1 | 43.64  | S062            | TH90L6   | 10000        | 4000           |
| 21.4        | 477        | 2.3 | 44.00  | S102            | TH90L6   | 22000        | 9000           |
| 21.3        | 478        | 1.1 | 43.64  | S062            | TS90L6   | 10000        | 4000           |
| 21.2        | 476        | 1.1 | 67.47  | S062            | TH90S4   | 10000        | 4000           |
| 21.2        | 476        | 1.1 | 67.47  | S062            | TP90S4   | 10000        | 4000           |
| 21.2        | 466        | 1.8 | 67.52  | S083            | TH90S4   | 18000        | 7200           |
| 21.2        | 466        | 1.8 | 67.52  | S083            | TP90S4   | 18000        | 7200           |
| 21.1        | 478        | 2.9 | 67.84  | S102            | TH90S4   | 22000        | 9000           |
| 21.1        | 478        | 2.9 | 67.84  | S102            | TP90S4   | 22000        | 9000           |
| 21.1        | 482        | 2.3 | 44.00  | S102            | TS90L6   | 22000        | 9000           |
| 20.9        | 483        | 1.1 | 67.47  | S062            | TS80D4   | 10000        | 4000           |
| 20.9        | 473        | 1.8 | 67.52  | S083            | TS80D4   | 18000        | 7200           |
| 20.8        | 486        | 1.0 | 67.47  | S062            | TS90S4   | 10000        | 4000           |
| 20.8        | 485        | 2.8 | 67.84  | S102            | TS80D4   | 22000        | 9000           |
| 20.7        | 476        | 1.8 | 67.52  | S083            | TS90S4   | 18000        | 7200           |
| 20.6        | 489        | 2.8 | 67.84  | S102            | TS90S4   | 22000        | 9000           |
| 20.4        | 499        | 1.0 | 46.10  | S062            | TH90L6   | 10000        | 4000           |
| 20.2        | 505        | 1.0 | 46.10  | S062            | TS90L6   | 10000        | 4000           |
| 20.2        | 505        | 2.7 | 47.13  | S102            | TP100LR6 | 22000        | 9000           |

## 5.1 S GEARED MOTORS (50Hz)

## 1.10 kW

| n2<br>[rpm] | M2<br>[Nm] | fs  | i      | Gear<br>reducer | Motor    | Fr2<br>D [N] | Fr2<br>C-L [N] |
|-------------|------------|-----|--------|-----------------|----------|--------------|----------------|
| 19.9        | 511        | 2.7 | 47.13  | S102            | TH90L6   | 22000        | 9000           |
| 19.7        | 516        | 2.6 | 47.13  | S102            | TS90L6   | 22000        | 9000           |
| 19.3        | 512        | 1.7 | 74.18  | S083            | TH90S4   | 18000        | 7200           |
| 19.3        | 512        | 1.7 | 74.18  | S083            | TP90S4   | 18000        | 7200           |
| 19.3        | 512        | 2.7 | 74.18  | S103            | TH90S4   | 22000        | 9000           |
| 19.3        | 512        | 2.7 | 74.18  | S103            | TP90S4   | 22000        | 9000           |
| 19.0        | 520        | 1.6 | 74.18  | S083            | TS80D4   | 18000        | 7200           |
| 19.0        | 520        | 2.6 | 74.18  | S103            | TS80D4   | 22000        | 9000           |
| 18.9        | 539        | 1.6 | 50.25  | S082            | TP100LR6 | 18000        | 7200           |
| 18.9        | 523        | 1.6 | 74.18  | S083            | TS90S4   | 18000        | 7200           |
| 18.9        | 523        | 2.6 | 74.18  | S103            | TS90S4   | 22000        | 9000           |
| 18.7        | 544        | 1.6 | 50.25  | S082            | TH90L6   | 18000        | 7200           |
| 18.5        | 550        | 1.5 | 50.25  | S082            | TS90L6   | 18000        | 7200           |
| 18.0        | 529        | Ex  | 158.76 | S083            | TP80B2   | 18000        | 7200           |
| 17.9        | 533        | Ex  | 158.76 | S083            | TH80B2   | 18000        | 7200           |
| 17.8        | 535        | Ex  | 158.76 | S083            | TS80B2   | 18000        | 7200           |
| 17.6        | 562        | 2.4 | 81.39  | S103            | TH90S4   | 22000        | 9000           |
| 17.6        | 562        | 2.4 | 81.39  | S103            | TP90S4   | 22000        | 9000           |
| 17.5        | 582        | 1.5 | 54.27  | S082            | TP100LR6 | 18000        | 7200           |
| 17.3        | 588        | 1.4 | 54.27  | S082            | TH90L6   | 18000        | 7200           |
| 17.3        | 570        | 2.4 | 81.39  | S103            | TS80D4   | 22000        | 9000           |
| 17.2        | 591        | 1.9 | 55.14  | S102            | TP100LR6 | 22000        | 9000           |
| 17.2        | 574        | 2.4 | 81.39  | S103            | TS90S4   | 22000        | 9000           |
| 17.1        | 594        | 1.4 | 54.27  | S082            | TS90L6   | 18000        | 7200           |
| 17.0        | 597        | 1.9 | 55.14  | S102            | TH90L6   | 22000        | 9000           |
| 16.9        | 604        | 1.8 | 55.14  | S102            | TS90L6   | 22000        | 9000           |
| 16.0        | 637        | 2.1 | 59.40  | S102            | TP100LR6 | 22000        | 9000           |
| 15.8        | 644        | 2.1 | 59.40  | S102            | TH90L6   | 22000        | 9000           |
| 15.7        | 651        | 2.1 | 59.40  | S102            | TS90L6   | 22000        | 9000           |
| 15.6        | 632        | 1.3 | 91.49  | S083            | TH90S4   | 18000        | 7200           |
| 15.6        | 632        | 1.3 | 91.49  | S083            | TP90S4   | 18000        | 7200           |
| 15.5        | 616        | Ex  | 184.88 | S083            | TP80B2   | 18000        | 7200           |
| 15.4        | 620        | Ex  | 184.88 | S083            | TH80B2   | 18000        | 7200           |
| 15.4        | 641        | 1.3 | 91.49  | S083            | TS80D4   | 18000        | 7200           |
| 15.3        | 664        | 1.3 | 61.98  | S082            | TP100LR6 | 18000        | 7200           |
| 15.3        | 623        | Ex  | 184.88 | S083            | TS80B2   | 18000        | 7200           |
| 15.3        | 645        | 1.3 | 91.49  | S083            | TS90S4   | 18000        | 7200           |
| 15.2        | 672        | 1.3 | 61.98  | S082            | TH90L6   | 18000        | 7200           |
| 15.0        | 679        | 1.3 | 61.98  | S082            | TS90L6   | 18000        | 7200           |
| 14.3        | 692        | 2.0 | 100.15 | S103            | TH90S4   | 22000        | 9000           |
| 14.3        | 692        | 2.0 | 100.15 | S103            | TP90S4   | 22000        | 9000           |

## 5.1 S GEARED MOTORS (50Hz)

## 1.10 kW

| n <sub>2</sub><br>[rpm] | M <sub>2</sub><br>[Nm] | f <sub>s</sub> | i      | Gear<br>reducer | Motor    | Fr <sub>2</sub><br>D [N] | Fr <sub>2</sub><br>C-L [N] |
|-------------------------|------------------------|----------------|--------|-----------------|----------|--------------------------|----------------------------|
| 14.1                    | 709                    | 1.2            | 67.52  | S083            | TP100LR6 | 18000                    | 7200                       |
| 14.1                    | 701                    | 1.9            | 100.15 | S103            | TS80D4   | 22000                    | 9000                       |
| 14.0                    | 727                    | 1.9            | 67.84  | S102            | TP100LR6 | 22000                    | 9000                       |
| 14.0                    | 706                    | 1.9            | 100.15 | S103            | TS90S4   | 22000                    | 9000                       |
| 13.9                    | 716                    | 1.2            | 67.52  | S083            | TH90L6   | 18000                    | 7200                       |
| 13.9                    | 735                    | 1.9            | 67.84  | S102            | TH90L6   | 22000                    | 9000                       |
| 13.8                    | 724                    | 1.2            | 67.52  | S083            | TS90L6   | 18000                    | 7200                       |
| 13.7                    | 743                    | 1.8            | 67.84  | S102            | TS90L6   | 22000                    | 9000                       |
| 13.4                    | 746                    | 3.1            | 71.07  | S123            | TP100LR6 | 30000                    | 11200                      |
| 12.9                    | 763                    | 1.8            | 110.55 | S103            | TH90S4   | 22000                    | 9000                       |
| 12.9                    | 763                    | 1.8            | 110.55 | S103            | TP90S4   | 22000                    | 9000                       |
| 12.8                    | 779                    | 1.1            | 74.18  | S083            | TP100LR6 | 18000                    | 7200                       |
| 12.8                    | 779                    | 1.8            | 74.18  | S103            | TP100LR6 | 22000                    | 9000                       |
| 12.8                    | 774                    | 1.8            | 110.55 | S103            | TS80D4   | 22000                    | 9000                       |
| 12.7                    | 787                    | 1.1            | 74.18  | S083            | TH90L6   | 18000                    | 7200                       |
| 12.7                    | 787                    | 1.7            | 74.18  | S103            | TH90L6   | 22000                    | 9000                       |
| 12.7                    | 780                    | 1.8            | 110.55 | S103            | TS90S4   | 22000                    | 9000                       |
| 12.7                    | 777                    | 3.3            | 112.52 | S123            | TH90S4   | 30000                    | 11200                      |
| 12.7                    | 777                    | 3.3            | 112.52 | S123            | TP90S4   | 30000                    | 11200                      |
| 12.5                    | 796                    | 1.1            | 74.18  | S083            | TS90L6   | 18000                    | 7200                       |
| 12.5                    | 796                    | 1.7            | 74.18  | S103            | TS90L6   | 22000                    | 9000                       |
| 12.5                    | 788                    | 3.2            | 112.52 | S123            | TS80D4   | 30000                    | 11200                      |
| 12.4                    | 794                    | 3.2            | 112.52 | S123            | TS90S4   | 30000                    | 11200                      |
| 12.2                    | 809                    | 1.1            | 117.17 | S083            | TH90S4   | 18000                    | 7200                       |
| 12.2                    | 809                    | 1.1            | 117.17 | S083            | TP90S4   | 18000                    | 7200                       |
| 12.0                    | 821                    | 1.0            | 117.17 | S083            | TS80D4   | 18000                    | 7200                       |
| 11.9                    | 826                    | 1.0            | 117.17 | S083            | TS90S4   | 18000                    | 7200                       |
| 11.7                    | 855                    | 1.6            | 81.39  | S103            | TP100LR6 | 22000                    | 9000                       |
| 11.6                    | 852                    | 3.0            | 123.33 | S123            | TH90S4   | 30000                    | 11200                      |
| 11.6                    | 852                    | 3.0            | 123.33 | S123            | TP90S4   | 30000                    | 11200                      |
| 11.5                    | 864                    | 1.6            | 81.39  | S103            | TH90L6   | 22000                    | 9000                       |
| 11.4                    | 873                    | 1.6            | 81.39  | S103            | TS90L6   | 22000                    | 9000                       |
| 11.4                    | 864                    | 3.0            | 123.33 | S123            | TS80D4   | 30000                    | 11200                      |
| 11.4                    | 870                    | 2.9            | 123.33 | S123            | TS90S4   | 30000                    | 11200                      |
| 11.1                    | 889                    | 1.5            | 128.73 | S103            | TH90S4   | 22000                    | 9000                       |
| 11.1                    | 889                    | 1.5            | 128.73 | S103            | TP90S4   | 22000                    | 9000                       |
| 11.0                    | 902                    | 1.5            | 128.73 | S103            | TS80D4   | 22000                    | 9000                       |
| 10.9                    | 908                    | 1.5            | 128.73 | S103            | TS90S4   | 22000                    | 9000                       |
| 10.9                    | 916                    | 2.8            | 87.27  | S123            | TP100LR6 | 30000                    | 11200                      |
| 10.7                    | 924                    | 2.8            | 133.78 | S123            | TH90S4   | 30000                    | 11200                      |
| 10.7                    | 924                    | 2.8            | 133.78 | S123            | TP90S4   | 30000                    | 11200                      |

## 5.1 S GEARED MOTORS (50Hz)

## 1.10 kW

| n2<br>[rpm] | M2<br>[Nm] | fs  | i      | Gear<br>reducer | Motor    | Fr2<br>D [N] | Fr2<br>C-L [N] |
|-------------|------------|-----|--------|-----------------|----------|--------------|----------------|
| 10.5        | 937        | 2.7 | 133.78 | S123            | TS80D4   | 30000        | 11200          |
| 10.5        | 944        | 2.7 | 133.78 | S123            | TS90S4   | 30000        | 11200          |
| 10.1        | 975        | 1.4 | 141.24 | S103            | TH90S4   | 22000        | 9000           |
| 10.1        | 975        | 1.4 | 141.24 | S103            | TP90S4   | 22000        | 9000           |
| 10.0        | 989        | 1.4 | 141.24 | S103            | TS80D4   | 22000        | 9000           |
| 9.9         | 996        | 1.4 | 141.24 | S103            | TS90S4   | 22000        | 9000           |
| 9.5         | 1051       | 1.3 | 100.15 | S103            | TP100LR6 | 22000        | 9000           |
| 9.4         | 1063       | 1.3 | 100.15 | S103            | TH90L6   | 22000        | 9000           |
| 9.4         | 1046       | 2.4 | 151.43 | S123            | TH90S4   | 30000        | 11200          |
| 9.4         | 1046       | 2.4 | 151.43 | S123            | TP90S4   | 30000        | 11200          |
| 9.3         | 1074       | 1.3 | 100.15 | S103            | TS90L6   | 22000        | 9000           |
| 9.3         | 1061       | 2.4 | 151.43 | S123            | TS80D4   | 30000        | 11200          |
| 9.2         | 1068       | 2.4 | 151.43 | S123            | TS90S4   | 30000        | 11200          |
| 8.6         | 1161       | 1.2 | 110.55 | S103            | TP100LR6 | 22000        | 9000           |
| 8.5         | 1173       | 1.2 | 110.55 | S103            | TH90L6   | 22000        | 9000           |
| 8.4         | 1186       | 1.2 | 110.55 | S103            | TS90L6   | 22000        | 9000           |
| 8.4         | 1194       | 2.1 | 112.52 | S123            | TH90L6   | 30000        | 11200          |
| 8.4         | 1181       | 2.2 | 112.52 | S123            | TP100LR6 | 30000        | 11200          |
| 8.3         | 1207       | 2.1 | 112.52 | S123            | TS90L6   | 30000        | 11200          |
| 8.2         | 1200       | 1.1 | 173.78 | S103            | TH90S4   | 22000        | 9000           |
| 8.2         | 1200       | 1.1 | 173.78 | S103            | TP90S4   | 22000        | 9000           |
| 8.1         | 1217       | 1.1 | 173.78 | S103            | TS80D4   | 22000        | 9000           |
| 8.1         | 1226       | 1.1 | 173.78 | S103            | TS90S4   | 22000        | 9000           |
| 8.1         | 1226       | 2.1 | 177.53 | S123            | TH90S4   | 30000        | 11200          |
| 8.1         | 1226       | 2.1 | 177.53 | S123            | TP90S4   | 30000        | 11200          |
| 7.9         | 1243       | 2.1 | 177.53 | S123            | TS80D4   | 30000        | 11200          |
| 7.9         | 1252       | 2.0 | 177.53 | S123            | TS90S4   | 30000        | 11200          |
| 7.7         | 1295       | 2.0 | 123.33 | S123            | TP100LR6 | 30000        | 11200          |
| 7.6         | 1308       | 2.0 | 123.33 | S123            | TH90L6   | 30000        | 11200          |
| 7.5         | 1323       | 1.9 | 123.33 | S123            | TS90L6   | 30000        | 11200          |
| 7.4         | 1351       | 1.0 | 128.73 | S103            | TP100LR6 | 22000        | 9000           |
| 7.3         | 1344       | 1.9 | 194.59 | S123            | TH90S4   | 30000        | 11200          |
| 7.3         | 1344       | 1.9 | 194.59 | S123            | TP90S4   | 30000        | 11200          |
| 7.2         | 1363       | 1.9 | 194.59 | S123            | TS80D4   | 30000        | 11200          |
| 7.2         | 1372       | 1.9 | 194.59 | S123            | TS90S4   | 30000        | 11200          |
| 7.1         | 1404       | 1.8 | 133.78 | S123            | TP100LR6 | 30000        | 11200          |
| 7.0         | 1419       | 1.8 | 133.78 | S123            | TH90L6   | 30000        | 11200          |
| 7.0         | 1435       | 1.8 | 133.78 | S123            | TS90L6   | 30000        | 11200          |
| 6.3         | 1590       | 1.6 | 151.43 | S123            | TP100LR6 | 30000        | 11200          |
| 6.2         | 1607       | 1.6 | 151.43 | S123            | TH90L6   | 30000        | 11200          |
| 6.1         | 1624       | 1.6 | 151.43 | S123            | TS90L6   | 30000        | 11200          |

## 5.1 S GEARED MOTORS (50Hz)

## 1.10 kW

| n <sub>2</sub><br>[rpm] | M <sub>2</sub><br>[Nm] | f <sub>s</sub> | i      | Gear<br>reducer | Motor    | Fr <sub>2</sub><br>D [N] | Fr <sub>2</sub><br>C-L [N] |
|-------------------------|------------------------|----------------|--------|-----------------|----------|--------------------------|----------------------------|
| 6.0                     | 1650                   | 1.6            | 238.93 | S123            | TH90S4   | 30000                    | 11200                      |
| 6.0                     | 1650                   | 1.6            | 238.93 | S123            | TP90S4   | 30000                    | 11200                      |
| 5.9                     | 1673                   | 1.5            | 238.93 | S123            | TS80D4   | 30000                    | 11200                      |
| 5.9                     | 1685                   | 1.5            | 238.93 | S123            | TS90S4   | 30000                    | 11200                      |
| 5.4                     | 1864                   | 1.4            | 177.53 | S123            | TP100LR6 | 30000                    | 11200                      |
| 5.3                     | 1884                   | 1.4            | 177.53 | S123            | TH90L6   | 30000                    | 11200                      |
| 5.2                     | 1904                   | 1.3            | 177.53 | S123            | TS90L6   | 30000                    | 11200                      |
| 5.1                     | 1934                   | 1.3            | 280.10 | S123            | TH90S4   | 30000                    | 11200                      |
| 5.1                     | 1934                   | 1.3            | 280.10 | S123            | TP90S4   | 30000                    | 11200                      |
| 5.0                     | 1962                   | 1.3            | 280.10 | S123            | TS80D4   | 30000                    | 11200                      |
| 5.0                     | 1976                   | 1.3            | 280.10 | S123            | TS90S4   | 30000                    | 11200                      |
| 4.9                     | 2043                   | 1.3            | 194.59 | S123            | TP100LR6 | 30000                    | 11200                      |
| 4.8                     | 2065                   | 1.2            | 194.59 | S123            | TH90L6   | 30000                    | 11200                      |
| 4.8                     | 2087                   | 1.2            | 194.59 | S123            | TS90L6   | 30000                    | 11200                      |
| 4.7                     | 2109                   | 1.2            | 301.16 | S123            | TS80D4   | 30000                    | 11200                      |
| 4.7                     | 2080                   | 1.2            | 301.16 | S123            | TH90S4   | 30000                    | 11200                      |
| 4.7                     | 2080                   | 1.2            | 301.16 | S123            | TP90S4   | 30000                    | 11200                      |
| 4.6                     | 2124                   | 1.2            | 301.16 | S123            | TS90S4   | 30000                    | 11200                      |
| 4.2                     | 2375                   | 1.1            | 343.93 | S123            | TH90S4   | 30000                    | 11200                      |
| 4.2                     | 2375                   | 1.1            | 343.93 | S123            | TP90S4   | 30000                    | 11200                      |
| 4.1                     | 2426                   | 1.1            | 343.93 | S123            | TS90S4   | 30000                    | 11200                      |
| 4.1                     | 2409                   | 1.1            | 343.93 | S123            | TS80D4   | 30000                    | 11200                      |
| 4.0                     | 2508                   | 1.0            | 238.93 | S123            | TP100LR6 | 30000                    | 11200                      |
| 3.9                     | 2535                   | 1.0            | 238.93 | S123            | TH90L6   | 30000                    | 11200                      |
| 3.9                     | 2562                   | 1.0            | 238.93 | S123            | TS90L6   | 30000                    | 11200                      |

## 1.50 kW

| n <sub>2</sub><br>[rpm] | M <sub>2</sub><br>[Nm] | f <sub>s</sub> | i     | Gear<br>reducer | Motor  | Fr <sub>2</sub><br>D [N] | Fr <sub>2</sub><br>C-L [N] |
|-------------------------|------------------------|----------------|-------|-----------------|--------|--------------------------|----------------------------|
| 332.8                   | 40                     | Ex             | 8.63  | S052            | TH90S2 | 3211                     | 3211                       |
| 331.6                   | 40                     | Ex             | 8.63  | S052            | TP90S2 | 3214                     | 3214                       |
| 329.3                   | 40                     | Ex             | 8.63  | S052            | TS90S2 | 3221                     | 3221                       |
| 325.8                   | 41                     | Ex             | 8.63  | S052            | TS80C2 | 3230                     | 3230                       |
| 257.6                   | 52                     | Ex             | 11.14 | S052            | TH90S2 | 3447                     | 3447                       |
| 256.7                   | 52                     | Ex             | 11.14 | S052            | TP90S2 | 3450                     | 3450                       |
| 254.9                   | 52                     | Ex             | 11.14 | S052            | TS90S2 | 3457                     | 3457                       |
| 252.2                   | 53                     | Ex             | 11.14 | S052            | TS80C2 | 3467                     | 3467                       |
| 210.2                   | 63                     | Ex             | 13.66 | S052            | TH90S2 | 3640                     | 3640                       |
| 209.4                   | 63                     | Ex             | 13.66 | S052            | TP90S2 | 3643                     | 3643                       |
| 208.0                   | 64                     | Ex             | 13.66 | S052            | TS90S2 | 3650                     | 3650                       |
| 205.8                   | 64                     | Ex             | 13.66 | S052            | TS80C2 | 3660                     | 3660                       |

## 5.1 S GEARED MOTORS (50Hz)

## 1.50 kW

| n2<br>[rpm] | M2<br>[Nm] | fs  | i     | Gear<br>reducer | Motor   | Fr2<br>D [N] | Fr2<br>C-L [N] |
|-------------|------------|-----|-------|-----------------|---------|--------------|----------------|
| 187.9       | 71         | Ex  | 15.27 | S052            | TH90S2  | 3747         | 3747           |
| 187.3       | 71         | Ex  | 15.27 | S052            | TP90S2  | 3750         | 3750           |
| 186.0       | 71         | Ex  | 15.27 | S052            | TS90S2  | 3757         | 3757           |
| 184.0       | 72         | Ex  | 15.27 | S052            | TS80C2  | 3767         | 3767           |
| 176.2       | 75         | Ex  | 16.29 | S052            | TH90S2  | 3809         | 3809           |
| 175.6       | 76         | Ex  | 16.29 | S052            | TP90S2  | 3812         | 3812           |
| 174.4       | 76         | Ex  | 16.29 | S052            | TS90S2  | 3819         | 3819           |
| 172.5       | 77         | Ex  | 16.29 | S052            | TS80C2  | 3829         | 3829           |
| 165.8       | 83         | 1.5 | 8.63  | S052            | TP90L4  | 3851         | 3851           |
| 164.6       | 84         | 1.5 | 8.63  | S052            | TH90L4  | 3857         | 3857           |
| 162.3       | 85         | 1.5 | 8.63  | S052            | TS90LA4 | 3871         | 3871           |
| 154.0       | 86         | Ex  | 18.63 | S052            | TH90S2  | 3938         | 3938           |
| 153.5       | 86         | Ex  | 18.63 | S052            | TP90S2  | 3942         | 3942           |
| 152.4       | 87         | Ex  | 18.63 | S052            | TS90S2  | 3949         | 3949           |
| 150.8       | 88         | Ex  | 18.63 | S052            | TS80C2  | 3959         | 3959           |
| 149.8       | 92         | 2.8 | 9.55  | S062            | TP90L4  | 7120         | 2848           |
| 148.8       | 92         | 2.8 | 9.55  | S062            | TH90L4  | 7134         | 2854           |
| 146.8       | 90         | Ex  | 19.55 | S062            | TH90S2  | 7181         | 2872           |
| 146.7       | 94         | 2.8 | 9.55  | S062            | TS90LA4 | 7162         | 2865           |
| 146.3       | 91         | Ex  | 19.55 | S062            | TP90S2  | 7188         | 2875           |
| 145.3       | 91         | Ex  | 19.55 | S062            | TS90S2  | 7202         | 2881           |
| 143.7       | 92         | Ex  | 19.55 | S062            | TS80C2  | 7223         | 2889           |
| 136.4       | 97         | Ex  | 21.04 | S052            | TH90S2  | 4055         | 4055           |
| 136.0       | 98         | Ex  | 21.04 | S052            | TP90S2  | 4059         | 4059           |
| 135.0       | 98         | Ex  | 21.04 | S052            | TS90S2  | 4065         | 4065           |
| 133.6       | 99         | Ex  | 21.04 | S052            | TS80C2  | 4076         | 4076           |
| 128.4       | 107        | 1.3 | 11.14 | S052            | TP90L4  | 4092         | 4092           |
| 127.5       | 108        | 1.3 | 11.14 | S052            | TH90L4  | 4099         | 4099           |
| 125.7       | 109        | 1.3 | 11.14 | S052            | TS90LA4 | 4112         | 4112           |
| 123.8       | 107        | Ex  | 23.18 | S062            | TH90S2  | 7523         | 3009           |
| 123.4       | 108        | Ex  | 23.18 | S062            | TP90S2  | 7530         | 3012           |
| 122.5       | 108        | Ex  | 23.18 | S062            | TS90S2  | 7544         | 3018           |
| 122.1       | 113        | 2.5 | 11.71 | S062            | TP90L4  | 7526         | 3010           |
| 121.3       | 113        | 2.5 | 11.71 | S062            | TH90L4  | 7540         | 3016           |
| 121.2       | 109        | Ex  | 23.18 | S062            | TS80C2  | 7566         | 3026           |
| 119.6       | 115        | 2.5 | 11.71 | S062            | TS90LA4 | 7568         | 3027           |
| 119.3       | 111        | Ex  | 24.07 | S052            | TH90S2  | 4184         | 4184           |
| 118.8       | 112        | Ex  | 24.07 | S052            | TP90S2  | 4187         | 4187           |
| 118.0       | 112        | Ex  | 24.07 | S052            | TS90S2  | 4194         | 4194           |
| 117.5       | 118        | 2.0 | 8.00  | S062            | TH100L6 | 7596         | 3038           |
| 117.5       | 118        | 2.0 | 8.00  | S062            | TP100L6 | 7596         | 3038           |



## 5.1 S GEARED MOTORS (50Hz)

## 1.50 kW

| n2<br>[rpm] | M2<br>[Nm] | fs  | i     | Gear<br>reducer | Motor    | Fr2<br>D [N] | Fr2<br>C-L [N] |
|-------------|------------|-----|-------|-----------------|----------|--------------|----------------|
| 116.8       | 114        | Ex  | 24.07 | S052            | TS80C2   | 4204         | 4204           |
| 116.3       | 119        | 2.0 | 8.00  | S062            | TS100LA6 | 7617         | 3047           |
| 114.1       | 116        | Ex  | 25.14 | S062            | TH90S2   | 7688         | 3075           |
| 113.8       | 117        | Ex  | 25.14 | S062            | TP90S2   | 7695         | 3078           |
| 113.0       | 117        | Ex  | 25.14 | S062            | TS90S2   | 7710         | 3084           |
| 111.8       | 119        | Ex  | 25.14 | S062            | TS80C2   | 7732         | 3093           |
| 111.3       | 119        | Ex  | 25.79 | S052            | TH90S2   | 4249         | 4249           |
| 110.9       | 120        | Ex  | 25.79 | S052            | TP90S2   | 4252         | 4252           |
| 110.1       | 120        | Ex  | 25.79 | S052            | TS90S2   | 4259         | 4259           |
| 109.0       | 122        | Ex  | 25.79 | S052            | TS80C2   | 4269         | 4269           |
| 107.1       | 128        | 2.4 | 13.36 | S062            | TP90L4   | 7791         | 3116           |
| 106.3       | 129        | 2.3 | 13.36 | S062            | TH90L4   | 7805         | 3122           |
| 104.8       | 131        | 2.3 | 13.36 | S062            | TS90LA4  | 7834         | 3134           |
| 104.7       | 131        | 1.2 | 13.66 | S052            | TP90L4   | 4279         | 4279           |
| 104.0       | 132        | 1.1 | 13.66 | S052            | TH90L4   | 4285         | 4285           |
| 103.8       | 128        | Ex  | 27.66 | S062            | TH90S2   | 7884         | 3154           |
| 103.4       | 128        | Ex  | 27.66 | S062            | TP90S2   | 7891         | 3156           |
| 103.2       | 129        | Ex  | 27.81 | S052            | TH90S2   | 4319         | 4319           |
| 102.8       | 129        | Ex  | 27.81 | S052            | TP90S2   | 4322         | 4322           |
| 102.7       | 129        | Ex  | 27.66 | S062            | TS90S2   | 7905         | 3162           |
| 102.5       | 134        | 1.1 | 13.66 | S052            | TS90LA4  | 4298         | 4298           |
| 102.1       | 130        | Ex  | 27.81 | S052            | TS90S2   | 4329         | 4329           |
| 101.6       | 131        | Ex  | 27.66 | S062            | TS80C2   | 7927         | 3171           |
| 101.0       | 131        | Ex  | 27.81 | S052            | TS80C2   | 4339         | 4339           |
| 98.5        | 141        | 1.8 | 9.55  | S062            | TH100L6  | 7952         | 3181           |
| 98.5        | 141        | 1.8 | 9.55  | S062            | TP100L6  | 7952         | 3181           |
| 97.4        | 143        | 1.8 | 9.55  | S062            | TS100LA6 | 7974         | 3189           |
| 95.7        | 139        | Ex  | 30.00 | S052            | TH90S2   | 4389         | 4389           |
| 95.7        | 139        | Ex  | 30.00 | S062            | TH90S2   | 8052         | 3221           |
| 95.3        | 139        | Ex  | 30.00 | S052            | TP90S2   | 4392         | 4392           |
| 95.3        | 139        | Ex  | 30.00 | S062            | TP90S2   | 8059         | 3224           |
| 94.7        | 140        | Ex  | 30.00 | S052            | TS90S2   | 4398         | 4398           |
| 94.7        | 140        | Ex  | 30.00 | S062            | TS90S2   | 8073         | 3229           |
| 93.7        | 142        | Ex  | 30.00 | S052            | TS80C2   | 4408         | 4408           |
| 93.7        | 142        | Ex  | 30.00 | S062            | TS80C2   | 8095         | 3238           |
| 93.6        | 147        | 1.2 | 15.27 | S052            | TP90L4   | 4378         | 4378           |
| 93.0        | 148        | 1.2 | 15.27 | S052            | TH90L4   | 4384         | 4384           |
| 91.7        | 150        | 1.2 | 15.27 | S052            | TS90LA4  | 4397         | 4397           |
| 89.7        | 153        | 2.1 | 15.94 | S062            | TP90L4   | 8150         | 3260           |
| 89.1        | 154        | 2.1 | 15.94 | S062            | TH90L4   | 8165         | 3266           |
| 88.2        | 151        | Ex  | 32.55 | S052            | TH90S2   | 4462         | 4462           |

## 5.1 S GEARED MOTORS (50Hz)

## 1.50 kW

| n2<br>[rpm] | M2<br>[Nm] | fs  | i     | Gear<br>reducer | Motor    | Fr2<br>D [N] | Fr2<br>C-L [N] |
|-------------|------------|-----|-------|-----------------|----------|--------------|----------------|
| 87.9        | 151        | Ex  | 32.55 | S052            | TP90S2   | 4465         | 4465           |
| 87.8        | 157        | 1.1 | 16.29 | S052            | TP90L4   | 4434         | 4434           |
| 87.8        | 157        | 2.1 | 15.94 | S062            | TS90LA4  | 8194         | 3277           |
| 87.3        | 152        | Ex  | 32.55 | S052            | TS90S2   | 4471         | 4471           |
| 87.2        | 158        | 1.1 | 16.29 | S052            | TH90L4   | 4440         | 4440           |
| 86.3        | 154        | Ex  | 32.55 | S052            | TS80C2   | 4481         | 4481           |
| 86.0        | 160        | 1.1 | 16.29 | S052            | TS90LA4  | 4452         | 4452           |
| 80.3        | 173        | 1.6 | 11.71 | S062            | TH100L6  | 8366         | 3347           |
| 80.3        | 173        | 1.6 | 11.71 | S062            | TP100L6  | 8366         | 3347           |
| 79.4        | 175        | 1.6 | 11.71 | S062            | TS100LA6 | 8388         | 3355           |
| 78.5        | 169        | Ex  | 36.55 | S052            | TH90S2   | 4563         | 4563           |
| 78.5        | 169        | Ex  | 36.57 | S062            | TH90S2   | 8462         | 3385           |
| 78.3        | 170        | Ex  | 36.55 | S052            | TP90S2   | 4565         | 4565           |
| 78.2        | 170        | Ex  | 36.57 | S062            | TP90S2   | 8470         | 3388           |
| 77.7        | 171        | Ex  | 36.55 | S052            | TS90S2   | 4571         | 4571           |
| 77.7        | 171        | Ex  | 36.57 | S062            | TS90S2   | 8484         | 3394           |
| 76.9        | 173        | Ex  | 36.55 | S052            | TS80C2   | 4580         | 4580           |
| 76.8        | 173        | Ex  | 36.57 | S062            | TS80C2   | 8506         | 3402           |
| 73.1        | 188        | 1.8 | 19.55 | S062            | TP90L4   | 8566         | 3427           |
| 72.9        | 182        | Ex  | 39.38 | S062            | TH90S2   | 8615         | 3446           |
| 72.6        | 189        | 1.8 | 19.55 | S062            | TH90L4   | 8581         | 3432           |
| 72.6        | 183        | Ex  | 39.38 | S062            | TP90S2   | 8623         | 3449           |
| 72.1        | 184        | Ex  | 39.38 | S062            | TS90S2   | 8637         | 3455           |
| 71.9        | 184        | Ex  | 39.90 | S052            | TH90S2   | 4635         | 4635           |
| 71.7        | 185        | Ex  | 39.90 | S052            | TP90S2   | 4638         | 4638           |
| 71.6        | 192        | 1.7 | 19.55 | S062            | TS90LA4  | 8609         | 3444           |
| 71.4        | 186        | Ex  | 39.38 | S062            | TS80C2   | 8659         | 3464           |
| 71.2        | 186        | Ex  | 39.90 | S052            | TS90S2   | 4644         | 4644           |
| 71.0        | 194        | 2.9 | 20.14 | S082            | TP90L4   | 18000        | 5296           |
| 70.5        | 195        | 2.8 | 20.14 | S082            | TH90L4   | 18000        | 5308           |
| 70.4        | 188        | Ex  | 39.90 | S052            | TS80C2   | 4652         | 4652           |
| 70.4        | 197        | 1.5 | 13.36 | S062            | TH100L6  | 8632         | 3453           |
| 70.4        | 197        | 1.5 | 13.36 | S062            | TP100L6  | 8632         | 3453           |
| 70.2        | 189        | Ex  | 40.05 | S082            | TS80C2   | 18000        | 5322           |
| 69.6        | 199        | 1.5 | 13.36 | S062            | TS100LA6 | 8654         | 3461           |
| 69.5        | 198        | 2.8 | 20.14 | S082            | TS90LA4  | 18000        | 5331           |
| 67.3        | 197        | Ex  | 42.63 | S052            | TH90S2   | 4688         | 4688           |
| 67.1        | 198        | Ex  | 42.63 | S052            | TP90S2   | 4691         | 4691           |
| 66.7        | 199        | Ex  | 43.05 | S082            | TH90S2   | 18000        | 5406           |
| 66.6        | 199        | Ex  | 42.63 | S052            | TS90S2   | 4696         | 4696           |
| 66.4        | 200        | Ex  | 43.05 | S082            | TP90S2   | 18000        | 5412           |

## 5.1 S GEARED MOTORS (50Hz)

## 1.50 kW

| n <sub>2</sub><br>[rpm] | M <sub>2</sub><br>[Nm] | f <sub>s</sub> | i     | Gear<br>reducer | Motor    | Fr <sub>2</sub><br>D [N] | Fr <sub>2</sub><br>C-L [N] |
|-------------------------|------------------------|----------------|-------|-----------------|----------|--------------------------|----------------------------|
| 66.0                    | 201                    | Ex             | 43.05 | S082            | TS90S2   | 18000                    | 5424                       |
| 65.9                    | 201                    | Ex             | 42.63 | S052            | TS80C2   | 4704                     | 4704                       |
| 65.8                    | 202                    | Ex             | 43.64 | S062            | TH90S2   | 8827                     | 3531                       |
| 65.5                    | 202                    | Ex             | 43.64 | S062            | TP90S2   | 8835                     | 3534                       |
| 65.3                    | 203                    | Ex             | 43.05 | S082            | TS80C2   | 18000                    | 5442                       |
| 65.1                    | 204                    | Ex             | 43.64 | S062            | TS90S2   | 8849                     | 3540                       |
| 64.6                    | 213                    | 2.7            | 22.13 | S082            | TP90L4   | 18000                    | 5451                       |
| 64.4                    | 206                    | Ex             | 43.64 | S062            | TS80C2   | 8871                     | 3548                       |
| 64.2                    | 214                    | 2.7            | 22.13 | S082            | TH90L4   | 18000                    | 5463                       |
| 63.3                    | 217                    | 2.6            | 22.13 | S082            | TS90LA4  | 18000                    | 5486                       |
| 62.3                    | 213                    | Ex             | 46.10 | S062            | TH90S2   | 8940                     | 3576                       |
| 62.0                    | 214                    | Ex             | 46.10 | S062            | TP90S2   | 8947                     | 3579                       |
| 61.7                    | 223                    | 1.5            | 23.18 | S062            | TP90L4   | 8909                     | 3564                       |
| 61.6                    | 215                    | Ex             | 46.10 | S062            | TS90S2   | 8961                     | 3585                       |
| 61.3                    | 224                    | 1.5            | 23.18 | S062            | TH90L4   | 8923                     | 3569                       |
| 61.0                    | 218                    | Ex             | 46.10 | S062            | TS80C2   | 8983                     | 3593                       |
| 60.8                    | 218                    | Ex             | 47.20 | S052            | TH90S2   | 4765                     | 4765                       |
| 60.6                    | 219                    | Ex             | 47.20 | S052            | TP90S2   | 4767                     | 4767                       |
| 60.4                    | 228                    | 1.5            | 23.18 | S062            | TS90LA4  | 8951                     | 3581                       |
| 60.2                    | 221                    | Ex             | 47.20 | S052            | TS90S2   | 4772                     | 4772                       |
| 59.6                    | 231                    | 2.5            | 24.00 | S082            | TP90L4   | 18000                    | 5588                       |
| 59.5                    | 223                    | Ex             | 47.20 | S052            | TS80C2   | 4780                     | 4780                       |
| 59.2                    | 232                    | 2.5            | 24.00 | S082            | TH90L4   | 18000                    | 5600                       |
| 59.0                    | 235                    | 1.4            | 15.94 | S062            | TH100L6  | 8984                     | 3594                       |
| 59.0                    | 235                    | 1.4            | 15.94 | S062            | TP100L6  | 8984                     | 3594                       |
| 58.4                    | 238                    | 1.4            | 15.94 | S062            | TS100LA6 | 9005                     | 3602                       |
| 58.3                    | 236                    | 2.4            | 24.00 | S082            | TS90LA4  | 18000                    | 5624                       |
| 57.1                    | 232                    | Ex             | 50.25 | S082            | TH90S2   | 18000                    | 5668                       |
| 56.9                    | 242                    | 1.4            | 25.14 | S062            | TP90L4   | 9070                     | 3628                       |
| 56.9                    | 233                    | Ex             | 50.25 | S082            | TP90S2   | 18000                    | 5674                       |
| 56.5                    | 243                    | 1.4            | 25.14 | S062            | TH90L4   | 9084                     | 3634                       |
| 56.5                    | 235                    | Ex             | 50.25 | S082            | TS90S2   | 18000                    | 5686                       |
| 55.9                    | 237                    | Ex             | 50.25 | S082            | TS80C2   | 18000                    | 5704                       |
| 55.7                    | 247                    | 1.4            | 25.14 | S062            | TS90LA4  | 9112                     | 3645                       |
| 54.4                    | 256                    | 2.2            | 17.29 | S082            | TH100L6  | 18000                    | 5743                       |
| 54.4                    | 256                    | 2.2            | 17.29 | S082            | TP100L6  | 18000                    | 5743                       |
| 53.8                    | 258                    | 2.1            | 17.29 | S082            | TS100LA6 | 18000                    | 5762                       |
| 53.6                    | 248                    | Ex             | 53.53 | S062            | TH90S2   | 9242                     | 3697                       |
| 53.4                    | 248                    | Ex             | 53.53 | S062            | TP90S2   | 9249                     | 3700                       |
| 53.1                    | 250                    | Ex             | 53.53 | S062            | TS90S2   | 9263                     | 3705                       |
| 52.9                    | 251                    | Ex             | 54.27 | S082            | TH90S2   | 18000                    | 5802                       |

## 5.1 S GEARED MOTORS (50Hz)

## 1.50 kW

| n <sub>2</sub><br>[rpm] | M <sub>2</sub><br>[Nm] | f <sub>s</sub> | i     | Gear<br>reducer | Motor    | Fr <sub>2</sub><br>D [N] | Fr <sub>2</sub><br>C-L [N] |
|-------------------------|------------------------|----------------|-------|-----------------|----------|--------------------------|----------------------------|
| 52.7                    | 252                    | Ex             | 54.27 | S082            | TP90S2   | 18000                    | 5808                       |
| 52.5                    | 253                    | Ex             | 53.53 | S062            | TS80C2   | 9285                     | 3714                       |
| 52.4                    | 262                    | 2.5            | 27.29 | S082            | TP90L4   | 18000                    | 5809                       |
| 52.3                    | 254                    | Ex             | 54.27 | S082            | TS90S2   | 18000                    | 5820                       |
| 52.2                    | 254                    | Ex             | 55.00 | S062            | TH90S2   | 9297                     | 3719                       |
| 52.0                    | 255                    | Ex             | 55.00 | S062            | TP90S2   | 9303                     | 3721                       |
| 52.0                    | 264                    | 2.5            | 27.29 | S082            | TH90L4   | 18000                    | 5822                       |
| 51.8                    | 256                    | Ex             | 54.27 | S082            | TS80C2   | 18000                    | 5839                       |
| 51.7                    | 266                    | 1.3            | 27.66 | S062            | TP90L4   | 9256                     | 3702                       |
| 51.6                    | 257                    | Ex             | 55.00 | S062            | TS90S2   | 9317                     | 3727                       |
| 51.3                    | 268                    | 1.3            | 27.66 | S062            | TH90L4   | 9269                     | 3708                       |
| 51.3                    | 268                    | 2.4            | 27.29 | S082            | TS90LA4  | 18000                    | 5846                       |
| 51.1                    | 260                    | Ex             | 55.00 | S062            | TS80C2   | 9338                     | 3735                       |
| 50.6                    | 272                    | 1.3            | 27.66 | S062            | TS90LA4  | 9296                     | 3719                       |
| 49.9                    | 276                    | 2.4            | 28.67 | S082            | TP90L4   | 18000                    | 5897                       |
| 49.5                    | 278                    | 2.3            | 28.67 | S082            | TH90L4   | 18000                    | 5909                       |
| 48.8                    | 282                    | 2.3            | 28.67 | S082            | TS90LA4  | 18000                    | 5934                       |
| 48.1                    | 289                    | 1.1            | 19.55 | S062            | TH100L6  | 9376                     | 3750                       |
| 48.1                    | 289                    | 1.1            | 19.55 | S062            | TP100L6  | 9376                     | 3750                       |
| 47.7                    | 289                    | 1.2            | 30.00 | S062            | TP90L4   | 9411                     | 3764                       |
| 47.6                    | 292                    | 1.1            | 19.55 | S062            | TS100LA6 | 9396                     | 3758                       |
| 47.3                    | 291                    | 1.2            | 30.00 | S062            | TH90L4   | 9424                     | 3769                       |
| 46.7                    | 295                    | 1.2            | 30.00 | S062            | TS90LA4  | 9450                     | 3780                       |
| 46.7                    | 298                    | 1.9            | 20.14 | S082            | TH100L6  | 18000                    | 6012                       |
| 46.7                    | 298                    | 1.9            | 20.14 | S082            | TP100L6  | 18000                    | 6012                       |
| 46.3                    | 287                    | Ex             | 61.98 | S082            | TH90S2   | 18000                    | 6039                       |
| 46.2                    | 301                    | 1.8            | 20.14 | S082            | TS100LA6 | 18000                    | 6031                       |
| 46.1                    | 288                    | Ex             | 61.98 | S082            | TP90S2   | 18000                    | 6045                       |
| 45.8                    | 290                    | Ex             | 61.98 | S082            | TS90S2   | 18000                    | 6058                       |
| 45.3                    | 293                    | Ex             | 61.98 | S082            | TS80C2   | 18000                    | 6077                       |
| 45.0                    | 306                    | 2.8            | 31.78 | S082            | TP90L4   | 18000                    | 6081                       |
| 44.7                    | 308                    | 2.8            | 31.78 | S082            | TH90L4   | 18000                    | 6094                       |
| 44.1                    | 312                    | 2.7            | 31.78 | S082            | TS90LA4  | 18000                    | 6119                       |
| 42.5                    | 312                    | Ex             | 67.47 | S062            | TH90S2   | 9692                     | 3877                       |
| 42.5                    | 327                    | 1.8            | 22.13 | S082            | TH100L6  | 18000                    | 6183                       |
| 42.5                    | 327                    | 1.8            | 22.13 | S082            | TP100L6  | 18000                    | 6183                       |
| 42.5                    | 306                    | Ex             | 67.52 | S083            | TH90S2   | 18000                    | 6202                       |
| 42.4                    | 313                    | Ex             | 67.47 | S062            | TP90S2   | 9698                     | 3879                       |
| 42.4                    | 307                    | Ex             | 67.52 | S083            | TP90S2   | 18000                    | 6208                       |
| 42.1                    | 315                    | Ex             | 67.47 | S062            | TS90S2   | 9712                     | 3885                       |
| 42.1                    | 309                    | Ex             | 67.52 | S083            | TS90S2   | 18000                    | 6221                       |

## 5.1 S GEARED MOTORS (50Hz)

## 1.50 kW

| n2<br>[rpm] | M2<br>[Nm] | fs  | i     | Gear<br>reducer | Motor    | Fr2<br>D [N] | Fr2<br>C-L [N] |
|-------------|------------|-----|-------|-----------------|----------|--------------|----------------|
| 42.0        | 330        | 1.7 | 22.13 | S082            | TS100LA6 | 18000        | 6202           |
| 41.7        | 319        | Ex  | 67.47 | S062            | TS80C2   | 9731         | 3893           |
| 41.6        | 312        | Ex  | 67.52 | S083            | TS80C2   | 18000        | 6241           |
| 41.0        | 336        | 2.5 | 34.91 | S082            | TP90L4   | 18000        | 6253           |
| 40.7        | 338        | 2.5 | 34.91 | S082            | TH90L4   | 18000        | 6266           |
| 40.1        | 343        | 2.5 | 34.91 | S082            | TS90LA4  | 18000        | 6293           |
| 39.2        | 355        | 1.6 | 24.00 | S082            | TH100L6  | 18000        | 6333           |
| 39.2        | 355        | 1.6 | 24.00 | S082            | TP100L6  | 18000        | 6333           |
| 39.1        | 352        | 1.5 | 36.57 | S062            | TP90L4   | 9769         | 3908           |
| 38.8        | 354        | 1.4 | 36.57 | S062            | TH90L4   | 9781         | 3913           |
| 38.8        | 358        | 1.6 | 24.00 | S082            | TS100LA6 | 18000        | 6353           |
| 38.7        | 336        | Ex  | 74.18 | S083            | TH90S2   | 18000        | 6378           |
| 38.6        | 337        | Ex  | 74.18 | S083            | TP90S2   | 18000        | 6385           |
| 38.3        | 359        | 1.4 | 36.57 | S062            | TS90LA4  | 9806         | 3922           |
| 38.3        | 339        | Ex  | 74.18 | S083            | TS90S2   | 18000        | 6398           |
| 37.9        | 343        | Ex  | 74.18 | S083            | TS80C2   | 18000        | 6418           |
| 36.6        | 376        | 3.4 | 38.30 | S102            | TS90LA4  | 22000        | 8020           |
| 36.3        | 379        | 1.3 | 39.38 | S062            | TP90L4   | 9894         | 3958           |
| 36.1        | 381        | 1.3 | 39.38 | S062            | TH90L4   | 9906         | 3962           |
| 35.7        | 385        | 2.2 | 40.05 | S082            | TP90L4   | 18000        | 6512           |
| 35.6        | 387        | 1.3 | 39.38 | S062            | TS90LA4  | 9929         | 3972           |
| 35.5        | 388        | 2.2 | 40.05 | S082            | TH90L4   | 18000        | 6525           |
| 35.2        | 369        | Ex  | 81.43 | S063            | TH90S2   | 10000        | 4000           |
| 35.1        | 370        | Ex  | 81.43 | S063            | TP90S2   | 10000        | 4000           |
| 35.0        | 393        | 2.2 | 40.05 | S082            | TS90LA4  | 18000        | 6552           |
| 34.9        | 373        | Ex  | 81.43 | S063            | TS90S2   | 10000        | 4000           |
| 34.5        | 377        | Ex  | 81.43 | S063            | TS80C2   | 10000        | 4000           |
| 34.4        | 403        | 1.6 | 27.29 | S082            | TH100L6  | 18000        | 6576           |
| 34.4        | 403        | 1.6 | 27.29 | S082            | TP100L6  | 18000        | 6576           |
| 34.1        | 408        | 1.6 | 27.29 | S082            | TS100LA6 | 18000        | 6597           |
| 33.2        | 414        | 2.1 | 43.05 | S082            | TP90L4   | 18000        | 6650           |
| 33.0        | 417        | 2.0 | 43.05 | S082            | TH90L4   | 18000        | 6664           |
| 32.8        | 420        | 1.2 | 43.64 | S062            | TP90L4   | 10000        | 4000           |
| 32.8        | 424        | 1.5 | 28.67 | S082            | TH100L6  | 18000        | 6672           |
| 32.8        | 424        | 1.5 | 28.67 | S082            | TP100L6  | 18000        | 6672           |
| 32.5        | 423        | 1.2 | 43.64 | S062            | TH90L4   | 10000        | 4000           |
| 32.5        | 423        | 2.0 | 43.05 | S082            | TS90LA4  | 18000        | 6691           |
| 32.5        | 423        | 2.6 | 44.00 | S102            | TP90L4   | 22000        | 8314           |
| 32.4        | 428        | 1.5 | 28.67 | S082            | TS100LA6 | 18000        | 6692           |
| 32.3        | 426        | 2.6 | 44.00 | S102            | TH90L4   | 22000        | 8332           |
| 32.1        | 429        | 1.2 | 43.64 | S062            | TS90LA4  | 10000        | 4000           |

## 5.1 S GEARED MOTORS (50Hz)

## 1.50 kW

| n <sub>2</sub><br>[rpm] | M <sub>2</sub><br>[Nm] | f <sub>s</sub> | i      | Gear<br>reducer | Motor    | Fr <sub>2</sub><br>D [N] | Fr <sub>2</sub><br>C-L [N] |
|-------------------------|------------------------|----------------|--------|-----------------|----------|--------------------------|----------------------------|
| 31.8                    | 432                    | 2.6            | 44.00  | S102            | TS90LA4  | 22000                    | 8368                       |
| 31.5                    | 441                    | 2.4            | 29.87  | S102            | TH100L6  | 22000                    | 8392                       |
| 31.5                    | 441                    | 2.4            | 29.87  | S102            | TP100L6  | 22000                    | 8392                       |
| 31.4                    | 414                    | Ex             | 91.49  | S083            | TH90S2   | 18000                    | 6784                       |
| 31.3                    | 416                    | Ex             | 91.49  | S083            | TP90S2   | 18000                    | 6791                       |
| 31.1                    | 446                    | 2.4            | 29.87  | S102            | TS100LA6 | 22000                    | 8420                       |
| 31.0                    | 443                    | 1.2            | 46.10  | S062            | TP90L4   | 10000                    | 4000                       |
| 31.0                    | 419                    | Ex             | 91.49  | S083            | TS90S2   | 18000                    | 6805                       |
| 30.8                    | 446                    | 1.1            | 46.10  | S062            | TH90L4   | 10000                    | 4000                       |
| 30.7                    | 423                    | Ex             | 91.49  | S083            | TS80C2   | 18000                    | 6826                       |
| 30.4                    | 453                    | 1.1            | 46.10  | S062            | TS90LA4  | 10000                    | 4000                       |
| 30.3                    | 453                    | 3.0            | 47.13  | S102            | TP90L4   | 22000                    | 8489                       |
| 30.1                    | 456                    | 3.0            | 47.13  | S102            | TH90L4   | 22000                    | 8507                       |
| 29.7                    | 463                    | 2.9            | 47.13  | S102            | TS90LA4  | 22000                    | 8544                       |
| 29.6                    | 470                    | 1.8            | 31.78  | S082            | TH100L6  | 18000                    | 6872                       |
| 29.6                    | 470                    | 1.8            | 31.78  | S082            | TP100L6  | 18000                    | 6872                       |
| 29.3                    | 475                    | 1.8            | 31.78  | S082            | TS100LA6 | 18000                    | 6894                       |
| 29.0                    | 479                    | 2.7            | 32.40  | S102            | TH100L6  | 22000                    | 8602                       |
| 29.0                    | 479                    | 2.7            | 32.40  | S102            | TP100L6  | 22000                    | 8602                       |
| 28.7                    | 484                    | 2.6            | 32.40  | S102            | TS100LA6 | 22000                    | 8630                       |
| 28.5                    | 483                    | 1.8            | 50.25  | S082            | TP90L4   | 18000                    | 6954                       |
| 28.3                    | 487                    | 1.7            | 50.25  | S082            | TH90L4   | 18000                    | 6968                       |
| 27.9                    | 494                    | 1.7            | 50.25  | S082            | TS90LA4  | 18000                    | 6996                       |
| 26.9                    | 516                    | 1.6            | 34.91  | S082            | TH100L6  | 18000                    | 7060                       |
| 26.9                    | 516                    | 1.6            | 34.91  | S082            | TP100L6  | 18000                    | 7060                       |
| 26.9                    | 516                    | 2.3            | 34.91  | S102            | TH100L6  | 22000                    | 8798                       |
| 26.9                    | 516                    | 2.3            | 34.91  | S102            | TP100L6  | 22000                    | 8798                       |
| 26.6                    | 521                    | 1.6            | 34.91  | S082            | TS100LA6 | 18000                    | 7081                       |
| 26.6                    | 521                    | 2.3            | 34.91  | S102            | TS100LA6 | 22000                    | 8826                       |
| 26.4                    | 522                    | 1.6            | 54.27  | S082            | TP90L4   | 18000                    | 7108                       |
| 26.2                    | 526                    | 1.6            | 54.27  | S082            | TH90L4   | 18000                    | 7122                       |
| 25.9                    | 530                    | 2.1            | 55.14  | S102            | TP90L4   | 22000                    | 8901                       |
| 25.8                    | 533                    | 1.6            | 54.27  | S082            | TS90LA4  | 18000                    | 7151                       |
| 25.8                    | 534                    | 2.1            | 55.14  | S102            | TH90L4   | 22000                    | 8920                       |
| 25.4                    | 542                    | 2.0            | 55.14  | S102            | TS90LA4  | 22000                    | 8958                       |
| 24.5                    | 531                    | Ex             | 117.17 | S083            | TH90S2   | 18000                    | 7200                       |
| 24.5                    | 566                    | 2.3            | 38.30  | S102            | TH100L6  | 22000                    | 9000                       |
| 24.5                    | 566                    | 2.3            | 38.30  | S102            | TP100L6  | 22000                    | 9000                       |
| 24.4                    | 532                    | Ex             | 117.17 | S083            | TP90S2   | 18000                    | 7200                       |
| 24.3                    | 572                    | 2.2            | 38.30  | S102            | TS100LA6 | 22000                    | 9000                       |
| 24.2                    | 536                    | Ex             | 117.17 | S083            | TS90S2   | 18000                    | 7200                       |

## 5.1 S GEARED MOTORS (50Hz)

## 1.50 kW

| n <sub>2</sub><br>[rpm] | M <sub>2</sub><br>[Nm] | f <sub>s</sub> | i      | Gear<br>reducer | Motor    | Fr <sub>2</sub><br>D [N] | Fr <sub>2</sub><br>C-L [N] |
|-------------------------|------------------------|----------------|--------|-----------------|----------|--------------------------|----------------------------|
| 24.1                    | 571                    | 2.4            | 59.40  | S102            | TP90L4   | 22000                    | 9000                       |
| 24.0                    | 542                    | Ex             | 117.17 | S083            | TS80C2   | 18000                    | 7200                       |
| 23.9                    | 575                    | 2.4            | 59.40  | S102            | TH90L4   | 22000                    | 9000                       |
| 23.6                    | 583                    | 2.3            | 59.40  | S102            | TS90LA4  | 22000                    | 9000                       |
| 23.5                    | 592                    | 1.4            | 40.05  | S082            | TH100L6  | 18000                    | 7200                       |
| 23.5                    | 592                    | 1.4            | 40.05  | S082            | TP100L6  | 18000                    | 7200                       |
| 23.2                    | 598                    | 1.4            | 40.05  | S082            | TS100LA6 | 18000                    | 7200                       |
| 23.1                    | 596                    | 1.4            | 61.98  | S082            | TP90L4   | 18000                    | 7200                       |
| 22.9                    | 600                    | 1.4            | 61.98  | S082            | TH90L4   | 18000                    | 7200                       |
| 22.6                    | 609                    | 1.4            | 61.98  | S082            | TS90LA4  | 18000                    | 7200                       |
| 22.3                    | 583                    | Ex             | 128.73 | S083            | TH90S2   | 18000                    | 7200                       |
| 22.2                    | 585                    | Ex             | 128.73 | S083            | TP90S2   | 18000                    | 7200                       |
| 22.1                    | 589                    | Ex             | 128.73 | S083            | TS90S2   | 18000                    | 7200                       |
| 21.8                    | 636                    | 1.3            | 43.05  | S082            | TH100L6  | 18000                    | 7200                       |
| 21.8                    | 636                    | 1.3            | 43.05  | S082            | TP100L6  | 18000                    | 7200                       |
| 21.8                    | 595                    | Ex             | 128.73 | S083            | TS80C2   | 18000                    | 7200                       |
| 21.6                    | 643                    | 1.3            | 43.05  | S082            | TS100LA6 | 18000                    | 7200                       |
| 21.4                    | 650                    | 1.7            | 44.00  | S102            | TH100L6  | 22000                    | 9000                       |
| 21.4                    | 650                    | 1.7            | 44.00  | S102            | TP100L6  | 22000                    | 9000                       |
| 21.2                    | 636                    | 1.3            | 67.52  | S083            | TP90L4   | 18000                    | 7200                       |
| 21.1                    | 652                    | 2.1            | 67.84  | S102            | TP90L4   | 22000                    | 9000                       |
| 21.1                    | 657                    | 1.7            | 44.00  | S102            | TS100LA6 | 22000                    | 9000                       |
| 21.0                    | 640                    | 1.3            | 67.52  | S083            | TH90L4   | 18000                    | 7200                       |
| 20.9                    | 657                    | 2.1            | 67.84  | S102            | TH90L4   | 22000                    | 9000                       |
| 20.7                    | 649                    | 1.3            | 67.52  | S083            | TS90LA4  | 18000                    | 7200                       |
| 20.6                    | 666                    | 2.0            | 67.84  | S102            | TS90LA4  | 22000                    | 9000                       |
| 19.9                    | 696                    | 2.0            | 47.13  | S102            | TH100L6  | 22000                    | 9000                       |
| 19.9                    | 696                    | 2.0            | 47.13  | S102            | TP100L6  | 22000                    | 9000                       |
| 19.7                    | 704                    | 1.9            | 47.13  | S102            | TS100LA6 | 22000                    | 9000                       |
| 19.3                    | 699                    | 1.2            | 74.18  | S083            | TP90L4   | 18000                    | 7200                       |
| 19.3                    | 699                    | 2.0            | 74.18  | S103            | TP90L4   | 22000                    | 9000                       |
| 19.2                    | 725                    | 2.8            | 49.04  | S122            | TH100L6  | 30000                    | 11200                      |
| 19.2                    | 725                    | 2.8            | 49.04  | S122            | TP100L6  | 30000                    | 11200                      |
| 19.1                    | 703                    | 1.2            | 74.18  | S083            | TH90L4   | 18000                    | 7200                       |
| 19.1                    | 703                    | 1.9            | 74.18  | S103            | TH90L4   | 22000                    | 9000                       |
| 19.0                    | 732                    | 2.8            | 49.04  | S122            | TS100LA6 | 30000                    | 11200                      |
| 18.9                    | 713                    | 1.2            | 74.18  | S083            | TS90LA4  | 18000                    | 7200                       |
| 18.9                    | 713                    | 1.9            | 74.18  | S103            | TS90LA4  | 22000                    | 9000                       |
| 18.7                    | 742                    | 1.1            | 50.25  | S082            | TH100L6  | 18000                    | 7200                       |
| 18.7                    | 742                    | 1.1            | 50.25  | S082            | TP100L6  | 18000                    | 7200                       |
| 18.5                    | 750                    | 1.1            | 50.25  | S082            | TS100LA6 | 18000                    | 7200                       |

## 5.1 S GEARED MOTORS (50Hz)

## 1.50 kW

| n <sub>2</sub><br>[rpm] | M <sub>2</sub><br>[Nm] | f <sub>s</sub> | i      | Gear<br>reducer | Motor    | Fr <sub>2</sub><br>D [N] | Fr <sub>2</sub><br>C-L [N] |
|-------------------------|------------------------|----------------|--------|-----------------|----------|--------------------------|----------------------------|
| 17.6                    | 766                    | 1.8            | 81.39  | S103            | TP90L4   | 22000                    | 9000                       |
| 17.5                    | 794                    | 2.8            | 53.75  | S122            | TH100L6  | 30000                    | 11200                      |
| 17.5                    | 794                    | 2.8            | 53.75  | S122            | TP100L6  | 30000                    | 11200                      |
| 17.4                    | 772                    | 1.8            | 81.39  | S103            | TH90L4   | 22000                    | 9000                       |
| 17.3                    | 802                    | 1.1            | 54.27  | S082            | TH100L6  | 18000                    | 7200                       |
| 17.3                    | 802                    | 1.1            | 54.27  | S082            | TP100L6  | 18000                    | 7200                       |
| 17.3                    | 803                    | 2.8            | 53.75  | S122            | TS100LA6 | 30000                    | 11200                      |
| 17.2                    | 783                    | 1.7            | 81.39  | S103            | TS90LA4  | 22000                    | 9000                       |
| 17.1                    | 810                    | 1.0            | 54.27  | S082            | TS100LA6 | 18000                    | 7200                       |
| 17.0                    | 815                    | 1.4            | 55.14  | S102            | TH100L6  | 22000                    | 9000                       |
| 17.0                    | 815                    | 1.4            | 55.14  | S102            | TP100L6  | 22000                    | 9000                       |
| 16.9                    | 823                    | 1.3            | 55.14  | S102            | TS100LA6 | 22000                    | 9000                       |
| 15.8                    | 878                    | 1.6            | 59.40  | S102            | TH100L6  | 22000                    | 9000                       |
| 15.8                    | 878                    | 1.6            | 59.40  | S102            | TP100L6  | 22000                    | 9000                       |
| 15.7                    | 887                    | 1.5            | 59.40  | S102            | TS100LA6 | 22000                    | 9000                       |
| 14.3                    | 943                    | 1.4            | 100.15 | S103            | TP90L4   | 22000                    | 9000                       |
| 14.2                    | 950                    | 1.4            | 100.15 | S103            | TH90L4   | 22000                    | 9000                       |
| 14.2                    | 975                    | 2.6            | 66.00  | S122            | TH100L6  | 30000                    | 11200                      |
| 14.2                    | 975                    | 2.6            | 66.00  | S122            | TP100L6  | 30000                    | 11200                      |
| 14.1                    | 986                    | 2.6            | 66.00  | S122            | TS100LA6 | 30000                    | 11200                      |
| 14.0                    | 963                    | 1.4            | 100.15 | S103            | TS90LA4  | 22000                    | 9000                       |
| 13.9                    | 1002                   | 1.4            | 67.84  | S102            | TH100L6  | 22000                    | 9000                       |
| 13.9                    | 1002                   | 1.4            | 67.84  | S102            | TP100L6  | 22000                    | 9000                       |
| 13.7                    | 1013                   | 1.3            | 67.84  | S102            | TS100LA6 | 22000                    | 9000                       |
| 13.2                    | 1028                   | 2.2            | 71.07  | S123            | TH100L6  | 30000                    | 11200                      |
| 13.2                    | 1028                   | 2.2            | 71.07  | S123            | TP100L6  | 30000                    | 11200                      |
| 13.1                    | 1039                   | 2.2            | 71.07  | S123            | TS100LA6 | 30000                    | 11200                      |
| 12.9                    | 1041                   | 1.3            | 110.55 | S103            | TP90L4   | 22000                    | 9000                       |
| 12.8                    | 1048                   | 1.3            | 110.55 | S103            | TH90L4   | 22000                    | 9000                       |
| 12.7                    | 1073                   | 1.3            | 74.18  | S103            | TH100L6  | 22000                    | 9000                       |
| 12.7                    | 1073                   | 1.3            | 74.18  | S103            | TP100L6  | 22000                    | 9000                       |
| 12.7                    | 1063                   | 1.3            | 110.55 | S103            | TS90LA4  | 22000                    | 9000                       |
| 12.7                    | 1059                   | 2.4            | 112.52 | S123            | TP90L4   | 30000                    | 11200                      |
| 12.6                    | 1067                   | 2.4            | 112.52 | S123            | TH90L4   | 30000                    | 11200                      |
| 12.5                    | 1085                   | 1.3            | 74.18  | S103            | TS100LA6 | 22000                    | 9000                       |
| 12.4                    | 1082                   | 2.4            | 112.52 | S123            | TS90LA4  | 30000                    | 11200                      |
| 11.6                    | 1161                   | 2.2            | 123.33 | S123            | TP90L4   | 30000                    | 11200                      |
| 11.5                    | 1178                   | 1.2            | 81.39  | S103            | TH100L6  | 22000                    | 9000                       |
| 11.5                    | 1178                   | 1.2            | 81.39  | S103            | TP100L6  | 22000                    | 9000                       |
| 11.5                    | 1169                   | 2.2            | 123.33 | S123            | TH90L4   | 30000                    | 11200                      |
| 11.4                    | 1190                   | 1.1            | 81.39  | S103            | TS100LA6 | 22000                    | 9000                       |



## 5.1 S GEARED MOTORS (50Hz)

## 1.50 kW

| n <sub>2</sub><br>[rpm] | M <sub>2</sub><br>[Nm] | f <sub>s</sub> | i      | Gear<br>reducer | Motor    | Fr <sub>2</sub><br>D [N] | Fr <sub>2</sub><br>C-L [N] |
|-------------------------|------------------------|----------------|--------|-----------------|----------|--------------------------|----------------------------|
| 11.4                    | 1186                   | 2.2            | 123.33 | S123            | TS90LA4  | 30000                    | 11200                      |
| 11.1                    | 1212                   | 1.1            | 128.73 | S103            | TP90L4   | 22000                    | 9000                       |
| 11.0                    | 1221                   | 1.1            | 128.73 | S103            | TH90L4   | 22000                    | 9000                       |
| 10.9                    | 1238                   | 1.1            | 128.73 | S103            | TS90LA4  | 22000                    | 9000                       |
| 10.8                    | 1263                   | 2.0            | 87.27  | S123            | TH100L6  | 30000                    | 11200                      |
| 10.8                    | 1263                   | 2.0            | 87.27  | S123            | TP100L6  | 30000                    | 11200                      |
| 10.7                    | 1276                   | 2.0            | 87.27  | S123            | TS100LA6 | 30000                    | 11200                      |
| 10.7                    | 1260                   | 2.0            | 133.78 | S123            | TP90L4   | 30000                    | 11200                      |
| 10.6                    | 1269                   | 2.0            | 133.78 | S123            | TH90L4   | 30000                    | 11200                      |
| 10.5                    | 1287                   | 2.0            | 133.78 | S123            | TS90LA4  | 30000                    | 11200                      |
| 10.1                    | 1339                   | 1.0            | 141.24 | S103            | TH90L4   | 22000                    | 9000                       |
| 10.1                    | 1330                   | 1.0            | 141.24 | S103            | TP90L4   | 22000                    | 9000                       |
| 9.9                     | 1358                   | 1.0            | 141.24 | S103            | TS90LA4  | 22000                    | 9000                       |
| 9.4                     | 1436                   | 1.8            | 151.43 | S123            | TH90L4   | 30000                    | 11200                      |
| 9.4                     | 1426                   | 1.8            | 151.43 | S123            | TP90L4   | 30000                    | 11200                      |
| 9.2                     | 1457                   | 1.8            | 151.43 | S123            | TS90LA4  | 30000                    | 11200                      |
| 8.4                     | 1628                   | 1.6            | 112.52 | S123            | TH100L6  | 30000                    | 11200                      |
| 8.4                     | 1628                   | 1.6            | 112.52 | S123            | TP100L6  | 30000                    | 11200                      |
| 8.3                     | 1645                   | 1.6            | 112.52 | S123            | TS100LA6 | 30000                    | 11200                      |
| 8.1                     | 1672                   | 1.5            | 177.53 | S123            | TP90L4   | 30000                    | 11200                      |
| 8.0                     | 1683                   | 1.5            | 177.53 | S123            | TH90L4   | 30000                    | 11200                      |
| 7.9                     | 1708                   | 1.5            | 177.53 | S123            | TS90LA4  | 30000                    | 11200                      |
| 7.6                     | 1784                   | 1.4            | 123.33 | S123            | TH100L6  | 30000                    | 11200                      |
| 7.6                     | 1784                   | 1.4            | 123.33 | S123            | TP100L6  | 30000                    | 11200                      |
| 7.5                     | 1804                   | 1.4            | 123.33 | S123            | TS100LA6 | 30000                    | 11200                      |
| 7.3                     | 1845                   | 1.4            | 194.59 | S123            | TH90L4   | 30000                    | 11200                      |
| 7.3                     | 1832                   | 1.4            | 194.59 | S123            | TP90L4   | 30000                    | 11200                      |
| 7.2                     | 1872                   | 1.4            | 194.59 | S123            | TS90LA4  | 30000                    | 11200                      |
| 7.0                     | 1936                   | 1.3            | 133.78 | S123            | TH100L6  | 30000                    | 11200                      |
| 7.0                     | 1936                   | 1.3            | 133.78 | S123            | TP100L6  | 30000                    | 11200                      |
| 7.0                     | 1956                   | 1.3            | 133.78 | S123            | TS100LA6 | 30000                    | 11200                      |
| 6.2                     | 2191                   | 1.2            | 151.43 | S123            | TH100L6  | 30000                    | 11200                      |
| 6.2                     | 2191                   | 1.2            | 151.43 | S123            | TP100L6  | 30000                    | 11200                      |
| 6.1                     | 2215                   | 1.2            | 151.43 | S123            | TS100LA6 | 30000                    | 11200                      |
| 6.0                     | 2250                   | 1.1            | 238.93 | S123            | TP90L4   | 30000                    | 11200                      |
| 5.9                     | 2266                   | 1.1            | 238.93 | S123            | TH90L4   | 30000                    | 11200                      |
| 5.9                     | 2298                   | 1.1            | 238.93 | S123            | TS90LA4  | 30000                    | 11200                      |

## 5.1 S GEARED MOTORS (50Hz)

## 1.85 kW

| n2<br>[rpm] | M2<br>[Nm] | fs  | i     | Gear<br>reducer | Motor    | Fr2<br>D [N] | Fr2<br>C-L [N] |
|-------------|------------|-----|-------|-----------------|----------|--------------|----------------|
| 175.0       | 97         | 2.5 | 8.00  | S062            | TS90LB4  | 6703         | 2681           |
| 162.3       | 104        | 1.2 | 8.63  | S052            | TS90LB4  | 3756         | 3756           |
| 146.7       | 116        | 2.2 | 9.55  | S062            | TS90LB4  | 7023         | 2809           |
| 125.7       | 135        | 1.0 | 11.14 | S052            | TS90LB4  | 3963         | 3963           |
| 119.6       | 142        | 2.0 | 11.71 | S062            | TS90LB4  | 7398         | 2959           |
| 116.3       | 147        | 1.6 | 8.00  | S062            | TS100LB6 | 7441         | 2976           |
| 104.8       | 162        | 1.9 | 13.36 | S062            | TS90LB4  | 7640         | 3056           |
| 97.4        | 176        | 1.5 | 9.55  | S062            | TS100LB6 | 7763         | 3105           |
| 93.5        | 183        | 2.6 | 9.94  | S082            | TS100LB6 | 16905        | 4830           |
| 87.8        | 193        | 1.7 | 15.94 | S062            | TS90LB4  | 7962         | 3185           |
| 80.9        | 210        | 2.6 | 17.29 | S082            | TS90LB4  | 17673        | 5049           |
| 80.1        | 214        | 2.4 | 11.61 | S082            | TS100LB6 | 17721        | 5063           |
| 79.4        | 216        | 1.3 | 11.71 | S062            | TS100LB6 | 8129         | 3252           |
| 72.9        | 235        | 2.3 | 12.75 | S082            | TS100LB6 | 18000        | 5209           |
| 71.6        | 237        | 1.4 | 19.55 | S062            | TS90LB4  | 8325         | 3330           |
| 69.6        | 246        | 1.2 | 13.36 | S062            | TS100LB6 | 8359         | 3343           |
| 69.5        | 244        | 2.3 | 20.14 | S082            | TS90LB4  | 18000        | 5287           |
| 63.3        | 268        | 2.1 | 22.13 | S082            | TS90LB4  | 18000        | 5439           |
| 60.4        | 281        | 1.2 | 23.18 | S062            | TS90LB4  | 8615         | 3446           |
| 58.4        | 294        | 1.1 | 15.94 | S062            | TS100LB6 | 8653         | 3461           |
| 58.3        | 291        | 2.0 | 24.00 | S082            | TS90LB4  | 18000        | 5572           |
| 55.7        | 305        | 1.1 | 25.14 | S062            | TS90LB4  | 8747         | 3499           |
| 53.8        | 319        | 1.7 | 17.29 | S082            | TS100LB6 | 18000        | 5705           |
| 51.3        | 331        | 2.0 | 27.29 | S082            | TS90LB4  | 18000        | 5788           |
| 50.6        | 335        | 1.0 | 27.66 | S062            | TS90LB4  | 8895         | 3558           |
| 48.8        | 347        | 1.9 | 28.67 | S082            | TS90LB4  | 18000        | 5872           |
| 46.2        | 371        | 1.5 | 20.14 | S082            | TS100LB6 | 18000        | 5965           |
| 44.1        | 385        | 2.2 | 31.78 | S082            | TS90LB4  | 18000        | 6051           |
| 43.2        | 393        | 3.3 | 32.40 | S102            | TS90LB4  | 22000        | 7562           |
| 42.0        | 408        | 1.4 | 22.13 | S082            | TS100LB6 | 18000        | 6130           |
| 42.0        | 408        | 2.5 | 22.13 | S102            | TS100LB6 | 22000        | 7623           |
| 40.1        | 423        | 2.0 | 34.91 | S082            | TS90LB4  | 18000        | 6217           |
| 40.1        | 423        | 2.8 | 34.91 | S102            | TS90LB4  | 22000        | 7736           |
| 38.8        | 442        | 1.3 | 24.00 | S082            | TS100LB6 | 18000        | 6275           |
| 38.3        | 443        | 1.2 | 36.57 | S062            | TS90LB4  | 9274         | 3710           |
| 38.3        | 447        | 2.4 | 24.28 | S102            | TS100LB6 | 22000        | 7840           |
| 36.6        | 464        | 2.8 | 38.30 | S102            | TS90LB4  | 22000        | 7955           |
| 35.6        | 477        | 1.1 | 39.38 | S062            | TS90LB4  | 9357         | 3743           |
| 35.3        | 485        | 2.2 | 26.33 | S102            | TS100LB6 | 22000        | 8034           |
| 35.0        | 485        | 1.8 | 40.05 | S082            | TS90LB4  | 18000        | 6466           |
| 34.1        | 503        | 1.3 | 27.29 | S082            | TS100LB6 | 18000        | 6508           |

## 5.1 S GEARED MOTORS (50Hz)

## 1.85 kW

| n2<br>[rpm] | M2<br>[Nm] | fs  | i      | Gear<br>reducer | Motor    | Fr2<br>D [N] | Fr2<br>C-L [N] |
|-------------|------------|-----|--------|-----------------|----------|--------------|----------------|
| 32.5        | 522        | 1.6 | 43.05  | S082            | TS90LB4  | 18000        | 6599           |
| 32.4        | 528        | 1.2 | 28.67  | S082            | TS100LB6 | 18000        | 6599           |
| 31.8        | 533        | 2.1 | 44.00  | S102            | TS90LB4  | 22000        | 8293           |
| 31.1        | 550        | 2.0 | 29.87  | S102            | TS100LB6 | 22000        | 8342           |
| 29.7        | 571        | 2.4 | 47.13  | S102            | TS90LB4  | 22000        | 8464           |
| 29.3        | 585        | 1.5 | 31.78  | S082            | TS100LB6 | 18000        | 6790           |
| 28.7        | 597        | 2.1 | 32.40  | S102            | TS100LB6 | 22000        | 8546           |
| 27.9        | 609        | 1.4 | 50.25  | S082            | TS90LB4  | 18000        | 6888           |
| 26.6        | 643        | 1.3 | 34.91  | S082            | TS100LB6 | 18000        | 6967           |
| 26.6        | 643        | 1.9 | 34.91  | S102            | TS100LB6 | 22000        | 8736           |
| 26.0        | 651        | 3.4 | 53.75  | S122            | TS90LB4  | 30000        | 11200          |
| 25.8        | 657        | 1.3 | 54.27  | S082            | TS90LB4  | 18000        | 7034           |
| 25.4        | 668        | 1.7 | 55.14  | S102            | TS90LB4  | 22000        | 8864           |
| 24.3        | 706        | 1.8 | 38.30  | S102            | TS100LB6 | 22000        | 8976           |
| 23.6        | 720        | 1.9 | 59.40  | S102            | TS90LB4  | 22000        | 9000           |
| 23.2        | 738        | 1.2 | 40.05  | S082            | TS100LB6 | 18000        | 7200           |
| 22.6        | 751        | 1.1 | 61.98  | S082            | TS90LB4  | 18000        | 7200           |
| 21.6        | 793        | 1.1 | 43.05  | S082            | TS100LB6 | 18000        | 7200           |
| 21.3        | 803        | 3.2 | 43.60  | S122            | TS100LB6 | 30000        | 11200          |
| 21.2        | 800        | 3.2 | 66.00  | S122            | TS90LB4  | 30000        | 11200          |
| 21.1        | 810        | 1.4 | 44.00  | S102            | TS100LB6 | 22000        | 9000           |
| 20.7        | 801        | 1.1 | 67.52  | S083            | TS90LB4  | 18000        | 7200           |
| 20.6        | 822        | 1.7 | 67.84  | S102            | TS90LB4  | 22000        | 9000           |
| 19.7        | 868        | 1.6 | 47.13  | S102            | TS100LB6 | 22000        | 9000           |
| 19.0        | 903        | 2.3 | 49.04  | S122            | TS100LB6 | 30000        | 11200          |
| 18.9        | 880        | 1.6 | 74.18  | S103            | TS90LB4  | 22000        | 9000           |
| 17.3        | 990        | 2.2 | 53.75  | S122            | TS100LB6 | 30000        | 11200          |
| 17.2        | 966        | 1.4 | 81.39  | S103            | TS90LB4  | 22000        | 9000           |
| 16.9        | 1016       | 1.1 | 55.14  | S102            | TS100LB6 | 22000        | 9000           |
| 15.7        | 1094       | 1.2 | 59.40  | S102            | TS100LB6 | 22000        | 9000           |
| 14.1        | 1216       | 2.1 | 66.00  | S122            | TS100LB6 | 30000        | 11200          |
| 14.0        | 1188       | 1.1 | 100.15 | S103            | TS90LB4  | 22000        | 9000           |
| 13.7        | 1250       | 1.1 | 67.84  | S102            | TS100LB6 | 22000        | 9000           |
| 13.1        | 1282       | 1.8 | 71.07  | S123            | TS100LB6 | 30000        | 11200          |
| 12.7        | 1311       | 1.0 | 110.55 | S103            | TS90LB4  | 22000        | 9000           |
| 12.5        | 1338       | 1.0 | 74.18  | S103            | TS100LB6 | 22000        | 9000           |
| 12.4        | 1335       | 1.9 | 112.52 | S123            | TS90LB4  | 30000        | 11200          |
| 11.4        | 1463       | 1.7 | 123.33 | S123            | TS90LB4  | 30000        | 11200          |
| 10.7        | 1574       | 1.6 | 87.27  | S123            | TS100LB6 | 30000        | 11200          |
| 10.5        | 1587       | 1.6 | 133.78 | S123            | TS90LB4  | 30000        | 11200          |
| 9.2         | 1796       | 1.4 | 151.43 | S123            | TS90LB4  | 30000        | 11200          |

## 5.1 S GEARED MOTORS (50Hz)

## 1.85 kW

| n2 [rpm] | M2 [Nm] | fs  | i      | Gear reducer | Motor    | Fr2 D [N] | Fr2 C-L [N] |
|----------|---------|-----|--------|--------------|----------|-----------|-------------|
| 8.3      | 2029    | 1.3 | 112.52 | S123         | TS100LB6 | 30000     | 11200       |
| 7.9      | 2106    | 1.2 | 177.53 | S123         | TS90LB4  | 30000     | 11200       |
| 7.5      | 2224    | 1.2 | 123.33 | S123         | TS100LB6 | 30000     | 11200       |
| 7.2      | 2308    | 1.1 | 194.59 | S123         | TS90LB4  | 30000     | 11200       |
| 7.0      | 2413    | 1.1 | 133.78 | S123         | TS100LB6 | 30000     | 11200       |

## 2.20 kW

| n2 [rpm] | M2 [Nm] | fs  | i     | Gear reducer | Motor    | Fr2 D [N] | Fr2 C-L [N] |
|----------|---------|-----|-------|--------------|----------|-----------|-------------|
| 333.9    | 58      | Ex  | 8.63  | S052         | TH90L2   | 3100      | 3100        |
| 333.9    | 58      | Ex  | 8.63  | S052         | TP90L2   | 3100      | 3100        |
| 331.6    | 59      | Ex  | 8.63  | S052         | TS90L2   | 3106      | 3106        |
| 258.5    | 75      | Ex  | 11.14 | S052         | TH90L2   | 3304      | 3304        |
| 258.5    | 75      | Ex  | 11.14 | S052         | TP90L2   | 3304      | 3304        |
| 256.7    | 76      | Ex  | 11.14 | S052         | TS90L2   | 3310      | 3310        |
| 210.9    | 92      | Ex  | 13.66 | S052         | TH90L2   | 3466      | 3466        |
| 210.9    | 92      | Ex  | 13.66 | S052         | TP90L2   | 3466      | 3466        |
| 209.4    | 93      | Ex  | 13.66 | S052         | TS90L2   | 3471      | 3471        |
| 188.6    | 103     | Ex  | 15.27 | S052         | TH90L2   | 3553      | 3553        |
| 188.6    | 103     | Ex  | 15.27 | S052         | TP90L2   | 3553      | 3553        |
| 187.3    | 104     | Ex  | 15.27 | S052         | TS90L2   | 3558      | 3558        |
| 182.5    | 111     | 2.2 | 8.00  | S062         | TP112MR4 | 6516      | 2606        |
| 180.0    | 112     | 2.1 | 8.00  | S062         | TP100LA4 | 6539      | 2616        |
| 178.8    | 113     | 2.1 | 8.00  | S062         | TH100LA4 | 6551      | 2620        |
| 177.5    | 114     | 2.1 | 8.00  | S062         | TS100LA4 | 6563      | 2625        |
| 176.8    | 110     | Ex  | 16.29 | S052         | TH90L2   | 3602      | 3602        |
| 176.8    | 110     | Ex  | 16.29 | S052         | TP90L2   | 3602      | 3602        |
| 175.6    | 111     | Ex  | 16.29 | S052         | TS90L2   | 3607      | 3607        |
| 169.3    | 119     | 1.0 | 8.63  | S052         | TP112MR4 | 3611      | 3611        |
| 167.0    | 121     | 1.0 | 8.63  | S052         | TP100LA4 | 3621      | 3621        |
| 165.8    | 122     | 1.0 | 8.63  | S052         | TH100LA4 | 3626      | 3626        |
| 164.6    | 123     | 1.0 | 8.63  | S052         | TS100LA4 | 3631      | 3631        |
| 154.6    | 126     | Ex  | 18.63 | S052         | TH90L2   | 3702      | 3702        |
| 154.6    | 126     | Ex  | 18.63 | S052         | TP90L2   | 3702      | 3702        |
| 153.5    | 127     | Ex  | 18.63 | S052         | TS90L2   | 3708      | 3708        |
| 153.0    | 132     | 2.0 | 9.55  | S062         | TP112MR4 | 6814      | 2726        |
| 150.9    | 134     | 1.9 | 9.55  | S062         | TP100LA4 | 6837      | 2735        |
| 149.8    | 135     | 1.9 | 9.55  | S062         | TH100LA4 | 6849      | 2740        |
| 148.8    | 136     | 1.9 | 9.55  | S062         | TS100LA4 | 6861      | 2744        |
| 147.3    | 132     | Ex  | 19.55 | S062         | TH90L2   | 6908      | 2763        |
| 147.3    | 132     | Ex  | 19.55 | S062         | TP90L2   | 6908      | 2763        |

## 5.1 S GEARED MOTORS (50Hz)

## 2.20 kW

| n <sub>2</sub><br>[rpm] | M <sub>2</sub><br>[Nm] | f <sub>s</sub> | i     | Gear<br>reducer | Motor    | Fr <sub>2</sub><br>D [N] | Fr <sub>2</sub><br>C-L [N] |
|-------------------------|------------------------|----------------|-------|-----------------|----------|--------------------------|----------------------------|
| 146.3                   | 133                    | Ex             | 19.55 | S062            | TS90L2   | 6920                     | 2768                       |
| 136.9                   | 142                    | Ex             | 21.04 | S052            | TH90L2   | 3789                     | 3789                       |
| 136.9                   | 142                    | Ex             | 21.04 | S052            | TP90L2   | 3789                     | 3789                       |
| 136.0                   | 143                    | Ex             | 21.04 | S052            | TS90L2   | 3794                     | 3794                       |
| 130.8                   | 156                    | 2.5            | 7.34  | S082            | TH112M6  | 15160                    | 4332                       |
| 130.8                   | 156                    | 2.5            | 7.34  | S082            | TP112M6  | 15160                    | 4332                       |
| 129.3                   | 151                    | Ex             | 22.13 | S082            | TS90L2   | 15239                    | 4354                       |
| 126.7                   | 161                    | 2.5            | 7.34  | S082            | TS112MA6 | 15309                    | 4374                       |
| 124.7                   | 162                    | 1.7            | 11.71 | S062            | TP112MR4 | 7158                     | 2863                       |
| 124.3                   | 157                    | Ex             | 23.18 | S062            | TH90L2   | 7200                     | 2880                       |
| 124.3                   | 157                    | Ex             | 23.18 | S062            | TP90L2   | 7200                     | 2880                       |
| 123.4                   | 158                    | Ex             | 23.18 | S062            | TS90L2   | 7212                     | 2885                       |
| 123.0                   | 164                    | 1.7            | 11.71 | S062            | TP100LA4 | 7181                     | 2872                       |
| 122.1                   | 165                    | 1.7            | 11.71 | S062            | TH100LA4 | 7193                     | 2877                       |
| 121.3                   | 166                    | 1.7            | 11.71 | S062            | TS100LA4 | 7204                     | 2882                       |
| 120.0                   | 170                    | 1.4            | 8.00  | S062            | TH112M6  | 7211                     | 2885                       |
| 120.0                   | 170                    | 1.4            | 8.00  | S062            | TP112M6  | 7211                     | 2885                       |
| 120.0                   | 162                    | Ex             | 24.00 | S082            | TH90L2   | 15592                    | 4455                       |
| 120.0                   | 162                    | Ex             | 24.00 | S082            | TP90L2   | 15592                    | 4455                       |
| 119.7                   | 163                    | Ex             | 24.07 | S052            | TH90L2   | 3880                     | 3880                       |
| 119.7                   | 163                    | Ex             | 24.07 | S052            | TP90L2   | 3880                     | 3880                       |
| 119.2                   | 163                    | Ex             | 24.00 | S082            | TS90L2   | 15625                    | 4464                       |
| 119.1                   | 171                    | 2.5            | 8.06  | S082            | TH112M6  | 15604                    | 4458                       |
| 119.1                   | 171                    | 2.5            | 8.06  | S082            | TP112M6  | 15604                    | 4458                       |
| 118.8                   | 164                    | Ex             | 24.07 | S052            | TS90L2   | 3884                     | 3884                       |
| 116.3                   | 175                    | 1.4            | 8.00  | S062            | TS112MA6 | 7264                     | 2906                       |
| 115.3                   | 177                    | 2.4            | 8.06  | S082            | TS112MA6 | 15756                    | 4502                       |
| 114.5                   | 170                    | Ex             | 25.14 | S062            | TH90L2   | 7339                     | 2935                       |
| 114.5                   | 170                    | Ex             | 25.14 | S062            | TP90L2   | 7339                     | 2935                       |
| 113.8                   | 171                    | Ex             | 25.14 | S062            | TS90L2   | 7350                     | 2940                       |
| 111.7                   | 174                    | Ex             | 25.79 | S052            | TH90L2   | 3923                     | 3923                       |
| 111.7                   | 174                    | Ex             | 25.79 | S052            | TP90L2   | 3923                     | 3923                       |
| 110.9                   | 175                    | Ex             | 25.79 | S052            | TS90L2   | 3928                     | 3928                       |
| 109.3                   | 185                    | 1.6            | 13.36 | S062            | TP112MR4 | 7377                     | 2951                       |
| 107.8                   | 187                    | 1.6            | 13.36 | S062            | TP100LA4 | 7400                     | 2960                       |
| 107.1                   | 188                    | 1.6            | 13.36 | S062            | TH100LA4 | 7411                     | 2964                       |
| 106.3                   | 190                    | 1.6            | 13.36 | S062            | TS100LA4 | 7423                     | 2969                       |
| 105.5                   | 184                    | Ex             | 27.29 | S082            | TH90L2   | 16216                    | 4633                       |
| 105.5                   | 184                    | Ex             | 27.29 | S082            | TP90L2   | 16216                    | 4633                       |
| 104.8                   | 186                    | Ex             | 27.29 | S082            | TS90L2   | 16251                    | 4643                       |
| 104.1                   | 187                    | Ex             | 27.66 | S062            | TH90L2   | 7500                     | 3000                       |

## 5.1 S GEARED MOTORS (50Hz)

## 2.20 kW

| n2<br>[rpm] | M2<br>[Nm] | fs  | i     | Gear<br>reducer | Motor    | Fr2<br>D [N] | Fr2<br>C-L [N] |
|-------------|------------|-----|-------|-----------------|----------|--------------|----------------|
| 104.1       | 187        | Ex  | 27.66 | S062            | TP90L2   | 7500         | 3000           |
| 103.6       | 188        | Ex  | 27.81 | S052            | TH90L2   | 3969         | 3969           |
| 103.6       | 188        | Ex  | 27.81 | S052            | TP90L2   | 3969         | 3969           |
| 103.4       | 188        | Ex  | 27.66 | S062            | TS90L2   | 7511         | 3005           |
| 102.8       | 189        | Ex  | 27.81 | S052            | TS90L2   | 3973         | 3973           |
| 100.6       | 203        | 1.3 | 9.55  | S062            | TH112M6  | 7501         | 3000           |
| 100.6       | 203        | 1.3 | 9.55  | S062            | TP112M6  | 7501         | 3000           |
| 100.4       | 194        | Ex  | 28.67 | S082            | TH90L2   | 16463        | 4704           |
| 100.4       | 194        | Ex  | 28.67 | S082            | TP90L2   | 16463        | 4704           |
| 99.7        | 195        | Ex  | 28.67 | S082            | TS90L2   | 16498        | 4714           |
| 97.4        | 209        | 1.2 | 9.55  | S062            | TS112MA6 | 7552         | 3021           |
| 96.5        | 211        | 2.2 | 9.94  | S082            | TH112M6  | 16631        | 4752           |
| 96.5        | 211        | 2.2 | 9.94  | S082            | TP112M6  | 16631        | 4752           |
| 96.0        | 203        | Ex  | 30.00 | S062            | TH90L2   | 7636         | 3054           |
| 96.0        | 203        | Ex  | 30.00 | S062            | TP90L2   | 7636         | 3054           |
| 95.3        | 204        | Ex  | 30.00 | S062            | TS90L2   | 7647         | 3059           |
| 93.5        | 218        | 2.2 | 9.94  | S082            | TS112MA6 | 16791        | 4797           |
| 91.6        | 220        | 1.5 | 15.94 | S062            | TP112MR4 | 7664         | 3066           |
| 90.6        | 215        | Ex  | 31.78 | S082            | TH90L2   | 16984        | 4852           |
| 90.6        | 215        | Ex  | 31.78 | S082            | TP90L2   | 16984        | 4852           |
| 90.4        | 223        | 1.5 | 15.94 | S062            | TP100LA4 | 7686         | 3074           |
| 90.0        | 216        | Ex  | 31.78 | S082            | TS90L2   | 17019        | 4863           |
| 89.7        | 225        | 1.4 | 15.94 | S062            | TH100LA4 | 7697         | 3079           |
| 89.1        | 226        | 1.4 | 15.94 | S062            | TS100LA4 | 7708         | 3083           |
| 84.4        | 239        | 2.3 | 17.29 | S082            | TP112MR4 | 17324        | 4950           |
| 83.3        | 242        | 2.3 | 17.29 | S082            | TP100LA4 | 17396        | 4970           |
| 82.7        | 246        | 2.1 | 11.61 | S082            | TH112M6  | 17422        | 4978           |
| 82.7        | 246        | 2.1 | 11.61 | S082            | TP112M6  | 17422        | 4978           |
| 82.7        | 244        | 2.3 | 17.29 | S082            | TH100LA4 | 17432        | 4981           |
| 82.5        | 236        | Ex  | 34.91 | S082            | TH90L2   | 17472        | 4992           |
| 82.5        | 236        | Ex  | 34.91 | S082            | TP90L2   | 17472        | 4992           |
| 82.1        | 246        | 2.3 | 17.29 | S082            | TS100LA4 | 17469        | 4991           |
| 82.0        | 248        | 1.1 | 11.71 | S062            | TH112M6  | 7823         | 3129           |
| 82.0        | 248        | 1.1 | 11.71 | S062            | TP112M6  | 7823         | 3129           |
| 81.9        | 238        | Ex  | 34.91 | S082            | TS90L2   | 17508        | 5002           |
| 80.1        | 254        | 2.0 | 11.61 | S082            | TS112MA6 | 17588        | 5025           |
| 79.4        | 256        | 1.1 | 11.71 | S062            | TS112MA6 | 7871         | 3148           |
| 78.8        | 247        | Ex  | 36.57 | S062            | TH90L2   | 7957         | 3183           |
| 78.8        | 247        | Ex  | 36.57 | S062            | TP90L2   | 7957         | 3183           |
| 78.2        | 249        | Ex  | 36.57 | S062            | TS90L2   | 7968         | 3187           |
| 75.3        | 271        | 2.0 | 12.75 | S082            | TH112M6  | 17917        | 5119           |

## 5.1 S GEARED MOTORS (50Hz)

## 2.20 kW

| n2<br>[rpm] | M2<br>[Nm] | fs  | i     | Gear<br>reducer | Motor    | Fr2<br>D [N] | Fr2<br>C-L [N] |
|-------------|------------|-----|-------|-----------------|----------|--------------|----------------|
| 75.3        | 271        | 2.0 | 12.75 | S082            | TP112M6  | 17917        | 5119           |
| 75.3        | 271        | 2.7 | 12.75 | S102            | TH112M6  | 22000        | 6338           |
| 75.3        | 271        | 2.7 | 12.75 | S102            | TP112M6  | 22000        | 6338           |
| 74.7        | 270        | 1.2 | 19.55 | S062            | TP112MR4 | 7980         | 3192           |
| 73.7        | 274        | 1.2 | 19.55 | S062            | TP100LA4 | 8000         | 3200           |
| 73.1        | 276        | 1.2 | 19.55 | S062            | TH100LA4 | 8010         | 3204           |
| 73.1        | 266        | Ex  | 39.38 | S062            | TH90L2   | 8072         | 3229           |
| 73.1        | 266        | Ex  | 39.38 | S062            | TP90L2   | 8072         | 3229           |
| 72.9        | 279        | 1.9 | 12.75 | S082            | TS112MA6 | 18000        | 5167           |
| 72.9        | 279        | 2.6 | 12.75 | S102            | TS112MA6 | 22000        | 6400           |
| 72.6        | 278        | 1.2 | 19.55 | S062            | TS100LA4 | 8021         | 3208           |
| 72.6        | 268        | Ex  | 39.38 | S062            | TS90L2   | 8082         | 3233           |
| 72.5        | 278        | 2.0 | 20.14 | S082            | TP112MR4 | 18000        | 5179           |
| 71.9        | 283        | 1.1 | 13.36 | S062            | TH112M6  | 8018         | 3207           |
| 71.9        | 283        | 1.1 | 13.36 | S062            | TP112M6  | 8018         | 3207           |
| 71.9        | 271        | Ex  | 40.05 | S082            | TH90L2   | 18000        | 5201           |
| 71.9        | 271        | Ex  | 40.05 | S082            | TP90L2   | 18000        | 5201           |
| 71.5        | 282        | 2.0 | 20.14 | S082            | TP100LA4 | 18000        | 5201           |
| 71.4        | 273        | Ex  | 40.05 | S082            | TS90L2   | 18000        | 5212           |
| 71.0        | 284        | 2.0 | 20.14 | S082            | TH100LA4 | 18000        | 5211           |
| 70.5        | 286        | 1.9 | 20.14 | S082            | TS100LA4 | 18000        | 5222           |
| 69.6        | 293        | 1.0 | 13.36 | S062            | TS112MA6 | 8064         | 3225           |
| 66.9        | 291        | Ex  | 43.05 | S082            | TH90L2   | 18000        | 5314           |
| 66.9        | 291        | Ex  | 43.05 | S082            | TP90L2   | 18000        | 5314           |
| 66.4        | 293        | Ex  | 43.05 | S082            | TS90L2   | 18000        | 5325           |
| 66.0        | 295        | Ex  | 43.64 | S062            | TH90L2   | 8226         | 3290           |
| 66.0        | 295        | Ex  | 43.64 | S062            | TP90L2   | 8226         | 3290           |
| 66.0        | 306        | 1.9 | 22.13 | S082            | TP112MR4 | 18000        | 5325           |
| 65.5        | 297        | Ex  | 43.64 | S062            | TS90L2   | 8236         | 3294           |
| 65.1        | 310        | 1.9 | 22.13 | S082            | TP100LA4 | 18000        | 5347           |
| 64.6        | 312        | 1.8 | 22.13 | S082            | TH100LA4 | 18000        | 5358           |
| 64.2        | 314        | 1.8 | 22.13 | S082            | TS100LA4 | 18000        | 5369           |
| 63.0        | 320        | 1.1 | 23.18 | S062            | TP112MR4 | 8222         | 3289           |
| 62.5        | 312        | Ex  | 46.10 | S062            | TH90L2   | 8304         | 3322           |
| 62.5        | 312        | Ex  | 46.10 | S062            | TP90L2   | 8304         | 3322           |
| 62.1        | 325        | 1.0 | 23.18 | S062            | TP100LA4 | 8240         | 3296           |
| 62.0        | 314        | Ex  | 46.10 | S062            | TS90L2   | 8314         | 3326           |
| 61.7        | 327        | 1.0 | 23.18 | S062            | TH100LA4 | 8250         | 3300           |
| 61.3        | 329        | 1.0 | 23.18 | S062            | TS100LA4 | 8259         | 3304           |
| 60.8        | 332        | 1.7 | 24.00 | S082            | TP112MR4 | 18000        | 5454           |
| 60.0        | 336        | 1.7 | 24.00 | S082            | TP100LA4 | 18000        | 5476           |

## 5.1 S GEARED MOTORS (50Hz)

## 2.20 kW

| n2<br>[rpm] | M2<br>[Nm] | fs  | i     | Gear<br>reducer | Motor    | Fr2<br>D [N] | Fr2<br>C-L [N] |
|-------------|------------|-----|-------|-----------------|----------|--------------|----------------|
| 59.6        | 339        | 1.7 | 24.00 | S082            | TH100LA4 | 18000        | 5487           |
| 59.2        | 341        | 1.7 | 24.00 | S082            | TS100LA4 | 18000        | 5498           |
| 57.3        | 340        | Ex  | 50.25 | S082            | TH90L2   | 18000        | 5560           |
| 57.3        | 340        | Ex  | 50.25 | S082            | TP90L2   | 18000        | 5560           |
| 56.9        | 342        | Ex  | 50.25 | S082            | TS90L2   | 18000        | 5572           |
| 55.8        | 365        | 2.6 | 17.21 | S102            | TH112M6  | 22000        | 6948           |
| 55.8        | 365        | 2.6 | 17.21 | S102            | TP112M6  | 22000        | 6948           |
| 55.5        | 367        | 1.5 | 17.29 | S082            | TH112M6  | 18000        | 5597           |
| 55.5        | 367        | 1.5 | 17.29 | S082            | TP112M6  | 18000        | 5597           |
| 54.0        | 377        | 2.5 | 17.21 | S102            | TS112MA6 | 22000        | 7016           |
| 53.8        | 362        | Ex  | 53.53 | S062            | TH90L2   | 8506         | 3402           |
| 53.8        | 362        | Ex  | 53.53 | S062            | TP90L2   | 8506         | 3402           |
| 53.8        | 379        | 1.5 | 17.29 | S082            | TS112MA6 | 18000        | 5649           |
| 53.5        | 377        | 1.7 | 27.29 | S082            | TP112MR4 | 18000        | 5660           |
| 53.4        | 364        | Ex  | 53.53 | S062            | TS90L2   | 8515         | 3406           |
| 53.1        | 367        | Ex  | 54.27 | S082            | TH90L2   | 18000        | 5686           |
| 53.1        | 367        | Ex  | 54.27 | S082            | TP90L2   | 18000        | 5686           |
| 52.8        | 382        | 1.7 | 27.29 | S082            | TP100LA4 | 18000        | 5683           |
| 52.7        | 369        | Ex  | 54.27 | S082            | TS90L2   | 18000        | 5698           |
| 52.4        | 372        | Ex  | 55.00 | S062            | TH90L2   | 8540         | 3416           |
| 52.4        | 372        | Ex  | 55.00 | S062            | TP90L2   | 8540         | 3416           |
| 52.4        | 385        | 1.7 | 27.29 | S082            | TH100LA4 | 18000        | 5694           |
| 52.0        | 374        | Ex  | 55.00 | S062            | TS90L2   | 8549         | 3419           |
| 52.0        | 388        | 1.7 | 27.29 | S082            | TS100LA4 | 18000        | 5706           |
| 50.9        | 396        | 1.6 | 28.67 | S082            | TP112MR4 | 18000        | 5741           |
| 50.5        | 403        | 2.5 | 19.00 | S102            | TH112M6  | 22000        | 7159           |
| 50.5        | 403        | 2.5 | 19.00 | S102            | TP112M6  | 22000        | 7159           |
| 50.2        | 402        | 1.6 | 28.67 | S082            | TP100LA4 | 18000        | 5764           |
| 49.9        | 404        | 1.6 | 28.67 | S082            | TH100LA4 | 18000        | 5776           |
| 49.5        | 407        | 1.6 | 28.67 | S082            | TS100LA4 | 18000        | 5787           |
| 48.9        | 413        | 2.6 | 29.87 | S102            | TP112MR4 | 22000        | 7234           |
| 48.9        | 416        | 2.4 | 19.00 | S102            | TS112MA6 | 22000        | 7228           |
| 48.2        | 418        | 2.6 | 29.87 | S102            | TP100LA4 | 22000        | 7265           |
| 47.9        | 421        | 2.6 | 29.87 | S102            | TH100LA4 | 22000        | 7280           |
| 47.7        | 427        | 1.3 | 20.14 | S082            | TH112M6  | 18000        | 5847           |
| 47.7        | 427        | 1.3 | 20.14 | S082            | TP112M6  | 18000        | 5847           |
| 47.5        | 424        | 2.5 | 29.87 | S102            | TS100LA4 | 22000        | 7295           |
| 46.5        | 419        | Ex  | 61.98 | S082            | TH90L2   | 18000        | 5907           |
| 46.5        | 419        | Ex  | 61.98 | S082            | TP90L2   | 18000        | 5907           |
| 46.2        | 441        | 1.3 | 20.14 | S082            | TS112MA6 | 18000        | 5900           |
| 46.1        | 422        | Ex  | 61.98 | S082            | TS90L2   | 18000        | 5919           |



## 5.1 S GEARED MOTORS (50Hz)

## 2.20 kW

| n <sub>2</sub><br>[rpm] | M <sub>2</sub><br>[Nm] | f <sub>s</sub> | i     | Gear<br>reducer | Motor    | Fr <sub>2</sub><br>D [N] | Fr <sub>2</sub><br>C-L [N] |
|-------------------------|------------------------|----------------|-------|-----------------|----------|--------------------------|----------------------------|
| 45.9                    | 439                    | 1.9            | 31.78 | S082            | TP112MR4 | 18000                    | 5912                       |
| 45.3                    | 445                    | 1.9            | 31.78 | S082            | TP100LA4 | 18000                    | 5935                       |
| 45.1                    | 448                    | 2.9            | 32.40 | S102            | TP112MR4 | 22000                    | 7414                       |
| 45.0                    | 448                    | 1.9            | 31.78 | S082            | TH100LA4 | 18000                    | 5947                       |
| 44.7                    | 451                    | 1.9            | 31.78 | S082            | TS100LA4 | 18000                    | 5959                       |
| 44.4                    | 454                    | 2.8            | 32.40 | S102            | TP100LA4 | 22000                    | 7444                       |
| 44.1                    | 457                    | 2.8            | 32.40 | S102            | TH100LA4 | 22000                    | 7460                       |
| 43.8                    | 460                    | 2.8            | 32.40 | S102            | TS100LA4 | 22000                    | 7476                       |
| 43.4                    | 469                    | 1.2            | 22.13 | S082            | TH112M6  | 18000                    | 6004                       |
| 43.4                    | 469                    | 1.2            | 22.13 | S082            | TP112M6  | 18000                    | 6004                       |
| 43.4                    | 469                    | 2.2            | 22.13 | S102            | TH112M6  | 22000                    | 7495                       |
| 43.4                    | 469                    | 2.2            | 22.13 | S102            | TP112M6  | 22000                    | 7495                       |
| 42.7                    | 447                    | Ex             | 67.52 | S083            | TH90L2   | 18000                    | 6062                       |
| 42.7                    | 447                    | Ex             | 67.52 | S083            | TP90L2   | 18000                    | 6062                       |
| 42.4                    | 450                    | Ex             | 67.52 | S083            | TS90L2   | 18000                    | 6074                       |
| 42.0                    | 485                    | 1.2            | 22.13 | S082            | TS112MA6 | 18000                    | 6058                       |
| 42.0                    | 485                    | 2.1            | 22.13 | S102            | TS112MA6 | 22000                    | 7566                       |
| 41.8                    | 482                    | 1.8            | 34.91 | S082            | TP112MR4 | 18000                    | 6071                       |
| 41.8                    | 482                    | 2.5            | 34.91 | S102            | TP112MR4 | 22000                    | 7581                       |
| 41.3                    | 489                    | 1.7            | 34.91 | S082            | TP100LA4 | 18000                    | 6094                       |
| 41.3                    | 489                    | 2.4            | 34.91 | S102            | TP100LA4 | 22000                    | 7612                       |
| 41.0                    | 492                    | 1.7            | 34.91 | S082            | TH100LA4 | 18000                    | 6106                       |
| 41.0                    | 492                    | 2.4            | 34.91 | S102            | TH100LA4 | 22000                    | 7628                       |
| 40.7                    | 496                    | 1.7            | 34.91 | S082            | TS100LA4 | 18000                    | 6118                       |
| 40.7                    | 496                    | 2.4            | 34.91 | S102            | TS100LA4 | 22000                    | 7644                       |
| 40.0                    | 509                    | 1.1            | 24.00 | S082            | TH112M6  | 18000                    | 6142                       |
| 40.0                    | 509                    | 1.1            | 24.00 | S082            | TP112M6  | 18000                    | 6142                       |
| 39.9                    | 505                    | 1.0            | 36.57 | S062            | TP112MR4 | 8714                     | 3486                       |
| 39.5                    | 515                    | 2.1            | 24.28 | S102            | TH112M6  | 22000                    | 7705                       |
| 39.5                    | 515                    | 2.1            | 24.28 | S102            | TP112M6  | 22000                    | 7705                       |
| 38.8                    | 526                    | 1.1            | 24.00 | S082            | TS112MA6 | 18000                    | 6196                       |
| 38.8                    | 491                    | Ex             | 74.18 | S083            | TH90L2   | 18000                    | 6225                       |
| 38.8                    | 491                    | Ex             | 74.18 | S083            | TP90L2   | 18000                    | 6225                       |
| 38.6                    | 494                    | Ex             | 74.18 | S083            | TS90L2   | 18000                    | 6237                       |
| 38.3                    | 532                    | 2.0            | 24.28 | S102            | TS112MA6 | 22000                    | 7777                       |
| 38.1                    | 529                    | 2.4            | 38.30 | S102            | TP112MR4 | 22000                    | 7793                       |
| 37.6                    | 536                    | 2.4            | 38.30 | S102            | TP100LA4 | 22000                    | 7825                       |
| 37.3                    | 540                    | 2.4            | 38.30 | S102            | TH100LA4 | 22000                    | 7841                       |
| 37.1                    | 544                    | 2.4            | 38.30 | S102            | TS100LA4 | 22000                    | 7857                       |
| 36.5                    | 553                    | 1.5            | 40.05 | S082            | TP112MR4 | 18000                    | 6307                       |
| 36.5                    | 559                    | 1.9            | 26.33 | S102            | TH112M6  | 22000                    | 7892                       |

## 5.1 S GEARED MOTORS (50Hz)

## 2.20 kW

| n2<br>[rpm] | M2<br>[Nm] | fs  | i     | Gear<br>reducer | Motor    | Fr2<br>D [N] | Fr2<br>C-L [N] |
|-------------|------------|-----|-------|-----------------|----------|--------------|----------------|
| 36.5        | 559        | 1.9 | 26.33 | S102            | TP112M6  | 22000        | 7892           |
| 36.0        | 561        | 1.5 | 40.05 | S082            | TP100LA4 | 18000        | 6331           |
| 35.7        | 565        | 1.5 | 40.05 | S082            | TH100LA4 | 18000        | 6343           |
| 35.5        | 569        | 1.5 | 40.05 | S082            | TS100LA4 | 18000        | 6355           |
| 35.3        | 577        | 1.9 | 26.33 | S102            | TS112MA6 | 22000        | 7966           |
| 35.2        | 579        | 1.1 | 27.29 | S082            | TH112M6  | 18000        | 6363           |
| 35.2        | 579        | 1.1 | 27.29 | S082            | TP112M6  | 18000        | 6363           |
| 34.1        | 598        | 1.1 | 27.29 | S082            | TS112MA6 | 18000        | 6418           |
| 33.9        | 595        | 1.4 | 43.05 | S082            | TP112MR4 | 18000        | 6433           |
| 33.5        | 608        | 1.1 | 28.67 | S082            | TH112M6  | 18000        | 6449           |
| 33.5        | 608        | 1.1 | 28.67 | S082            | TP112M6  | 18000        | 6449           |
| 33.4        | 603        | 1.4 | 43.05 | S082            | TP100LA4 | 18000        | 6457           |
| 33.2        | 607        | 1.4 | 43.05 | S082            | TH100LA4 | 18000        | 6469           |
| 33.2        | 608        | 1.8 | 44.00 | S102            | TP112MR4 | 22000        | 8118           |
| 33.0        | 612        | 1.4 | 43.05 | S082            | TS100LA4 | 18000        | 6481           |
| 32.7        | 616        | 1.8 | 44.00 | S102            | TP100LA4 | 22000        | 8151           |
| 32.5        | 621        | 1.8 | 44.00 | S102            | TH100LA4 | 22000        | 8167           |
| 32.4        | 628        | 1.0 | 28.67 | S082            | TS112MA6 | 18000        | 6505           |
| 32.3        | 625        | 1.8 | 44.00 | S102            | TS100LA4 | 22000        | 8184           |
| 32.1        | 634        | 1.7 | 29.87 | S102            | TH112M6  | 22000        | 8189           |
| 32.1        | 634        | 1.7 | 29.87 | S102            | TP112M6  | 22000        | 8189           |
| 31.5        | 605        | Ex  | 91.49 | S083            | TH90L2   | 18000        | 6596           |
| 31.5        | 605        | Ex  | 91.49 | S083            | TP90L2   | 18000        | 6596           |
| 31.3        | 610        | Ex  | 91.49 | S083            | TS90L2   | 18000        | 6609           |
| 31.1        | 654        | 1.7 | 29.87 | S102            | TS112MA6 | 22000        | 8265           |
| 31.0        | 651        | 2.1 | 47.13 | S102            | TP112MR4 | 22000        | 8282           |
| 30.6        | 660        | 2.1 | 47.13 | S102            | TP100LA4 | 22000        | 8315           |
| 30.3        | 665        | 2.1 | 47.13 | S102            | TH100LA4 | 22000        | 8332           |
| 30.2        | 674        | 1.3 | 31.78 | S082            | TH112M6  | 18000        | 6630           |
| 30.2        | 674        | 1.3 | 31.78 | S082            | TP112M6  | 18000        | 6630           |
| 30.1        | 669        | 2.0 | 47.13 | S102            | TS100LA4 | 22000        | 8349           |
| 29.8        | 677        | 3.0 | 49.04 | S122            | TP112MR4 | 30000        | 11200          |
| 29.6        | 688        | 1.9 | 32.40 | S102            | TH112M6  | 22000        | 8385           |
| 29.6        | 688        | 1.9 | 32.40 | S102            | TP112M6  | 22000        | 8385           |
| 29.4        | 687        | 3.0 | 49.04 | S122            | TP100LA4 | 30000        | 11200          |
| 29.3        | 696        | 1.2 | 31.78 | S082            | TS112MA6 | 18000        | 6686           |
| 29.2        | 692        | 3.0 | 49.04 | S122            | TH100LA4 | 30000        | 11200          |
| 29.1        | 694        | 1.2 | 50.25 | S082            | TP112MR4 | 18000        | 6705           |
| 29.0        | 697        | 2.9 | 49.04 | S122            | TS100LA4 | 30000        | 11200          |
| 28.7        | 704        | 1.2 | 50.25 | S082            | TP100LA4 | 18000        | 6730           |
| 28.7        | 710        | 1.8 | 32.40 | S102            | TS112MA6 | 22000        | 8462           |

## 5.1 S GEARED MOTORS (50Hz)

## 2.20 kW

| n <sub>2</sub><br>[rpm] | M <sub>2</sub><br>[Nm] | f <sub>s</sub> | i     | Gear<br>reducer | Motor    | Fr <sub>2</sub><br>D [N] | Fr <sub>2</sub><br>C-L [N] |
|-------------------------|------------------------|----------------|-------|-----------------|----------|--------------------------|----------------------------|
| 28.5                    | 709                    | 1.2            | 50.25 | S082            | TH100LA4 | 18000                    | 6742                       |
| 28.3                    | 714                    | 1.2            | 50.25 | S082            | TS100LA4 | 18000                    | 6755                       |
| 27.5                    | 741                    | 1.1            | 34.91 | S082            | TH112M6  | 18000                    | 6796                       |
| 27.5                    | 741                    | 1.1            | 34.91 | S082            | TP112M6  | 18000                    | 6796                       |
| 27.5                    | 741                    | 1.6            | 34.91 | S102            | TH112M6  | 22000                    | 8567                       |
| 27.5                    | 741                    | 1.6            | 34.91 | S102            | TP112M6  | 22000                    | 8567                       |
| 27.2                    | 743                    | 3.0            | 53.75 | S122            | TP112MR4 | 30000                    | 11200                      |
| 26.9                    | 750                    | 1.1            | 54.27 | S082            | TP112MR4 | 18000                    | 6842                       |
| 26.8                    | 753                    | 2.9            | 53.75 | S122            | TP100LA4 | 30000                    | 11200                      |
| 26.6                    | 765                    | 1.1            | 34.91 | S082            | TS112MA6 | 18000                    | 6853                       |
| 26.6                    | 765                    | 1.6            | 34.91 | S102            | TS112MA6 | 22000                    | 8645                       |
| 26.6                    | 758                    | 2.9            | 53.75 | S122            | TH100LA4 | 30000                    | 11200                      |
| 26.5                    | 760                    | 1.1            | 54.27 | S082            | TP100LA4 | 18000                    | 6867                       |
| 26.5                    | 762                    | 1.5            | 55.14 | S102            | TP112MR4 | 22000                    | 8666                       |
| 26.4                    | 765                    | 1.1            | 54.27 | S082            | TH100LA4 | 18000                    | 6879                       |
| 26.4                    | 763                    | 2.9            | 53.75 | S122            | TS100LA4 | 30000                    | 11200                      |
| 26.2                    | 771                    | 1.1            | 54.27 | S082            | TS100LA4 | 18000                    | 6892                       |
| 26.1                    | 772                    | 1.4            | 55.14 | S102            | TP100LA4 | 22000                    | 8700                       |
| 25.9                    | 778                    | 1.4            | 55.14 | S102            | TH100LA4 | 22000                    | 8718                       |
| 25.8                    | 783                    | 1.4            | 55.14 | S102            | TS100LA4 | 22000                    | 8735                       |
| 25.1                    | 813                    | 1.6            | 38.30 | S102            | TH112M6  | 22000                    | 8797                       |
| 25.1                    | 813                    | 1.6            | 38.30 | S102            | TP112M6  | 22000                    | 8797                       |
| 24.6                    | 821                    | 1.7            | 59.40 | S102            | TP112MR4 | 22000                    | 8852                       |
| 24.3                    | 839                    | 1.5            | 38.30 | S102            | TS112MA6 | 22000                    | 8877                       |
| 24.2                    | 832                    | 1.6            | 59.40 | S102            | TP100LA4 | 22000                    | 8887                       |
| 24.1                    | 838                    | 1.6            | 59.40 | S102            | TH100LA4 | 22000                    | 8904                       |
| 24.0                    | 850                    | 1.0            | 40.05 | S082            | TH112M6  | 18000                    | 7041                       |
| 24.0                    | 850                    | 1.0            | 40.05 | S082            | TP112M6  | 18000                    | 7041                       |
| 23.9                    | 844                    | 1.6            | 59.40 | S102            | TS100LA4 | 22000                    | 8922                       |
| 23.4                    | 871                    | 2.9            | 41.07 | S122            | TH112M6  | 30000                    | 11200                      |
| 23.4                    | 871                    | 2.9            | 41.07 | S122            | TP112M6  | 30000                    | 11200                      |
| 22.6                    | 900                    | 2.8            | 41.07 | S122            | TS112MA6 | 30000                    | 11200                      |
| 22.1                    | 912                    | 2.8            | 66.00 | S122            | TP112MR4 | 30000                    | 11200                      |
| 22.0                    | 925                    | 2.8            | 43.60 | S122            | TH112M6  | 30000                    | 11200                      |
| 22.0                    | 925                    | 2.8            | 43.60 | S122            | TP112M6  | 30000                    | 11200                      |
| 21.8                    | 934                    | 1.2            | 44.00 | S102            | TH112M6  | 22000                    | 9000                       |
| 21.8                    | 934                    | 1.2            | 44.00 | S102            | TP112M6  | 22000                    | 9000                       |
| 21.8                    | 924                    | 2.8            | 66.00 | S122            | TP100LA4 | 30000                    | 11200                      |
| 21.7                    | 931                    | 2.8            | 66.00 | S122            | TH100LA4 | 30000                    | 11200                      |
| 21.5                    | 937                    | 1.5            | 67.84 | S102            | TP112MR4 | 22000                    | 9000                       |
| 21.5                    | 937                    | 2.7            | 66.00 | S122            | TS100LA4 | 30000                    | 11200                      |

## 5.1 S GEARED MOTORS (50Hz)

## 2.20 kW

| n <sub>2</sub><br>[rpm] | M <sub>2</sub><br>[Nm] | f <sub>s</sub> | i      | Gear<br>reducer | Motor    | Fr <sub>2</sub><br>D [N] | Fr <sub>2</sub><br>C-L [N] |
|-------------------------|------------------------|----------------|--------|-----------------|----------|--------------------------|----------------------------|
| 21.3                    | 955                    | 2.7            | 43.60  | S122            | TS112MA6 | 30000                    | 11200                      |
| 21.2                    | 950                    | 1.4            | 67.84  | S102            | TP100LA4 | 22000                    | 9000                       |
| 21.1                    | 957                    | 1.4            | 67.84  | S102            | TH100LA4 | 22000                    | 9000                       |
| 21.1                    | 964                    | 1.2            | 44.00  | S102            | TS112MA6 | 22000                    | 9000                       |
| 20.9                    | 964                    | 1.4            | 67.84  | S102            | TS100LA4 | 22000                    | 9000                       |
| 20.5                    | 961                    | 2.4            | 71.07  | S123            | TP112MR4 | 30000                    | 11200                      |
| 20.4                    | 1000                   | 1.4            | 47.13  | S102            | TH112M6  | 22000                    | 9000                       |
| 20.4                    | 1000                   | 1.4            | 47.13  | S102            | TP112M6  | 22000                    | 9000                       |
| 20.3                    | 975                    | 2.4            | 71.07  | S123            | TP100LA4 | 30000                    | 11200                      |
| 20.1                    | 982                    | 2.3            | 71.07  | S123            | TH100LA4 | 30000                    | 11200                      |
| 20.0                    | 988                    | 2.3            | 71.07  | S123            | TS100LA4 | 30000                    | 11200                      |
| 19.7                    | 1032                   | 1.3            | 47.13  | S102            | TS112MA6 | 22000                    | 9000                       |
| 19.7                    | 1003                   | 1.4            | 74.18  | S103            | TP112MR4 | 22000                    | 9000                       |
| 19.6                    | 1041                   | 2.0            | 49.04  | S122            | TH112M6  | 30000                    | 11200                      |
| 19.6                    | 1041                   | 2.0            | 49.04  | S122            | TP112M6  | 30000                    | 11200                      |
| 19.4                    | 1017                   | 1.3            | 74.18  | S103            | TP100LA4 | 22000                    | 9000                       |
| 19.3                    | 1025                   | 1.3            | 74.18  | S103            | TH100LA4 | 22000                    | 9000                       |
| 19.1                    | 1032                   | 1.3            | 74.18  | S103            | TS100LA4 | 22000                    | 9000                       |
| 19.0                    | 1074                   | 1.9            | 49.04  | S122            | TS112MA6 | 30000                    | 11200                      |
| 17.9                    | 1101                   | 1.2            | 81.39  | S103            | TP112MR4 | 22000                    | 9000                       |
| 17.9                    | 1141                   | 1.9            | 53.75  | S122            | TH112M6  | 30000                    | 11200                      |
| 17.9                    | 1141                   | 1.9            | 53.75  | S122            | TP112M6  | 30000                    | 11200                      |
| 17.7                    | 1116                   | 1.2            | 81.39  | S103            | TP100LA4 | 22000                    | 9000                       |
| 17.6                    | 1124                   | 1.2            | 81.39  | S103            | TH100LA4 | 22000                    | 9000                       |
| 17.4                    | 1132                   | 1.2            | 81.39  | S103            | TS100LA4 | 22000                    | 9000                       |
| 17.3                    | 1177                   | 1.9            | 53.75  | S122            | TS112MA6 | 30000                    | 11200                      |
| 16.7                    | 1180                   | 2.2            | 87.27  | S123            | TP112MR4 | 30000                    | 11200                      |
| 16.5                    | 1197                   | 2.1            | 87.27  | S123            | TP100LA4 | 30000                    | 11200                      |
| 16.4                    | 1205                   | 2.1            | 87.27  | S123            | TH100LA4 | 30000                    | 11200                      |
| 16.3                    | 1214                   | 2.1            | 87.27  | S123            | TS100LA4 | 30000                    | 11200                      |
| 16.2                    | 1260                   | 1.1            | 59.40  | S102            | TH112M6  | 22000                    | 9000                       |
| 16.2                    | 1260                   | 1.1            | 59.40  | S102            | TP112M6  | 22000                    | 9000                       |
| 15.7                    | 1301                   | 1.0            | 59.40  | S102            | TS112MA6 | 22000                    | 9000                       |
| 14.6                    | 1355                   | 1.0            | 100.15 | S103            | TP112MR4 | 22000                    | 9000                       |
| 14.5                    | 1401                   | 1.8            | 66.00  | S122            | TH112M6  | 30000                    | 11200                      |
| 14.5                    | 1401                   | 1.8            | 66.00  | S122            | TP112M6  | 30000                    | 11200                      |
| 14.1                    | 1446                   | 1.8            | 66.00  | S122            | TS112MA6 | 30000                    | 11200                      |
| 13.5                    | 1477                   | 1.6            | 71.07  | S123            | TH112M6  | 30000                    | 11200                      |
| 13.5                    | 1477                   | 1.6            | 71.07  | S123            | TP112M6  | 30000                    | 11200                      |
| 13.1                    | 1524                   | 1.5            | 71.07  | S123            | TS112MA6 | 30000                    | 11200                      |
| 13.0                    | 1522                   | 1.7            | 112.52 | S123            | TP112MR4 | 30000                    | 11200                      |

## 5.1 S GEARED MOTORS (50Hz)

## 2.20 kW

| n <sub>2</sub><br>[rpm] | M <sub>2</sub><br>[Nm] | f <sub>s</sub> | i      | Gear<br>reducer | Motor    | Fr <sub>2</sub><br>D [N] | Fr <sub>2</sub><br>C-L [N] |
|-------------------------|------------------------|----------------|--------|-----------------|----------|--------------------------|----------------------------|
| 12.8                    | 1543                   | 1.7            | 112.52 | S123            | TP100LA4 | 30000                    | 11200                      |
| 12.7                    | 1554                   | 1.6            | 112.52 | S123            | TH100LA4 | 30000                    | 11200                      |
| 12.6                    | 1565                   | 1.6            | 112.52 | S123            | TS100LA4 | 30000                    | 11200                      |
| 11.8                    | 1668                   | 1.5            | 123.33 | S123            | TP112MR4 | 30000                    | 11200                      |
| 11.7                    | 1691                   | 1.5            | 123.33 | S123            | TP100LA4 | 30000                    | 11200                      |
| 11.6                    | 1703                   | 1.5            | 123.33 | S123            | TH100LA4 | 30000                    | 11200                      |
| 11.5                    | 1715                   | 1.5            | 123.33 | S123            | TS100LA4 | 30000                    | 11200                      |
| 11.0                    | 1813                   | 1.4            | 87.27  | S123            | TH112M6  | 30000                    | 11200                      |
| 11.0                    | 1813                   | 1.4            | 87.27  | S123            | TP112M6  | 30000                    | 11200                      |
| 10.9                    | 1810                   | 1.4            | 133.78 | S123            | TP112MR4 | 30000                    | 11200                      |
| 10.8                    | 1835                   | 1.4            | 133.78 | S123            | TP100LA4 | 30000                    | 11200                      |
| 10.7                    | 1872                   | 1.4            | 87.27  | S123            | TS112MA6 | 30000                    | 11200                      |
| 10.7                    | 1848                   | 1.4            | 133.78 | S123            | TH100LA4 | 30000                    | 11200                      |
| 10.6                    | 1861                   | 1.4            | 133.78 | S123            | TS100LA4 | 30000                    | 11200                      |
| 9.6                     | 2048                   | 1.2            | 151.43 | S123            | TP112MR4 | 30000                    | 11200                      |
| 9.5                     | 2077                   | 1.2            | 151.43 | S123            | TP100LA4 | 30000                    | 11200                      |
| 9.4                     | 2091                   | 1.2            | 151.43 | S123            | TH100LA4 | 30000                    | 11200                      |
| 9.4                     | 2106                   | 1.2            | 151.43 | S123            | TS100LA4 | 30000                    | 11200                      |
| 8.5                     | 2338                   | 1.1            | 112.52 | S123            | TH112M6  | 30000                    | 11200                      |
| 8.5                     | 2338                   | 1.1            | 112.52 | S123            | TP112M6  | 30000                    | 11200                      |
| 8.3                     | 2413                   | 1.1            | 112.52 | S123            | TS112MA6 | 30000                    | 11200                      |
| 8.2                     | 2401                   | 1.1            | 177.53 | S123            | TP112MR4 | 30000                    | 11200                      |
| 8.1                     | 2452                   | 1.0            | 177.53 | S123            | TH100LA4 | 30000                    | 11200                      |
| 8.1                     | 2435                   | 1.1            | 177.53 | S123            | TP100LA4 | 30000                    | 11200                      |
| 8.0                     | 2469                   | 1.0            | 177.53 | S123            | TS100LA4 | 30000                    | 11200                      |

## 3.00 kW

| n <sub>2</sub><br>[rpm] | M <sub>2</sub><br>[Nm] | f <sub>s</sub> | i     | Gear<br>reducer | Motor    | Fr <sub>2</sub><br>D [N] | Fr <sub>2</sub><br>C-L [N] |
|-------------------------|------------------------|----------------|-------|-----------------|----------|--------------------------|----------------------------|
| 336.2                   | 79                     | Ex             | 8.63  | S052            | TH100L2  | 2972                     | 2972                       |
| 336.2                   | 79                     | Ex             | 8.63  | S052            | TP100L2  | 2972                     | 2972                       |
| 332.8                   | 80                     | Ex             | 8.63  | S052            | TS100LA2 | 2979                     | 2979                       |
| 260.3                   | 102                    | Ex             | 11.14 | S052            | TH100L2  | 3141                     | 3141                       |
| 260.3                   | 102                    | Ex             | 11.14 | S052            | TP100L2  | 3141                     | 3141                       |
| 257.6                   | 103                    | Ex             | 11.14 | S052            | TS100LA2 | 3148                     | 3148                       |
| 212.4                   | 125                    | Ex             | 13.66 | S052            | TH100L2  | 3267                     | 3267                       |
| 212.4                   | 125                    | Ex             | 13.66 | S052            | TP100L2  | 3267                     | 3267                       |
| 210.2                   | 126                    | Ex             | 13.66 | S052            | TS100LA2 | 3273                     | 3273                       |
| 197.6                   | 139                    | 2.8            | 7.34  | S082            | TP112MS4 | 13221                    | 3777                       |
| 194.9                   | 141                    | 2.8            | 7.34  | S082            | TH100LB4 | 13277                    | 3793                       |
| 193.5                   | 142                    | 2.8            | 7.34  | S082            | TS100LB4 | 13306                    | 3802                       |

## 5.1 S GEARED MOTORS (50Hz)

## 3.00 kW

| n <sub>2</sub><br>[rpm] | M <sub>2</sub><br>[Nm] | f <sub>s</sub> | i     | Gear<br>reducer | Motor    | Fr <sub>2</sub><br>D [N] | Fr <sub>2</sub><br>C-L [N] |
|-------------------------|------------------------|----------------|-------|-----------------|----------|--------------------------|----------------------------|
| 189.9                   | 140                    | Ex             | 15.27 | S052            | TH100L2  | 3331                     | 3331                       |
| 189.9                   | 140                    | Ex             | 15.27 | S052            | TP100L2  | 3331                     | 3331                       |
| 187.9                   | 141                    | Ex             | 15.27 | S052            | TS100LA2 | 3337                     | 3337                       |
| 181.3                   | 152                    | 1.6            | 8.00  | S062            | TP112MS4 | 6271                     | 2508                       |
| 179.8                   | 153                    | 2.8            | 8.06  | S082            | TP112MS4 | 13607                    | 3888                       |
| 178.8                   | 154                    | 1.5            | 8.00  | S062            | TH100LB4 | 6291                     | 2516                       |
| 178.1                   | 149                    | Ex             | 16.29 | S052            | TH100L2  | 3366                     | 3366                       |
| 178.1                   | 149                    | Ex             | 16.29 | S052            | TP100L2  | 3366                     | 3366                       |
| 177.5                   | 155                    | 1.5            | 8.00  | S062            | TS100LB4 | 6301                     | 2520                       |
| 177.4                   | 155                    | 2.8            | 8.06  | S082            | TH100LB4 | 13664                    | 3904                       |
| 176.2                   | 151                    | Ex             | 16.29 | S052            | TS100LA2 | 3371                     | 3371                       |
| 176.1                   | 156                    | 2.8            | 8.06  | S082            | TS100LB4 | 13694                    | 3912                       |
| 167.7                   | 158                    | Ex             | 17.29 | S082            | TH100L2  | 13919                    | 3977                       |
| 167.7                   | 158                    | Ex             | 17.29 | S082            | TP100L2  | 13919                    | 3977                       |
| 165.9                   | 160                    | Ex             | 17.29 | S082            | TS100LA2 | 13963                    | 3989                       |
| 151.9                   | 181                    | 1.4            | 9.55  | S062            | TP112MS4 | 6519                     | 2608                       |
| 149.8                   | 184                    | 1.4            | 9.55  | S062            | TH100LB4 | 6539                     | 2615                       |
| 148.8                   | 185                    | 1.4            | 9.55  | S062            | TS100LB4 | 6548                     | 2619                       |
| 148.3                   | 179                    | Ex             | 19.55 | S062            | TH100L2  | 6593                     | 2637                       |
| 148.3                   | 179                    | Ex             | 19.55 | S062            | TP100L2  | 6593                     | 2637                       |
| 146.8                   | 181                    | Ex             | 19.55 | S062            | TS100LA2 | 6608                     | 2643                       |
| 145.8                   | 189                    | 2.5            | 9.94  | S082            | TP112MS4 | 14500                    | 4143                       |
| 144.0                   | 184                    | Ex             | 20.14 | S082            | TH100L2  | 14577                    | 4165                       |
| 144.0                   | 184                    | Ex             | 20.14 | S082            | TP100L2  | 14577                    | 4165                       |
| 143.8                   | 191                    | 2.5            | 9.94  | S082            | TH100LB4 | 14561                    | 4160                       |
| 142.8                   | 193                    | 2.4            | 9.94  | S082            | TS100LB4 | 14592                    | 4169                       |
| 142.5                   | 186                    | Ex             | 20.14 | S082            | TS100LA2 | 14623                    | 4178                       |
| 132.2                   | 210                    | 1.9            | 7.34  | S082            | TH132S6  | 14928                    | 4265                       |
| 132.2                   | 210                    | 1.9            | 7.34  | S082            | TP132S6  | 14928                    | 4265                       |
| 131.1                   | 202                    | Ex             | 22.13 | S082            | TH100L2  | 14996                    | 4285                       |
| 131.1                   | 202                    | Ex             | 22.13 | S082            | TP100L2  | 14996                    | 4285                       |
| 130.8                   | 212                    | 1.9            | 7.34  | S082            | TS132SA6 | 14974                    | 4278                       |
| 129.7                   | 205                    | Ex             | 22.13 | S082            | TS100LA2 | 15043                    | 4298                       |
| 126.7                   | 219                    | 1.8            | 7.34  | S082            | TS112MB6 | 15117                    | 4319                       |
| 125.1                   | 212                    | Ex             | 23.18 | S062            | TH100L2  | 6829                     | 2732                       |
| 125.1                   | 212                    | Ex             | 23.18 | S062            | TP100L2  | 6829                     | 2732                       |
| 124.9                   | 220                    | 2.3            | 11.61 | S082            | TP112MS4 | 15188                    | 4339                       |
| 123.8                   | 222                    | 1.3            | 11.71 | S062            | TP112MS4 | 6794                     | 2718                       |
| 123.8                   | 214                    | Ex             | 23.18 | S062            | TS100LA2 | 6843                     | 2737                       |
| 123.2                   | 223                    | 2.3            | 11.61 | S082            | TH100LB4 | 15251                    | 4357                       |
| 122.4                   | 225                    | 2.2            | 11.61 | S082            | TS100LB4 | 15283                    | 4367                       |

## 5.1 S GEARED MOTORS (50Hz)

## 3.00 kW

| n <sub>2</sub><br>[rpm] | M <sub>2</sub><br>[Nm] | f <sub>s</sub> | i     | Gear<br>reducer | Motor    | Fr <sub>2</sub><br>D [N] | Fr <sub>2</sub><br>C-L [N] |
|-------------------------|------------------------|----------------|-------|-----------------|----------|--------------------------|----------------------------|
| 122.1                   | 225                    | 1.3            | 11.71 | S062            | TH100LB4 | 6812                     | 2725                       |
| 121.3                   | 227                    | 1.2            | 11.71 | S062            | TS100LB4 | 6821                     | 2728                       |
| 120.8                   | 220                    | Ex             | 24.00 | S082            | TH100L2  | 15366                    | 4390                       |
| 120.8                   | 220                    | Ex             | 24.00 | S082            | TP100L2  | 15366                    | 4390                       |
| 120.3                   | 231                    | 1.9            | 8.06  | S082            | TH132S6  | 15352                    | 4386                       |
| 120.3                   | 231                    | 1.9            | 8.06  | S082            | TP132S6  | 15352                    | 4386                       |
| 120.3                   | 231                    | 2.6            | 8.06  | S102            | TH132S6  | 19006                    | 5430                       |
| 120.3                   | 231                    | 2.6            | 8.06  | S102            | TP132S6  | 19006                    | 5430                       |
| 119.6                   | 222                    | Ex             | 24.00 | S082            | TS100LA2 | 15414                    | 4404                       |
| 119.1                   | 233                    | 1.9            | 8.06  | S082            | TS132SA6 | 15399                    | 4400                       |
| 119.1                   | 233                    | 2.6            | 8.06  | S102            | TS132SA6 | 19067                    | 5448                       |
| 115.3                   | 230                    | Ex             | 25.14 | S062            | TH100L2  | 6938                     | 2775                       |
| 115.3                   | 230                    | Ex             | 25.14 | S062            | TP100L2  | 6938                     | 2775                       |
| 115.3                   | 241                    | 1.8            | 8.06  | S082            | TS112MB6 | 15545                    | 4441                       |
| 115.3                   | 241                    | 2.5            | 8.06  | S102            | TS112MB6 | 19255                    | 5501                       |
| 114.1                   | 233                    | Ex             | 25.14 | S062            | TS100LA2 | 6951                     | 2781                       |
| 113.7                   | 242                    | 2.2            | 12.75 | S082            | TP112MS4 | 15618                    | 4462                       |
| 112.2                   | 245                    | 2.2            | 12.75 | S082            | TH100LB4 | 15683                    | 4481                       |
| 111.4                   | 247                    | 2.2            | 12.75 | S082            | TS100LB4 | 15715                    | 4490                       |
| 109.6                   | 253                    | 2.6            | 8.85  | S102            | TH132S6  | 19557                    | 5588                       |
| 109.6                   | 253                    | 2.6            | 8.85  | S102            | TP132S6  | 19557                    | 5588                       |
| 108.6                   | 253                    | 1.2            | 13.36 | S062            | TP112MS4 | 6960                     | 2784                       |
| 108.5                   | 256                    | 2.5            | 8.85  | S102            | TS132SA6 | 19620                    | 5606                       |
| 107.1                   | 257                    | 1.2            | 13.36 | S062            | TH100LB4 | 6977                     | 2791                       |
| 106.3                   | 259                    | 1.2            | 13.36 | S062            | TS100LB4 | 6985                     | 2794                       |
| 106.3                   | 250                    | Ex             | 27.29 | S082            | TH100L2  | 15963                    | 4561                       |
| 106.3                   | 250                    | Ex             | 27.29 | S082            | TP100L2  | 15963                    | 4561                       |
| 105.2                   | 252                    | Ex             | 27.29 | S082            | TS100LA2 | 16012                    | 4575                       |
| 105.1                   | 264                    | 2.5            | 8.85  | S102            | TS112MB6 | 19812                    | 5661                       |
| 104.9                   | 253                    | Ex             | 27.66 | S062            | TH100L2  | 7060                     | 2824                       |
| 104.9                   | 253                    | Ex             | 27.66 | S062            | TP100L2  | 7060                     | 2824                       |
| 103.8                   | 256                    | Ex             | 27.66 | S062            | TS100LA2 | 7073                     | 2829                       |
| 101.1                   | 262                    | Ex             | 28.67 | S082            | TH100L2  | 16198                    | 4628                       |
| 101.1                   | 262                    | Ex             | 28.67 | S082            | TP100L2  | 16198                    | 4628                       |
| 100.1                   | 265                    | Ex             | 28.67 | S082            | TS100LA2 | 16248                    | 4642                       |
| 97.5                    | 285                    | 1.7            | 9.94  | S082            | TH132S6  | 16330                    | 4666                       |
| 97.5                    | 285                    | 1.7            | 9.94  | S082            | TP132S6  | 16330                    | 4666                       |
| 96.7                    | 275                    | Ex             | 30.00 | S062            | TH100L2  | 7160                     | 2864                       |
| 96.7                    | 275                    | Ex             | 30.00 | S062            | TP100L2  | 7160                     | 2864                       |
| 96.5                    | 288                    | 1.6            | 9.94  | S082            | TS132SA6 | 16379                    | 4680                       |
| 95.7                    | 277                    | Ex             | 30.00 | S062            | TS100LA2 | 7172                     | 2869                       |

## 5.1 S GEARED MOTORS (50Hz)

## 3.00 kW

| n2<br>[rpm] | M2<br>[Nm] | fs  | i     | Gear<br>reducer | Motor    | Fr2<br>D [N] | Fr2<br>C-L [N] |
|-------------|------------|-----|-------|-----------------|----------|--------------|----------------|
| 93.5        | 297        | 1.6 | 9.94  | S082            | TS112MB6 | 16531        | 4723           |
| 91.3        | 291        | Ex  | 31.78 | S082            | TH100L2  | 16693        | 4770           |
| 91.3        | 291        | Ex  | 31.78 | S082            | TP100L2  | 16693        | 4770           |
| 91.0        | 302        | 1.1 | 15.94 | S062            | TP112MS4 | 7164         | 2866           |
| 90.3        | 294        | Ex  | 31.78 | S082            | TS100LA2 | 16744        | 4784           |
| 89.7        | 307        | 1.1 | 15.94 | S062            | TH100LB4 | 7179         | 2872           |
| 89.1        | 309        | 1.0 | 15.94 | S062            | TS100LB4 | 7186         | 2875           |
| 89.1        | 312        | 2.2 | 10.88 | S102            | TH132S6  | 20837        | 5954           |
| 89.1        | 312        | 2.2 | 10.88 | S102            | TP132S6  | 20837        | 5954           |
| 88.2        | 315        | 2.2 | 10.88 | S102            | TS132SA6 | 20903        | 5972           |
| 85.4        | 325        | 2.1 | 10.88 | S102            | TS112MB6 | 21106        | 6030           |
| 84.2        | 326        | 2.9 | 17.21 | S102            | TP112MS4 | 21205        | 6059           |
| 83.8        | 328        | 1.7 | 17.29 | S082            | TP112MS4 | 17072        | 4878           |
| 83.6        | 332        | 1.5 | 11.61 | S082            | TH132S6  | 17077        | 4879           |
| 83.6        | 332        | 1.5 | 11.61 | S082            | TP132S6  | 17077        | 4879           |
| 83.1        | 319        | Ex  | 34.91 | S082            | TH100L2  | 17155        | 4902           |
| 83.1        | 319        | Ex  | 34.91 | S082            | TP100L2  | 17155        | 4902           |
| 83.1        | 331        | 2.8 | 17.21 | S102            | TH100LB4 | 21294        | 6084           |
| 82.7        | 336        | 1.5 | 11.61 | S082            | TS132SA6 | 17128        | 4894           |
| 82.7        | 333        | 1.7 | 17.29 | S082            | TH100LB4 | 17141        | 4897           |
| 82.5        | 333        | 2.8 | 17.21 | S102            | TS100LB4 | 21340        | 6097           |
| 82.2        | 323        | Ex  | 34.91 | S082            | TS100LA2 | 17207        | 4916           |
| 82.1        | 335        | 1.7 | 17.29 | S082            | TS100LB4 | 17175        | 4907           |
| 80.1        | 347        | 1.5 | 11.61 | S082            | TS112MB6 | 17284        | 4938           |
| 79.3        | 335        | Ex  | 36.57 | S062            | TH100L2  | 7380         | 2952           |
| 79.3        | 335        | Ex  | 36.57 | S062            | TP100L2  | 7380         | 2952           |
| 78.5        | 338        | Ex  | 36.57 | S062            | TS100LA2 | 7390         | 2956           |
| 76.3        | 360        | 2.8 | 19.00 | S102            | TP112MS4 | 21848        | 6242           |
| 76.1        | 365        | 1.5 | 12.75 | S082            | TH132S6  | 17542        | 5012           |
| 76.1        | 365        | 1.5 | 12.75 | S082            | TP132S6  | 17542        | 5012           |
| 76.1        | 365        | 2.0 | 12.75 | S102            | TH132S6  | 21859        | 6245           |
| 76.1        | 365        | 2.0 | 12.75 | S102            | TP132S6  | 21859        | 6245           |
| 75.3        | 369        | 1.5 | 12.75 | S082            | TS132SA6 | 17593        | 5027           |
| 75.3        | 369        | 2.0 | 12.75 | S102            | TS132SA6 | 21927        | 6265           |
| 75.3        | 365        | 2.8 | 19.00 | S102            | TH100LB4 | 21939        | 6268           |
| 74.7        | 368        | 2.7 | 19.00 | S102            | TS100LB4 | 21986        | 6282           |
| 73.7        | 360        | Ex  | 39.38 | S062            | TH100L2  | 7452         | 2981           |
| 73.7        | 360        | Ex  | 39.38 | S062            | TP100L2  | 7452         | 2981           |
| 72.9        | 364        | Ex  | 39.38 | S062            | TS100LA2 | 7461         | 2985           |
| 72.9        | 381        | 1.4 | 12.75 | S082            | TS112MB6 | 17752        | 5072           |
| 72.9        | 381        | 1.9 | 12.75 | S102            | TS112MB6 | 22000        | 6325           |



## 5.1 S GEARED MOTORS (50Hz)

## 3.00 kW

| n <sub>2</sub><br>[rpm] | M <sub>2</sub><br>[Nm] | f <sub>s</sub> | i     | Gear<br>reducer | Motor    | Fr <sub>2</sub><br>D [N] | Fr <sub>2</sub><br>C-L [N] |
|-------------------------|------------------------|----------------|-------|-----------------|----------|--------------------------|----------------------------|
| 72.4                    | 367                    | Ex             | 40.05 | S082            | TH100L2  | 17845                    | 5099                       |
| 72.4                    | 367                    | Ex             | 40.05 | S082            | TP100L2  | 17845                    | 5099                       |
| 72.0                    | 382                    | 1.5            | 20.14 | S082            | TP112MS4 | 17830                    | 5094                       |
| 71.7                    | 370                    | Ex             | 40.05 | S082            | TS100LA2 | 17898                    | 5114                       |
| 71.0                    | 387                    | 1.4            | 20.14 | S082            | TH100LB4 | 17900                    | 5114                       |
| 70.5                    | 390                    | 1.4            | 20.14 | S082            | TS100LB4 | 17936                    | 5125                       |
| 69.3                    | 401                    | 2.2            | 13.99 | S102            | TH132S6  | 22000                    | 6422                       |
| 69.3                    | 401                    | 2.2            | 13.99 | S102            | TP132S6  | 22000                    | 6422                       |
| 68.6                    | 405                    | 2.1            | 13.99 | S102            | TS132SA6 | 22000                    | 6442                       |
| 67.4                    | 394                    | Ex             | 43.05 | S082            | TH100L2  | 18000                    | 5204                       |
| 67.4                    | 394                    | Ex             | 43.05 | S082            | TP100L2  | 18000                    | 5204                       |
| 66.7                    | 398                    | Ex             | 43.05 | S082            | TS100LA2 | 18000                    | 5220                       |
| 66.5                    | 399                    | Ex             | 43.64 | S062            | TH100L2  | 7540                     | 3016                       |
| 66.5                    | 399                    | Ex             | 43.64 | S062            | TP100L2  | 7540                     | 3016                       |
| 66.5                    | 418                    | 2.1            | 13.99 | S102            | TS112MB6 | 22000                    | 6503                       |
| 65.8                    | 404                    | Ex             | 43.64 | S062            | TS100LA2 | 7549                     | 3019                       |
| 65.5                    | 420                    | 1.4            | 22.13 | S082            | TP112MS4 | 18000                    | 5231                       |
| 65.5                    | 420                    | 2.4            | 22.13 | S102            | TP112MS4 | 22000                    | 6534                       |
| 64.6                    | 426                    | 1.4            | 22.13 | S082            | TH100LB4 | 18000                    | 5251                       |
| 64.6                    | 426                    | 2.4            | 22.13 | S102            | TH100LB4 | 22000                    | 6561                       |
| 64.2                    | 429                    | 1.3            | 22.13 | S082            | TS100LB4 | 18000                    | 5261                       |
| 64.2                    | 429                    | 2.4            | 22.13 | S102            | TS100LB4 | 22000                    | 6575                       |
| 60.4                    | 455                    | 1.3            | 24.00 | S082            | TP112MS4 | 18000                    | 5351                       |
| 59.7                    | 460                    | 2.3            | 24.28 | S102            | TP112MS4 | 22000                    | 6716                       |
| 59.6                    | 462                    | 1.2            | 24.00 | S082            | TH100LB4 | 18000                    | 5371                       |
| 59.2                    | 465                    | 1.2            | 24.00 | S082            | TS100LB4 | 18000                    | 5381                       |
| 58.9                    | 467                    | 2.3            | 24.28 | S102            | TH100LB4 | 22000                    | 6744                       |
| 58.5                    | 470                    | 2.3            | 24.28 | S102            | TS100LB4 | 22000                    | 6758                       |
| 57.7                    | 460                    | Ex             | 50.25 | S082            | TH100L2  | 18000                    | 5434                       |
| 57.7                    | 460                    | Ex             | 50.25 | S082            | TP100L2  | 18000                    | 5434                       |
| 57.1                    | 465                    | Ex             | 50.25 | S082            | TS100LA2 | 18000                    | 5450                       |
| 56.4                    | 493                    | 1.9            | 17.21 | S102            | TH132S6  | 22000                    | 6829                       |
| 56.4                    | 493                    | 1.9            | 17.21 | S102            | TP132S6  | 22000                    | 6829                       |
| 56.1                    | 495                    | 1.1            | 17.29 | S082            | TH132S6  | 18000                    | 5456                       |
| 56.1                    | 495                    | 1.1            | 17.29 | S082            | TP132S6  | 18000                    | 5456                       |
| 55.8                    | 498                    | 1.9            | 17.21 | S102            | TS132SA6 | 22000                    | 6850                       |
| 55.5                    | 500                    | 1.1            | 17.29 | S082            | TS132SA6 | 18000                    | 5472                       |
| 55.1                    | 499                    | 2.2            | 26.33 | S102            | TP112MS4 | 22000                    | 6879                       |
| 54.3                    | 506                    | 2.1            | 26.33 | S102            | TH100LB4 | 22000                    | 6907                       |
| 54.0                    | 514                    | 1.8            | 17.21 | S102            | TS112MB6 | 22000                    | 6914                       |
| 53.9                    | 510                    | 2.1            | 26.33 | S102            | TS100LB4 | 22000                    | 6922                       |

## 5.1 S GEARED MOTORS (50Hz)

## 3.00 kW

| n2<br>[rpm] | M2<br>[Nm] | fs  | i     | Gear<br>reducer | Motor    | Fr2<br>D [N] | Fr2<br>C-L [N] |
|-------------|------------|-----|-------|-----------------|----------|--------------|----------------|
| 53.8        | 517        | 1.1 | 17.29 | S082            | TS112MB6 | 18000        | 5519           |
| 53.4        | 497        | Ex  | 54.27 | S082            | TH100L2  | 18000        | 5550           |
| 53.4        | 497        | Ex  | 54.27 | S082            | TP100L2  | 18000        | 5550           |
| 53.1        | 518        | 1.3 | 27.29 | S082            | TP112MS4 | 18000        | 5542           |
| 52.9        | 502        | Ex  | 54.27 | S082            | TS100LA2 | 18000        | 5566           |
| 52.4        | 525        | 1.2 | 27.29 | S082            | TH100LB4 | 18000        | 5563           |
| 52.0        | 529        | 1.2 | 27.29 | S082            | TS100LB4 | 18000        | 5573           |
| 51.1        | 544        | 1.9 | 19.00 | S102            | TH132S6  | 22000        | 7029           |
| 51.1        | 544        | 1.9 | 19.00 | S102            | TP132S6  | 22000        | 7029           |
| 50.6        | 544        | 1.2 | 28.67 | S082            | TP112MS4 | 18000        | 5617           |
| 50.5        | 550        | 1.8 | 19.00 | S102            | TS132SA6 | 22000        | 7051           |
| 49.9        | 551        | 1.2 | 28.67 | S082            | TH100LB4 | 18000        | 5638           |
| 49.5        | 555        | 1.2 | 28.67 | S082            | TS100LB4 | 18000        | 5648           |
| 48.9        | 568        | 1.8 | 19.00 | S102            | TS112MB6 | 22000        | 7116           |
| 48.5        | 567        | 1.9 | 29.87 | S102            | TP112MS4 | 22000        | 7137           |
| 47.9        | 574        | 1.9 | 29.87 | S102            | TH100LB4 | 22000        | 7166           |
| 47.5        | 579        | 1.9 | 29.87 | S102            | TS100LB4 | 22000        | 7181           |
| 46.8        | 567        | Ex  | 61.98 | S082            | TH100L2  | 18000        | 5754           |
| 46.8        | 567        | Ex  | 61.98 | S082            | TP100L2  | 18000        | 5754           |
| 46.3        | 573        | Ex  | 61.98 | S082            | TS100LA2 | 18000        | 5770           |
| 45.6        | 603        | 1.4 | 31.78 | S082            | TP112MS4 | 18000        | 5773           |
| 45.0        | 611        | 1.4 | 31.78 | S082            | TH100LB4 | 18000        | 5794           |
| 44.8        | 615        | 2.1 | 32.40 | S102            | TP112MS4 | 22000        | 7307           |
| 44.7        | 615        | 1.4 | 31.78 | S082            | TS100LB4 | 18000        | 5805           |
| 44.1        | 623        | 2.1 | 32.40 | S102            | TH100LB4 | 22000        | 7337           |
| 43.8        | 634        | 1.6 | 22.13 | S102            | TH132S6  | 22000        | 7346           |
| 43.8        | 634        | 1.6 | 22.13 | S102            | TP132S6  | 22000        | 7346           |
| 43.8        | 628        | 2.0 | 32.40 | S102            | TS100LB4 | 22000        | 7352           |
| 43.4        | 640        | 1.6 | 22.13 | S102            | TS132SA6 | 22000        | 7368           |
| 42.9        | 605        | Ex  | 67.52 | S083            | TH100L2  | 18000        | 5899           |
| 42.9        | 605        | Ex  | 67.52 | S083            | TP100L2  | 18000        | 5899           |
| 42.5        | 611        | Ex  | 67.52 | S083            | TS100LA2 | 18000        | 5915           |
| 42.0        | 661        | 1.5 | 22.13 | S102            | TS112MB6 | 22000        | 7435           |
| 41.5        | 662        | 1.3 | 34.91 | S082            | TP112MS4 | 18000        | 5917           |
| 41.5        | 662        | 1.8 | 34.91 | S102            | TP112MS4 | 22000        | 7466           |
| 41.0        | 671        | 1.3 | 34.91 | S082            | TH100LB4 | 18000        | 5938           |
| 41.0        | 671        | 1.8 | 34.91 | S102            | TH100LB4 | 22000        | 7495           |
| 40.7        | 676        | 1.3 | 34.91 | S082            | TS100LB4 | 18000        | 5949           |
| 40.7        | 676        | 1.8 | 34.91 | S102            | TS100LB4 | 22000        | 7510           |
| 40.0        | 695        | 1.6 | 24.28 | S102            | TH132S6  | 22000        | 7543           |
| 40.0        | 695        | 1.6 | 24.28 | S102            | TP132S6  | 22000        | 7543           |

## 5.1 S GEARED MOTORS (50Hz)

## 3.00 kW

| n <sub>2</sub><br>[rpm] | M <sub>2</sub><br>[Nm] | f <sub>s</sub> | i     | Gear<br>reducer | Motor    | Fr <sub>2</sub><br>D [N] | Fr <sub>2</sub><br>C-L [N] |
|-------------------------|------------------------|----------------|-------|-----------------|----------|--------------------------|----------------------------|
| 39.5                    | 702                    | 1.5            | 24.28 | S102            | TS132SA6 | 22000                    | 7566                       |
| 39.1                    | 665                    | Ex             | 74.18 | S083            | TH100L2  | 18000                    | 6046                       |
| 39.1                    | 665                    | Ex             | 74.18 | S083            | TP100L2  | 18000                    | 6046                       |
| 38.7                    | 672                    | Ex             | 74.18 | S083            | TS100LA2 | 18000                    | 6063                       |
| 38.3                    | 725                    | 1.5            | 24.28 | S102            | TS112MB6 | 22000                    | 7634                       |
| 37.9                    | 727                    | 1.8            | 38.30 | S102            | TP112MS4 | 22000                    | 7665                       |
| 37.3                    | 737                    | 1.7            | 38.30 | S102            | TH100LB4 | 22000                    | 7695                       |
| 37.1                    | 742                    | 1.7            | 38.30 | S102            | TS100LB4 | 22000                    | 7711                       |
| 36.8                    | 754                    | 1.4            | 26.33 | S102            | TH132S6  | 22000                    | 7719                       |
| 36.8                    | 754                    | 1.4            | 26.33 | S102            | TP132S6  | 22000                    | 7719                       |
| 36.5                    | 762                    | 1.4            | 26.33 | S102            | TS132SA6 | 22000                    | 7742                       |
| 36.2                    | 760                    | 1.1            | 40.05 | S082            | TP112MS4 | 18000                    | 6129                       |
| 35.7                    | 770                    | 1.1            | 40.05 | S082            | TH100LB4 | 18000                    | 6150                       |
| 35.5                    | 776                    | 1.1            | 40.05 | S082            | TS100LB4 | 18000                    | 6161                       |
| 35.3                    | 787                    | 1.4            | 26.33 | S102            | TS112MB6 | 22000                    | 7811                       |
| 35.3                    | 779                    | 3.3            | 41.07 | S122            | TP112MS4 | 30000                    | 11167                      |
| 34.8                    | 790                    | 3.2            | 41.07 | S122            | TH100LB4 | 30000                    | 11200                      |
| 34.6                    | 795                    | 3.2            | 41.07 | S122            | TS100LB4 | 30000                    | 11200                      |
| 33.9                    | 819                    | 2.6            | 28.60 | S122            | TH132S6  | 30000                    | 11200                      |
| 33.9                    | 819                    | 2.6            | 28.60 | S122            | TP132S6  | 30000                    | 11200                      |
| 33.7                    | 817                    | 1.0            | 43.05 | S082            | TP112MS4 | 18000                    | 6240                       |
| 33.6                    | 828                    | 2.6            | 28.60 | S122            | TS132SA6 | 30000                    | 11200                      |
| 33.3                    | 827                    | 3.1            | 43.60 | S122            | TP112MS4 | 30000                    | 11200                      |
| 33.2                    | 828                    | 1.0            | 43.05 | S082            | TH100LB4 | 18000                    | 6262                       |
| 33.0                    | 834                    | 1.0            | 43.05 | S082            | TS100LB4 | 18000                    | 6273                       |
| 33.0                    | 835                    | 1.3            | 44.00 | S102            | TP112MS4 | 22000                    | 7969                       |
| 32.8                    | 839                    | 3.1            | 43.60 | S122            | TH100LB4 | 30000                    | 11200                      |
| 32.6                    | 844                    | 3.0            | 43.60 | S122            | TS100LB4 | 30000                    | 11200                      |
| 32.5                    | 846                    | 1.3            | 44.00 | S102            | TH100LB4 | 22000                    | 8000                       |
| 32.5                    | 855                    | 1.3            | 29.87 | S102            | TH132S6  | 22000                    | 7995                       |
| 32.5                    | 855                    | 1.3            | 29.87 | S102            | TP132S6  | 22000                    | 7995                       |
| 32.5                    | 854                    | 2.5            | 28.60 | S122            | TS112MB6 | 30000                    | 11200                      |
| 32.3                    | 852                    | 1.3            | 44.00 | S102            | TS100LB4 | 22000                    | 8016                       |
| 32.1                    | 864                    | 1.2            | 29.87 | S102            | TS132SA6 | 22000                    | 8018                       |
| 31.8                    | 874                    | 2.9            | 30.51 | S122            | TH132S6  | 30000                    | 11200                      |
| 31.8                    | 874                    | 2.9            | 30.51 | S122            | TP132S6  | 30000                    | 11200                      |
| 31.5                    | 883                    | 2.9            | 30.51 | S122            | TS132SA6 | 30000                    | 11200                      |
| 31.1                    | 892                    | 1.2            | 29.87 | S102            | TS112MB6 | 22000                    | 8089                       |
| 30.8                    | 894                    | 1.5            | 47.13 | S102            | TP112MS4 | 22000                    | 8122                       |
| 30.5                    | 911                    | 2.8            | 30.51 | S122            | TS112MB6 | 30000                    | 11200                      |
| 30.3                    | 906                    | 1.5            | 47.13 | S102            | TH100LB4 | 22000                    | 8153                       |

## 5.1 S GEARED MOTORS (50Hz)

## 3.00 kW

| n <sub>2</sub><br>[rpm] | M <sub>2</sub><br>[Nm] | f <sub>s</sub> | i     | Gear<br>reducer | Motor    | Fr <sub>2</sub><br>D [N] | Fr <sub>2</sub><br>C-L [N] |
|-------------------------|------------------------|----------------|-------|-----------------|----------|--------------------------|----------------------------|
| 30.1                    | 913                    | 1.5            | 47.13 | S102            | TS100LB4 | 22000                    | 8169                       |
| 29.9                    | 928                    | 1.4            | 32.40 | S102            | TH132S6  | 22000                    | 8176                       |
| 29.9                    | 928                    | 1.4            | 32.40 | S102            | TP132S6  | 22000                    | 8176                       |
| 29.6                    | 938                    | 1.4            | 32.40 | S102            | TS132SA6 | 22000                    | 8200                       |
| 29.6                    | 930                    | 2.2            | 49.04 | S122            | TP112MS4 | 30000                    | 11200                      |
| 29.2                    | 943                    | 2.2            | 49.04 | S122            | TH100LB4 | 30000                    | 11200                      |
| 29.0                    | 950                    | 2.2            | 49.04 | S122            | TS100LB4 | 30000                    | 11200                      |
| 29.0                    | 958                    | 2.7            | 33.44 | S122            | TH132S6  | 30000                    | 11200                      |
| 29.0                    | 958                    | 2.7            | 33.44 | S122            | TP132S6  | 30000                    | 11200                      |
| 28.7                    | 968                    | 1.3            | 32.40 | S102            | TS112MB6 | 22000                    | 8271                       |
| 28.7                    | 968                    | 2.6            | 33.44 | S122            | TS132SA6 | 30000                    | 11200                      |
| 27.8                    | 1000                   | 1.2            | 34.91 | S102            | TH132S6  | 22000                    | 8344                       |
| 27.8                    | 1000                   | 1.2            | 34.91 | S102            | TP132S6  | 22000                    | 8344                       |
| 27.8                    | 999                    | 2.6            | 33.44 | S122            | TS112MB6 | 30000                    | 11200                      |
| 27.6                    | 1008                   | 2.5            | 35.20 | S122            | TP132S6  | 30000                    | 11200                      |
| 27.6                    | 1008                   | 2.5            | 35.20 | S122            | TH132S6  | 30000                    | 11200                      |
| 27.5                    | 1010                   | 1.2            | 34.91 | S102            | TS132SA6 | 22000                    | 8367                       |
| 27.3                    | 1019                   | 2.5            | 35.20 | S122            | TS132SA6 | 30000                    | 11200                      |
| 27.0                    | 1020                   | 2.2            | 53.75 | S122            | TP112MS4 | 30000                    | 11200                      |
| 26.6                    | 1043                   | 1.1            | 34.91 | S102            | TS112MB6 | 22000                    | 8439                       |
| 26.6                    | 1034                   | 2.1            | 53.75 | S122            | TH100LB4 | 30000                    | 11200                      |
| 26.4                    | 1041                   | 2.1            | 53.75 | S122            | TS100LB4 | 30000                    | 11200                      |
| 26.4                    | 1051                   | 2.4            | 35.20 | S122            | TS112MB6 | 30000                    | 11200                      |
| 26.3                    | 1046                   | 1.1            | 55.14 | S102            | TP112MS4 | 22000                    | 8476                       |
| 25.9                    | 1060                   | 1.0            | 55.14 | S102            | TH100LB4 | 22000                    | 8508                       |
| 25.8                    | 1068                   | 1.0            | 55.14 | S102            | TS100LB4 | 22000                    | 8524                       |
| 25.3                    | 1097                   | 1.2            | 38.30 | S102            | TH132S6  | 22000                    | 8554                       |
| 25.3                    | 1097                   | 1.2            | 38.30 | S102            | TP132S6  | 22000                    | 8554                       |
| 25.1                    | 1108                   | 1.2            | 38.30 | S102            | TS132SA6 | 22000                    | 8578                       |
| 24.4                    | 1127                   | 1.2            | 59.40 | S102            | TP112MS4 | 22000                    | 8647                       |
| 24.3                    | 1144                   | 1.1            | 38.30 | S102            | TS112MB6 | 22000                    | 8651                       |
| 24.1                    | 1142                   | 1.2            | 59.40 | S102            | TH100LB4 | 22000                    | 8679                       |
| 23.9                    | 1151                   | 1.2            | 59.40 | S102            | TS100LB4 | 22000                    | 8695                       |
| 23.6                    | 1176                   | 2.2            | 41.07 | S122            | TH132S6  | 30000                    | 11200                      |
| 23.6                    | 1176                   | 2.2            | 41.07 | S122            | TP132S6  | 30000                    | 11200                      |
| 23.4                    | 1188                   | 2.2            | 41.07 | S122            | TS132SA6 | 30000                    | 11200                      |
| 22.6                    | 1227                   | 2.1            | 41.07 | S122            | TS112MB6 | 30000                    | 11200                      |
| 22.2                    | 1249                   | 2.1            | 43.60 | S122            | TH132S6  | 30000                    | 11200                      |
| 22.2                    | 1249                   | 2.1            | 43.60 | S122            | TP132S6  | 30000                    | 11200                      |
| 22.0                    | 1262                   | 2.0            | 43.60 | S122            | TS132SA6 | 30000                    | 11200                      |
| 22.0                    | 1252                   | 2.0            | 66.00 | S122            | TP112MS4 | 30000                    | 11200                      |

## 5.1 S GEARED MOTORS (50Hz)

## 3.00 kW

| n2<br>[rpm] | M2<br>[Nm] | fs  | i      | Gear<br>reducer | Motor    | Fr2<br>D [N] | Fr2<br>C-L [N] |
|-------------|------------|-----|--------|-----------------|----------|--------------|----------------|
| 21.7        | 1269       | 2.0 | 66.00  | S122            | TH100LB4 | 30000        | 11200          |
| 21.5        | 1278       | 2.0 | 66.00  | S122            | TS100LB4 | 30000        | 11200          |
| 21.4        | 1287       | 1.1 | 67.84  | S102            | TP112MS4 | 22000        | 8953           |
| 21.3        | 1302       | 2.0 | 43.60  | S122            | TS112MB6 | 30000        | 11200          |
| 21.1        | 1305       | 1.0 | 67.84  | S102            | TH100LB4 | 22000        | 8985           |
| 20.9        | 1314       | 1.0 | 67.84  | S102            | TS100LB4 | 22000        | 9000           |
| 20.6        | 1350       | 1.0 | 47.13  | S102            | TH132S6  | 22000        | 9000           |
| 20.6        | 1350       | 1.0 | 47.13  | S102            | TP132S6  | 22000        | 9000           |
| 20.4        | 1364       | 1.0 | 47.13  | S102            | TS132SA6 | 22000        | 9000           |
| 20.4        | 1320       | 1.7 | 71.07  | S123            | TP112MS4 | 30000        | 11200          |
| 20.1        | 1338       | 1.7 | 71.07  | S123            | TH100LB4 | 30000        | 11200          |
| 20.0        | 1348       | 1.7 | 71.07  | S123            | TS100LB4 | 30000        | 11200          |
| 19.8        | 1404       | 1.5 | 49.04  | S122            | TH132S6  | 30000        | 11200          |
| 19.8        | 1404       | 1.5 | 49.04  | S122            | TP132S6  | 30000        | 11200          |
| 19.6        | 1419       | 1.4 | 49.04  | S122            | TS132SA6 | 30000        | 11200          |
| 19.0        | 1465       | 1.4 | 49.04  | S122            | TS112MB6 | 30000        | 11200          |
| 18.0        | 1539       | 1.4 | 53.75  | S122            | TH132S6  | 30000        | 11200          |
| 18.0        | 1539       | 1.4 | 53.75  | S122            | TP132S6  | 30000        | 11200          |
| 17.9        | 1555       | 1.4 | 53.75  | S122            | TS132SA6 | 30000        | 11200          |
| 17.3        | 1606       | 1.4 | 53.75  | S122            | TS112MB6 | 30000        | 11200          |
| 16.6        | 1621       | 1.6 | 87.27  | S123            | TP112MS4 | 30000        | 11200          |
| 16.4        | 1643       | 1.6 | 87.27  | S123            | TH100LB4 | 30000        | 11200          |
| 16.3        | 1655       | 1.5 | 87.27  | S123            | TS100LB4 | 30000        | 11200          |
| 14.7        | 1890       | 1.4 | 66.00  | S122            | TH132S6  | 30000        | 11200          |
| 14.7        | 1890       | 1.4 | 66.00  | S122            | TP132S6  | 30000        | 11200          |
| 14.5        | 1910       | 1.3 | 66.00  | S122            | TS132SA6 | 30000        | 11200          |
| 14.1        | 1971       | 1.3 | 66.00  | S122            | TS112MB6 | 30000        | 11200          |
| 13.6        | 1993       | 1.2 | 71.07  | S123            | TH132S6  | 30000        | 11200          |
| 13.6        | 1993       | 1.2 | 71.07  | S123            | TP132S6  | 30000        | 11200          |
| 13.5        | 2014       | 1.1 | 71.07  | S123            | TS132SA6 | 30000        | 11200          |
| 13.1        | 2079       | 1.1 | 71.07  | S123            | TS112MB6 | 30000        | 11200          |
| 12.9        | 2090       | 1.2 | 112.52 | S123            | TP112MS4 | 30000        | 11200          |
| 12.7        | 2119       | 1.2 | 112.52 | S123            | TH100LB4 | 30000        | 11200          |
| 12.6        | 2134       | 1.2 | 112.52 | S123            | TS100LB4 | 30000        | 11200          |
| 11.8        | 2291       | 1.1 | 123.33 | S123            | TP112MS4 | 30000        | 11200          |
| 11.6        | 2323       | 1.1 | 123.33 | S123            | TH100LB4 | 30000        | 11200          |
| 11.5        | 2339       | 1.1 | 123.33 | S123            | TS100LB4 | 30000        | 11200          |
| 11.1        | 2447       | 1.0 | 87.27  | S123            | TH132S6  | 30000        | 11200          |
| 11.1        | 2447       | 1.0 | 87.27  | S123            | TP132S6  | 30000        | 11200          |
| 11.0        | 2473       | 1.0 | 87.27  | S123            | TS132SA6 | 30000        | 11200          |
| 10.8        | 2485       | 1.0 | 133.78 | S123            | TP112MS4 | 30000        | 11200          |

## 5.1 S GEARED MOTORS (50Hz)

## 3.00 kW

| n2 [rpm] | M2 [Nm] | fs  | i      | Gear reducer | Motor    | Fr2 D [N] | Fr2 C-L [N] |
|----------|---------|-----|--------|--------------|----------|-----------|-------------|
| 10.7     | 2552    | 1.0 | 87.27  | S123         | TS112MB6 | 30000     | 11200       |
| 10.7     | 2519    | 1.0 | 133.78 | S123         | TH100LB4 | 30000     | 11200       |
| 10.6     | 2537    | 1.0 | 133.78 | S123         | TS100LB4 | 30000     | 11200       |

## 4.00 kW

| n2 [rpm] | M2 [Nm] | fs  | i     | Gear reducer | Motor    | Fr2 D [N] | Fr2 C-L [N] |
|----------|---------|-----|-------|--------------|----------|-----------|-------------|
| 339.7    | 104     | Ex  | 8.63  | S052         | TH112M2  | 2814      | 2814        |
| 339.7    | 104     | Ex  | 8.63  | S052         | TP112M2  | 2814      | 2814        |
| 336.2    | 105     | Ex  | 8.63  | S052         | TS112MA2 | 2820      | 2820        |
| 332.8    | 106     | Ex  | 8.63  | S052         | TS100LB2 | 2825      | 2825        |
| 197.6    | 186     | 2.1 | 7.34  | S082         | TH112M4  | 13068     | 3734        |
| 197.6    | 186     | 2.1 | 7.34  | S082         | TP112M4  | 13068     | 3734        |
| 196.2    | 187     | 2.1 | 7.34  | S082         | TS112MA4 | 13095     | 3741        |
| 181.3    | 202     | 1.2 | 8.00  | S062         | TH112M4  | 5950      | 2380        |
| 181.3    | 202     | 1.2 | 8.00  | S062         | TP112M4  | 5950      | 2380        |
| 180.0    | 204     | 1.2 | 8.00  | S062         | TS112MA4 | 5958      | 2383        |
| 179.8    | 204     | 2.1 | 8.06  | S082         | TH112M4  | 13439     | 3840        |
| 179.8    | 204     | 2.1 | 8.06  | S082         | TP112M4  | 13439     | 3840        |
| 178.6    | 205     | 2.1 | 8.06  | S082         | TS112MA4 | 13467     | 3848        |
| 169.4    | 209     | Ex  | 17.29 | S082         | TH112M2  | 13704     | 3915        |
| 169.4    | 209     | Ex  | 17.29 | S082         | TP112M2  | 13704     | 3915        |
| 167.7    | 211     | Ex  | 17.29 | S082         | TS112MA2 | 13746     | 3927        |
| 165.9    | 213     | Ex  | 17.29 | S082         | TS100LB2 | 13788     | 3939        |
| 162.8    | 225     | 2.9 | 8.85  | S102         | TS112MA4 | 17159     | 4903        |
| 151.9    | 241     | 1.1 | 9.55  | S062         | TH112M4  | 6137      | 2455        |
| 151.9    | 241     | 1.1 | 9.55  | S062         | TP112M4  | 6137      | 2455        |
| 150.9    | 243     | 1.1 | 9.55  | S062         | TS112MA4 | 6144      | 2458        |
| 149.9    | 236     | Ex  | 19.55 | S062         | TH112M2  | 6205      | 2482        |
| 149.9    | 236     | Ex  | 19.55 | S062         | TP112M2  | 6205      | 2482        |
| 148.3    | 239     | Ex  | 19.55 | S062         | TS112MA2 | 6215      | 2486        |
| 146.8    | 241     | Ex  | 19.55 | S062         | TS100LB2 | 6226      | 2490        |
| 145.8    | 251     | 1.9 | 9.94  | S082         | TH112M4  | 14294     | 4084        |
| 145.8    | 251     | 1.9 | 9.94  | S082         | TP112M4  | 14294     | 4084        |
| 145.5    | 243     | Ex  | 20.14 | S082         | TH112M2  | 14332     | 4095        |
| 145.5    | 243     | Ex  | 20.14 | S082         | TP112M2  | 14332     | 4095        |
| 144.8    | 253     | 1.9 | 9.94  | S082         | TS112MA4 | 14323     | 4092        |
| 144.0    | 246     | Ex  | 20.14 | S082         | TS112MA2 | 14376     | 4107        |
| 142.5    | 248     | Ex  | 20.14 | S082         | TS100LB2 | 14419     | 4120        |
| 133.2    | 275     | 2.5 | 10.88 | S102         | TH112M4  | 18243     | 5212        |
| 133.2    | 275     | 2.5 | 10.88 | S102         | TP112M4  | 18243     | 5212        |

## 5.1 S GEARED MOTORS (50Hz)

## 4.00 kW

| n2<br>[rpm] | M2<br>[Nm] | fs  | i     | Gear<br>reducer | Motor    | Fr2<br>D [N] | Fr2<br>C-L [N] |
|-------------|------------|-----|-------|-----------------|----------|--------------|----------------|
| 132.4       | 267        | Ex  | 22.13 | S082            | TH112M2  | 14731        | 4209           |
| 132.4       | 267        | Ex  | 22.13 | S082            | TP112M2  | 14731        | 4209           |
| 132.3       | 277        | 2.5 | 10.88 | S102            | TS112MA4 | 18281        | 5223           |
| 132.2       | 280        | 1.4 | 7.34  | S082            | TH132MA6 | 14698        | 4199           |
| 132.2       | 280        | 1.4 | 7.34  | S082            | TP132MA6 | 14698        | 4199           |
| 131.1       | 270        | Ex  | 22.13 | S082            | TS112MA2 | 14775        | 4221           |
| 130.8       | 283        | 1.4 | 7.34  | S082            | TS132MA6 | 14742        | 4212           |
| 129.7       | 273        | Ex  | 22.13 | S082            | TS100LB2 | 14819        | 4234           |
| 126.4       | 280        | Ex  | 23.18 | S062            | TH112M2  | 6372         | 2549           |
| 126.4       | 280        | Ex  | 23.18 | S062            | TP112M2  | 6372         | 2549           |
| 125.1       | 283        | Ex  | 23.18 | S062            | TS112MA2 | 6381         | 2552           |
| 124.9       | 294        | 1.7 | 11.61 | S082            | TH112M4  | 14947        | 4271           |
| 124.9       | 294        | 1.7 | 11.61 | S082            | TP112M4  | 14947        | 4271           |
| 124.1       | 296        | 1.7 | 11.61 | S082            | TS112MA4 | 14977        | 4279           |
| 123.8       | 286        | Ex  | 23.18 | S062            | TS100LB2 | 6391         | 2556           |
| 122.1       | 290        | Ex  | 24.00 | S082            | TH112M2  | 15081        | 4309           |
| 122.1       | 290        | Ex  | 24.00 | S082            | TP112M2  | 15081        | 4309           |
| 120.8       | 293        | Ex  | 24.00 | S082            | TS112MA2 | 15125        | 4322           |
| 120.3       | 308        | 1.4 | 8.06  | S082            | TH132MA6 | 15099        | 4314           |
| 120.3       | 308        | 1.4 | 8.06  | S082            | TP132MA6 | 15099        | 4314           |
| 120.3       | 308        | 2.0 | 8.06  | S102            | TH132MA6 | 18806        | 5373           |
| 120.3       | 308        | 2.0 | 8.06  | S102            | TP132MA6 | 18806        | 5373           |
| 119.6       | 296        | Ex  | 24.00 | S082            | TS100LB2 | 15171        | 4334           |
| 119.1       | 311        | 1.4 | 8.06  | S082            | TS132MA6 | 15144        | 4327           |
| 119.1       | 311        | 2.0 | 8.06  | S102            | TS132MA6 | 18865        | 5390           |
| 116.5       | 304        | Ex  | 25.14 | S062            | TH112M2  | 6443         | 2577           |
| 116.5       | 304        | Ex  | 25.14 | S062            | TP112M2  | 6443         | 2577           |
| 115.3       | 307        | Ex  | 25.14 | S062            | TS112MA2 | 6452         | 2581           |
| 114.1       | 310        | Ex  | 25.14 | S062            | TS100LB2 | 6460         | 2584           |
| 113.7       | 322        | 1.7 | 12.75 | S082            | TH112M4  | 15353        | 4387           |
| 113.7       | 322        | 1.7 | 12.75 | S082            | TP112M4  | 15353        | 4387           |
| 113.7       | 322        | 2.2 | 12.75 | S102            | TH112M4  | 19136        | 5467           |
| 113.7       | 322        | 2.2 | 12.75 | S102            | TP112M4  | 19136        | 5467           |
| 112.9       | 325        | 1.7 | 12.75 | S082            | TS112MA4 | 15384        | 4395           |
| 112.9       | 325        | 2.2 | 12.75 | S102            | TS112MA4 | 19176        | 5479           |
| 109.6       | 338        | 1.9 | 8.85  | S102            | TH132MA6 | 19338        | 5525           |
| 109.6       | 338        | 1.9 | 8.85  | S102            | TP132MA6 | 19338        | 5525           |
| 108.5       | 341        | 1.9 | 8.85  | S102            | TS132MA6 | 19398        | 5542           |
| 107.4       | 330        | Ex  | 27.29 | S082            | TH112M2  | 15644        | 4470           |
| 107.4       | 330        | Ex  | 27.29 | S082            | TP112M2  | 15644        | 4470           |
| 106.3       | 333        | Ex  | 27.29 | S082            | TS112MA2 | 15690        | 4483           |

## 5.1 S GEARED MOTORS (50Hz)

## 4.00 kW

| n2<br>[rpm] | M2<br>[Nm] | fs  | i     | Gear<br>reducer | Motor    | Fr2<br>D [N] | Fr2<br>C-L [N] |
|-------------|------------|-----|-------|-----------------|----------|--------------|----------------|
| 105.2       | 336        | Ex  | 27.29 | S082            | TS100LB2 | 15736        | 4496           |
| 103.6       | 354        | 2.4 | 13.99 | S102            | TH112M4  | 19676        | 5622           |
| 103.6       | 354        | 2.4 | 13.99 | S102            | TP112M4  | 19676        | 5622           |
| 102.9       | 356        | 2.4 | 13.99 | S102            | TS112MA4 | 19716        | 5633           |
| 102.2       | 346        | Ex  | 28.67 | S082            | TH112M2  | 15865        | 4533           |
| 102.2       | 346        | Ex  | 28.67 | S082            | TP112M2  | 15865        | 4533           |
| 101.1       | 350        | Ex  | 28.67 | S082            | TS112MA2 | 15911        | 4546           |
| 100.1       | 354        | Ex  | 28.67 | S082            | TS100LB2 | 15958        | 4559           |
| 97.5        | 380        | 1.2 | 9.94  | S082            | TH132MA6 | 16018        | 4577           |
| 97.5        | 380        | 1.2 | 9.94  | S082            | TP132MA6 | 16018        | 4577           |
| 96.5        | 384        | 1.2 | 9.94  | S082            | TS132MA6 | 16064        | 4590           |
| 92.2        | 384        | Ex  | 31.78 | S082            | TH112M2  | 16328        | 4665           |
| 92.2        | 384        | Ex  | 31.78 | S082            | TP112M2  | 16328        | 4665           |
| 91.3        | 388        | Ex  | 31.78 | S082            | TS112MA2 | 16375        | 4679           |
| 90.3        | 392        | Ex  | 31.78 | S082            | TS100LB2 | 16422        | 4692           |
| 89.1        | 416        | 1.6 | 10.88 | S102            | TH132MA6 | 20568        | 5876           |
| 89.1        | 416        | 1.6 | 10.88 | S102            | TP132MA6 | 20568        | 5876           |
| 88.2        | 420        | 1.6 | 10.88 | S102            | TS132MA6 | 20631        | 5894           |
| 84.2        | 435        | 2.2 | 17.21 | S102            | TH112M4  | 20922        | 5978           |
| 84.2        | 435        | 2.2 | 17.21 | S102            | TP112M4  | 20922        | 5978           |
| 83.9        | 422        | Ex  | 34.91 | S082            | TH112M2  | 16758        | 4788           |
| 83.9        | 422        | Ex  | 34.91 | S082            | TP112M2  | 16758        | 4788           |
| 83.8        | 437        | 1.3 | 17.29 | S082            | TH112M4  | 16713        | 4775           |
| 83.8        | 437        | 1.3 | 17.29 | S082            | TP112M4  | 16713        | 4775           |
| 83.7        | 438        | 2.1 | 17.21 | S102            | TS112MA4 | 20965        | 5990           |
| 83.6        | 443        | 1.1 | 11.61 | S082            | TH132MA6 | 16713        | 4775           |
| 83.6        | 443        | 1.1 | 11.61 | S082            | TP132MA6 | 16713        | 4775           |
| 83.3        | 440        | 1.3 | 17.29 | S082            | TS112MA4 | 16744        | 4784           |
| 83.1        | 426        | Ex  | 34.91 | S082            | TS112MA2 | 16806        | 4802           |
| 82.7        | 448        | 1.1 | 11.61 | S082            | TS132MA6 | 16760        | 4789           |
| 82.2        | 430        | Ex  | 34.91 | S082            | TS100LB2 | 16854        | 4815           |
| 76.3        | 481        | 2.1 | 19.00 | S102            | TH112M4  | 21536        | 6153           |
| 76.3        | 481        | 2.1 | 19.00 | S102            | TP112M4  | 21536        | 6153           |
| 76.1        | 487        | 1.1 | 12.75 | S082            | TH132MA6 | 17142        | 4898           |
| 76.1        | 487        | 1.1 | 12.75 | S082            | TP132MA6 | 17142        | 4898           |
| 76.1        | 487        | 1.5 | 12.75 | S102            | TH132MA6 | 21543        | 6155           |
| 76.1        | 487        | 1.5 | 12.75 | S102            | TP132MA6 | 21543        | 6155           |
| 75.8        | 484        | 2.1 | 19.00 | S102            | TS112MA4 | 21579        | 6166           |
| 75.3        | 492        | 1.1 | 12.75 | S082            | TS132MA6 | 17189        | 4911           |
| 75.3        | 492        | 1.5 | 12.75 | S102            | TS132MA6 | 21608        | 6174           |
| 73.2        | 484        | Ex  | 40.05 | S082            | TH112M2  | 17396        | 4970           |



## 5.1 S GEARED MOTORS (50Hz)

## 4.00 kW

| n <sub>2</sub><br>[rpm] | M <sub>2</sub><br>[Nm] | f <sub>s</sub> | i     | Gear<br>reducer | Motor    | Fr <sub>2</sub><br>D [N] | Fr <sub>2</sub><br>C-L [N] |
|-------------------------|------------------------|----------------|-------|-----------------|----------|--------------------------|----------------------------|
| 73.2                    | 484                    | Ex             | 40.05 | S082            | TP112M2  | 17396                    | 4970                       |
| 72.4                    | 489                    | Ex             | 40.05 | S082            | TS112MA2 | 17444                    | 4984                       |
| 72.0                    | 509                    | 1.1            | 20.14 | S082            | TH112M4  | 17412                    | 4975                       |
| 72.0                    | 509                    | 1.1            | 20.14 | S082            | TP112M4  | 17412                    | 4975                       |
| 71.7                    | 494                    | Ex             | 40.05 | S082            | TS100LB2 | 17493                    | 4998                       |
| 71.5                    | 513                    | 1.1            | 20.14 | S082            | TS112MA4 | 17444                    | 4984                       |
| 69.3                    | 534                    | 1.6            | 13.99 | S102            | TH132MA6 | 22000                    | 6323                       |
| 69.3                    | 534                    | 1.6            | 13.99 | S102            | TP132MA6 | 22000                    | 6323                       |
| 68.6                    | 540                    | 1.6            | 13.99 | S102            | TS132MA6 | 22000                    | 6342                       |
| 68.1                    | 520                    | Ex             | 43.05 | S082            | TH112M2  | 17735                    | 5067                       |
| 68.1                    | 520                    | Ex             | 43.05 | S082            | TP112M2  | 17735                    | 5067                       |
| 67.4                    | 525                    | Ex             | 43.05 | S082            | TS112MA2 | 17784                    | 5081                       |
| 66.7                    | 531                    | Ex             | 43.05 | S082            | TS100LB2 | 17833                    | 5095                       |
| 65.5                    | 560                    | 1.0            | 22.13 | S082            | TH112M4  | 17848                    | 5100                       |
| 65.5                    | 560                    | 1.0            | 22.13 | S082            | TP112M4  | 17848                    | 5100                       |
| 65.5                    | 560                    | 1.8            | 22.13 | S102            | TH112M4  | 22000                    | 6430                       |
| 65.5                    | 560                    | 1.8            | 22.13 | S102            | TP112M4  | 22000                    | 6430                       |
| 65.1                    | 563                    | 1.0            | 22.13 | S082            | TS112MA4 | 17881                    | 5109                       |
| 65.1                    | 563                    | 1.8            | 22.13 | S102            | TS112MA4 | 22000                    | 6443                       |
| 59.7                    | 614                    | 1.8            | 24.28 | S102            | TH112M4  | 22000                    | 6602                       |
| 59.7                    | 614                    | 1.8            | 24.28 | S102            | TP112M4  | 22000                    | 6602                       |
| 59.3                    | 618                    | 1.7            | 24.28 | S102            | TS112MA4 | 22000                    | 6615                       |
| 58.3                    | 607                    | Ex             | 50.25 | S082            | TH112M2  | 18000                    | 5276                       |
| 58.3                    | 607                    | Ex             | 50.25 | S082            | TP112M2  | 18000                    | 5276                       |
| 57.7                    | 613                    | Ex             | 50.25 | S082            | TS112MA2 | 18000                    | 5290                       |
| 57.1                    | 620                    | Ex             | 50.25 | S082            | TS100LB2 | 18000                    | 5304                       |
| 56.4                    | 657                    | 1.4            | 17.21 | S102            | TH132MA6 | 22000                    | 6707                       |
| 56.4                    | 657                    | 1.4            | 17.21 | S102            | TP132MA6 | 22000                    | 6707                       |
| 55.8                    | 664                    | 1.4            | 17.21 | S102            | TS132MA6 | 22000                    | 6727                       |
| 55.1                    | 666                    | 1.6            | 26.33 | S102            | TH112M4  | 22000                    | 6756                       |
| 55.1                    | 666                    | 1.6            | 26.33 | S102            | TP112M4  | 22000                    | 6756                       |
| 54.7                    | 671                    | 1.6            | 26.33 | S102            | TS112MA4 | 22000                    | 6769                       |
| 54.0                    | 655                    | Ex             | 54.27 | S082            | TH112M2  | 18000                    | 5381                       |
| 54.0                    | 655                    | Ex             | 54.27 | S082            | TP112M2  | 18000                    | 5381                       |
| 53.4                    | 662                    | Ex             | 54.27 | S082            | TS112MA2 | 18000                    | 5395                       |
| 52.9                    | 669                    | Ex             | 54.27 | S082            | TS100LB2 | 18000                    | 5409                       |
| 51.1                    | 726                    | 1.4            | 19.00 | S102            | TH132MA6 | 22000                    | 6895                       |
| 51.1                    | 726                    | 1.4            | 19.00 | S102            | TP132MA6 | 22000                    | 6895                       |
| 50.5                    | 733                    | 1.4            | 19.00 | S102            | TS132MA6 | 22000                    | 6915                       |
| 48.5                    | 755                    | 1.4            | 29.87 | S102            | TH112M4  | 22000                    | 6997                       |
| 48.5                    | 755                    | 1.4            | 29.87 | S102            | TP112M4  | 22000                    | 6997                       |

## 5.1 S GEARED MOTORS (50Hz)

## 4.00 kW

| n2<br>[rpm] | M2<br>[Nm] | fs  | i     | Gear<br>reducer | Motor    | Fr2<br>D [N] | Fr2<br>C-L [N] |
|-------------|------------|-----|-------|-----------------|----------|--------------|----------------|
| 48.2        | 761        | 1.4 | 29.87 | S102            | TS112MA4 | 22000        | 7011           |
| 47.5        | 772        | 3.3 | 30.51 | S122            | TH112M4  | 30000        | 10053          |
| 47.5        | 772        | 3.3 | 30.51 | S122            | TP112M4  | 30000        | 10053          |
| 47.2        | 777        | 3.3 | 30.51 | S122            | TS112MA4 | 30000        | 10072          |
| 45.6        | 804        | 1.1 | 31.78 | S082            | TH112M4  | 18000        | 5584           |
| 45.6        | 804        | 1.1 | 31.78 | S082            | TP112M4  | 18000        | 5584           |
| 45.6        | 811        | 2.5 | 21.25 | S122            | TH132MA6 | 30000        | 10156          |
| 45.6        | 811        | 2.5 | 21.25 | S122            | TP132MA6 | 30000        | 10156          |
| 45.3        | 809        | 1.1 | 31.78 | S082            | TS112MA4 | 18000        | 5593           |
| 45.2        | 820        | 2.5 | 21.25 | S122            | TS132MA6 | 30000        | 10184          |
| 44.8        | 819        | 1.6 | 32.40 | S102            | TH112M4  | 22000        | 7155           |
| 44.8        | 819        | 1.6 | 32.40 | S102            | TP112M4  | 22000        | 7155           |
| 44.4        | 825        | 1.6 | 32.40 | S102            | TS112MA4 | 22000        | 7169           |
| 43.8        | 845        | 1.2 | 22.13 | S102            | TH132MA6 | 22000        | 7190           |
| 43.8        | 845        | 1.2 | 22.13 | S102            | TP132MA6 | 22000        | 7190           |
| 43.4        | 854        | 1.2 | 22.13 | S102            | TS132MA6 | 22000        | 7210           |
| 43.4        | 846        | 3.0 | 33.44 | S122            | TH112M4  | 30000        | 10308          |
| 43.4        | 846        | 3.0 | 33.44 | S122            | TP112M4  | 30000        | 10308          |
| 43.1        | 852        | 3.0 | 33.44 | S122            | TS112MA4 | 30000        | 10327          |
| 41.6        | 889        | 2.4 | 23.29 | S122            | TH132MA6 | 30000        | 10410          |
| 41.6        | 889        | 2.4 | 23.29 | S122            | TP132MA6 | 30000        | 10410          |
| 41.5        | 883        | 1.4 | 34.91 | S102            | TH112M4  | 22000        | 7302           |
| 41.5        | 883        | 1.4 | 34.91 | S102            | TP112M4  | 22000        | 7302           |
| 41.3        | 889        | 1.3 | 34.91 | S102            | TS112MA4 | 22000        | 7316           |
| 41.2        | 899        | 2.3 | 23.29 | S122            | TS132MA6 | 30000        | 10439          |
| 41.2        | 890        | 2.9 | 35.20 | S122            | TH112M4  | 30000        | 10451          |
| 41.2        | 890        | 2.9 | 35.20 | S122            | TP112M4  | 30000        | 10451          |
| 40.9        | 896        | 2.9 | 35.20 | S122            | TS112MA4 | 30000        | 10470          |
| 40.0        | 927        | 1.2 | 24.28 | S102            | TH132MA6 | 22000        | 7372           |
| 40.0        | 927        | 1.2 | 24.28 | S102            | TP132MA6 | 22000        | 7372           |
| 39.5        | 937        | 1.2 | 24.28 | S102            | TS132MA6 | 22000        | 7392           |
| 37.9        | 969        | 1.3 | 38.30 | S102            | TH112M4  | 22000        | 7486           |
| 37.9        | 969        | 1.3 | 38.30 | S102            | TP112M4  | 22000        | 7486           |
| 37.6        | 975        | 1.3 | 38.30 | S102            | TS112MA4 | 22000        | 7499           |
| 37.1        | 999        | 2.2 | 26.15 | S122            | TH132MA6 | 30000        | 10736          |
| 37.1        | 999        | 2.2 | 26.15 | S122            | TP132MA6 | 30000        | 10736          |
| 36.8        | 1006       | 1.1 | 26.33 | S102            | TH132MA6 | 22000        | 7533           |
| 36.8        | 1006       | 1.1 | 26.33 | S102            | TP132MA6 | 22000        | 7533           |
| 36.7        | 1009       | 2.1 | 26.15 | S122            | TS132MA6 | 30000        | 10765          |
| 36.5        | 1016       | 1.1 | 26.33 | S102            | TS132MA6 | 22000        | 7553           |
| 35.3        | 1039       | 2.5 | 41.07 | S122            | TH112M4  | 30000        | 10886          |

## 4.00 kW

| n <sub>2</sub><br>[rpm] | M <sub>2</sub><br>[Nm] | f <sub>s</sub> | i     | Gear<br>reducer | Motor    | Fr <sub>2</sub><br>D [N] | Fr <sub>2</sub><br>C-L [N] |
|-------------------------|------------------------|----------------|-------|-----------------|----------|--------------------------|----------------------------|
| 35.3                    | 1039                   | 2.5            | 41.07 | S122            | TP112M4  | 30000                    | 10886                      |
| 35.1                    | 1046                   | 2.4            | 41.07 | S122            | TS112MA4 | 30000                    | 10905                      |
| 33.9                    | 1092                   | 2.0            | 28.60 | S122            | TH132MA6 | 30000                    | 10988                      |
| 33.9                    | 1092                   | 2.0            | 28.60 | S122            | TP132MA6 | 30000                    | 10988                      |
| 33.6                    | 1103                   | 2.0            | 28.60 | S122            | TS132MA6 | 30000                    | 11018                      |
| 33.3                    | 1103                   | 2.3            | 43.60 | S122            | TH112M4  | 30000                    | 11056                      |
| 33.3                    | 1103                   | 2.3            | 43.60 | S122            | TP112M4  | 30000                    | 11056                      |
| 33.0                    | 1110                   | 2.3            | 43.60 | S122            | TS112MA4 | 30000                    | 11075                      |
| 31.8                    | 1165                   | 2.2            | 30.51 | S122            | TH132MA6 | 30000                    | 11172                      |
| 31.8                    | 1165                   | 2.2            | 30.51 | S122            | TP132MA6 | 30000                    | 11172                      |
| 31.5                    | 1177                   | 2.2            | 30.51 | S122            | TS132MA6 | 30000                    | 11200                      |
| 30.8                    | 1192                   | 1.1            | 47.13 | S102            | TH112M4  | 22000                    | 7901                       |
| 30.8                    | 1192                   | 1.1            | 47.13 | S102            | TP112M4  | 22000                    | 7901                       |
| 30.6                    | 1200                   | 1.1            | 47.13 | S102            | TS112MA4 | 22000                    | 7915                       |
| 29.9                    | 1237                   | 1.0            | 32.40 | S102            | TH132MA6 | 22000                    | 7947                       |
| 29.9                    | 1237                   | 1.0            | 32.40 | S102            | TP132MA6 | 22000                    | 7947                       |
| 29.6                    | 1250                   | 1.0            | 32.40 | S102            | TS132MA6 | 22000                    | 7968                       |
| 29.6                    | 1240                   | 1.7            | 49.04 | S122            | TH112M4  | 30000                    | 11200                      |
| 29.6                    | 1240                   | 1.7            | 49.04 | S122            | TP112M4  | 30000                    | 11200                      |
| 29.4                    | 1249                   | 1.6            | 49.04 | S122            | TS112MA4 | 30000                    | 11200                      |
| 29.0                    | 1277                   | 2.0            | 33.44 | S122            | TH132MA6 | 30000                    | 11200                      |
| 29.0                    | 1277                   | 2.0            | 33.44 | S122            | TP132MA6 | 30000                    | 11200                      |
| 28.7                    | 1290                   | 2.0            | 33.44 | S122            | TS132MA6 | 30000                    | 11200                      |
| 27.6                    | 1344                   | 1.9            | 35.20 | S122            | TH132MA6 | 30000                    | 11200                      |
| 27.6                    | 1344                   | 1.9            | 35.20 | S122            | TP132MA6 | 30000                    | 11200                      |
| 27.3                    | 1358                   | 1.9            | 35.20 | S122            | TS132MA6 | 30000                    | 11200                      |
| 27.0                    | 1359                   | 1.6            | 53.75 | S122            | TH112M4  | 30000                    | 11200                      |
| 27.0                    | 1359                   | 1.6            | 53.75 | S122            | TP112M4  | 30000                    | 11200                      |
| 26.8                    | 1369                   | 1.6            | 53.75 | S122            | TS112MA4 | 30000                    | 11200                      |
| 23.6                    | 1568                   | 1.6            | 41.07 | S122            | TH132MA6 | 30000                    | 11200                      |
| 23.6                    | 1568                   | 1.6            | 41.07 | S122            | TP132MA6 | 30000                    | 11200                      |
| 23.4                    | 1584                   | 1.6            | 41.07 | S122            | TS132MA6 | 30000                    | 11200                      |
| 22.2                    | 1665                   | 1.5            | 43.60 | S122            | TH132MA6 | 30000                    | 11200                      |
| 22.2                    | 1665                   | 1.5            | 43.60 | S122            | TP132MA6 | 30000                    | 11200                      |
| 22.0                    | 1682                   | 1.5            | 43.60 | S122            | TS132MA6 | 30000                    | 11200                      |
| 22.0                    | 1669                   | 1.5            | 66.00 | S122            | TH112M4  | 30000                    | 11200                      |
| 22.0                    | 1669                   | 1.5            | 66.00 | S122            | TP112M4  | 30000                    | 11200                      |
| 21.8                    | 1681                   | 1.5            | 66.00 | S122            | TS112MA4 | 30000                    | 11200                      |
| 20.4                    | 1760                   | 1.3            | 71.07 | S123            | TH112M4  | 30000                    | 11200                      |
| 20.4                    | 1760                   | 1.3            | 71.07 | S123            | TP112M4  | 30000                    | 11200                      |
| 20.3                    | 1772                   | 1.3            | 71.07 | S123            | TS112MA4 | 30000                    | 11200                      |

## 5.1 S GEARED MOTORS (50Hz)

## 4.00 kW

| n2 [rpm] | M2 [Nm] | fs  | i     | Gear reducer | Motor    | Fr2 D [N] | Fr2 C-L [N] |
|----------|---------|-----|-------|--------------|----------|-----------|-------------|
| 19.8     | 1872    | 1.1 | 49.04 | S122         | TH132MA6 | 30000     | 11200       |
| 19.8     | 1872    | 1.1 | 49.04 | S122         | TP132MA6 | 30000     | 11200       |
| 19.6     | 1892    | 1.1 | 49.04 | S122         | TS132MA6 | 30000     | 11200       |
| 18.0     | 2052    | 1.1 | 53.75 | S122         | TH132MA6 | 30000     | 11200       |
| 18.0     | 2052    | 1.1 | 53.75 | S122         | TP132MA6 | 30000     | 11200       |
| 17.9     | 2074    | 1.1 | 53.75 | S122         | TS132MA6 | 30000     | 11200       |
| 16.6     | 2161    | 1.2 | 87.27 | S123         | TH112M4  | 30000     | 11200       |
| 16.6     | 2161    | 1.2 | 87.27 | S123         | TP112M4  | 30000     | 11200       |
| 16.5     | 2176    | 1.2 | 87.27 | S123         | TS112MA4 | 30000     | 11200       |
| 14.7     | 2520    | 1.0 | 66.00 | S122         | TH132MA6 | 30000     | 11200       |
| 14.7     | 2520    | 1.0 | 66.00 | S122         | TP132MA6 | 30000     | 11200       |
| 14.5     | 2546    | 1.0 | 66.00 | S122         | TS132MA6 | 30000     | 11200       |

## 4.80 kW

| n2 [rpm] | M2 [Nm] | fs  | i     | Gear reducer | Motor    | Fr2 D [N] | Fr2 C-L [N] |
|----------|---------|-----|-------|--------------|----------|-----------|-------------|
| 194.9    | 226     | 1.8 | 7.34  | S082         | TS112MB4 | 12999     | 3714        |
| 177.4    | 248     | 1.7 | 8.06  | S082         | TS112MB4 | 13359     | 3817        |
| 177.4    | 248     | 2.5 | 8.06  | S102         | TS112MB4 | 16604     | 4744        |
| 161.6    | 272     | 2.4 | 8.85  | S102         | TS112MB4 | 17078     | 4879        |
| 143.8    | 306     | 1.5 | 9.94  | S082         | TS112MB4 | 14184     | 4053        |
| 131.4    | 335     | 2.0 | 10.88 | S102         | TS112MB4 | 18175     | 5193        |
| 123.2    | 357     | 1.4 | 11.61 | S082         | TS112MB4 | 14811     | 4232        |
| 112.2    | 392     | 1.4 | 12.75 | S082         | TS112MB4 | 15199     | 4343        |
| 112.2    | 392     | 1.8 | 12.75 | S102         | TS112MB4 | 19046     | 5442        |
| 102.2    | 431     | 2.0 | 13.99 | S102         | TS112MB4 | 19571     | 5592        |
| 83.1     | 530     | 1.8 | 17.21 | S102         | TS112MB4 | 20779     | 5937        |
| 82.7     | 532     | 1.0 | 17.29 | S082         | TS112MB4 | 16485     | 4710        |
| 75.3     | 585     | 1.7 | 19.00 | S102         | TS112MB4 | 21370     | 6106        |
| 64.6     | 681     | 1.5 | 22.13 | S102         | TS112MB4 | 22000     | 6371        |
| 58.9     | 747     | 1.4 | 24.28 | S102         | TS112MB4 | 22000     | 6536        |
| 54.7     | 805     | 2.7 | 26.15 | S122         | TS112MB4 | 30000     | 9525        |
| 54.3     | 810     | 1.3 | 26.33 | S102         | TS112MB4 | 22000     | 6682        |
| 50.0     | 880     | 2.5 | 28.60 | S122         | TS112MB4 | 30000     | 9755        |
| 47.9     | 919     | 1.2 | 29.87 | S102         | TS112MB4 | 22000     | 6911        |
| 46.9     | 939     | 2.7 | 30.51 | S122         | TS112MB4 | 30000     | 9922        |
| 44.1     | 997     | 1.3 | 32.40 | S102         | TS112MB4 | 22000     | 7059        |
| 42.8     | 1029    | 2.5 | 33.44 | S122         | TS112MB4 | 30000     | 10161       |
| 41.0     | 1074    | 1.1 | 34.91 | S102         | TS112MB4 | 22000     | 7197        |
| 40.6     | 1083    | 2.4 | 35.20 | S122         | TS112MB4 | 30000     | 10294       |
| 37.3     | 1179    | 1.1 | 38.30 | S102         | TS112MB4 | 22000     | 7368        |

## 5.1 S GEARED MOTORS (50Hz)

## 4.80 kW

| n2 [rpm] | M2 [Nm] | fs  | i     | Gear reducer | Motor    | Fr2 D [N] | Fr2 C-L [N] |
|----------|---------|-----|-------|--------------|----------|-----------|-------------|
| 34.8     | 1264    | 2.0 | 41.07 | S122         | TS112MB4 | 30000     | 10697       |
| 32.8     | 1342    | 1.9 | 43.60 | S122         | TS112MB4 | 30000     | 10853       |
| 29.2     | 1509    | 1.4 | 49.04 | S122         | TS112MB4 | 30000     | 11159       |
| 26.6     | 1654    | 1.3 | 53.75 | S122         | TS112MB4 | 30000     | 11200       |
| 21.7     | 2031    | 1.3 | 66.00 | S122         | TS112MB4 | 30000     | 11200       |
| 20.1     | 2142    | 1.1 | 71.07 | S123         | TS112MB4 | 30000     | 11200       |

## 5.50 kW

| n2 [rpm] | M2 [Nm] | fs  | i     | Gear reducer | Motor    | Fr2 D [N] | Fr2 C-L [N] |
|----------|---------|-----|-------|--------------|----------|-----------|-------------|
| 200.3    | 252     | 1.6 | 7.34  | S082         | TP132MS4 | 12789     | 3654        |
| 198.9    | 253     | 1.6 | 7.34  | S082         | TH132S4  | 12814     | 3661        |
| 197.6    | 255     | 1.6 | 7.34  | S082         | TS132S4  | 12840     | 3668        |
| 182.3    | 277     | 1.6 | 8.06  | S082         | TP132MS4 | 13137     | 3753        |
| 182.3    | 277     | 2.2 | 8.06  | S102         | TP132MS4 | 16374     | 4678        |
| 181.1    | 278     | 1.6 | 8.06  | S082         | TH132S4  | 13162     | 3761        |
| 181.1    | 278     | 2.2 | 8.06  | S102         | TH132S4  | 16408     | 4688        |
| 179.8    | 280     | 1.5 | 8.06  | S082         | TS132S4  | 13188     | 3768        |
| 179.8    | 280     | 2.2 | 8.06  | S102         | TS132S4  | 16442     | 4698        |
| 170.6    | 285     | Ex  | 17.29 | S082         | TP132S2  | 13421     | 3834        |
| 170.0    | 286     | Ex  | 17.29 | S082         | TH132SA2 | 13433     | 3838        |
| 168.3    | 289     | Ex  | 17.29 | S082         | TS112MB2 | 13472     | 3849        |
| 168.3    | 289     | Ex  | 17.29 | S082         | TS132SA2 | 13472     | 3849        |
| 166.2    | 303     | 2.1 | 8.85  | S102         | TP132MS4 | 16836     | 4810        |
| 165.0    | 306     | 2.1 | 8.85  | S102         | TH132S4  | 16870     | 4820        |
| 163.9    | 308     | 2.1 | 8.85  | S102         | TS132S4  | 16905     | 4830        |
| 147.8    | 341     | 1.4 | 9.94  | S082         | TP132MS4 | 13931     | 3980        |
| 146.8    | 343     | 1.4 | 9.94  | S082         | TH132S4  | 13958     | 3988        |
| 146.5    | 332     | Ex  | 20.14 | S082         | TP132S2  | 14006     | 4002        |
| 146.0    | 333     | Ex  | 20.14 | S082         | TH132SA2 | 14019     | 4006        |
| 145.8    | 346     | 1.4 | 9.94  | S082         | TS132S4  | 13984     | 3995        |
| 144.5    | 337     | Ex  | 20.14 | S082         | TS112MB2 | 14059     | 4017        |
| 144.5    | 337     | Ex  | 20.14 | S082         | TS132SA2 | 14059     | 4017        |
| 135.1    | 373     | 1.8 | 10.88 | S102         | TP132MS4 | 17902     | 5115        |
| 134.1    | 376     | 1.8 | 10.88 | S102         | TH132S4  | 17938     | 5125        |
| 133.3    | 365     | Ex  | 22.13 | S082         | TP132S2  | 14375     | 4107        |
| 133.2    | 379     | 1.8 | 10.88 | S102         | TS132S4  | 17975     | 5136        |
| 132.9    | 366     | Ex  | 22.13 | S082         | TH132SA2 | 14388     | 4111        |
| 132.2    | 385     | 1.0 | 7.34  | S082         | TH132MB6 | 14353     | 4101        |
| 132.2    | 385     | 1.0 | 7.34  | S082         | TP132MB6 | 14353     | 4101        |
| 131.5    | 370     | Ex  | 22.13 | S082         | TS112MB2 | 14428     | 4122        |

## 5.1 S GEARED MOTORS (50Hz)

## 5.50 kW

| n <sub>2</sub><br>[rpm] | M <sub>2</sub><br>[Nm] | f <sub>s</sub> | i     | Gear<br>reducer | Motor    | Fr <sub>2</sub><br>D [N] | Fr <sub>2</sub><br>C-L [N] |
|-------------------------|------------------------|----------------|-------|-----------------|----------|--------------------------|----------------------------|
| 131.5                   | 370                    | Ex             | 22.13 | S082            | TS132SA2 | 14428                    | 4122                       |
| 130.8                   | 389                    | 1.0            | 7.34  | S082            | TS132MB6 | 14393                    | 4112                       |
| 126.7                   | 398                    | 1.3            | 11.61 | S082            | TP132MS4 | 14532                    | 4152                       |
| 125.8                   | 401                    | 1.3            | 11.61 | S082            | TH132S4  | 14558                    | 4160                       |
| 124.9                   | 404                    | 1.3            | 11.61 | S082            | TS132S4  | 14585                    | 4167                       |
| 122.9                   | 396                    | Ex             | 24.00 | S082            | TP132S2  | 14697                    | 4199                       |
| 122.5                   | 397                    | Ex             | 24.00 | S082            | TH132SA2 | 14710                    | 4203                       |
| 121.3                   | 401                    | Ex             | 24.00 | S082            | TS112MB2 | 14751                    | 4215                       |
| 121.3                   | 401                    | Ex             | 24.00 | S082            | TS132SA2 | 14751                    | 4215                       |
| 120.3                   | 423                    | 1.0            | 8.06  | S082            | TH132MB6 | 14720                    | 4206                       |
| 120.3                   | 423                    | 1.0            | 8.06  | S082            | TP132MB6 | 14720                    | 4206                       |
| 120.3                   | 423                    | 1.4            | 8.06  | S102            | TH132MB6 | 18507                    | 5288                       |
| 120.3                   | 423                    | 1.4            | 8.06  | S102            | TP132MB6 | 18507                    | 5288                       |
| 119.1                   | 428                    | 1.0            | 8.06  | S082            | TS132MB6 | 14761                    | 4217                       |
| 119.1                   | 428                    | 1.4            | 8.06  | S102            | TS132MB6 | 18562                    | 5304                       |
| 115.3                   | 437                    | 1.2            | 12.75 | S082            | TP132MS4 | 14902                    | 4258                       |
| 115.3                   | 437                    | 1.6            | 12.75 | S102            | TP132MS4 | 18748                    | 5357                       |
| 114.5                   | 440                    | 1.2            | 12.75 | S082            | TH132S4  | 14929                    | 4265                       |
| 114.5                   | 440                    | 1.6            | 12.75 | S102            | TH132S4  | 18785                    | 5367                       |
| 113.7                   | 443                    | 1.2            | 12.75 | S082            | TS132S4  | 14956                    | 4273                       |
| 113.7                   | 443                    | 1.6            | 12.75 | S102            | TS132S4  | 18822                    | 5378                       |
| 109.6                   | 464                    | 1.4            | 8.85  | S102            | TH132MB6 | 19010                    | 5431                       |
| 109.6                   | 464                    | 1.4            | 8.85  | S102            | TP132MB6 | 19010                    | 5431                       |
| 108.5                   | 469                    | 1.4            | 8.85  | S102            | TS132MB6 | 19066                    | 5447                       |
| 108.1                   | 450                    | Ex             | 27.29 | S082            | TP132S2  | 15211                    | 4346                       |
| 107.7                   | 452                    | Ex             | 27.29 | S082            | TH132SA2 | 15224                    | 4350                       |
| 106.6                   | 456                    | Ex             | 27.29 | S082            | TS112MB2 | 15266                    | 4362                       |
| 106.6                   | 456                    | Ex             | 27.29 | S082            | TS132SA2 | 15266                    | 4362                       |
| 105.1                   | 480                    | 1.8            | 13.99 | S102            | TP132MS4 | 19256                    | 5502                       |
| 104.4                   | 483                    | 1.8            | 13.99 | S102            | TH132S4  | 19293                    | 5512                       |
| 103.6                   | 486                    | 1.8            | 13.99 | S102            | TS132S4  | 19331                    | 5523                       |
| 102.9                   | 473                    | Ex             | 28.67 | S082            | TP132S2  | 15411                    | 4403                       |
| 102.5                   | 475                    | Ex             | 28.67 | S082            | TH132SA2 | 15424                    | 4407                       |
| 101.5                   | 479                    | Ex             | 28.67 | S082            | TS112MB2 | 15466                    | 4419                       |
| 101.5                   | 479                    | Ex             | 28.67 | S082            | TS132SA2 | 15466                    | 4419                       |
| 92.8                    | 524                    | Ex             | 31.78 | S082            | TP132S2  | 15828                    | 4522                       |
| 92.5                    | 526                    | Ex             | 31.78 | S082            | TH132SA2 | 15841                    | 4526                       |
| 91.6                    | 531                    | Ex             | 31.78 | S082            | TS112MB2 | 15883                    | 4538                       |
| 91.6                    | 531                    | Ex             | 31.78 | S082            | TS132SA2 | 15883                    | 4538                       |
| 89.1                    | 571                    | 1.2            | 10.88 | S102            | TH132MB6 | 20163                    | 5761                       |
| 89.1                    | 571                    | 1.2            | 10.88 | S102            | TP132MB6 | 20163                    | 5761                       |

## 5.1 S GEARED MOTORS (50Hz)

## 5.50 kW

| n2<br>[rpm] | M2<br>[Nm] | fs  | i     | Gear<br>reducer | Motor    | Fr2<br>D [N] | Fr2<br>C-L [N] |
|-------------|------------|-----|-------|-----------------|----------|--------------|----------------|
| 88.2        | 577        | 1.2 | 10.88 | S102            | TS132MB6 | 20222        | 5778           |
| 85.4        | 590        | 1.6 | 17.21 | S102            | TP132MS4 | 20420        | 5834           |
| 84.8        | 594        | 1.6 | 17.21 | S102            | TH132S4  | 20459        | 5846           |
| 84.5        | 576        | Ex  | 34.91 | S082            | TP132S2  | 16211        | 4632           |
| 84.2        | 578        | Ex  | 34.91 | S082            | TH132SA2 | 16225        | 4636           |
| 84.2        | 599        | 1.6 | 17.21 | S102            | TS132S4  | 20499        | 5857           |
| 83.4        | 584        | Ex  | 34.91 | S082            | TS112MB2 | 16267        | 4648           |
| 83.4        | 584        | Ex  | 34.91 | S082            | TS132SA2 | 16267        | 4648           |
| 77.4        | 652        | 1.5 | 19.00 | S102            | TP132MS4 | 20989        | 5997           |
| 76.8        | 656        | 1.5 | 19.00 | S102            | TH132S4  | 21028        | 6008           |
| 76.3        | 661        | 1.5 | 19.00 | S102            | TS132S4  | 21068        | 6020           |
| 76.1        | 669        | 1.1 | 12.75 | S102            | TH132MB6 | 21069        | 6020           |
| 76.1        | 669        | 1.1 | 12.75 | S102            | TP132MB6 | 21069        | 6020           |
| 75.3        | 676        | 1.1 | 12.75 | S102            | TS132MB6 | 21129        | 6037           |
| 72.7        | 670        | Ex  | 40.05 | S082            | TS112MB2 | 16828        | 4808           |
| 69.3        | 734        | 1.2 | 13.99 | S102            | TH132MB6 | 21609        | 6174           |
| 69.3        | 734        | 1.2 | 13.99 | S102            | TP132MB6 | 21609        | 6174           |
| 69.2        | 729        | 2.8 | 21.25 | S122            | TP132MS4 | 30000        | 8831           |
| 68.7        | 734        | 2.8 | 21.25 | S122            | TH132S4  | 30000        | 8847           |
| 68.6        | 742        | 1.2 | 13.99 | S102            | TS132MB6 | 21670        | 6191           |
| 68.2        | 739        | 2.7 | 21.25 | S122            | TS132S4  | 30000        | 8863           |
| 66.4        | 759        | 1.3 | 22.13 | S102            | TP132MS4 | 21879        | 6251           |
| 66.0        | 764        | 1.3 | 22.13 | S102            | TH132S4  | 21920        | 6263           |
| 65.5        | 769        | 1.3 | 22.13 | S102            | TS132S4  | 21960        | 6274           |
| 63.1        | 799        | 2.6 | 23.29 | S122            | TP132MS4 | 30000        | 9050           |
| 62.7        | 804        | 2.6 | 23.29 | S122            | TH132S4  | 30000        | 9067           |
| 62.3        | 810        | 2.6 | 23.29 | S122            | TS132S4  | 30000        | 9083           |
| 60.6        | 833        | 1.3 | 24.28 | S102            | TP132MS4 | 22000        | 6408           |
| 60.1        | 838        | 1.3 | 24.28 | S102            | TH132S4  | 22000        | 6420           |
| 59.7        | 844        | 1.3 | 24.28 | S102            | TS132S4  | 22000        | 6432           |
| 56.4        | 904        | 1.0 | 17.21 | S102            | TH132MB6 | 22000        | 6524           |
| 56.4        | 904        | 1.0 | 17.21 | S102            | TP132MB6 | 22000        | 6524           |
| 56.2        | 897        | 2.4 | 26.15 | S122            | TP132MS4 | 30000        | 9331           |
| 55.8        | 903        | 1.2 | 26.33 | S102            | TP132MS4 | 22000        | 6547           |
| 55.8        | 913        | 1.0 | 17.21 | S102            | TS132MB6 | 22000        | 6542           |
| 55.8        | 903        | 2.4 | 26.15 | S122            | TH132S4  | 30000        | 9347           |
| 55.4        | 909        | 1.2 | 26.33 | S102            | TH132S4  | 22000        | 6559           |
| 55.4        | 910        | 2.4 | 26.15 | S122            | TS132S4  | 30000        | 9364           |
| 55.1        | 916        | 1.2 | 26.33 | S102            | TS132S4  | 22000        | 6571           |
| 51.4        | 981        | 2.2 | 28.60 | S122            | TP132MS4 | 30000        | 9548           |
| 51.1        | 998        | 1.0 | 19.00 | S102            | TH132MB6 | 22000        | 6693           |

## 5.1 S GEARED MOTORS (50Hz)

## 5.50 kW

| n <sub>2</sub><br>[rpm] | M <sub>2</sub><br>[Nm] | f <sub>s</sub> | i     | Gear<br>reducer | Motor    | Fr <sub>2</sub><br>D [N] | Fr <sub>2</sub><br>C-L [N] |
|-------------------------|------------------------|----------------|-------|-----------------|----------|--------------------------|----------------------------|
| 51.1                    | 998                    | 1.0            | 19.00 | S102            | TP132MB6 | 22000                    | 6693                       |
| 51.0                    | 988                    | 2.2            | 28.60 | S122            | TH132S4  | 30000                    | 9565                       |
| 50.7                    | 995                    | 2.2            | 28.60 | S122            | TS132S4  | 30000                    | 9582                       |
| 50.5                    | 1008                   | 1.0            | 19.00 | S102            | TS132MB6 | 22000                    | 6711                       |
| 49.2                    | 1025                   | 1.1            | 29.87 | S102            | TP132MS4 | 22000                    | 6764                       |
| 48.9                    | 1032                   | 1.0            | 29.87 | S102            | TH132S4  | 22000                    | 6775                       |
| 48.5                    | 1039                   | 1.0            | 29.87 | S102            | TS132S4  | 22000                    | 6787                       |
| 48.2                    | 1047                   | 2.4            | 30.51 | S122            | TP132MS4 | 30000                    | 9706                       |
| 47.8                    | 1054                   | 2.4            | 30.51 | S122            | TH132S4  | 30000                    | 9723                       |
| 47.5                    | 1061                   | 2.4            | 30.51 | S122            | TS132S4  | 30000                    | 9740                       |
| 45.6                    | 1116                   | 1.8            | 21.25 | S122            | TH132MB6 | 30000                    | 9826                       |
| 45.6                    | 1116                   | 1.8            | 21.25 | S122            | TP132MB6 | 30000                    | 9826                       |
| 45.4                    | 1111                   | 1.2            | 32.40 | S102            | TP132MS4 | 22000                    | 6904                       |
| 45.2                    | 1127                   | 1.8            | 21.25 | S122            | TS132MB6 | 30000                    | 9852                       |
| 45.1                    | 1119                   | 1.1            | 32.40 | S102            | TH132S4  | 22000                    | 6916                       |
| 44.8                    | 1127                   | 1.1            | 32.40 | S102            | TS132S4  | 22000                    | 6928                       |
| 44.0                    | 1147                   | 2.2            | 33.44 | S122            | TP132MS4 | 30000                    | 9931                       |
| 43.7                    | 1155                   | 2.2            | 33.44 | S122            | TH132S4  | 30000                    | 9947                       |
| 43.4                    | 1163                   | 2.2            | 33.44 | S122            | TS132S4  | 30000                    | 9964                       |
| 41.8                    | 1207                   | 2.1            | 35.20 | S122            | TP132MS4 | 30000                    | 10056                      |
| 41.6                    | 1223                   | 1.7            | 23.29 | S122            | TH132MB6 | 30000                    | 10050                      |
| 41.6                    | 1223                   | 1.7            | 23.29 | S122            | TP132MB6 | 30000                    | 10050                      |
| 41.5                    | 1216                   | 2.1            | 35.20 | S122            | TH132S4  | 30000                    | 10073                      |
| 41.2                    | 1236                   | 1.7            | 23.29 | S122            | TS132MB6 | 30000                    | 10075                      |
| 41.2                    | 1224                   | 2.1            | 35.20 | S122            | TS132S4  | 30000                    | 10089                      |
| 37.1                    | 1373                   | 1.6            | 26.15 | S122            | TH132MB6 | 30000                    | 10330                      |
| 37.1                    | 1373                   | 1.6            | 26.15 | S122            | TP132MB6 | 30000                    | 10330                      |
| 36.7                    | 1387                   | 1.6            | 26.15 | S122            | TS132MB6 | 30000                    | 10355                      |
| 35.8                    | 1409                   | 1.8            | 41.07 | S122            | TP132MS4 | 30000                    | 10431                      |
| 35.6                    | 1418                   | 1.8            | 41.07 | S122            | TH132S4  | 30000                    | 10448                      |
| 35.3                    | 1428                   | 1.8            | 41.07 | S122            | TS132S4  | 30000                    | 10464                      |
| 33.9                    | 1502                   | 1.4            | 28.60 | S122            | TH132MB6 | 30000                    | 10545                      |
| 33.9                    | 1502                   | 1.4            | 28.60 | S122            | TP132MB6 | 30000                    | 10545                      |
| 33.7                    | 1495                   | 1.7            | 43.60 | S122            | TP132MS4 | 30000                    | 10575                      |
| 33.6                    | 1517                   | 1.4            | 28.60 | S122            | TS132MB6 | 30000                    | 10570                      |
| 33.5                    | 1506                   | 1.7            | 43.60 | S122            | TH132S4  | 30000                    | 10592                      |
| 33.3                    | 1516                   | 1.7            | 43.60 | S122            | TS132S4  | 30000                    | 10608                      |
| 31.8                    | 1602                   | 1.6            | 30.51 | S122            | TH132MB6 | 30000                    | 10699                      |
| 31.8                    | 1602                   | 1.6            | 30.51 | S122            | TP132MB6 | 30000                    | 10699                      |
| 31.5                    | 1619                   | 1.6            | 30.51 | S122            | TS132MB6 | 30000                    | 10724                      |
| 30.0                    | 1682                   | 1.2            | 49.04 | S122            | TP132MS4 | 30000                    | 10856                      |



## 5.1 S GEARED MOTORS (50Hz)

## 5.50 kW

| n <sub>2</sub><br>[rpm] | M <sub>2</sub><br>[Nm] | f <sub>s</sub> | i     | Gear<br>reducer | Motor    | Fr <sub>2</sub><br>D [N] | Fr <sub>2</sub><br>C-L [N] |
|-------------------------|------------------------|----------------|-------|-----------------|----------|--------------------------|----------------------------|
| 29.8                    | 1694                   | 1.2            | 49.04 | S122            | TH132S4  | 30000                    | 10872                      |
| 29.6                    | 1705                   | 1.2            | 49.04 | S122            | TS132S4  | 30000                    | 10888                      |
| 29.0                    | 1756                   | 1.5            | 33.44 | S122            | TH132MB6 | 30000                    | 10915                      |
| 29.0                    | 1756                   | 1.5            | 33.44 | S122            | TP132MB6 | 30000                    | 10915                      |
| 28.7                    | 1774                   | 1.4            | 33.44 | S122            | TS132MB6 | 30000                    | 10939                      |
| 27.6                    | 1848                   | 1.4            | 35.20 | S122            | TH132MB6 | 30000                    | 11033                      |
| 27.6                    | 1848                   | 1.4            | 35.20 | S122            | TP132MB6 | 30000                    | 11033                      |
| 27.3                    | 1867                   | 1.4            | 35.20 | S122            | TS132MB6 | 30000                    | 11057                      |
| 27.3                    | 1844                   | 1.2            | 53.75 | S122            | TP132MS4 | 30000                    | 11071                      |
| 27.2                    | 1856                   | 1.2            | 53.75 | S122            | TH132S4  | 30000                    | 11086                      |
| 27.0                    | 1869                   | 1.2            | 53.75 | S122            | TS132S4  | 30000                    | 11102                      |
| 23.6                    | 2156                   | 1.2            | 41.07 | S122            | TH132MB6 | 30000                    | 11200                      |
| 23.6                    | 2156                   | 1.2            | 41.07 | S122            | TP132MB6 | 30000                    | 11200                      |
| 23.4                    | 2179                   | 1.2            | 41.07 | S122            | TS132MB6 | 30000                    | 11200                      |
| 22.3                    | 2264                   | 1.1            | 66.00 | S122            | TP132MS4 | 30000                    | 11200                      |
| 22.2                    | 2289                   | 1.1            | 43.60 | S122            | TH132MB6 | 30000                    | 11200                      |
| 22.2                    | 2289                   | 1.1            | 43.60 | S122            | TP132MB6 | 30000                    | 11200                      |
| 22.1                    | 2279                   | 1.1            | 66.00 | S122            | TH132S4  | 30000                    | 11200                      |
| 22.0                    | 2295                   | 1.1            | 66.00 | S122            | TS132S4  | 30000                    | 11200                      |
| 22.0                    | 2313                   | 1.1            | 43.60 | S122            | TS132MB6 | 30000                    | 11200                      |

## 7.50 kW

| n <sub>2</sub><br>[rpm] | M <sub>2</sub><br>[Nm] | f <sub>s</sub> | i     | Gear<br>reducer | Motor    | Fr <sub>2</sub><br>D [N] | Fr <sub>2</sub><br>C-L [N] |
|-------------------------|------------------------|----------------|-------|-----------------|----------|--------------------------|----------------------------|
| 198.9                   | 346                    | 1.1            | 7.34  | S082            | TH132MA4 | 12511                    | 3575                       |
| 198.9                   | 346                    | 1.1            | 7.34  | S082            | TP132M4  | 12511                    | 3575                       |
| 197.6                   | 348                    | 1.1            | 7.34  | S082            | TS132MA4 | 12535                    | 3581                       |
| 181.1                   | 380                    | 1.1            | 8.06  | S082            | TH132MA4 | 12830                    | 3666                       |
| 181.1                   | 380                    | 1.1            | 8.06  | S082            | TP132M4  | 12830                    | 3666                       |
| 181.1                   | 380                    | 1.6            | 8.06  | S102            | TH132MA4 | 16145                    | 4613                       |
| 181.1                   | 380                    | 1.6            | 8.06  | S102            | TP132M4  | 16145                    | 4613                       |
| 179.8                   | 382                    | 1.1            | 8.06  | S082            | TS132MA4 | 12853                    | 3672                       |
| 179.8                   | 382                    | 1.6            | 8.06  | S102            | TS132MA4 | 16177                    | 4622                       |
| 170.6                   | 389                    | Ex             | 17.29 | S082            | TP132M2  | 13080                    | 3737                       |
| 169.4                   | 392                    | Ex             | 17.29 | S082            | TH132SB2 | 13103                    | 3744                       |
| 168.3                   | 394                    | Ex             | 17.29 | S082            | TS132SB2 | 13127                    | 3751                       |
| 165.0                   | 417                    | 1.6            | 8.85  | S102            | TH132MA4 | 16582                    | 4738                       |
| 165.0                   | 417                    | 1.6            | 8.85  | S102            | TP132M4  | 16582                    | 4738                       |
| 163.9                   | 420                    | 1.5            | 8.85  | S102            | TS132MA4 | 16615                    | 4747                       |
| 146.8                   | 468                    | 1.0            | 9.94  | S082            | TH132MA4 | 13547                    | 3871                       |
| 146.8                   | 468                    | 1.0            | 9.94  | S082            | TP132M4  | 13547                    | 3871                       |

## 5.1 S GEARED MOTORS (50Hz)

## 7.50 kW

| n2<br>[rpm] | M2<br>[Nm] | fs  | i     | Gear<br>reducer | Motor    | Fr2<br>D [N] | Fr2<br>C-L [N] |
|-------------|------------|-----|-------|-----------------|----------|--------------|----------------|
| 146.5       | 453        | Ex  | 20.14 | S082            | TP132M2  | 13609        | 3888           |
| 145.5       | 456        | Ex  | 20.14 | S082            | TH132SB2 | 13633        | 3895           |
| 144.5       | 459        | Ex  | 20.14 | S082            | TS132SB2 | 13657        | 3902           |
| 134.1       | 513        | 1.3 | 10.88 | S102            | TH132MA4 | 17584        | 5024           |
| 134.1       | 513        | 1.3 | 10.88 | S102            | TP132M4  | 17584        | 5024           |
| 133.3       | 498        | Ex  | 22.13 | S082            | TP132M2  | 13939        | 3982           |
| 133.2       | 516        | 1.3 | 10.88 | S102            | TS132MA4 | 17617        | 5034           |
| 132.4       | 501        | Ex  | 22.13 | S082            | TH132SB2 | 13962        | 3989           |
| 131.5       | 504        | Ex  | 22.13 | S082            | TS132SB2 | 13986        | 3996           |
| 122.9       | 540        | Ex  | 24.00 | S082            | TP132M2  | 14224        | 4064           |
| 122.1       | 544        | Ex  | 24.00 | S082            | TH132SB2 | 14248        | 4071           |
| 121.3       | 547        | Ex  | 24.00 | S082            | TS132SB2 | 14272        | 4078           |
| 120.3       | 577        | 1.1 | 8.06  | S102            | TP160M6  | 18107        | 5174           |
| 114.5       | 600        | 1.2 | 12.75 | S102            | TH132MA4 | 18369        | 5248           |
| 114.5       | 600        | 1.2 | 12.75 | S102            | TP132M4  | 18369        | 5248           |
| 114.4       | 607        | 1.8 | 8.48  | S122            | TP160M6  | 26221        | 7492           |
| 113.7       | 605        | 1.2 | 12.75 | S102            | TS132MA4 | 18404        | 5258           |
| 109.6       | 633        | 1.0 | 8.85  | S102            | TP160M6  | 18571        | 5306           |
| 104.4       | 659        | 1.3 | 13.99 | S102            | TH132MA4 | 18837        | 5382           |
| 104.4       | 659        | 1.3 | 13.99 | S102            | TP132M4  | 18837        | 5382           |
| 104.3       | 666        | 1.8 | 9.30  | S122            | TP160M6  | 26877        | 7679           |
| 103.6       | 663        | 1.3 | 13.99 | S102            | TS132MA4 | 18872        | 5392           |
| 85.0        | 817        | 1.7 | 11.42 | S122            | TP160M6  | 28363        | 8104           |
| 84.8        | 811        | 1.2 | 17.21 | S102            | TH132MA4 | 19898        | 5685           |
| 84.8        | 811        | 1.2 | 17.21 | S102            | TP132M4  | 19898        | 5685           |
| 84.2        | 816        | 1.2 | 17.21 | S102            | TS132MA4 | 19934        | 5695           |
| 76.8        | 895        | 1.1 | 19.00 | S102            | TH132MA4 | 20409        | 5831           |
| 76.8        | 895        | 1.1 | 19.00 | S102            | TP132M4  | 20409        | 5831           |
| 76.8        | 904        | 1.8 | 12.63 | S122            | TP160M6  | 29098        | 8314           |
| 76.3        | 901        | 1.1 | 19.00 | S102            | TS132MA4 | 20445        | 5841           |
| 70.1        | 991        | 1.8 | 13.84 | S122            | TP160M6  | 29769        | 8505           |
| 68.7        | 1001       | 2.0 | 21.25 | S122            | TH132MA4 | 29953        | 8558           |
| 68.7        | 1001       | 2.0 | 21.25 | S122            | TP132M4  | 29953        | 8558           |
| 68.2        | 1008       | 2.0 | 21.25 | S122            | TS132MA4 | 30000        | 8572           |
| 62.7        | 1097       | 1.9 | 23.29 | S122            | TH132MA4 | 30000        | 8750           |
| 62.7        | 1097       | 1.9 | 23.29 | S122            | TP132M4  | 30000        | 8750           |
| 62.3        | 1105       | 1.9 | 23.29 | S122            | TS132MA4 | 30000        | 8765           |
| 57.1        | 1217       | 1.5 | 16.99 | S122            | TP160M6  | 30000        | 8932           |
| 55.8        | 1232       | 1.8 | 26.15 | S122            | TH132MA4 | 30000        | 8992           |
| 55.8        | 1232       | 1.8 | 26.15 | S122            | TP132M4  | 30000        | 8992           |
| 55.4        | 1240       | 1.7 | 26.15 | S122            | TS132MA4 | 30000        | 9006           |

## 5.1 S GEARED MOTORS (50Hz)

## 7.50 kW

| n <sub>2</sub><br>[rpm] | M <sub>2</sub><br>[Nm] | f <sub>s</sub> | i     | Gear<br>reducer | Motor    | Fr <sub>2</sub><br>D [N] | Fr <sub>2</sub><br>C-L [N] |
|-------------------------|------------------------|----------------|-------|-----------------|----------|--------------------------|----------------------------|
| 51.0                    | 1347                   | 1.6            | 28.60 | S122            | TH132MA4 | 30000                    | 9176                       |
| 51.0                    | 1347                   | 1.6            | 28.60 | S122            | TP132M4  | 30000                    | 9176                       |
| 50.7                    | 1356                   | 1.6            | 28.60 | S122            | TS132MA4 | 30000                    | 9190                       |
| 47.8                    | 1437                   | 1.8            | 30.51 | S122            | TH132MA4 | 30000                    | 9308                       |
| 47.8                    | 1437                   | 1.8            | 30.51 | S122            | TP132M4  | 30000                    | 9308                       |
| 47.5                    | 1447                   | 1.8            | 30.51 | S122            | TS132MA4 | 30000                    | 9322                       |
| 45.6                    | 1521                   | 1.3            | 21.25 | S122            | TP160M6  | 30000                    | 9387                       |
| 43.7                    | 1575                   | 1.6            | 33.44 | S122            | TH132MA4 | 30000                    | 9493                       |
| 43.7                    | 1575                   | 1.6            | 33.44 | S122            | TP132M4  | 30000                    | 9493                       |
| 43.4                    | 1586                   | 1.6            | 33.44 | S122            | TS132MA4 | 30000                    | 9507                       |
| 41.6                    | 1668                   | 1.3            | 23.29 | S122            | TP160M6  | 30000                    | 9568                       |
| 41.5                    | 1658                   | 1.5            | 35.20 | S122            | TH132MA4 | 30000                    | 9594                       |
| 41.5                    | 1658                   | 1.5            | 35.20 | S122            | TP132M4  | 30000                    | 9594                       |
| 41.2                    | 1669                   | 1.5            | 35.20 | S122            | TS132MA4 | 30000                    | 9608                       |
| 37.1                    | 1872                   | 1.2            | 26.15 | S122            | TP160M6  | 30000                    | 9790                       |
| 35.6                    | 1934                   | 1.3            | 41.07 | S122            | TH132MA4 | 30000                    | 9889                       |
| 35.6                    | 1934                   | 1.3            | 41.07 | S122            | TP132M4  | 30000                    | 9889                       |
| 35.3                    | 1947                   | 1.3            | 41.07 | S122            | TS132MA4 | 30000                    | 9902                       |
| 33.9                    | 2048                   | 1.1            | 28.60 | S122            | TP160M6  | 30000                    | 9954                       |
| 33.5                    | 2053                   | 1.2            | 43.60 | S122            | TH132MA4 | 30000                    | 9999                       |
| 33.5                    | 2053                   | 1.2            | 43.60 | S122            | TP132M4  | 30000                    | 9999                       |
| 33.3                    | 2067                   | 1.2            | 43.60 | S122            | TS132MA4 | 30000                    | 10012                      |
| 31.8                    | 2185                   | 1.2            | 30.51 | S122            | TP160M6  | 30000                    | 10069                      |
| 29.0                    | 2394                   | 1.1            | 33.44 | S122            | TP160M6  | 30000                    | 10224                      |
| 27.6                    | 2520                   | 1.0            | 35.20 | S122            | TP160M6  | 30000                    | 10306                      |

## 9.20 kW

| n <sub>2</sub><br>[rpm] | M <sub>2</sub><br>[Nm] | f <sub>s</sub> | i     | Gear<br>reducer | Motor    | Fr <sub>2</sub><br>D [N] | Fr <sub>2</sub><br>C-L [N] |
|-------------------------|------------------------|----------------|-------|-----------------|----------|--------------------------|----------------------------|
| 181.1                   | 466                    | 1.3            | 8.06  | S102            | TH132MB4 | 15922                    | 4549                       |
| 179.8                   | 469                    | 1.3            | 8.06  | S102            | TS132MB4 | 15952                    | 4558                       |
| 169.4                   | 480                    | Ex             | 17.29 | S082            | TH132M2  | 12812                    | 3660                       |
| 168.3                   | 484                    | Ex             | 17.29 | S082            | TS132MA2 | 12833                    | 3667                       |
| 165.0                   | 511                    | 1.3            | 8.85  | S102            | TH132MB4 | 16337                    | 4668                       |
| 163.9                   | 515                    | 1.3            | 8.85  | S102            | TS132MB4 | 16368                    | 4677                       |
| 134.1                   | 629                    | 1.1            | 10.88 | S102            | TH132MB4 | 17282                    | 4938                       |
| 133.2                   | 633                    | 1.1            | 10.88 | S102            | TS132MB4 | 17314                    | 4947                       |
| 104.4                   | 808                    | 1.1            | 13.99 | S102            | TH132MB4 | 18450                    | 5271                       |
| 103.6                   | 814                    | 1.1            | 13.99 | S102            | TS132MB4 | 18482                    | 5281                       |
| 68.7                    | 1228                   | 1.6            | 21.25 | S122            | TH132MB4 | 29094                    | 8312                       |
| 68.2                    | 1236                   | 1.6            | 21.25 | S122            | TS132MB4 | 29138                    | 8325                       |

## 5.1 S GEARED MOTORS (50Hz)

## 9.20 kW

| n2 [rpm] | M2 [Nm] | fs  | i     | Gear reducer | Motor    | Fr2 D [N] | Fr2 C-L [N] |
|----------|---------|-----|-------|--------------|----------|-----------|-------------|
| 62.7     | 1346    | 1.6 | 23.29 | S122         | TH132MB4 | 29684     | 8481        |
| 62.3     | 1355    | 1.5 | 23.29 | S122         | TS132MB4 | 29728     | 8494        |
| 55.8     | 1511    | 1.4 | 26.15 | S122         | TH132MB4 | 30000     | 8690        |
| 55.4     | 1521    | 1.4 | 26.15 | S122         | TS132MB4 | 30000     | 8702        |
| 51.0     | 1652    | 1.3 | 28.60 | S122         | TH132MB4 | 30000     | 8846        |
| 50.7     | 1664    | 1.3 | 28.60 | S122         | TS132MB4 | 30000     | 8858        |
| 47.8     | 1763    | 1.5 | 30.51 | S122         | TH132MB4 | 30000     | 8956        |
| 47.5     | 1775    | 1.4 | 30.51 | S122         | TS132MB4 | 30000     | 8967        |
| 43.7     | 1932    | 1.3 | 33.44 | S122         | TH132MB4 | 30000     | 9106        |
| 43.4     | 1945    | 1.3 | 33.44 | S122         | TS132MB4 | 30000     | 9117        |
| 41.5     | 2034    | 1.3 | 35.20 | S122         | TH132MB4 | 30000     | 9187        |
| 41.2     | 2048    | 1.3 | 35.20 | S122         | TS132MB4 | 30000     | 9198        |
| 35.6     | 2372    | 1.1 | 41.07 | S122         | TH132MB4 | 30000     | 9415        |
| 35.3     | 2389    | 1.1 | 41.07 | S122         | TS132MB4 | 30000     | 9424        |
| 33.5     | 2519    | 1.0 | 43.60 | S122         | TH132MB4 | 30000     | 9495        |
| 33.3     | 2536    | 1.0 | 43.60 | S122         | TS132MB4 | 30000     | 9504        |

## 11.00 kW

| n2 [rpm] | M2 [Nm] | fs  | i     | Gear reducer | Motor    | Fr2 D [N] | Fr2 C-L [N] |
|----------|---------|-----|-------|--------------|----------|-----------|-------------|
| 182.9    | 551     | 1.1 | 8.06  | S102         | TP160MA4 | 15642     | 4469        |
| 178.6    | 565     | 1.1 | 8.06  | S102         | TS132MC4 | 15743     | 4498        |
| 178.6    | 565     | 1.1 | 8.06  | S102         | TS160S4  | 15743     | 4498        |
| 173.9    | 580     | 1.9 | 8.48  | S122         | TP160MA4 | 22641     | 6469        |
| 169.8    | 594     | 1.8 | 8.48  | S122         | TS160S4  | 22785     | 6510        |
| 166.7    | 605     | 1.1 | 8.85  | S102         | TP160MA4 | 16034     | 4581        |
| 162.8    | 620     | 1.0 | 8.85  | S102         | TS132MC4 | 16136     | 4610        |
| 162.8    | 620     | 1.0 | 8.85  | S102         | TS160S4  | 16136     | 4610        |
| 158.6    | 636     | 1.9 | 9.30  | S122         | TP160MA4 | 23193     | 6627        |
| 154.9    | 651     | 1.9 | 9.30  | S122         | TS160S4  | 23338     | 6668        |
| 129.2    | 781     | 1.8 | 11.42 | S122         | TP160MA4 | 24439     | 6983        |
| 126.1    | 800     | 1.7 | 11.42 | S122         | TS160S4  | 24585     | 7024        |
| 116.8    | 863     | 1.8 | 12.63 | S122         | TP160MA4 | 25052     | 7158        |
| 114.4    | 891     | 1.2 | 8.48  | S122         | TP160L6  | 25148     | 7185        |
| 114.1    | 884     | 1.8 | 12.63 | S122         | TS160S4  | 25197     | 7199        |
| 106.6    | 946     | 1.8 | 13.84 | S122         | TP160MA4 | 25608     | 7317        |
| 104.3    | 976     | 1.3 | 9.30  | S122         | TP160L6  | 25700     | 7343        |
| 104.1    | 969     | 1.8 | 13.84 | S122         | TS160S4  | 25753     | 7358        |
| 86.8     | 1162    | 1.6 | 16.99 | S122         | TP160MA4 | 26837     | 7668        |
| 85.0     | 1199    | 1.1 | 11.42 | S122         | TP160L6  | 26918     | 7691        |
| 84.7     | 1190    | 1.6 | 16.99 | S122         | TS160S4  | 26979     | 7708        |

## 5.1 S GEARED MOTORS (50Hz)

## 11.00 kW

| n2 [rpm] | M2 [Nm] | fs  | i     | Gear reducer | Motor    | Fr2 D [N] | Fr2 C-L [N] |
|----------|---------|-----|-------|--------------|----------|-----------|-------------|
| 76.8     | 1326    | 1.2 | 12.63 | S122         | TP160L6  | 27500     | 7857        |
| 70.1     | 1453    | 1.2 | 13.84 | S122         | TP160L6  | 28017     | 8005        |
| 69.4     | 1453    | 1.4 | 21.25 | S122         | TP160MA4 | 28127     | 8036        |
| 67.8     | 1488    | 1.4 | 21.25 | S122         | TS132MC4 | 28260     | 8074        |
| 67.8     | 1488    | 1.4 | 21.25 | S122         | TS160S4  | 28260     | 8074        |
| 63.3     | 1592    | 1.3 | 23.29 | S122         | TP160MA4 | 28631     | 8180        |
| 61.8     | 1631    | 1.3 | 23.29 | S122         | TS132MC4 | 28761     | 8217        |
| 61.8     | 1631    | 1.3 | 23.29 | S122         | TS160S4  | 28761     | 8217        |
| 57.1     | 1784    | 1.1 | 16.99 | S122         | TP160L6  | 29113     | 8318        |
| 56.4     | 1788    | 1.2 | 26.15 | S122         | TP160MA4 | 29242     | 8355        |
| 55.1     | 1832    | 1.2 | 26.15 | S122         | TS132MC4 | 29364     | 8390        |
| 55.1     | 1832    | 1.2 | 26.15 | S122         | TS160S4  | 29364     | 8390        |
| 51.6     | 1955    | 1.1 | 28.60 | S122         | TP160MA4 | 29687     | 8482        |
| 50.3     | 2003    | 1.1 | 28.60 | S122         | TS132MC4 | 29802     | 8515        |
| 50.3     | 2003    | 1.1 | 28.60 | S122         | TS160S4  | 29802     | 8515        |
| 48.3     | 2086    | 1.2 | 30.51 | S122         | TP160MA4 | 29992     | 8569        |
| 47.2     | 2137    | 1.2 | 30.51 | S122         | TS132MC4 | 30000     | 8600        |
| 47.2     | 2137    | 1.2 | 30.51 | S122         | TS160S4  | 30000     | 8600        |
| 44.1     | 2287    | 1.1 | 33.44 | S122         | TP160MA4 | 30000     | 8685        |
| 43.1     | 2342    | 1.1 | 33.44 | S122         | TS132MC4 | 30000     | 8714        |
| 43.1     | 2342    | 1.1 | 33.44 | S122         | TS160S4  | 30000     | 8714        |
| 41.9     | 2407    | 1.1 | 35.20 | S122         | TP160MA4 | 30000     | 8745        |
| 40.9     | 2465    | 1.0 | 35.20 | S122         | TS160S4  | 30000     | 8772        |
| 40.9     | 2465    | 1.0 | 35.20 | S122         | TS132MC4 | 30000     | 8772        |

## 15.00 kW

| n2 [rpm] | M2 [Nm] | fs  | i     | Gear reducer | Motor    | Fr2 D [N] | Fr2 C-L [N] |
|----------|---------|-----|-------|--------------|----------|-----------|-------------|
| 173.9    | 791     | 1.4 | 8.48  | S122         | TP160LA4 | 21842     | 6241        |
| 158.6    | 867     | 1.4 | 9.30  | S122         | TP160LA4 | 22318     | 6376        |
| 129.2    | 1064    | 1.3 | 11.42 | S122         | TP160LA4 | 23364     | 6675        |
| 116.8    | 1177    | 1.4 | 12.63 | S122         | TP160LA4 | 23862     | 6818        |
| 106.6    | 1290    | 1.3 | 13.84 | S122         | TP160LA4 | 24305     | 6944        |
| 86.8     | 1584    | 1.2 | 16.99 | S122         | TP160LA4 | 25237     | 7211        |
| 69.4     | 1981    | 1.0 | 21.25 | S122         | TP160LA4 | 26125     | 7464        |

## 18.50 kW

| n2 [rpm] | M2 [Nm] | fs  | i    | Gear reducer | Motor   | Fr2 D [N] | Fr2 C-L [N] |
|----------|---------|-----|------|--------------|---------|-----------|-------------|
| 173.3    | 979     | 1.1 | 8.48 | S122         | TP180M4 | 21158     | 6045        |

## 5.1 S GEARED MOTORS (50Hz)

## 18.50 kW

| n <sub>2</sub><br>[rpm] | M <sub>2</sub><br>[Nm] | f <sub>s</sub> | i     | Gear<br>reducer | Motor   | Fr <sub>2</sub><br>D [N] | Fr <sub>2</sub><br>C-L [N] |
|-------------------------|------------------------|----------------|-------|-----------------|---------|--------------------------|----------------------------|
| 158.1                   | 1073                   | 1.1            | 9.30  | S122            | TP180M4 | 21566                    | 6162                       |
| 128.8                   | 1317                   | 1.0            | 11.42 | S122            | TP180M4 | 22437                    | 6411                       |
| 116.4                   | 1457                   | 1.1            | 12.63 | S122            | TP180M4 | 22835                    | 6524                       |
| 106.2                   | 1597                   | 1.1            | 13.84 | S122            | TP180M4 | 23176                    | 6622                       |

## 5.2 S GEARED MOTORS (60Hz)

## 0.09 kW

| n <sub>2</sub><br>[rpm] | M <sub>2</sub><br>[Nm] | f <sub>s</sub> | i      | Gear<br>reducer | Motor  | Fr <sub>2</sub><br>D [N] | Fr <sub>2</sub><br>C-L [N] |
|-------------------------|------------------------|----------------|--------|-----------------|--------|--------------------------|----------------------------|
| 7.8                     | 105                    | 2.9            | 137.45 | S053            | TS63A6 | 6000                     | 6000                       |
| 6.0                     | 135                    | 2.2            | 177.55 | S053            | TS63A6 | 6000                     | 6000                       |
| 5.4                     | 151                    | 2.0            | 198.45 | S053            | TS63A6 | 6000                     | 6000                       |
| 4.9                     | 166                    | 1.8            | 217.64 | S053            | TS63A6 | 6000                     | 6000                       |
| 4.2                     | 195                    | 1.5            | 256.33 | S053            | TS63A6 | 6000                     | 6000                       |
| 3.4                     | 240                    | 1.2            | 314.21 | S053            | TS63A6 | 6000                     | 6000                       |

## 0.12 kW

| n <sub>2</sub><br>[rpm] | M <sub>2</sub><br>[Nm] | f <sub>s</sub> | i      | Gear<br>reducer | Motor  | Fr <sub>2</sub><br>D [N] | Fr <sub>2</sub><br>C-L [N] |
|-------------------------|------------------------|----------------|--------|-----------------|--------|--------------------------|----------------------------|
| 12.1                    | 89                     | 3.4            | 137.45 | S053            | TS63A4 | 6000                     | 6000                       |
| 11.3                    | 97                     | 3.1            | 95.84  | S053            | TS63B6 | 6000                     | 6000                       |
| 9.4                     | 115                    | 2.6            | 177.55 | S053            | TS63A4 | 6000                     | 6000                       |
| 9.2                     | 118                    | 2.5            | 117.48 | S053            | TS63B6 | 6000                     | 6000                       |
| 8.4                     | 128                    | 2.4            | 198.45 | S053            | TS63A4 | 6000                     | 6000                       |
| 7.9                     | 138                    | 2.2            | 137.45 | S053            | TS63B6 | 6000                     | 6000                       |
| 7.7                     | 140                    | 2.1            | 217.64 | S053            | TS63A4 | 6000                     | 6000                       |
| 6.5                     | 165                    | 1.8            | 256.33 | S053            | TS63A4 | 6000                     | 6000                       |
| 6.1                     | 179                    | 1.7            | 177.55 | S053            | TS63B6 | 6000                     | 6000                       |
| 5.4                     | 200                    | 1.5            | 198.45 | S053            | TS63B6 | 6000                     | 6000                       |
| 5.3                     | 203                    | 1.4            | 314.21 | S053            | TS63A4 | 6000                     | 6000                       |
| 5.0                     | 219                    | 1.4            | 217.64 | S053            | TS63B6 | 6000                     | 6000                       |
| 4.2                     | 258                    | 1.1            | 256.33 | S053            | TS63B6 | 6000                     | 6000                       |

## 0.15 kW

| n <sub>2</sub><br>[rpm] | M <sub>2</sub><br>[Nm] | f <sub>s</sub> | i      | Gear<br>reducer | Motor  | Fr <sub>2</sub><br>D [N] | Fr <sub>2</sub><br>C-L [N] |
|-------------------------|------------------------|----------------|--------|-----------------|--------|--------------------------|----------------------------|
| 14.4                    | 94                     | 3.2            | 74.20  | S053            | TS63C6 | 6000                     | 6000                       |
| 11.2                    | 122                    | 2.4            | 95.84  | S053            | TS63C6 | 6000                     | 6000                       |
| 9.1                     | 149                    | 2.0            | 117.48 | S053            | TS63C6 | 6000                     | 6000                       |
| 7.8                     | 175                    | 1.7            | 137.45 | S053            | TS63C6 | 6000                     | 6000                       |
| 6.0                     | 226                    | 1.3            | 177.55 | S053            | TS63C6 | 6000                     | 6000                       |
| 5.4                     | 252                    | 1.2            | 198.45 | S053            | TS63C6 | 6000                     | 6000                       |
| 4.9                     | 277                    | 1.1            | 217.64 | S053            | TS63C6 | 6000                     | 6000                       |

## 0.18 kW

| n <sub>2</sub><br>[rpm] | M <sub>2</sub><br>[Nm] | f <sub>s</sub> | i     | Gear<br>reducer | Motor  | Fr <sub>2</sub><br>D [N] | Fr <sub>2</sub><br>C-L [N] |
|-------------------------|------------------------|----------------|-------|-----------------|--------|--------------------------|----------------------------|
| 17.4                    | 93                     | 3.2            | 95.84 | S053            | TS63B4 | 6000                     | 6000                       |
| 15.5                    | 107                    | 2.8            | 72.83 | S052            | TS71A6 | 6000                     | 6000                       |

## 5.2 S GEARED MOTORS (60Hz)

## 0.18 kW

| n2 [rpm] | M2 [Nm] | fs  | i      | Gear reducer | Motor  | Fr2 D [N] | Fr2 C-L [N] |
|----------|---------|-----|--------|--------------|--------|-----------|-------------|
| 15.2     | 107     | 2.8 | 74.20  | S053         | TS71A6 | 6000      | 6000        |
| 14.2     | 114     | 2.6 | 117.48 | S053         | TS63B4 | 6000      | 6000        |
| 12.1     | 133     | 2.3 | 137.45 | S053         | TS63B4 | 6000      | 6000        |
| 11.8     | 138     | 2.2 | 95.84  | S053         | TS71A6 | 6000      | 6000        |
| 9.6      | 170     | 1.7 | 117.48 | S053         | TS71A6 | 6000      | 6000        |
| 9.4      | 172     | 1.7 | 177.55 | S053         | TS63B4 | 6000      | 6000        |
| 8.9      | 183     | 2.8 | 126.43 | S063         | TS71A6 | 10000     | 4000        |
| 8.4      | 192     | 1.6 | 198.45 | S053         | TS63B4 | 6000      | 6000        |
| 8.2      | 199     | 1.5 | 137.45 | S053         | TS71A6 | 6000      | 6000        |
| 7.7      | 211     | 1.4 | 217.64 | S053         | TS63B4 | 6000      | 6000        |
| 7.5      | 218     | 2.3 | 150.85 | S063         | TS71A6 | 10000     | 4000        |
| 6.5      | 248     | 1.2 | 256.33 | S053         | TS63B4 | 6000      | 6000        |
| 6.4      | 256     | 1.2 | 177.55 | S053         | TS71A6 | 6000      | 6000        |
| 6.1      | 267     | 1.9 | 185.05 | S063         | TS71A6 | 10000     | 4000        |
| 6.1      | 267     | 3.2 | 184.88 | S083         | TS71A6 | 18000     | 7200        |
| 5.7      | 287     | 1.1 | 198.45 | S053         | TS71A6 | 6000      | 6000        |
| 5.6      | 293     | 2.9 | 203.11 | S083         | TS71A6 | 18000     | 7200        |
| 5.2      | 315     | 1.6 | 217.79 | S063         | TS71A6 | 10000     | 4000        |
| 4.5      | 362     | 2.3 | 250.50 | S083         | TS71A6 | 18000     | 7200        |
| 4.2      | 386     | 1.3 | 267.16 | S063         | TS71A6 | 10000     | 4000        |
| 3.9      | 422     | 2.0 | 292.36 | S083         | TS71A6 | 18000     | 7200        |
| 3.6      | 456     | 1.9 | 315.73 | S083         | TS71A6 | 18000     | 7200        |
| 3.5      | 463     | 3.0 | 320.79 | S103         | TS71A6 | 22000     | 9000        |
| 3.3      | 499     | 2.7 | 345.60 | S103         | TS71A6 | 22000     | 9000        |
| 3.1      | 521     | 1.6 | 360.58 | S083         | TS71A6 | 18000     | 7200        |
| 2.9      | 570     | 2.4 | 394.69 | S103         | TS71A6 | 22000     | 9000        |

## 0.22 kW

| n2 [rpm] | M2 [Nm] | fs  | i      | Gear reducer | Motor  | Fr2 D [N] | Fr2 C-L [N] |
|----------|---------|-----|--------|--------------|--------|-----------|-------------|
| 22.5     | 88      | 3.4 | 74.20  | S053         | TS63C4 | 6000      | 6000        |
| 17.4     | 113     | 2.6 | 95.84  | S053         | TS63C4 | 6000      | 6000        |
| 14.2     | 139     | 2.1 | 117.48 | S053         | TS63C4 | 6000      | 6000        |
| 12.1     | 163     | 1.8 | 137.45 | S053         | TS63C4 | 6000      | 6000        |
| 9.4      | 210     | 1.4 | 177.55 | S053         | TS63C4 | 6000      | 6000        |
| 8.4      | 235     | 1.3 | 198.45 | S053         | TS63C4 | 6000      | 6000        |
| 7.7      | 257     | 1.2 | 217.64 | S053         | TS63C4 | 6000      | 6000        |



## 5.2 S GEARED MOTORS (60Hz)

## 0.25 kW

| n2<br>[rpm] | M2<br>[Nm] | fs  | i      | Gear<br>reducer | Motor  | Fr2<br>D [N] | Fr2<br>C-L [N] |
|-------------|------------|-----|--------|-----------------|--------|--------------|----------------|
| 23.9        | 97         | 3.1 | 47.20  | S052            | TS71B6 | 6000         | 6000           |
| 23.6        | 97         | 3.1 | 72.83  | S052            | TS71A4 | 6000         | 6000           |
| 23.2        | 97         | 3.1 | 74.20  | S053            | TS71A4 | 6000         | 6000           |
| 22.4        | 100        | 3.0 | 74.20  | S053            | TS63D4 | 6000         | 6000           |
| 21.6        | 107        | 2.8 | 52.25  | S052            | TS71B6 | 6000         | 6000           |
| 19.5        | 119        | 2.5 | 57.86  | S052            | TS71B6 | 6000         | 6000           |
| 17.9        | 125        | 2.4 | 95.84  | S053            | TS71A4 | 6000         | 6000           |
| 17.3        | 130        | 2.3 | 95.84  | S053            | TS63D4 | 6000         | 6000           |
| 15.5        | 149        | 2.0 | 72.83  | S052            | TS71B6 | 6000         | 6000           |
| 15.2        | 149        | 2.0 | 74.20  | S053            | TS71B6 | 6000         | 6000           |
| 14.6        | 153        | 1.9 | 117.48 | S053            | TS71A4 | 6000         | 6000           |
| 14.1        | 159        | 1.9 | 117.48 | S053            | TS63D4 | 6000         | 6000           |
| 13.9        | 163        | 3.1 | 81.43  | S063            | TS71B6 | 10000        | 4000           |
| 13.6        | 165        | 3.1 | 126.43 | S063            | TS71A4 | 10000        | 4000           |
| 12.5        | 179        | 1.7 | 137.45 | S053            | TS71A4 | 6000         | 6000           |
| 12.1        | 186        | 1.6 | 137.45 | S053            | TS63D4 | 6000         | 6000           |
| 11.8        | 192        | 1.6 | 95.84  | S053            | TS71B6 | 6000         | 6000           |
| 11.4        | 197        | 2.6 | 150.85 | S063            | TS71A4 | 10000        | 4000           |
| 11.3        | 200        | 2.5 | 99.89  | S063            | TS71B6 | 10000        | 4000           |
| 9.7         | 232        | 1.3 | 177.55 | S053            | TS71A4 | 6000         | 6000           |
| 9.6         | 236        | 1.3 | 117.48 | S053            | TS71B6 | 6000         | 6000           |
| 9.3         | 240        | 1.2 | 177.55 | S053            | TS63D4 | 6000         | 6000           |
| 9.3         | 241        | 2.1 | 185.05 | S063            | TS71A4 | 10000        | 4000           |
| 9.3         | 241        | 3.5 | 184.88 | S083            | TS71A4 | 18000        | 7200           |
| 8.9         | 254        | 2.0 | 126.43 | S063            | TS71B6 | 10000        | 4000           |
| 8.8         | 258        | 3.3 | 128.73 | S083            | TS71B6 | 18000        | 7200           |
| 8.7         | 259        | 1.2 | 198.45 | S053            | TS71A4 | 6000         | 6000           |
| 8.5         | 265        | 3.2 | 203.11 | S083            | TS71A4 | 18000        | 7200           |
| 8.4         | 268        | 1.1 | 198.45 | S053            | TS63D4 | 6000         | 6000           |
| 8.2         | 276        | 1.1 | 137.45 | S053            | TS71B6 | 6000         | 6000           |
| 7.9         | 284        | 1.0 | 217.64 | S053            | TS71A4 | 6000         | 6000           |
| 7.9         | 284        | 1.8 | 217.79 | S063            | TS71A4 | 10000        | 4000           |
| 7.6         | 294        | 1.0 | 217.64 | S053            | TS63D4 | 6000         | 6000           |
| 7.5         | 303        | 1.7 | 150.85 | S063            | TS71B6 | 10000        | 4000           |
| 7.1         | 318        | 2.7 | 158.76 | S083            | TS71B6 | 18000        | 7200           |
| 6.9         | 327        | 2.6 | 250.50 | S083            | TS71A4 | 18000        | 7200           |
| 6.4         | 349        | 1.5 | 267.16 | S063            | TS71A4 | 10000        | 4000           |
| 6.1         | 371        | 1.4 | 185.05 | S063            | TS71B6 | 10000        | 4000           |
| 6.1         | 371        | 2.3 | 184.88 | S083            | TS71B6 | 18000        | 7200           |
| 5.9         | 381        | 2.2 | 292.36 | S083            | TS71A4 | 18000        | 7200           |
| 5.6         | 407        | 2.1 | 203.11 | S083            | TS71B6 | 18000        | 7200           |

## 5.2 S GEARED MOTORS (60Hz)

## 0.25 kW

| n2 [rpm] | M2 [Nm] | fs  | i      | Gear reducer | Motor  | Fr2 D [N] | Fr2 C-L [N] |
|----------|---------|-----|--------|--------------|--------|-----------|-------------|
| 5.4      | 412     | 2.1 | 315.73 | S083         | TS71A4 | 18000     | 7200        |
| 5.4      | 419     | 3.3 | 320.79 | S103         | TS71A4 | 22000     | 9000        |
| 5.2      | 437     | 1.2 | 217.79 | S063         | TS71B6 | 10000     | 4000        |
| 5.1      | 447     | 3.1 | 222.85 | S103         | TS71B6 | 22000     | 9000        |
| 5.0      | 451     | 3.0 | 345.60 | S103         | TS71A4 | 22000     | 9000        |
| 4.8      | 470     | 1.8 | 360.58 | S083         | TS71A4 | 18000     | 7200        |
| 4.5      | 502     | 1.7 | 250.50 | S083         | TS71B6 | 18000     | 7200        |
| 4.4      | 515     | 2.6 | 394.69 | S103         | TS71A4 | 22000     | 9000        |
| 4.1      | 550     | 2.5 | 274.20 | S103         | TS71B6 | 22000     | 9000        |
| 3.9      | 586     | 1.4 | 292.36 | S083         | TS71B6 | 18000     | 7200        |
| 3.6      | 633     | 1.3 | 315.73 | S083         | TS71B6 | 18000     | 7200        |
| 3.5      | 643     | 2.1 | 320.79 | S103         | TS71B6 | 22000     | 9000        |
| 3.3      | 693     | 2.0 | 345.60 | S103         | TS71B6 | 22000     | 9000        |
| 3.1      | 723     | 1.2 | 360.58 | S083         | TS71B6 | 18000     | 7200        |
| 2.9      | 792     | 1.7 | 394.69 | S103         | TS71B6 | 22000     | 9000        |

## 0.37 kW

| n2 [rpm] | M2 [Nm] | fs  | i     | Gear reducer | Motor  | Fr2 D [N] | Fr2 C-L [N] |
|----------|---------|-----|-------|--------------|--------|-----------|-------------|
| 47.8     | 72      | 2.6 | 24.07 | S052         | TS80A6 | 6000      | 6000        |
| 45.7     | 75      | 2.5 | 24.07 | S052         | TS71C6 | 6000      | 6000        |
| 44.6     | 77      | 2.7 | 25.79 | S052         | TS80A6 | 6000      | 6000        |
| 42.7     | 80      | 2.6 | 25.79 | S052         | TS71C6 | 6000      | 6000        |
| 41.4     | 83      | 2.5 | 27.81 | S052         | TS80A6 | 6000      | 6000        |
| 40.1     | 85      | 3.5 | 42.63 | S052         | TS71B4 | 6000      | 6000        |
| 39.6     | 87      | 2.4 | 27.81 | S052         | TS71C6 | 6000      | 6000        |
| 38.3     | 89      | 2.3 | 30.00 | S052         | TS80A6 | 6000      | 6000        |
| 36.7     | 93      | 2.2 | 30.00 | S052         | TS71C6 | 6000      | 6000        |
| 36.2     | 94      | 3.2 | 47.20 | S052         | TS71B4 | 6000      | 6000        |
| 35.3     | 97      | 2.6 | 32.55 | S052         | TS80A6 | 6000      | 6000        |
| 33.8     | 101     | 2.5 | 32.55 | S052         | TS71C6 | 6000      | 6000        |
| 32.7     | 104     | 2.9 | 52.25 | S052         | TS71B4 | 6000      | 6000        |
| 31.5     | 109     | 2.6 | 36.55 | S052         | TS80A6 | 6000      | 6000        |
| 30.1     | 114     | 2.5 | 36.55 | S052         | TS71C6 | 6000      | 6000        |
| 29.6     | 115     | 2.6 | 57.86 | S052         | TS71B4 | 6000      | 6000        |
| 28.8     | 119     | 2.5 | 39.90 | S052         | TS80A6 | 6000      | 6000        |
| 27.6     | 124     | 2.4 | 39.90 | S052         | TS71C6 | 6000      | 6000        |
| 27.0     | 127     | 2.3 | 42.63 | S052         | TS80A6 | 6000      | 6000        |
| 25.8     | 133     | 2.2 | 42.63 | S052         | TS71C6 | 6000      | 6000        |
| 24.4     | 141     | 2.1 | 47.20 | S052         | TS80A6 | 6000      | 6000        |
| 23.5     | 144     | 2.1 | 72.83 | S052         | TS71B4 | 6000      | 6000        |

## 5.2 S GEARED MOTORS (60Hz)

## 0.37 kW

| n <sub>2</sub><br>[rpm] | M <sub>2</sub><br>[Nm] | f <sub>s</sub> | i      | Gear<br>reducer | Motor  | Fr <sub>2</sub><br>D [N] | Fr <sub>2</sub><br>C-L [N] |
|-------------------------|------------------------|----------------|--------|-----------------|--------|--------------------------|----------------------------|
| 23.3                    | 147                    | 2.0            | 47.20  | S052            | TS71C6 | 6000                     | 6000                       |
| 23.0                    | 144                    | 2.1            | 74.20  | S053            | TS71B4 | 6000                     | 6000                       |
| 22.0                    | 156                    | 1.9            | 52.25  | S052            | TS80A6 | 6000                     | 6000                       |
| 21.5                    | 159                    | 3.2            | 53.53  | S062            | TS80A6 | 10000                    | 4000                       |
| 21.1                    | 163                    | 1.8            | 52.25  | S052            | TS71C6 | 6000                     | 6000                       |
| 21.0                    | 158                    | 3.2            | 81.43  | S063            | TS71B4 | 10000                    | 4000                       |
| 20.9                    | 164                    | 3.1            | 55.00  | S062            | TS80A6 | 10000                    | 4000                       |
| 20.6                    | 167                    | 3.1            | 53.53  | S062            | TS71C6 | 10000                    | 4000                       |
| 20.0                    | 171                    | 3.0            | 55.00  | S062            | TS71C6 | 10000                    | 4000                       |
| 19.9                    | 172                    | 1.7            | 57.86  | S052            | TS80A6 | 6000                     | 6000                       |
| 19.0                    | 180                    | 1.7            | 57.86  | S052            | TS71C6 | 6000                     | 6000                       |
| 17.8                    | 186                    | 1.6            | 95.84  | S053            | TS71B4 | 6000                     | 6000                       |
| 17.1                    | 194                    | 2.6            | 99.89  | S063            | TS71B4 | 10000                    | 4000                       |
| 17.0                    | 201                    | 2.5            | 67.47  | S062            | TS80A6 | 10000                    | 4000                       |
| 16.3                    | 210                    | 2.4            | 67.47  | S062            | TS71C6 | 10000                    | 4000                       |
| 15.8                    | 217                    | 1.4            | 72.83  | S052            | TS80A6 | 6000                     | 6000                       |
| 15.5                    | 216                    | 1.4            | 74.20  | S053            | TS80A6 | 6000                     | 6000                       |
| 15.1                    | 227                    | 1.3            | 72.83  | S052            | TS71C6 | 6000                     | 6000                       |
| 14.8                    | 226                    | 1.3            | 74.20  | S053            | TS71C6 | 6000                     | 6000                       |
| 14.6                    | 228                    | 1.3            | 117.48 | S053            | TS71B4 | 6000                     | 6000                       |
| 14.1                    | 238                    | 2.1            | 81.43  | S063            | TS80A6 | 10000                    | 4000                       |
| 13.5                    | 246                    | 2.1            | 126.43 | S063            | TS71B4 | 10000                    | 4000                       |
| 13.5                    | 248                    | 2.1            | 81.43  | S063            | TS71C6 | 10000                    | 4000                       |
| 13.3                    | 250                    | 3.4            | 128.73 | S083            | TS71B4 | 18000                    | 7200                       |
| 12.6                    | 267                    | 3.2            | 91.49  | S083            | TS80A6 | 18000                    | 7200                       |
| 12.4                    | 267                    | 1.1            | 137.45 | S053            | TS71B4 | 6000                     | 6000                       |
| 12.0                    | 280                    | 1.1            | 95.84  | S053            | TS80A6 | 6000                     | 6000                       |
| 11.5                    | 292                    | 1.0            | 95.84  | S053            | TS71C6 | 6000                     | 6000                       |
| 11.5                    | 291                    | 1.8            | 99.89  | S063            | TS80A6 | 10000                    | 4000                       |
| 11.3                    | 293                    | 1.7            | 150.85 | S063            | TS71B4 | 10000                    | 4000                       |
| 11.0                    | 305                    | 1.7            | 99.89  | S063            | TS71C6 | 10000                    | 4000                       |
| 10.8                    | 308                    | 2.8            | 158.76 | S083            | TS71B4 | 18000                    | 7200                       |
| 9.8                     | 342                    | 2.5            | 117.17 | S083            | TS80A6 | 18000                    | 7200                       |
| 9.4                     | 357                    | 2.4            | 117.17 | S083            | TS71C6 | 18000                    | 7200                       |
| 9.2                     | 359                    | 1.4            | 185.05 | S063            | TS71B4 | 10000                    | 4000                       |
| 9.2                     | 359                    | 2.4            | 184.88 | S083            | TS71B4 | 18000                    | 7200                       |
| 9.1                     | 369                    | 1.4            | 126.43 | S063            | TS80A6 | 10000                    | 4000                       |
| 8.9                     | 376                    | 2.3            | 128.73 | S083            | TS80A6 | 18000                    | 7200                       |
| 8.7                     | 386                    | 1.3            | 126.43 | S063            | TS71C6 | 10000                    | 4000                       |
| 8.5                     | 393                    | 2.2            | 128.73 | S083            | TS71C6 | 18000                    | 7200                       |
| 8.4                     | 395                    | 2.2            | 203.11 | S083            | TS71B4 | 18000                    | 7200                       |

## 5.2 S GEARED MOTORS (60Hz)

## 0.37 kW

| n2<br>[rpm] | M2<br>[Nm] | fs  | i      | Gear<br>reducer | Motor  | Fr2<br>D [N] | Fr2<br>C-L [N] |
|-------------|------------|-----|--------|-----------------|--------|--------------|----------------|
| 8.4         | 395        | 3.5 | 203.11 | S103            | TS71B4 | 22000        | 9000           |
| 8.1         | 412        | 3.3 | 141.24 | S103            | TS80A6 | 22000        | 9000           |
| 7.9         | 423        | 1.2 | 217.79 | S063            | TS71B4 | 10000        | 4000           |
| 7.8         | 431        | 3.2 | 141.24 | S103            | TS71C6 | 22000        | 9000           |
| 7.7         | 433        | 3.2 | 222.85 | S103            | TS71B4 | 22000        | 9000           |
| 7.6         | 440        | 1.2 | 150.85 | S063            | TS80A6 | 10000        | 4000           |
| 7.3         | 460        | 1.1 | 150.85 | S063            | TS71C6 | 10000        | 4000           |
| 7.2         | 463        | 1.8 | 158.76 | S083            | TS80A6 | 18000        | 7200           |
| 6.9         | 484        | 1.8 | 158.76 | S083            | TS71C6 | 18000        | 7200           |
| 6.8         | 487        | 1.7 | 250.50 | S083            | TS71B4 | 18000        | 7200           |
| 6.6         | 507        | 2.7 | 173.78 | S103            | TS80A6 | 22000        | 9000           |
| 6.3         | 530        | 2.6 | 173.78 | S103            | TS71C6 | 22000        | 9000           |
| 6.2         | 539        | 1.6 | 184.88 | S083            | TS80A6 | 18000        | 7200           |
| 6.2         | 533        | 2.6 | 274.20 | S103            | TS71B4 | 22000        | 9000           |
| 5.9         | 564        | 1.5 | 184.88 | S083            | TS71C6 | 18000        | 7200           |
| 5.8         | 568        | 1.5 | 292.36 | S083            | TS71B4 | 18000        | 7200           |
| 5.7         | 592        | 1.4 | 203.11 | S083            | TS80A6 | 18000        | 7200           |
| 5.7         | 592        | 2.3 | 203.11 | S103            | TS80A6 | 22000        | 9000           |
| 5.4         | 619        | 1.4 | 203.11 | S083            | TS71C6 | 18000        | 7200           |
| 5.4         | 613        | 1.4 | 315.73 | S083            | TS71B4 | 18000        | 7200           |
| 5.4         | 619        | 2.2 | 203.11 | S103            | TS71C6 | 22000        | 9000           |
| 5.3         | 623        | 2.2 | 320.79 | S103            | TS71B4 | 22000        | 9000           |
| 5.2         | 650        | 2.1 | 222.85 | S103            | TS80A6 | 22000        | 9000           |
| 4.9         | 680        | 2.0 | 222.85 | S103            | TS71C6 | 22000        | 9000           |
| 4.9         | 671        | 2.0 | 345.60 | S103            | TS71B4 | 22000        | 9000           |
| 4.7         | 700        | 1.2 | 360.58 | S083            | TS71B4 | 18000        | 7200           |
| 4.6         | 731        | 1.2 | 250.50 | S083            | TS80A6 | 18000        | 7200           |
| 4.4         | 764        | 1.1 | 250.50 | S083            | TS71C6 | 18000        | 7200           |
| 4.3         | 767        | 1.8 | 394.69 | S103            | TS71B4 | 22000        | 9000           |
| 4.2         | 800        | 1.7 | 274.20 | S103            | TS80A6 | 22000        | 9000           |
| 4.1         | 817        | 3.1 | 280.10 | S123            | TS80A6 | 30000        | 11200          |
| 4.0         | 836        | 1.6 | 274.20 | S103            | TS71C6 | 22000        | 9000           |
| 3.8         | 879        | 2.9 | 301.16 | S123            | TS80A6 | 30000        | 11200          |
| 3.6         | 936        | 1.5 | 320.79 | S103            | TS80A6 | 22000        | 9000           |
| 3.4         | 978        | 1.4 | 320.79 | S103            | TS71C6 | 22000        | 9000           |
| 3.3         | 1008       | 1.3 | 345.60 | S103            | TS80A6 | 22000        | 9000           |
| 3.3         | 1003       | 2.6 | 343.93 | S123            | TS80A6 | 30000        | 11200          |
| 3.2         | 1054       | 1.3 | 345.60 | S103            | TS71C6 | 22000        | 9000           |
| 2.9         | 1151       | 1.2 | 394.69 | S103            | TS80A6 | 22000        | 9000           |
| 2.8         | 1204       | 1.1 | 394.69 | S103            | TS71C6 | 22000        | 9000           |

## 5.2 S GEARED MOTORS (60Hz)

## 0.55 kW

| n2<br>[rpm] | M2<br>[Nm] | fs  | i     | Gear<br>reducer | Motor  | Fr2<br>D [N] | Fr2<br>C-L [N] |
|-------------|------------|-----|-------|-----------------|--------|--------------|----------------|
| 103.2       | 49         | 2.8 | 11.14 | S052            | TS80B6 | 4779         | 4779           |
| 84.2        | 60         | 2.5 | 13.66 | S052            | TS80B6 | 5067         | 5067           |
| 82.2        | 61         | 3.1 | 21.04 | S052            | TS80A4 | 5104         | 5104           |
| 80.8        | 62         | 3.0 | 21.04 | S052            | TS71C4 | 5129         | 5129           |
| 75.3        | 68         | 2.6 | 15.27 | S052            | TS80B6 | 5229         | 5229           |
| 71.9        | 70         | 2.7 | 24.07 | S052            | TS80A4 | 5301         | 5301           |
| 70.6        | 71         | 2.6 | 24.07 | S052            | TS71C4 | 5327         | 5327           |
| 70.6        | 72         | 2.4 | 16.29 | S052            | TS80B6 | 5323         | 5323           |
| 67.1        | 75         | 2.8 | 25.79 | S052            | TS80A4 | 5403         | 5403           |
| 65.9        | 76         | 2.7 | 25.79 | S052            | TS71C4 | 5429         | 5429           |
| 62.2        | 81         | 2.6 | 27.81 | S052            | TS80A4 | 5516         | 5516           |
| 61.7        | 83         | 2.1 | 18.63 | S052            | TS80B6 | 5523         | 5523           |
| 61.1        | 82         | 2.5 | 27.81 | S052            | TS71C4 | 5543         | 5543           |
| 57.7        | 87         | 2.4 | 30.00 | S052            | TS80A4 | 5631         | 5631           |
| 56.7        | 89         | 2.3 | 30.00 | S052            | TS71C4 | 5658         | 5658           |
| 54.7        | 93         | 2.0 | 21.04 | S052            | TS80B6 | 5707         | 5707           |
| 53.1        | 95         | 2.7 | 32.55 | S052            | TS80A4 | 5755         | 5755           |
| 52.2        | 97         | 2.7 | 32.55 | S052            | TS71C4 | 5782         | 5782           |
| 47.8        | 107        | 1.8 | 24.07 | S052            | TS80B6 | 5913         | 5913           |
| 47.3        | 107        | 2.6 | 36.55 | S052            | TS80A4 | 5933         | 5933           |
| 46.5        | 108        | 2.6 | 36.55 | S052            | TS71C4 | 5960         | 5960           |
| 44.6        | 114        | 1.8 | 25.79 | S052            | TS80B6 | 6000         | 6000           |
| 43.4        | 116        | 2.6 | 39.90 | S052            | TS80A4 | 6000         | 6000           |
| 42.6        | 118        | 2.5 | 39.90 | S052            | TS71C4 | 6000         | 6000           |
| 41.4        | 123        | 1.7 | 27.81 | S052            | TS80B6 | 6000         | 6000           |
| 40.6        | 124        | 2.4 | 42.63 | S052            | TS80A4 | 6000         | 6000           |
| 39.9        | 126        | 2.4 | 42.63 | S052            | TS71C4 | 6000         | 6000           |
| 38.3        | 133        | 1.6 | 30.00 | S052            | TS80B6 | 6000         | 6000           |
| 38.3        | 133        | 2.7 | 30.00 | S062            | TS80B6 | 10000        | 4000           |
| 36.6        | 138        | 2.2 | 47.20 | S052            | TS80A4 | 6000         | 6000           |
| 36.0        | 140        | 2.1 | 47.20 | S052            | TS71C4 | 6000         | 6000           |
| 35.3        | 144        | 1.8 | 32.55 | S052            | TS80B6 | 6000         | 6000           |
| 33.1        | 152        | 2.0 | 52.25 | S052            | TS80A4 | 6000         | 6000           |
| 32.5        | 155        | 1.9 | 52.25 | S052            | TS71C4 | 6000         | 6000           |
| 32.3        | 156        | 3.3 | 53.53 | S062            | TS80A4 | 10000        | 4000           |
| 31.8        | 159        | 3.2 | 53.53 | S062            | TS71C4 | 10000        | 4000           |
| 31.5        | 162        | 1.7 | 36.55 | S052            | TS80B6 | 6000         | 6000           |
| 31.5        | 160        | 3.2 | 55.00 | S062            | TS80A4 | 10000        | 4000           |
| 31.4        | 162        | 3.1 | 36.57 | S062            | TS80B6 | 10000        | 4000           |
| 30.9        | 163        | 3.1 | 55.00 | S062            | TS71C4 | 10000        | 4000           |
| 29.9        | 169        | 1.8 | 57.86 | S052            | TS80A4 | 6000         | 6000           |

## 5.2 S GEARED MOTORS (60Hz)

## 0.55 kW

| n2<br>[rpm] | M2<br>[Nm] | fs  | i      | Gear<br>reducer | Motor  | Fr2<br>D [N] | Fr2<br>C-L [N] |
|-------------|------------|-----|--------|-----------------|--------|--------------|----------------|
| 29.4        | 172        | 1.7 | 57.86  | S052            | TS71C4 | 6000         | 6000           |
| 29.2        | 174        | 2.9 | 39.38  | S062            | TS80B6 | 10000        | 4000           |
| 28.8        | 177        | 1.7 | 39.90  | S052            | TS80B6 | 6000         | 6000           |
| 27.0        | 189        | 1.6 | 42.63  | S052            | TS80B6 | 6000         | 6000           |
| 26.4        | 193        | 2.6 | 43.64  | S062            | TS80B6 | 10000        | 4000           |
| 25.6        | 197        | 2.6 | 67.47  | S062            | TS80A4 | 10000        | 4000           |
| 25.2        | 200        | 2.5 | 67.47  | S062            | TS71C4 | 10000        | 4000           |
| 24.9        | 204        | 2.5 | 46.10  | S062            | TS80B6 | 10000        | 4000           |
| 24.4        | 209        | 1.4 | 47.20  | S052            | TS80B6 | 6000         | 6000           |
| 23.8        | 212        | 1.4 | 72.83  | S052            | TS80A4 | 6000         | 6000           |
| 23.3        | 216        | 1.4 | 72.83  | S052            | TS71C4 | 6000         | 6000           |
| 23.3        | 212        | 1.4 | 74.20  | S053            | TS80A4 | 6000         | 6000           |
| 22.9        | 216        | 1.4 | 74.20  | S053            | TS71C4 | 6000         | 6000           |
| 22.0        | 231        | 1.3 | 52.25  | S052            | TS80B6 | 6000         | 6000           |
| 21.5        | 237        | 2.2 | 53.53  | S062            | TS80B6 | 10000        | 4000           |
| 21.2        | 232        | 2.2 | 81.43  | S063            | TS80A4 | 10000        | 4000           |
| 20.9        | 244        | 2.1 | 55.00  | S062            | TS80B6 | 10000        | 4000           |
| 20.9        | 237        | 2.2 | 81.43  | S063            | TS71C4 | 10000        | 4000           |
| 19.9        | 256        | 1.2 | 57.86  | S052            | TS80B6 | 6000         | 6000           |
| 18.9        | 261        | 3.3 | 91.49  | S083            | TS80A4 | 18000        | 7200           |
| 18.6        | 274        | 3.1 | 61.98  | S082            | TS80B6 | 18000        | 7200           |
| 18.1        | 274        | 1.1 | 95.84  | S053            | TS80A4 | 6000         | 6000           |
| 17.7        | 278        | 1.1 | 95.84  | S053            | TS71C4 | 6000         | 6000           |
| 17.3        | 285        | 1.8 | 99.89  | S063            | TS80A4 | 10000        | 4000           |
| 17.0        | 299        | 1.7 | 67.47  | S062            | TS80B6 | 10000        | 4000           |
| 17.0        | 290        | 1.8 | 99.89  | S063            | TS71C4 | 10000        | 4000           |
| 17.0        | 293        | 2.9 | 67.52  | S083            | TS80B6 | 18000        | 7200           |
| 15.5        | 322        | 2.6 | 74.18  | S083            | TS80B6 | 18000        | 7200           |
| 14.8        | 334        | 2.5 | 117.17 | S083            | TS80A4 | 18000        | 7200           |
| 14.5        | 340        | 2.5 | 117.17 | S083            | TS71C4 | 18000        | 7200           |
| 14.1        | 353        | 1.4 | 81.43  | S063            | TS80B6 | 10000        | 4000           |
| 13.7        | 361        | 1.4 | 126.43 | S063            | TS80A4 | 10000        | 4000           |
| 13.4        | 367        | 1.4 | 126.43 | S063            | TS71C4 | 10000        | 4000           |
| 13.4        | 367        | 2.3 | 128.73 | S083            | TS80A4 | 18000        | 7200           |
| 13.2        | 374        | 2.3 | 128.73 | S083            | TS71C4 | 18000        | 7200           |
| 12.6        | 397        | 2.1 | 91.49  | S083            | TS80B6 | 18000        | 7200           |
| 12.2        | 403        | 3.4 | 141.24 | S103            | TS80A4 | 22000        | 9000           |
| 12.0        | 410        | 3.3 | 141.24 | S103            | TS71C4 | 22000        | 9000           |
| 11.5        | 433        | 1.2 | 99.89  | S063            | TS80B6 | 10000        | 4000           |
| 11.5        | 431        | 1.2 | 150.85 | S063            | TS80A4 | 10000        | 4000           |
| 11.5        | 434        | 3.1 | 100.15 | S103            | TS80B6 | 22000        | 9000           |

## 5.2 S GEARED MOTORS (60Hz)

## 0.55 kW

| n <sub>2</sub><br>[rpm] | M <sub>2</sub><br>[Nm] | f <sub>s</sub> | i      | Gear<br>reducer | Motor  | Fr <sub>2</sub><br>D [N] | Fr <sub>2</sub><br>C-L [N] |
|-------------------------|------------------------|----------------|--------|-----------------|--------|--------------------------|----------------------------|
| 11.3                    | 438                    | 1.2            | 150.85 | S063            | TS71C4 | 10000                    | 4000                       |
| 10.9                    | 453                    | 1.9            | 158.76 | S083            | TS80A4 | 18000                    | 7200                       |
| 10.7                    | 461                    | 1.8            | 158.76 | S083            | TS71C4 | 18000                    | 7200                       |
| 10.4                    | 479                    | 2.8            | 110.55 | S103            | TS80B6 | 22000                    | 9000                       |
| 10.0                    | 496                    | 2.8            | 173.78 | S103            | TS80A4 | 22000                    | 9000                       |
| 9.8                     | 508                    | 1.7            | 117.17 | S083            | TS80B6 | 18000                    | 7200                       |
| 9.8                     | 505                    | 2.7            | 173.78 | S103            | TS71C4 | 22000                    | 9000                       |
| 9.4                     | 528                    | 1.6            | 184.88 | S083            | TS80A4 | 18000                    | 7200                       |
| 9.2                     | 537                    | 1.6            | 184.88 | S083            | TS71C4 | 18000                    | 7200                       |
| 8.9                     | 558                    | 1.5            | 128.73 | S083            | TS80B6 | 18000                    | 7200                       |
| 8.9                     | 558                    | 2.4            | 128.73 | S103            | TS80B6 | 22000                    | 9000                       |
| 8.5                     | 580                    | 1.5            | 203.11 | S083            | TS80A4 | 18000                    | 7200                       |
| 8.5                     | 580                    | 2.4            | 203.11 | S103            | TS80A4 | 22000                    | 9000                       |
| 8.4                     | 590                    | 1.4            | 203.11 | S083            | TS71C4 | 18000                    | 7200                       |
| 8.4                     | 590                    | 2.3            | 203.11 | S103            | TS71C4 | 22000                    | 9000                       |
| 8.1                     | 612                    | 2.2            | 141.24 | S103            | TS80B6 | 22000                    | 9000                       |
| 7.8                     | 636                    | 2.1            | 222.85 | S103            | TS80A4 | 22000                    | 9000                       |
| 7.6                     | 647                    | 2.1            | 222.85 | S103            | TS71C4 | 22000                    | 9000                       |
| 7.2                     | 688                    | 1.2            | 158.76 | S083            | TS80B6 | 18000                    | 7200                       |
| 6.9                     | 715                    | 1.2            | 250.50 | S083            | TS80A4 | 18000                    | 7200                       |
| 6.8                     | 728                    | 1.2            | 250.50 | S083            | TS71C4 | 18000                    | 7200                       |
| 6.6                     | 754                    | 1.8            | 173.78 | S103            | TS80B6 | 22000                    | 9000                       |
| 6.5                     | 770                    | 3.3            | 177.53 | S123            | TS80B6 | 30000                    | 11200                      |
| 6.3                     | 783                    | 1.7            | 274.20 | S103            | TS80A4 | 22000                    | 9000                       |
| 6.2                     | 802                    | 1.1            | 184.88 | S083            | TS80B6 | 18000                    | 7200                       |
| 6.2                     | 796                    | 1.7            | 274.20 | S103            | TS71C4 | 22000                    | 9000                       |
| 6.2                     | 799                    | 3.2            | 280.10 | S123            | TS80A4 | 30000                    | 11200                      |
| 5.9                     | 834                    | 1.0            | 292.36 | S083            | TS80A4 | 18000                    | 7200                       |
| 5.9                     | 844                    | 3.0            | 194.59 | S123            | TS80B6 | 30000                    | 11200                      |
| 5.7                     | 881                    | 1.5            | 203.11 | S103            | TS80B6 | 22000                    | 9000                       |
| 5.7                     | 859                    | 3.0            | 301.16 | S123            | TS80A4 | 30000                    | 11200                      |
| 5.4                     | 916                    | 1.5            | 320.79 | S103            | TS80A4 | 22000                    | 9000                       |
| 5.3                     | 932                    | 1.5            | 320.79 | S103            | TS71C4 | 22000                    | 9000                       |
| 5.2                     | 966                    | 1.4            | 222.85 | S103            | TS80B6 | 22000                    | 9000                       |
| 5.0                     | 986                    | 1.4            | 345.60 | S103            | TS80A4 | 22000                    | 9000                       |
| 5.0                     | 982                    | 2.6            | 343.93 | S123            | TS80A4 | 30000                    | 11200                      |
| 4.9                     | 1004                   | 1.4            | 345.60 | S103            | TS71C4 | 22000                    | 9000                       |
| 4.8                     | 1036                   | 2.5            | 238.93 | S123            | TS80B6 | 30000                    | 11200                      |
| 4.4                     | 1126                   | 1.2            | 394.69 | S103            | TS80A4 | 22000                    | 9000                       |
| 4.3                     | 1146                   | 1.2            | 394.69 | S103            | TS71C4 | 22000                    | 9000                       |
| 4.2                     | 1189                   | 1.1            | 274.20 | S103            | TS80B6 | 22000                    | 9000                       |

## 5.2 S GEARED MOTORS (60Hz)

## 0.55 kW

| n2 [rpm] | M2 [Nm] | fs  | i      | Gear reducer | Motor  | Fr2 D [N] | Fr2 C-L [N] |
|----------|---------|-----|--------|--------------|--------|-----------|-------------|
| 4.1      | 1215    | 2.1 | 280.10 | S123         | TS80B6 | 30000     | 11200       |
| 3.8      | 1306    | 2.0 | 301.16 | S123         | TS80B6 | 30000     | 11200       |
| 3.3      | 1491    | 1.7 | 343.93 | S123         | TS80B6 | 30000     | 11200       |

## 0.75 kW

| n2 [rpm] | M2 [Nm] | fs  | i     | Gear reducer | Motor  | Fr2 D [N] | Fr2 C-L [N] |
|----------|---------|-----|-------|--------------|--------|-----------|-------------|
| 133.3    | 52      | 2.4 | 8.63  | S052         | TH90S6 | 4353      | 4353        |
| 131.0    | 53      | 2.3 | 8.63  | S052         | TS80C6 | 4375      | 4375        |
| 131.0    | 53      | 2.3 | 8.63  | S052         | TS90S6 | 4375      | 4375        |
| 128.1    | 54      | 2.8 | 13.66 | S052         | TH80B4 | 4405      | 4405        |
| 128.1    | 54      | 2.8 | 13.66 | S052         | TP80B4 | 4405      | 4405        |
| 126.7    | 54      | 2.8 | 13.66 | S052         | TS80B4 | 4420      | 4420        |
| 114.6    | 60      | 2.9 | 15.27 | S052         | TH80B4 | 4546      | 4546        |
| 114.6    | 60      | 2.9 | 15.27 | S052         | TP80B4 | 4546      | 4546        |
| 113.3    | 61      | 2.9 | 15.27 | S052         | TS80B4 | 4560      | 4560        |
| 107.5    | 64      | 2.7 | 16.29 | S052         | TH80B4 | 4627      | 4627        |
| 107.5    | 64      | 2.7 | 16.29 | S052         | TP80B4 | 4627      | 4627        |
| 106.2    | 65      | 2.7 | 16.29 | S052         | TS80B4 | 4642      | 4642        |
| 103.2    | 67      | 2.0 | 11.14 | S052         | TH90S6 | 4675      | 4675        |
| 101.4    | 68      | 2.0 | 11.14 | S052         | TS90S6 | 4697      | 4697        |
| 101.4    | 68      | 2.0 | 11.14 | S052         | TS80C6 | 4697      | 4697        |
| 93.9     | 73      | 2.4 | 18.63 | S052         | TH80B4 | 4801      | 4801        |
| 93.9     | 73      | 2.4 | 18.63 | S052         | TP80B4 | 4801      | 4801        |
| 92.9     | 74      | 2.3 | 18.63 | S052         | TS80B4 | 4816      | 4816        |
| 84.2     | 82      | 1.8 | 13.66 | S052         | TH90S6 | 4939      | 4939        |
| 83.2     | 83      | 2.3 | 21.04 | S052         | TH80B4 | 4960      | 4960        |
| 83.2     | 83      | 2.3 | 21.04 | S052         | TP80B4 | 4960      | 4960        |
| 82.7     | 84      | 1.8 | 13.66 | S052         | TS80C6 | 4962      | 4962        |
| 82.7     | 84      | 1.8 | 13.66 | S052         | TS90S6 | 4962      | 4962        |
| 82.2     | 84      | 2.2 | 21.04 | S052         | TS80B4 | 4975      | 4975        |
| 75.3     | 92      | 1.9 | 15.27 | S052         | TH90S6 | 5086      | 5086        |
| 74.0     | 94      | 1.9 | 15.27 | S052         | TS80C6 | 5109      | 5109        |
| 74.0     | 94      | 1.9 | 15.27 | S052         | TS90S6 | 5109      | 5109        |
| 72.7     | 95      | 2.0 | 24.07 | S052         | TH80B4 | 5137      | 5137        |
| 72.7     | 95      | 2.0 | 24.07 | S052         | TP80B4 | 5137      | 5137        |
| 71.9     | 96      | 2.0 | 24.07 | S052         | TS80B4 | 5153      | 5153        |
| 70.6     | 98      | 1.8 | 16.29 | S052         | TH90S6 | 5171      | 5171        |
| 69.4     | 100     | 1.7 | 16.29 | S052         | TS80C6 | 5194      | 5194        |
| 69.4     | 100     | 1.7 | 16.29 | S052         | TS90S6 | 5194      | 5194        |
| 67.9     | 101     | 2.1 | 25.79 | S052         | TH80B4 | 5229      | 5229        |



## 5.2 S GEARED MOTORS (60Hz)

## 0.75 kW

| n2<br>[rpm] | M2<br>[Nm] | fs  | i     | Gear<br>reducer | Motor  | Fr2<br>D [N] | Fr2<br>C-L [N] |
|-------------|------------|-----|-------|-----------------|--------|--------------|----------------|
| 67.9        | 101        | 2.1 | 25.79 | S052            | TP80B4 | 5229         | 5229           |
| 67.1        | 102        | 2.0 | 25.79 | S052            | TS80B4 | 5244         | 5244           |
| 62.9        | 109        | 1.9 | 27.81 | S052            | TH80B4 | 5330         | 5330           |
| 62.9        | 109        | 1.9 | 27.81 | S052            | TP80B4 | 5330         | 5330           |
| 62.2        | 111        | 1.9 | 27.81 | S052            | TS80B4 | 5345         | 5345           |
| 61.7        | 113        | 1.5 | 18.63 | S052            | TH90S6 | 5349         | 5349           |
| 60.6        | 115        | 1.5 | 18.63 | S052            | TS80C6 | 5372         | 5372           |
| 60.6        | 115        | 1.5 | 18.63 | S052            | TS90S6 | 5372         | 5372           |
| 58.8        | 118        | 2.8 | 19.55 | S062            | TH90S6 | 9737         | 3895           |
| 58.3        | 118        | 1.8 | 30.00 | S052            | TH80B4 | 5431         | 5431           |
| 58.3        | 118        | 1.8 | 30.00 | S052            | TP80B4 | 5431         | 5431           |
| 58.3        | 118        | 3.1 | 30.00 | S062            | TH80B4 | 9767         | 3907           |
| 58.3        | 118        | 3.1 | 30.00 | S062            | TP80B4 | 9767         | 3907           |
| 57.8        | 120        | 2.8 | 19.55 | S062            | TS80C6 | 9785         | 3914           |
| 57.8        | 120        | 2.8 | 19.55 | S062            | TS90S6 | 9785         | 3914           |
| 57.7        | 119        | 1.7 | 30.00 | S052            | TS80B4 | 5446         | 5446           |
| 57.7        | 119        | 3.0 | 30.00 | S062            | TS80B4 | 9799         | 3920           |
| 54.7        | 127        | 1.5 | 21.04 | S052            | TH90S6 | 5510         | 5510           |
| 53.8        | 128        | 2.0 | 32.55 | S052            | TH80B4 | 5540         | 5540           |
| 53.8        | 128        | 2.0 | 32.55 | S052            | TP80B4 | 5540         | 5540           |
| 53.7        | 129        | 1.5 | 21.04 | S052            | TS90S6 | 5533         | 5533           |
| 53.7        | 129        | 1.5 | 21.04 | S052            | TS80C6 | 5533         | 5533           |
| 53.1        | 129        | 2.0 | 32.55 | S052            | TS80B4 | 5555         | 5555           |
| 49.6        | 140        | 2.4 | 23.18 | S062            | TH90S6 | 10000        | 4000           |
| 48.8        | 142        | 2.4 | 23.18 | S062            | TS80C6 | 10000        | 4000           |
| 48.8        | 142        | 2.4 | 23.18 | S062            | TS90S6 | 10000        | 4000           |
| 47.9        | 144        | 2.0 | 36.55 | S052            | TH80B4 | 5693         | 5693           |
| 47.9        | 144        | 2.0 | 36.55 | S052            | TP80B4 | 5693         | 5693           |
| 47.9        | 144        | 3.5 | 36.57 | S062            | TH80B4 | 10000        | 4000           |
| 47.9        | 144        | 3.5 | 36.57 | S062            | TP80B4 | 10000        | 4000           |
| 47.8        | 145        | 1.3 | 24.07 | S052            | TH90S6 | 5688         | 5688           |
| 47.3        | 145        | 1.9 | 36.55 | S052            | TS80B4 | 5708         | 5708           |
| 47.3        | 145        | 3.5 | 36.57 | S062            | TS80B4 | 10000        | 4000           |
| 47.0        | 148        | 1.3 | 24.07 | S052            | TS80C6 | 5711         | 5711           |
| 47.0        | 148        | 1.3 | 24.07 | S052            | TS90S6 | 5711         | 5711           |
| 45.7        | 152        | 2.3 | 25.14 | S062            | TH90S6 | 10000        | 4000           |
| 44.9        | 155        | 2.2 | 25.14 | S062            | TS80C6 | 10000        | 4000           |
| 44.9        | 155        | 2.2 | 25.14 | S062            | TS90S6 | 10000        | 4000           |
| 44.6        | 156        | 1.3 | 25.79 | S052            | TH90S6 | 5778         | 5778           |
| 44.4        | 155        | 3.3 | 39.38 | S062            | TH80B4 | 10000        | 4000           |
| 44.4        | 155        | 3.3 | 39.38 | S062            | TP80B4 | 10000        | 4000           |

## 5.2 S GEARED MOTORS (60Hz)

## 0.75 kW

| n <sub>2</sub><br>[rpm] | M <sub>2</sub><br>[Nm] | f <sub>s</sub> | i     | Gear<br>reducer | Motor  | Fr <sub>2</sub><br>D [N] | Fr <sub>2</sub><br>C-L [N] |
|-------------------------|------------------------|----------------|-------|-----------------|--------|--------------------------|----------------------------|
| 43.9                    | 157                    | 1.9            | 39.90 | S052            | TH80B4 | 5809                     | 5809                       |
| 43.9                    | 157                    | 1.9            | 39.90 | S052            | TP80B4 | 5809                     | 5809                       |
| 43.9                    | 156                    | 3.3            | 39.38 | S062            | TS80B4 | 10000                    | 4000                       |
| 43.8                    | 158                    | 1.3            | 25.79 | S052            | TS80C6 | 5800                     | 5800                       |
| 43.8                    | 158                    | 1.3            | 25.79 | S052            | TS90S6 | 5800                     | 5800                       |
| 43.4                    | 159                    | 1.9            | 39.90 | S052            | TS80B4 | 5824                     | 5824                       |
| 41.6                    | 167                    | 2.1            | 27.66 | S062            | TH90S6 | 10000                    | 4000                       |
| 41.4                    | 168                    | 1.2            | 27.81 | S052            | TH90S6 | 5875                     | 5875                       |
| 41.1                    | 167                    | 1.8            | 42.63 | S052            | TH80B4 | 5894                     | 5894                       |
| 41.1                    | 167                    | 1.8            | 42.63 | S052            | TP80B4 | 5894                     | 5894                       |
| 40.9                    | 170                    | 2.0            | 27.66 | S062            | TS80C6 | 10000                    | 4000                       |
| 40.9                    | 170                    | 2.0            | 27.66 | S062            | TS90S6 | 10000                    | 4000                       |
| 40.6                    | 169                    | 1.8            | 42.63 | S052            | TS80B4 | 5909                     | 5909                       |
| 40.6                    | 171                    | 1.2            | 27.81 | S052            | TS80C6 | 5898                     | 5898                       |
| 40.6                    | 171                    | 1.2            | 27.81 | S052            | TS90S6 | 5898                     | 5898                       |
| 40.1                    | 171                    | 3.0            | 43.64 | S062            | TH80B4 | 10000                    | 4000                       |
| 40.1                    | 171                    | 3.0            | 43.64 | S062            | TP80B4 | 10000                    | 4000                       |
| 39.6                    | 173                    | 2.9            | 43.64 | S062            | TS80B4 | 10000                    | 4000                       |
| 38.3                    | 181                    | 1.1            | 30.00 | S052            | TH90S6 | 5972                     | 5972                       |
| 38.3                    | 181                    | 2.0            | 30.00 | S062            | TH90S6 | 10000                    | 4000                       |
| 38.0                    | 181                    | 2.8            | 46.10 | S062            | TH80B4 | 10000                    | 4000                       |
| 38.0                    | 181                    | 2.8            | 46.10 | S062            | TP80B4 | 10000                    | 4000                       |
| 37.7                    | 184                    | 1.1            | 30.00 | S052            | TS80C6 | 5994                     | 5994                       |
| 37.7                    | 184                    | 1.1            | 30.00 | S052            | TS90S6 | 5994                     | 5994                       |
| 37.7                    | 184                    | 2.0            | 30.00 | S062            | TS80C6 | 10000                    | 4000                       |
| 37.7                    | 184                    | 2.0            | 30.00 | S062            | TS90S6 | 10000                    | 4000                       |
| 37.5                    | 183                    | 2.8            | 46.10 | S062            | TS80B4 | 10000                    | 4000                       |
| 37.1                    | 185                    | 1.6            | 47.20 | S052            | TH80B4 | 6000                     | 6000                       |
| 37.1                    | 185                    | 1.6            | 47.20 | S052            | TP80B4 | 6000                     | 6000                       |
| 36.6                    | 188                    | 1.6            | 47.20 | S052            | TS80B4 | 6000                     | 6000                       |
| 35.3                    | 197                    | 1.3            | 32.55 | S052            | TH90S6 | 6000                     | 6000                       |
| 34.7                    | 200                    | 1.3            | 32.55 | S052            | TS80C6 | 6000                     | 6000                       |
| 34.7                    | 200                    | 1.3            | 32.55 | S052            | TS90S6 | 6000                     | 6000                       |
| 33.5                    | 205                    | 1.5            | 52.25 | S052            | TH80B4 | 6000                     | 6000                       |
| 33.5                    | 205                    | 1.5            | 52.25 | S052            | TP80B4 | 6000                     | 6000                       |
| 33.1                    | 208                    | 1.4            | 52.25 | S052            | TS80B4 | 6000                     | 6000                       |
| 32.7                    | 210                    | 2.4            | 53.53 | S062            | TH80B4 | 10000                    | 4000                       |
| 32.7                    | 210                    | 2.4            | 53.53 | S062            | TP80B4 | 10000                    | 4000                       |
| 32.3                    | 213                    | 2.4            | 53.53 | S062            | TS80B4 | 10000                    | 4000                       |
| 31.8                    | 216                    | 2.4            | 55.00 | S062            | TH80B4 | 10000                    | 4000                       |
| 31.8                    | 216                    | 2.4            | 55.00 | S062            | TP80B4 | 10000                    | 4000                       |

## 5.2 S GEARED MOTORS (60Hz)

## 0.75 kW

| n <sub>2</sub><br>[rpm] | M <sub>2</sub><br>[Nm] | f <sub>s</sub> | i     | Gear<br>reducer | Motor  | Fr <sub>2</sub><br>D [N] | Fr <sub>2</sub><br>C-L [N] |
|-------------------------|------------------------|----------------|-------|-----------------|--------|--------------------------|----------------------------|
| 31.5                    | 221                    | 1.3            | 36.55 | S052            | TH90S6 | 6000                     | 6000                       |
| 31.5                    | 219                    | 2.3            | 55.00 | S062            | TS80B4 | 10000                    | 4000                       |
| 31.4                    | 221                    | 2.3            | 36.57 | S062            | TH90S6 | 10000                    | 4000                       |
| 30.9                    | 225                    | 1.3            | 36.55 | S052            | TS80C6 | 6000                     | 6000                       |
| 30.9                    | 225                    | 1.3            | 36.55 | S052            | TS90S6 | 6000                     | 6000                       |
| 30.9                    | 225                    | 2.3            | 36.57 | S062            | TS80C6 | 10000                    | 4000                       |
| 30.9                    | 225                    | 2.3            | 36.57 | S062            | TS90S6 | 10000                    | 4000                       |
| 30.2                    | 227                    | 1.3            | 57.86 | S052            | TH80B4 | 6000                     | 6000                       |
| 30.2                    | 227                    | 1.3            | 57.86 | S052            | TP80B4 | 6000                     | 6000                       |
| 29.9                    | 230                    | 1.3            | 57.86 | S052            | TS80B4 | 6000                     | 6000                       |
| 29.2                    | 238                    | 2.1            | 39.38 | S062            | TH90S6 | 10000                    | 4000                       |
| 28.8                    | 241                    | 1.2            | 39.90 | S052            | TH90S6 | 6000                     | 6000                       |
| 28.7                    | 242                    | 2.1            | 39.38 | S062            | TS80C6 | 10000                    | 4000                       |
| 28.7                    | 242                    | 2.1            | 39.38 | S062            | TS90S6 | 10000                    | 4000                       |
| 28.3                    | 245                    | 1.2            | 39.90 | S052            | TS80C6 | 6000                     | 6000                       |
| 28.3                    | 245                    | 1.2            | 39.90 | S052            | TS90S6 | 6000                     | 6000                       |
| 28.2                    | 244                    | 3.5            | 61.98 | S082            | TH80B4 | 18000                    | 7198                       |
| 28.2                    | 244                    | 3.5            | 61.98 | S082            | TP80B4 | 18000                    | 7198                       |
| 27.9                    | 246                    | 3.5            | 61.98 | S082            | TS80B4 | 18000                    | 7200                       |
| 27.0                    | 257                    | 1.2            | 42.63 | S052            | TH90S6 | 6000                     | 6000                       |
| 26.7                    | 260                    | 3.3            | 43.05 | S082            | TH90S6 | 18000                    | 7200                       |
| 26.5                    | 262                    | 1.1            | 42.63 | S052            | TS80C6 | 6000                     | 6000                       |
| 26.5                    | 262                    | 1.1            | 42.63 | S052            | TS90S6 | 6000                     | 6000                       |
| 26.4                    | 264                    | 1.9            | 43.64 | S062            | TH90S6 | 10000                    | 4000                       |
| 26.2                    | 265                    | 3.2            | 43.05 | S082            | TS80C6 | 18000                    | 7200                       |
| 26.2                    | 265                    | 3.2            | 43.05 | S082            | TS90S6 | 18000                    | 7200                       |
| 25.9                    | 268                    | 1.9            | 43.64 | S062            | TS90S6 | 10000                    | 4000                       |
| 25.9                    | 265                    | 1.9            | 67.47 | S062            | TH80B4 | 10000                    | 4000                       |
| 25.9                    | 265                    | 1.9            | 67.47 | S062            | TP80B4 | 10000                    | 4000                       |
| 25.9                    | 268                    | 1.9            | 43.64 | S062            | TS80C6 | 10000                    | 4000                       |
| 25.9                    | 260                    | 3.3            | 67.52 | S083            | TH80B4 | 18000                    | 7200                       |
| 25.9                    | 260                    | 3.3            | 67.52 | S083            | TP80B4 | 18000                    | 7200                       |
| 25.6                    | 268                    | 1.9            | 67.47 | S062            | TS80B4 | 10000                    | 4000                       |
| 25.6                    | 263                    | 3.2            | 67.52 | S083            | TS80B4 | 18000                    | 7200                       |
| 24.9                    | 278                    | 1.8            | 46.10 | S062            | TH90S6 | 10000                    | 4000                       |
| 24.5                    | 283                    | 1.8            | 46.10 | S062            | TS80C6 | 10000                    | 4000                       |
| 24.5                    | 283                    | 1.8            | 46.10 | S062            | TS90S6 | 10000                    | 4000                       |
| 24.4                    | 285                    | 1.0            | 47.20 | S052            | TH90S6 | 6000                     | 6000                       |
| 24.0                    | 286                    | 1.0            | 72.83 | S052            | TH80B4 | 6000                     | 6000                       |
| 24.0                    | 286                    | 1.0            | 72.83 | S052            | TP80B4 | 6000                     | 6000                       |
| 23.9                    | 290                    | 1.0            | 47.20 | S052            | TS80C6 | 6000                     | 6000                       |

## 5.2 S GEARED MOTORS (60Hz)

## 0.75 kW

| n <sub>2</sub><br>[rpm] | M <sub>2</sub><br>[Nm] | f <sub>s</sub> | i      | Gear<br>reducer | Motor  | Fr <sub>2</sub><br>D [N] | Fr <sub>2</sub><br>C-L [N] |
|-------------------------|------------------------|----------------|--------|-----------------|--------|--------------------------|----------------------------|
| 23.9                    | 290                    | 1.0            | 47.20  | S052            | TS90S6 | 6000                     | 6000                       |
| 23.8                    | 289                    | 1.0            | 72.83  | S052            | TS80B4 | 6000                     | 6000                       |
| 23.6                    | 285                    | 1.1            | 74.20  | S053            | TH80B4 | 6000                     | 6000                       |
| 23.6                    | 285                    | 1.1            | 74.20  | S053            | TP80B4 | 6000                     | 6000                       |
| 23.6                    | 285                    | 3.0            | 74.18  | S083            | TH80B4 | 18000                    | 7200                       |
| 23.6                    | 285                    | 3.0            | 74.18  | S083            | TP80B4 | 18000                    | 7200                       |
| 23.3                    | 289                    | 1.0            | 74.20  | S053            | TS80B4 | 6000                     | 6000                       |
| 23.3                    | 289                    | 2.9            | 74.18  | S083            | TS80B4 | 18000                    | 7200                       |
| 22.9                    | 303                    | 2.8            | 50.25  | S082            | TH90S6 | 18000                    | 7200                       |
| 22.5                    | 309                    | 2.8            | 50.25  | S082            | TS80C6 | 18000                    | 7200                       |
| 22.5                    | 309                    | 2.8            | 50.25  | S082            | TS90S6 | 18000                    | 7200                       |
| 21.5                    | 323                    | 1.6            | 53.53  | S062            | TH90S6 | 10000                    | 4000                       |
| 21.5                    | 313                    | 1.6            | 81.43  | S063            | TH80B4 | 10000                    | 4000                       |
| 21.5                    | 313                    | 1.6            | 81.43  | S063            | TP80B4 | 10000                    | 4000                       |
| 21.2                    | 317                    | 1.6            | 81.43  | S063            | TS80B4 | 10000                    | 4000                       |
| 21.2                    | 328                    | 2.6            | 54.27  | S082            | TH90S6 | 18000                    | 7200                       |
| 21.1                    | 329                    | 1.6            | 53.53  | S062            | TS80C6 | 10000                    | 4000                       |
| 21.1                    | 329                    | 1.6            | 53.53  | S062            | TS90S6 | 10000                    | 4000                       |
| 20.9                    | 332                    | 1.5            | 55.00  | S062            | TH90S6 | 10000                    | 4000                       |
| 20.8                    | 334                    | 2.5            | 54.27  | S082            | TS90S6 | 18000                    | 7200                       |
| 20.8                    | 334                    | 2.5            | 54.27  | S082            | TS80C6 | 18000                    | 7200                       |
| 20.5                    | 338                    | 1.5            | 55.00  | S062            | TS80C6 | 10000                    | 4000                       |
| 20.5                    | 338                    | 1.5            | 55.00  | S062            | TS90S6 | 10000                    | 4000                       |
| 20.5                    | 339                    | 3.3            | 55.14  | S102            | TS80C6 | 22000                    | 9000                       |
| 20.5                    | 339                    | 3.3            | 55.14  | S102            | TS90S6 | 22000                    | 9000                       |
| 19.1                    | 352                    | 2.4            | 91.49  | S083            | TH80B4 | 18000                    | 7200                       |
| 19.1                    | 352                    | 2.4            | 91.49  | S083            | TP80B4 | 18000                    | 7200                       |
| 18.9                    | 356                    | 2.4            | 91.49  | S083            | TS80B4 | 18000                    | 7200                       |
| 18.6                    | 374                    | 2.3            | 61.98  | S082            | TH90S6 | 18000                    | 7200                       |
| 18.2                    | 381                    | 2.2            | 61.98  | S082            | TS80C6 | 18000                    | 7200                       |
| 18.2                    | 381                    | 2.2            | 61.98  | S082            | TS90S6 | 18000                    | 7200                       |
| 17.5                    | 384                    | 1.3            | 99.89  | S063            | TH80B4 | 10000                    | 4000                       |
| 17.5                    | 384                    | 1.3            | 99.89  | S063            | TP80B4 | 10000                    | 4000                       |
| 17.5                    | 385                    | 3.5            | 100.15 | S103            | TH80B4 | 22000                    | 9000                       |
| 17.5                    | 385                    | 3.5            | 100.15 | S103            | TP80B4 | 22000                    | 9000                       |
| 17.3                    | 389                    | 1.3            | 99.89  | S063            | TS80B4 | 10000                    | 4000                       |
| 17.3                    | 390                    | 3.5            | 100.15 | S103            | TS80B4 | 22000                    | 9000                       |
| 17.0                    | 407                    | 1.3            | 67.47  | S062            | TH90S6 | 10000                    | 4000                       |
| 17.0                    | 399                    | 2.1            | 67.52  | S083            | TH90S6 | 18000                    | 7200                       |
| 16.7                    | 415                    | 1.2            | 67.47  | S062            | TS80C6 | 10000                    | 4000                       |
| 16.7                    | 415                    | 1.2            | 67.47  | S062            | TS90S6 | 10000                    | 4000                       |

## 5.2 S GEARED MOTORS (60Hz)

## 0.75 kW

| n <sub>2</sub><br>[rpm] | M <sub>2</sub><br>[Nm] | f <sub>s</sub> | i      | Gear<br>reducer | Motor  | Fr <sub>2</sub><br>D [N] | Fr <sub>2</sub><br>C-L [N] |
|-------------------------|------------------------|----------------|--------|-----------------|--------|--------------------------|----------------------------|
| 16.7                    | 406                    | 2.1            | 67.52  | S083            | TS80C6 | 18000                    | 7200                       |
| 16.7                    | 406                    | 2.1            | 67.52  | S083            | TS90S6 | 18000                    | 7200                       |
| 16.7                    | 417                    | 3.3            | 67.84  | S102            | TS80C6 | 22000                    | 9000                       |
| 16.7                    | 417                    | 3.3            | 67.84  | S102            | TS90S6 | 22000                    | 9000                       |
| 15.8                    | 425                    | 3.2            | 110.55 | S103            | TH80B4 | 22000                    | 9000                       |
| 15.8                    | 425                    | 3.2            | 110.55 | S103            | TP80B4 | 22000                    | 9000                       |
| 15.6                    | 430                    | 3.2            | 110.55 | S103            | TS80B4 | 22000                    | 9000                       |
| 15.5                    | 439                    | 1.9            | 74.18  | S083            | TH90S6 | 18000                    | 7200                       |
| 15.5                    | 439                    | 3.1            | 74.18  | S103            | TH90S6 | 22000                    | 9000                       |
| 15.2                    | 446                    | 1.9            | 74.18  | S083            | TS80C6 | 18000                    | 7200                       |
| 15.2                    | 446                    | 1.9            | 74.18  | S083            | TS90S6 | 18000                    | 7200                       |
| 15.2                    | 446                    | 3.1            | 74.18  | S103            | TS80C6 | 22000                    | 9000                       |
| 15.2                    | 446                    | 3.1            | 74.18  | S103            | TS90S6 | 22000                    | 9000                       |
| 14.9                    | 451                    | 1.9            | 117.17 | S083            | TH80B4 | 18000                    | 7200                       |
| 14.9                    | 451                    | 1.9            | 117.17 | S083            | TP80B4 | 18000                    | 7200                       |
| 14.8                    | 456                    | 1.9            | 117.17 | S083            | TS80B4 | 18000                    | 7200                       |
| 14.1                    | 482                    | 1.1            | 81.43  | S063            | TH90S6 | 10000                    | 4000                       |
| 14.1                    | 481                    | 2.8            | 81.39  | S103            | TH90S6 | 22000                    | 9000                       |
| 13.9                    | 490                    | 1.0            | 81.43  | S063            | TS80C6 | 10000                    | 4000                       |
| 13.9                    | 490                    | 1.0            | 81.43  | S063            | TS90S6 | 10000                    | 4000                       |
| 13.9                    | 490                    | 2.8            | 81.39  | S103            | TS80C6 | 22000                    | 9000                       |
| 13.9                    | 490                    | 2.8            | 81.39  | S103            | TS90S6 | 22000                    | 9000                       |
| 13.8                    | 486                    | 1.0            | 126.43 | S063            | TH80B4 | 10000                    | 4000                       |
| 13.8                    | 486                    | 1.0            | 126.43 | S063            | TP80B4 | 10000                    | 4000                       |
| 13.7                    | 492                    | 1.0            | 126.43 | S063            | TS80B4 | 10000                    | 4000                       |
| 13.6                    | 495                    | 1.7            | 128.73 | S083            | TH80B4 | 18000                    | 7200                       |
| 13.6                    | 495                    | 1.7            | 128.73 | S083            | TP80B4 | 18000                    | 7200                       |
| 13.6                    | 495                    | 2.8            | 128.73 | S103            | TH80B4 | 22000                    | 9000                       |
| 13.6                    | 495                    | 2.8            | 128.73 | S103            | TP80B4 | 22000                    | 9000                       |
| 13.4                    | 501                    | 1.7            | 128.73 | S083            | TS80B4 | 18000                    | 7200                       |
| 13.4                    | 501                    | 2.7            | 128.73 | S103            | TS80B4 | 22000                    | 9000                       |
| 12.6                    | 541                    | 1.6            | 91.49  | S083            | TH90S6 | 18000                    | 7200                       |
| 12.4                    | 551                    | 1.5            | 91.49  | S083            | TS80C6 | 18000                    | 7200                       |
| 12.4                    | 551                    | 1.5            | 91.49  | S083            | TS90S6 | 18000                    | 7200                       |
| 12.4                    | 543                    | 2.5            | 141.24 | S103            | TH80B4 | 22000                    | 9000                       |
| 12.4                    | 543                    | 2.5            | 141.24 | S103            | TP80B4 | 22000                    | 9000                       |
| 12.2                    | 550                    | 2.5            | 141.24 | S103            | TS80B4 | 22000                    | 9000                       |
| 11.5                    | 592                    | 2.3            | 100.15 | S103            | TH90S6 | 22000                    | 9000                       |
| 11.3                    | 603                    | 2.3            | 100.15 | S103            | TS80C6 | 22000                    | 9000                       |
| 11.3                    | 603                    | 2.3            | 100.15 | S103            | TS90S6 | 22000                    | 9000                       |
| 11.0                    | 611                    | 1.4            | 158.76 | S083            | TH80B4 | 18000                    | 7200                       |

## 5.2 S GEARED MOTORS (60Hz)

## 0.75 kW

| n <sub>2</sub><br>[rpm] | M <sub>2</sub><br>[Nm] | f <sub>s</sub> | i      | Gear<br>reducer | Motor  | Fr <sub>2</sub><br>D [N] | Fr <sub>2</sub><br>C-L [N] |
|-------------------------|------------------------|----------------|--------|-----------------|--------|--------------------------|----------------------------|
| 11.0                    | 611                    | 1.4            | 158.76 | S083            | TP80B4 | 18000                    | 7200                       |
| 10.9                    | 618                    | 1.4            | 158.76 | S083            | TS80B4 | 18000                    | 7200                       |
| 10.4                    | 654                    | 2.1            | 110.55 | S103            | TH90S6 | 22000                    | 9000                       |
| 10.2                    | 665                    | 2.1            | 110.55 | S103            | TS80C6 | 22000                    | 9000                       |
| 10.2                    | 665                    | 2.1            | 110.55 | S103            | TS90S6 | 22000                    | 9000                       |
| 10.1                    | 669                    | 2.0            | 173.78 | S103            | TH80B4 | 22000                    | 9000                       |
| 10.1                    | 669                    | 2.0            | 173.78 | S103            | TP80B4 | 22000                    | 9000                       |
| 10.0                    | 676                    | 2.0            | 173.78 | S103            | TS80B4 | 22000                    | 9000                       |
| 9.8                     | 693                    | 1.2            | 117.17 | S083            | TH90S6 | 18000                    | 7200                       |
| 9.6                     | 705                    | 1.2            | 117.17 | S083            | TS80C6 | 18000                    | 7200                       |
| 9.6                     | 705                    | 1.2            | 117.17 | S083            | TS90S6 | 18000                    | 7200                       |
| 9.5                     | 711                    | 1.2            | 184.88 | S083            | TH80B4 | 18000                    | 7200                       |
| 9.5                     | 711                    | 1.2            | 184.88 | S083            | TP80B4 | 18000                    | 7200                       |
| 9.4                     | 720                    | 1.2            | 184.88 | S083            | TS80B4 | 18000                    | 7200                       |
| 9.0                     | 749                    | 3.4            | 194.59 | S123            | TH80B4 | 30000                    | 11200                      |
| 9.0                     | 749                    | 3.4            | 194.59 | S123            | TP80B4 | 30000                    | 11200                      |
| 8.9                     | 761                    | 1.1            | 128.73 | S083            | TH90S6 | 18000                    | 7200                       |
| 8.9                     | 761                    | 1.8            | 128.73 | S103            | TH90S6 | 22000                    | 9000                       |
| 8.9                     | 757                    | 3.4            | 194.59 | S123            | TS80B4 | 30000                    | 11200                      |
| 8.8                     | 775                    | 1.1            | 128.73 | S083            | TS80C6 | 18000                    | 7200                       |
| 8.8                     | 775                    | 1.1            | 128.73 | S083            | TS90S6 | 18000                    | 7200                       |
| 8.8                     | 775                    | 1.8            | 128.73 | S103            | TS80C6 | 22000                    | 9000                       |
| 8.8                     | 775                    | 1.8            | 128.73 | S103            | TS90S6 | 22000                    | 9000                       |
| 8.6                     | 781                    | 1.1            | 203.11 | S083            | TH80B4 | 18000                    | 7200                       |
| 8.6                     | 781                    | 1.1            | 203.11 | S083            | TP80B4 | 18000                    | 7200                       |
| 8.6                     | 781                    | 1.7            | 203.11 | S103            | TH80B4 | 22000                    | 9000                       |
| 8.6                     | 781                    | 1.7            | 203.11 | S103            | TP80B4 | 22000                    | 9000                       |
| 8.6                     | 791                    | 3.2            | 133.78 | S123            | TH90S6 | 30000                    | 11200                      |
| 8.5                     | 790                    | 1.1            | 203.11 | S083            | TS80B4 | 18000                    | 7200                       |
| 8.5                     | 790                    | 1.7            | 203.11 | S103            | TS80B4 | 22000                    | 9000                       |
| 8.4                     | 805                    | 3.2            | 133.78 | S123            | TS80C6 | 30000                    | 11200                      |
| 8.4                     | 805                    | 3.2            | 133.78 | S123            | TS90S6 | 30000                    | 11200                      |
| 8.1                     | 835                    | 1.6            | 141.24 | S103            | TH90S6 | 22000                    | 9000                       |
| 8.0                     | 850                    | 1.6            | 141.24 | S103            | TS80C6 | 22000                    | 9000                       |
| 8.0                     | 850                    | 1.6            | 141.24 | S103            | TS90S6 | 22000                    | 9000                       |
| 7.9                     | 857                    | 1.6            | 222.85 | S103            | TH80B4 | 22000                    | 9000                       |
| 7.9                     | 857                    | 1.6            | 222.85 | S103            | TP80B4 | 22000                    | 9000                       |
| 7.8                     | 867                    | 1.6            | 222.85 | S103            | TS80B4 | 22000                    | 9000                       |
| 7.6                     | 895                    | 2.9            | 151.43 | S123            | TH90S6 | 30000                    | 11200                      |
| 7.5                     | 911                    | 2.8            | 151.43 | S123            | TS80C6 | 30000                    | 11200                      |
| 7.5                     | 911                    | 2.8            | 151.43 | S123            | TS90S6 | 30000                    | 11200                      |

## 5.2 S GEARED MOTORS (60Hz)

## 0.75 kW

| n <sub>2</sub><br>[rpm] | M <sub>2</sub><br>[Nm] | f <sub>s</sub> | i      | Gear<br>reducer | Motor  | Fr <sub>2</sub><br>D [N] | Fr <sub>2</sub><br>C-L [N] |
|-------------------------|------------------------|----------------|--------|-----------------|--------|--------------------------|----------------------------|
| 7.3                     | 919                    | 2.8            | 238.93 | S123            | TH80B4 | 30000                    | 11200                      |
| 7.3                     | 919                    | 2.8            | 238.93 | S123            | TP80B4 | 30000                    | 11200                      |
| 7.2                     | 930                    | 2.8            | 238.93 | S123            | TS80B4 | 30000                    | 11200                      |
| 6.6                     | 1028                   | 1.3            | 173.78 | S103            | TH90S6 | 22000                    | 9000                       |
| 6.5                     | 1046                   | 1.3            | 173.78 | S103            | TS80C6 | 22000                    | 9000                       |
| 6.5                     | 1046                   | 1.3            | 173.78 | S103            | TS90S6 | 22000                    | 9000                       |
| 6.5                     | 1050                   | 2.4            | 177.53 | S123            | TH90S6 | 30000                    | 11200                      |
| 6.4                     | 1055                   | 1.3            | 274.20 | S103            | TH80B4 | 22000                    | 9000                       |
| 6.4                     | 1055                   | 1.3            | 274.20 | S103            | TP80B4 | 22000                    | 9000                       |
| 6.4                     | 1068                   | 2.4            | 177.53 | S123            | TS80C6 | 30000                    | 11200                      |
| 6.4                     | 1068                   | 2.4            | 177.53 | S123            | TS90S6 | 30000                    | 11200                      |
| 6.3                     | 1067                   | 1.3            | 274.20 | S103            | TS80B4 | 22000                    | 9000                       |
| 6.2                     | 1078                   | 2.4            | 280.10 | S123            | TH80B4 | 30000                    | 11200                      |
| 6.2                     | 1078                   | 2.4            | 280.10 | S123            | TP80B4 | 30000                    | 11200                      |
| 6.2                     | 1090                   | 2.3            | 280.10 | S123            | TS80B4 | 30000                    | 11200                      |
| 5.9                     | 1151                   | 2.2            | 194.59 | S123            | TH90S6 | 30000                    | 11200                      |
| 5.8                     | 1171                   | 2.2            | 194.59 | S123            | TS80C6 | 30000                    | 11200                      |
| 5.8                     | 1171                   | 2.2            | 194.59 | S123            | TS90S6 | 30000                    | 11200                      |
| 5.8                     | 1159                   | 2.2            | 301.16 | S123            | TH80B4 | 30000                    | 11200                      |
| 5.8                     | 1159                   | 2.2            | 301.16 | S123            | TP80B4 | 30000                    | 11200                      |
| 5.7                     | 1201                   | 1.1            | 203.11 | S103            | TH90S6 | 22000                    | 9000                       |
| 5.7                     | 1172                   | 2.2            | 301.16 | S123            | TS80B4 | 30000                    | 11200                      |
| 5.6                     | 1222                   | 1.1            | 203.11 | S103            | TS80C6 | 22000                    | 9000                       |
| 5.6                     | 1222                   | 1.1            | 203.11 | S103            | TS90S6 | 22000                    | 9000                       |
| 5.5                     | 1234                   | 1.1            | 320.79 | S103            | TH80B4 | 22000                    | 9000                       |
| 5.5                     | 1234                   | 1.1            | 320.79 | S103            | TP80B4 | 22000                    | 9000                       |
| 5.4                     | 1248                   | 1.1            | 320.79 | S103            | TS80B4 | 22000                    | 9000                       |
| 5.2                     | 1318                   | 1.0            | 222.85 | S103            | TH90S6 | 22000                    | 9000                       |
| 5.1                     | 1341                   | 1.0            | 222.85 | S103            | TS80C6 | 22000                    | 9000                       |
| 5.1                     | 1341                   | 1.0            | 222.85 | S103            | TS90S6 | 22000                    | 9000                       |
| 5.1                     | 1330                   | 1.0            | 345.60 | S103            | TH80B4 | 22000                    | 9000                       |
| 5.1                     | 1330                   | 1.0            | 345.60 | S103            | TP80B4 | 22000                    | 9000                       |
| 5.1                     | 1323                   | 1.9            | 343.93 | S123            | TH80B4 | 30000                    | 11200                      |
| 5.1                     | 1323                   | 1.9            | 343.93 | S123            | TP80B4 | 30000                    | 11200                      |
| 5.0                     | 1345                   | 1.0            | 345.60 | S103            | TS80B4 | 22000                    | 9000                       |
| 5.0                     | 1339                   | 1.9            | 343.93 | S123            | TS80B4 | 30000                    | 11200                      |
| 4.8                     | 1413                   | 1.8            | 238.93 | S123            | TH90S6 | 30000                    | 11200                      |
| 4.7                     | 1438                   | 1.8            | 238.93 | S123            | TS80C6 | 30000                    | 11200                      |
| 4.7                     | 1438                   | 1.8            | 238.93 | S123            | TS90S6 | 30000                    | 11200                      |
| 4.1                     | 1656                   | 1.5            | 280.10 | S123            | TH90S6 | 30000                    | 11200                      |
| 4.0                     | 1686                   | 1.5            | 280.10 | S123            | TS80C6 | 30000                    | 11200                      |

## 5.2 S GEARED MOTORS (60Hz)

## 0.75 kW

| n2 [rpm] | M2 [Nm] | fs  | i      | Gear reducer | Motor  | Fr2 D [N] | Fr2 C-L [N] |
|----------|---------|-----|--------|--------------|--------|-----------|-------------|
| 4.0      | 1686    | 1.5 | 280.10 | S123         | TS90S6 | 30000     | 11200       |
| 3.8      | 1812    | 1.4 | 301.16 | S123         | TS80C6 | 30000     | 11200       |
| 3.8      | 1781    | 1.4 | 301.16 | S123         | TH90S6 | 30000     | 11200       |
| 3.8      | 1812    | 1.4 | 301.16 | S123         | TS90S6 | 30000     | 11200       |
| 3.3      | 2034    | 1.3 | 343.93 | S123         | TH90S6 | 30000     | 11200       |
| 3.3      | 2070    | 1.2 | 343.93 | S123         | TS90S6 | 30000     | 11200       |
| 3.3      | 2070    | 1.2 | 343.93 | S123         | TS80C6 | 30000     | 11200       |

## 0.92 kW

| n2 [rpm] | M2 [Nm] | fs  | i     | Gear reducer | Motor  | Fr2 D [N] | Fr2 C-L [N] |
|----------|---------|-----|-------|--------------|--------|-----------|-------------|
| 199.4    | 42      | 2.9 | 8.63  | S052         | TS80C4 | 3831      | 3831        |
| 154.4    | 55      | 2.5 | 11.14 | S052         | TS80C4 | 4118      | 4118        |
| 125.9    | 67      | 2.3 | 13.66 | S052         | TS80C4 | 4355      | 4355        |
| 112.6    | 75      | 2.3 | 15.27 | S052         | TS80C4 | 4487      | 4487        |
| 105.6    | 80      | 2.2 | 16.29 | S052         | TS80C4 | 4564      | 4564        |
| 92.3     | 91      | 1.9 | 18.63 | S052         | TS80C4 | 4725      | 4725        |
| 81.8     | 103     | 1.8 | 21.04 | S052         | TS80C4 | 4872      | 4872        |
| 74.2     | 114     | 3.0 | 23.18 | S062         | TS80C4 | 8991      | 3597        |
| 71.5     | 118     | 1.6 | 24.07 | S052         | TS80C4 | 5034      | 5034        |
| 68.4     | 123     | 2.8 | 25.14 | S062         | TS80C4 | 9195      | 3678        |
| 66.7     | 126     | 1.6 | 25.79 | S052         | TS80C4 | 5116      | 5116        |
| 62.2     | 136     | 2.6 | 27.66 | S062         | TS80C4 | 9435      | 3774        |
| 61.9     | 136     | 1.5 | 27.81 | S052         | TS80C4 | 5207      | 5207        |
| 57.3     | 147     | 1.4 | 30.00 | S052         | TS80C4 | 5296      | 5296        |
| 57.3     | 147     | 2.4 | 30.00 | S062         | TS80C4 | 9642      | 3857        |
| 52.8     | 160     | 1.6 | 32.55 | S052         | TS80C4 | 5391      | 5391        |
| 47.1     | 179     | 1.6 | 36.55 | S052         | TS80C4 | 5524      | 5524        |
| 47.0     | 179     | 2.8 | 36.57 | S062         | TS80C4 | 10000     | 4000        |
| 43.7     | 193     | 2.6 | 39.38 | S062         | TS80C4 | 10000     | 4000        |
| 43.1     | 196     | 1.5 | 39.90 | S052         | TS80C4 | 5621      | 5621        |
| 40.4     | 209     | 1.4 | 42.63 | S052         | TS80C4 | 5692      | 5692        |
| 39.4     | 214     | 2.4 | 43.64 | S062         | TS80C4 | 10000     | 4000        |
| 37.3     | 226     | 2.3 | 46.10 | S062         | TS80C4 | 10000     | 4000        |
| 36.4     | 231     | 1.3 | 47.20 | S052         | TS80C4 | 5798      | 5798        |
| 34.2     | 246     | 3.4 | 50.25 | S082         | TS80C4 | 18000     | 6738        |
| 32.9     | 256     | 1.2 | 52.25 | S052         | TS80C4 | 5898      | 5898        |
| 32.1     | 262     | 1.9 | 53.53 | S062         | TS80C4 | 10000     | 4000        |
| 31.7     | 266     | 3.2 | 54.27 | S082         | TS80C4 | 18000     | 6899        |
| 31.3     | 270     | 1.9 | 55.00 | S062         | TS80C4 | 10000     | 4000        |
| 29.7     | 284     | 1.1 | 57.86 | S052         | TS80C4 | 5991      | 5991        |



## 5.2 S GEARED MOTORS (60Hz)

## 0.92 kW

| n2 [rpm] | M2 [Nm] | fs  | i      | Gear reducer | Motor  | Fr2 D [N] | Fr2 C-L [N] |
|----------|---------|-----|--------|--------------|--------|-----------|-------------|
| 27.8     | 304     | 2.8 | 61.98  | S082         | TS80C4 | 18000     | 7184        |
| 25.5     | 331     | 1.5 | 67.47  | S062         | TS80C4 | 10000     | 4000        |
| 25.5     | 324     | 2.6 | 67.52  | S083         | TS80C4 | 18000     | 7200        |
| 23.2     | 356     | 2.4 | 74.18  | S083         | TS80C4 | 18000     | 7200        |
| 21.1     | 391     | 1.3 | 81.43  | S063         | TS80C4 | 10000     | 4000        |
| 21.1     | 391     | 3.5 | 81.39  | S103         | TS80C4 | 22000     | 9000        |
| 18.8     | 439     | 1.9 | 91.49  | S083         | TS80C4 | 18000     | 7200        |
| 17.2     | 480     | 1.1 | 99.89  | S063         | TS80C4 | 10000     | 4000        |
| 17.2     | 481     | 2.8 | 100.15 | S103         | TS80C4 | 22000     | 9000        |
| 15.6     | 531     | 2.6 | 110.55 | S103         | TS80C4 | 22000     | 9000        |
| 14.7     | 563     | 1.5 | 117.17 | S083         | TS80C4 | 18000     | 7200        |
| 13.4     | 618     | 1.4 | 128.73 | S083         | TS80C4 | 18000     | 7200        |
| 13.4     | 618     | 2.2 | 128.73 | S103         | TS80C4 | 22000     | 9000        |
| 12.2     | 678     | 2.0 | 141.24 | S103         | TS80C4 | 22000     | 9000        |
| 11.4     | 727     | 3.5 | 151.43 | S123         | TS80C4 | 30000     | 11200       |
| 10.8     | 762     | 1.1 | 158.76 | S083         | TS80C4 | 18000     | 7200        |
| 9.9      | 834     | 1.6 | 173.78 | S103         | TS80C4 | 22000     | 9000        |
| 9.7      | 852     | 3.0 | 177.53 | S123         | TS80C4 | 30000     | 11200       |
| 8.8      | 934     | 2.7 | 194.59 | S123         | TS80C4 | 30000     | 11200       |
| 8.5      | 975     | 1.4 | 203.11 | S103         | TS80C4 | 22000     | 9000        |
| 7.7      | 1070    | 1.3 | 222.85 | S103         | TS80C4 | 22000     | 9000        |
| 7.2      | 1147    | 2.2 | 238.93 | S123         | TS80C4 | 30000     | 11200       |
| 6.3      | 1317    | 1.0 | 274.20 | S103         | TS80C4 | 22000     | 9000        |
| 6.1      | 1345    | 1.9 | 280.10 | S123         | TS80C4 | 30000     | 11200       |
| 5.7      | 1446    | 1.8 | 301.16 | S123         | TS80C4 | 30000     | 11200       |
| 5.0      | 1651    | 1.6 | 343.93 | S123         | TS80C4 | 30000     | 11200       |

## 1.10 kW

| n2 [rpm] | M2 [Nm] | fs  | i     | Gear reducer | Motor  | Fr2 D [N] | Fr2 C-L [N] |
|----------|---------|-----|-------|--------------|--------|-----------|-------------|
| 202.9    | 50      | 2.5 | 8.63  | S052         | TH90S4 | 3764      | 3764        |
| 202.9    | 50      | 2.5 | 8.63  | S052         | TP90S4 | 3764      | 3764        |
| 200.6    | 50      | 2.4 | 8.63  | S052         | TS80D4 | 3777      | 3777        |
| 199.4    | 51      | 2.4 | 8.63  | S052         | TS90S4 | 3783      | 3783        |
| 157.1    | 64      | 2.1 | 11.14 | S052         | TH90S4 | 4037      | 4037        |
| 157.1    | 64      | 2.1 | 11.14 | S052         | TP90S4 | 4037      | 4037        |
| 155.3    | 65      | 2.1 | 11.14 | S052         | TS80D4 | 4050      | 4050        |
| 154.4    | 65      | 2.1 | 11.14 | S052         | TS90S4 | 4056      | 4056        |
| 133.3    | 76      | 1.6 | 8.63  | S052         | TH90L6 | 4212      | 4212        |
| 132.2    | 77      | 1.6 | 8.63  | S052         | TS90L6 | 4221      | 4221        |
| 128.1    | 79      | 1.9 | 13.66 | S052         | TH90S4 | 4260      | 4260        |

## 5.2 S GEARED MOTORS (60Hz)

## 1.10 kW

| n2<br>[rpm] | M2<br>[Nm] | fs  | i     | Gear<br>reducer | Motor  | Fr2<br>D [N] | Fr2<br>C-L [N] |
|-------------|------------|-----|-------|-----------------|--------|--------------|----------------|
| 128.1       | 79         | 1.9 | 13.66 | S052            | TP90S4 | 4260         | 4260           |
| 126.7       | 80         | 1.9 | 13.66 | S052            | TS80D4 | 4272         | 4272           |
| 125.9       | 80         | 1.9 | 13.66 | S052            | TS90S4 | 4279         | 4279           |
| 114.6       | 88         | 2.0 | 15.27 | S052            | TH90S4 | 4383         | 4383           |
| 114.6       | 88         | 2.0 | 15.27 | S052            | TP90S4 | 4383         | 4383           |
| 113.3       | 89         | 2.0 | 15.27 | S052            | TS80D4 | 4396         | 4396           |
| 112.6       | 90         | 1.9 | 15.27 | S052            | TS90S4 | 4402         | 4402           |
| 107.5       | 94         | 1.9 | 16.29 | S052            | TH90S4 | 4454         | 4454           |
| 107.5       | 94         | 1.9 | 16.29 | S052            | TP90S4 | 4454         | 4454           |
| 106.2       | 95         | 1.8 | 16.29 | S052            | TS80D4 | 4467         | 4467           |
| 105.6       | 95         | 1.8 | 16.29 | S052            | TS90S4 | 4473         | 4473           |
| 103.2       | 99         | 1.4 | 11.14 | S052            | TH90L6 | 4493         | 4493           |
| 102.3       | 100        | 1.4 | 11.14 | S052            | TS90L6 | 4502         | 4502           |
| 98.2        | 104        | 2.7 | 11.71 | S062            | TH90L6 | 8196         | 3279           |
| 97.4        | 105        | 2.7 | 11.71 | S062            | TS90L6 | 8216         | 3286           |
| 93.9        | 107        | 1.6 | 18.63 | S052            | TH90S4 | 4602         | 4602           |
| 93.9        | 107        | 1.6 | 18.63 | S052            | TP90S4 | 4602         | 4602           |
| 92.9        | 109        | 1.6 | 18.63 | S052            | TS80D4 | 4615         | 4615           |
| 92.3        | 109        | 1.6 | 18.63 | S052            | TS90S4 | 4621         | 4621           |
| 89.5        | 113        | 2.9 | 19.55 | S062            | TH90S4 | 8415         | 3366           |
| 89.5        | 113        | 2.9 | 19.55 | S062            | TP90S4 | 8415         | 3366           |
| 88.5        | 114        | 2.9 | 19.55 | S062            | TS80D4 | 8441         | 3377           |
| 88.0        | 115        | 2.9 | 19.55 | S062            | TS90S4 | 8455         | 3382           |
| 86.1        | 118        | 2.6 | 13.36 | S062            | TH90L6 | 8497         | 3399           |
| 85.3        | 119        | 2.5 | 13.36 | S062            | TS90L6 | 8517         | 3407           |
| 84.2        | 121        | 1.3 | 13.66 | S052            | TH90L6 | 4715         | 4715           |
| 83.5        | 122        | 1.2 | 13.66 | S052            | TS90L6 | 4725         | 4725           |
| 83.2        | 121        | 1.6 | 21.04 | S052            | TH90S4 | 4735         | 4735           |
| 83.2        | 121        | 1.6 | 21.04 | S052            | TP90S4 | 4735         | 4735           |
| 82.2        | 123        | 1.5 | 21.04 | S052            | TS80D4 | 4748         | 4748           |
| 81.8        | 123        | 1.5 | 21.04 | S052            | TS90S4 | 4754         | 4754           |
| 75.5        | 134        | 2.5 | 23.18 | S062            | TH90S4 | 8810         | 3524           |
| 75.5        | 134        | 2.5 | 23.18 | S062            | TP90S4 | 8810         | 3524           |
| 75.3        | 135        | 1.3 | 15.27 | S052            | TH90L6 | 4836         | 4836           |
| 74.6        | 136        | 1.3 | 15.27 | S052            | TS90L6 | 4845         | 4845           |
| 74.6        | 135        | 2.5 | 23.18 | S062            | TS80D4 | 8837         | 3535           |
| 74.2        | 136        | 2.5 | 23.18 | S062            | TS90S4 | 8850         | 3540           |
| 72.7        | 139        | 1.4 | 24.07 | S052            | TH90S4 | 4881         | 4881           |
| 72.7        | 139        | 1.4 | 24.07 | S052            | TP90S4 | 4881         | 4881           |
| 72.2        | 141        | 2.3 | 15.94 | S062            | TH90L6 | 8907         | 3563           |
| 71.9        | 140        | 1.3 | 24.07 | S052            | TS80D4 | 4893         | 4893           |

## 5.2 S GEARED MOTORS (60Hz)

## 1.10 kW

| n <sub>2</sub><br>[rpm] | M <sub>2</sub><br>[Nm] | f <sub>s</sub> | i     | Gear<br>reducer | Motor  | Fr <sub>2</sub><br>D [N] | Fr <sub>2</sub><br>C-L [N] |
|-------------------------|------------------------|----------------|-------|-----------------|--------|--------------------------|----------------------------|
| 71.5                    | 141                    | 1.3            | 24.07 | S052            | TS90S4 | 4900                     | 4900                       |
| 71.5                    | 142                    | 2.3            | 15.94 | S062            | TS90L6 | 8928                     | 3571                       |
| 70.6                    | 144                    | 1.2            | 16.29 | S052            | TH90L6 | 4904                     | 4904                       |
| 70.0                    | 146                    | 1.2            | 16.29 | S052            | TS90L6 | 4913                     | 4913                       |
| 69.6                    | 145                    | 2.4            | 25.14 | S062            | TH90S4 | 9001                     | 3600                       |
| 69.6                    | 145                    | 2.4            | 25.14 | S062            | TP90S4 | 9001                     | 3600                       |
| 68.8                    | 147                    | 2.4            | 25.14 | S062            | TS80D4 | 9028                     | 3611                       |
| 68.4                    | 147                    | 2.3            | 25.14 | S062            | TS90S4 | 9042                     | 3617                       |
| 67.9                    | 149                    | 1.4            | 25.79 | S052            | TH90S4 | 4955                     | 4955                       |
| 67.9                    | 149                    | 1.4            | 25.79 | S052            | TP90S4 | 4955                     | 4955                       |
| 67.1                    | 150                    | 1.4            | 25.79 | S052            | TS80D4 | 4967                     | 4967                       |
| 66.7                    | 151                    | 1.4            | 25.79 | S052            | TS90S4 | 4973                     | 4973                       |
| 63.3                    | 159                    | 2.2            | 27.66 | S062            | TH90S4 | 9226                     | 3690                       |
| 63.3                    | 159                    | 2.2            | 27.66 | S062            | TP90S4 | 9226                     | 3690                       |
| 62.9                    | 160                    | 1.3            | 27.81 | S052            | TH90S4 | 5034                     | 5034                       |
| 62.9                    | 160                    | 1.3            | 27.81 | S052            | TP90S4 | 5034                     | 5034                       |
| 62.6                    | 161                    | 2.1            | 27.66 | S062            | TS80D4 | 9253                     | 3701                       |
| 62.2                    | 162                    | 1.3            | 27.81 | S052            | TS80D4 | 5046                     | 5046                       |
| 62.2                    | 162                    | 2.1            | 27.66 | S062            | TS90S4 | 9267                     | 3707                       |
| 61.9                    | 163                    | 1.3            | 27.81 | S052            | TS90S4 | 5052                     | 5052                       |
| 61.7                    | 165                    | 1.1            | 18.63 | S052            | TH90L6 | 5044                     | 5044                       |
| 61.2                    | 166                    | 1.0            | 18.63 | S052            | TS90L6 | 5053                     | 5053                       |
| 58.8                    | 173                    | 1.9            | 19.55 | S062            | TH90L6 | 9388                     | 3755                       |
| 58.3                    | 173                    | 1.2            | 30.00 | S052            | TH90S4 | 5111                     | 5111                       |
| 58.3                    | 173                    | 1.2            | 30.00 | S052            | TP90S4 | 5111                     | 5111                       |
| 58.3                    | 173                    | 2.1            | 30.00 | S062            | TH90S4 | 9419                     | 3768                       |
| 58.3                    | 173                    | 2.1            | 30.00 | S062            | TP90S4 | 9419                     | 3768                       |
| 58.3                    | 175                    | 1.9            | 19.55 | S062            | TS90L6 | 9409                     | 3763                       |
| 57.7                    | 175                    | 1.2            | 30.00 | S052            | TS80D4 | 5123                     | 5123                       |
| 57.7                    | 175                    | 2.1            | 30.00 | S062            | TS80D4 | 9446                     | 3778                       |
| 57.3                    | 176                    | 1.2            | 30.00 | S052            | TS90S4 | 5129                     | 5129                       |
| 57.3                    | 176                    | 2.0            | 30.00 | S062            | TS90S4 | 9460                     | 3784                       |
| 54.7                    | 186                    | 1.0            | 21.04 | S052            | TH90L6 | 5166                     | 5166                       |
| 54.2                    | 188                    | 1.0            | 21.04 | S052            | TS90L6 | 5174                     | 5174                       |
| 53.8                    | 188                    | 1.4            | 32.55 | S052            | TH90S4 | 5193                     | 5193                       |
| 53.8                    | 188                    | 1.4            | 32.55 | S052            | TP90S4 | 5193                     | 5193                       |
| 53.1                    | 190                    | 1.3            | 32.55 | S052            | TS80D4 | 5204                     | 5204                       |
| 52.8                    | 191                    | 1.3            | 32.55 | S052            | TS90S4 | 5210                     | 5210                       |
| 49.6                    | 205                    | 1.6            | 23.18 | S062            | TH90L6 | 9790                     | 3916                       |
| 49.2                    | 207                    | 1.6            | 23.18 | S062            | TS90L6 | 9811                     | 3924                       |
| 47.9                    | 211                    | 1.3            | 36.55 | S052            | TH90S4 | 5304                     | 5304                       |

## 5.2 S GEARED MOTORS (60Hz)

## 1.10 kW

| n <sub>2</sub><br>[rpm] | M <sub>2</sub><br>[Nm] | f <sub>s</sub> | i     | Gear<br>reducer | Motor  | Fr <sub>2</sub><br>D [N] | Fr <sub>2</sub><br>C-L [N] |
|-------------------------|------------------------|----------------|-------|-----------------|--------|--------------------------|----------------------------|
| 47.9                    | 211                    | 1.3            | 36.55 | S052            | TP90S4 | 5304                     | 5304                       |
| 47.9                    | 211                    | 2.4            | 36.57 | S062            | TH90S4 | 9889                     | 3956                       |
| 47.9                    | 211                    | 2.4            | 36.57 | S062            | TP90S4 | 9889                     | 3956                       |
| 47.9                    | 213                    | 2.7            | 24.00 | S082            | TH90L6 | 18000                    | 6038                       |
| 47.5                    | 214                    | 2.7            | 24.00 | S082            | TS90L6 | 18000                    | 6054                       |
| 47.3                    | 213                    | 1.3            | 36.55 | S052            | TS80D4 | 5315                     | 5315                       |
| 47.3                    | 213                    | 2.4            | 36.57 | S062            | TS80D4 | 9916                     | 3966                       |
| 47.1                    | 214                    | 1.3            | 36.55 | S052            | TS90S4 | 5320                     | 5320                       |
| 47.0                    | 214                    | 2.4            | 36.57 | S062            | TS90S4 | 9930                     | 3972                       |
| 45.7                    | 223                    | 1.6            | 25.14 | S062            | TH90L6 | 9982                     | 3993                       |
| 45.3                    | 225                    | 1.5            | 25.14 | S062            | TS90L6 | 10000                    | 4000                       |
| 44.4                    | 227                    | 2.2            | 39.38 | S062            | TH90S4 | 10000                    | 4000                       |
| 44.4                    | 227                    | 2.2            | 39.38 | S062            | TP90S4 | 10000                    | 4000                       |
| 43.9                    | 230                    | 1.3            | 39.90 | S052            | TH90S4 | 5384                     | 5384                       |
| 43.9                    | 230                    | 1.3            | 39.90 | S052            | TP90S4 | 5384                     | 5384                       |
| 43.9                    | 230                    | 2.2            | 39.38 | S062            | TS80D4 | 10000                    | 4000                       |
| 43.7                    | 231                    | 2.2            | 39.38 | S062            | TS90S4 | 10000                    | 4000                       |
| 43.4                    | 233                    | 1.3            | 39.90 | S052            | TS80D4 | 5394                     | 5394                       |
| 43.1                    | 234                    | 1.3            | 39.90 | S052            | TS90S4 | 5399                     | 5399                       |
| 42.1                    | 242                    | 2.7            | 27.29 | S082            | TH90L6 | 18000                    | 6280                       |
| 41.8                    | 244                    | 2.7            | 27.29 | S082            | TS90L6 | 18000                    | 6297                       |
| 41.6                    | 245                    | 1.4            | 27.66 | S062            | TH90L6 | 10000                    | 4000                       |
| 41.2                    | 247                    | 1.4            | 27.66 | S062            | TS90L6 | 10000                    | 4000                       |
| 41.1                    | 246                    | 1.2            | 42.63 | S052            | TH90S4 | 5440                     | 5440                       |
| 41.1                    | 246                    | 1.2            | 42.63 | S052            | TP90S4 | 5440                     | 5440                       |
| 40.6                    | 248                    | 1.2            | 42.63 | S052            | TS80D4 | 5450                     | 5450                       |
| 40.6                    | 248                    | 3.4            | 43.05 | S082            | TH90S4 | 18000                    | 6352                       |
| 40.6                    | 248                    | 3.4            | 43.05 | S082            | TP90S4 | 18000                    | 6352                       |
| 40.4                    | 250                    | 1.2            | 42.63 | S052            | TS90S4 | 5455                     | 5455                       |
| 40.2                    | 251                    | 3.4            | 43.05 | S082            | TS80D4 | 18000                    | 6375                       |
| 40.1                    | 251                    | 2.0            | 43.64 | S062            | TH90S4 | 10000                    | 4000                       |
| 40.1                    | 251                    | 2.0            | 43.64 | S062            | TP90S4 | 10000                    | 4000                       |
| 40.1                    | 254                    | 2.6            | 28.67 | S082            | TH90L6 | 18000                    | 6376                       |
| 39.9                    | 252                    | 3.4            | 43.05 | S082            | TS90S4 | 18000                    | 6386                       |
| 39.8                    | 256                    | 2.5            | 28.67 | S082            | TS90L6 | 18000                    | 6393                       |
| 39.6                    | 254                    | 2.0            | 43.64 | S062            | TS80D4 | 10000                    | 4000                       |
| 39.4                    | 256                    | 2.0            | 43.64 | S062            | TS90S4 | 10000                    | 4000                       |
| 38.3                    | 266                    | 1.4            | 30.00 | S062            | TH90L6 | 10000                    | 4000                       |
| 38.0                    | 266                    | 1.9            | 46.10 | S062            | TH90S4 | 10000                    | 4000                       |
| 38.0                    | 266                    | 1.9            | 46.10 | S062            | TP90S4 | 10000                    | 4000                       |
| 38.0                    | 268                    | 1.3            | 30.00 | S062            | TS90L6 | 10000                    | 4000                       |

## 5.2 S GEARED MOTORS (60Hz)

## 1.10 kW

| n2<br>[rpm] | M2<br>[Nm] | fs  | i     | Gear<br>reducer | Motor  | Fr2<br>D [N] | Fr2<br>C-L [N] |
|-------------|------------|-----|-------|-----------------|--------|--------------|----------------|
| 37.5        | 269        | 1.9 | 46.10 | S062            | TS80D4 | 10000        | 4000           |
| 37.3        | 270        | 1.9 | 46.10 | S062            | TS90S4 | 10000        | 4000           |
| 37.1        | 272        | 1.1 | 47.20 | S052            | TH90S4 | 5522         | 5522           |
| 37.1        | 272        | 1.1 | 47.20 | S052            | TP90S4 | 5522         | 5522           |
| 36.6        | 275        | 1.1 | 47.20 | S052            | TS80D4 | 5531         | 5531           |
| 36.4        | 277        | 1.1 | 47.20 | S052            | TS90S4 | 5535         | 5535           |
| 36.2        | 281        | 3.0 | 31.78 | S082            | TH90L6 | 18000        | 6578           |
| 35.9        | 284        | 3.0 | 31.78 | S082            | TS90L6 | 18000        | 6596           |
| 34.8        | 290        | 2.9 | 50.25 | S082            | TH90S4 | 18000        | 6658           |
| 34.8        | 290        | 2.9 | 50.25 | S082            | TP90S4 | 18000        | 6658           |
| 34.4        | 293        | 2.9 | 50.25 | S082            | TS80D4 | 18000        | 6681           |
| 34.2        | 295        | 2.9 | 50.25 | S082            | TS90S4 | 18000        | 6693           |
| 32.9        | 309        | 2.7 | 34.91 | S082            | TH90L6 | 18000        | 6768           |
| 32.7        | 308        | 1.7 | 53.53 | S062            | TH90S4 | 10000        | 4000           |
| 32.7        | 308        | 1.7 | 53.53 | S062            | TP90S4 | 10000        | 4000           |
| 32.7        | 312        | 2.7 | 34.91 | S082            | TS90L6 | 18000        | 6786           |
| 32.3        | 312        | 1.6 | 53.53 | S062            | TS80D4 | 10000        | 4000           |
| 32.2        | 313        | 2.7 | 54.27 | S082            | TH90S4 | 18000        | 6814           |
| 32.2        | 313        | 2.7 | 54.27 | S082            | TP90S4 | 18000        | 6814           |
| 32.1        | 314        | 1.6 | 53.53 | S062            | TS90S4 | 10000        | 4000           |
| 31.9        | 316        | 2.7 | 54.27 | S082            | TS80D4 | 18000        | 6838           |
| 31.8        | 317        | 1.6 | 55.00 | S062            | TH90S4 | 10000        | 4000           |
| 31.8        | 317        | 1.6 | 55.00 | S062            | TP90S4 | 10000        | 4000           |
| 31.7        | 318        | 2.7 | 54.27 | S082            | TS90S4 | 18000        | 6850           |
| 31.7        | 318        | 3.5 | 55.14 | S102            | TH90S4 | 22000        | 8460           |
| 31.7        | 318        | 3.5 | 55.14 | S102            | TP90S4 | 22000        | 8460           |
| 31.5        | 321        | 1.6 | 55.00 | S062            | TS80D4 | 10000        | 4000           |
| 31.4        | 324        | 1.6 | 36.57 | S062            | TH90L6 | 10000        | 4000           |
| 31.4        | 321        | 3.5 | 55.14 | S102            | TS80D4 | 22000        | 8490           |
| 31.3        | 322        | 1.6 | 55.00 | S062            | TS90S4 | 10000        | 4000           |
| 31.2        | 327        | 1.6 | 36.57 | S062            | TS90L6 | 10000        | 4000           |
| 31.2        | 323        | 3.4 | 55.14 | S102            | TS90S4 | 22000        | 8505           |
| 29.2        | 349        | 1.5 | 39.38 | S062            | TH90L6 | 10000        | 4000           |
| 29.0        | 352        | 1.4 | 39.38 | S062            | TS90L6 | 10000        | 4000           |
| 28.7        | 355        | 2.4 | 40.05 | S082            | TH90L6 | 18000        | 7053           |
| 28.5        | 358        | 2.4 | 40.05 | S082            | TS90L6 | 18000        | 7071           |
| 28.2        | 357        | 2.4 | 61.98 | S082            | TH90S4 | 18000        | 7091           |
| 28.2        | 357        | 2.4 | 61.98 | S082            | TP90S4 | 18000        | 7091           |
| 27.9        | 361        | 2.4 | 61.98 | S082            | TS80D4 | 18000        | 7115           |
| 27.8        | 363        | 2.3 | 61.98 | S082            | TS90S4 | 18000        | 7128           |
| 26.7        | 381        | 2.2 | 43.05 | S082            | TH90L6 | 18000        | 7200           |

## 5.2 S GEARED MOTORS (60Hz)

## 1.10 kW

| n2<br>[rpm] | M2<br>[Nm] | fs  | i     | Gear<br>reducer | Motor  | Fr2<br>D [N] | Fr2<br>C-L [N] |
|-------------|------------|-----|-------|-----------------|--------|--------------|----------------|
| 26.5        | 385        | 2.2 | 43.05 | S082            | TS90L6 | 18000        | 7200           |
| 26.4        | 386        | 1.3 | 43.64 | S062            | TH90L6 | 10000        | 4000           |
| 26.1        | 390        | 1.3 | 43.64 | S062            | TS90L6 | 10000        | 4000           |
| 26.1        | 390        | 2.8 | 44.00 | S102            | TH90L6 | 22000        | 8982           |
| 25.9        | 389        | 1.3 | 67.47 | S062            | TH90S4 | 10000        | 4000           |
| 25.9        | 389        | 1.3 | 67.47 | S062            | TP90S4 | 10000        | 4000           |
| 25.9        | 381        | 2.2 | 67.52 | S083            | TH90S4 | 18000        | 7200           |
| 25.9        | 381        | 2.2 | 67.52 | S083            | TP90S4 | 18000        | 7200           |
| 25.9        | 393        | 2.8 | 44.00 | S102            | TS90L6 | 22000        | 9000           |
| 25.8        | 391        | 3.5 | 67.84 | S102            | TH90S4 | 22000        | 9000           |
| 25.8        | 391        | 3.5 | 67.84 | S102            | TP90S4 | 22000        | 9000           |
| 25.6        | 393        | 1.3 | 67.47 | S062            | TS80D4 | 10000        | 4000           |
| 25.6        | 385        | 2.2 | 67.52 | S083            | TS80D4 | 18000        | 7200           |
| 25.5        | 396        | 1.3 | 67.47 | S062            | TS90S4 | 10000        | 4000           |
| 25.5        | 388        | 2.2 | 67.52 | S083            | TS90S4 | 18000        | 7200           |
| 25.5        | 395        | 3.5 | 67.84 | S102            | TS80D4 | 22000        | 9000           |
| 25.4        | 398        | 3.4 | 67.84 | S102            | TS90S4 | 22000        | 9000           |
| 24.9        | 408        | 1.2 | 46.10 | S062            | TH90L6 | 10000        | 4000           |
| 24.7        | 412        | 1.2 | 46.10 | S062            | TS90L6 | 10000        | 4000           |
| 24.4        | 417        | 3.3 | 47.13 | S102            | TH90L6 | 22000        | 9000           |
| 24.2        | 421        | 3.2 | 47.13 | S102            | TS90L6 | 22000        | 9000           |
| 23.6        | 419        | 2.0 | 74.18 | S083            | TH90S4 | 18000        | 7200           |
| 23.6        | 419        | 2.0 | 74.18 | S083            | TP90S4 | 18000        | 7200           |
| 23.6        | 419        | 3.3 | 74.18 | S103            | TH90S4 | 22000        | 9000           |
| 23.6        | 419        | 3.3 | 74.18 | S103            | TP90S4 | 22000        | 9000           |
| 23.3        | 423        | 2.0 | 74.18 | S083            | TS80D4 | 18000        | 7200           |
| 23.3        | 423        | 3.2 | 74.18 | S103            | TS80D4 | 22000        | 9000           |
| 23.2        | 426        | 2.0 | 74.18 | S083            | TS90S4 | 18000        | 7200           |
| 23.2        | 426        | 3.2 | 74.18 | S103            | TS90S4 | 22000        | 9000           |
| 22.9        | 445        | 1.9 | 50.25 | S082            | TH90L6 | 18000        | 7200           |
| 22.7        | 449        | 1.9 | 50.25 | S082            | TS90L6 | 18000        | 7200           |
| 21.5        | 474        | 1.1 | 53.53 | S062            | TH90L6 | 10000        | 4000           |
| 21.5        | 459        | 1.1 | 81.43 | S063            | TH90S4 | 10000        | 4000           |
| 21.5        | 459        | 1.1 | 81.43 | S063            | TP90S4 | 10000        | 4000           |
| 21.5        | 459        | 3.0 | 81.39 | S103            | TH90S4 | 22000        | 9000           |
| 21.5        | 459        | 3.0 | 81.39 | S103            | TP90S4 | 22000        | 9000           |
| 21.3        | 478        | 1.1 | 53.53 | S062            | TS90L6 | 10000        | 4000           |
| 21.3        | 465        | 2.9 | 81.39 | S103            | TS80D4 | 22000        | 9000           |
| 21.2        | 465        | 1.1 | 81.43 | S063            | TS80D4 | 10000        | 4000           |
| 21.2        | 481        | 1.8 | 54.27 | S082            | TH90L6 | 18000        | 7200           |
| 21.1        | 468        | 1.1 | 81.43 | S063            | TS90S4 | 10000        | 4000           |

## 5.2 S GEARED MOTORS (60Hz)

## 1.10 kW

| n2<br>[rpm] | M2<br>[Nm] | fs  | i      | Gear<br>reducer | Motor  | Fr2<br>D [N] | Fr2<br>C-L [N] |
|-------------|------------|-----|--------|-----------------|--------|--------------|----------------|
| 21.1        | 467        | 2.9 | 81.39  | S103            | TS90S4 | 22000        | 9000           |
| 21.0        | 485        | 1.8 | 54.27  | S082            | TS90L6 | 18000        | 7200           |
| 20.9        | 487        | 1.0 | 55.00  | S062            | TH90L6 | 10000        | 4000           |
| 20.9        | 488        | 2.3 | 55.14  | S102            | TH90L6 | 22000        | 9000           |
| 20.7        | 491        | 1.0 | 55.00  | S062            | TS90L6 | 10000        | 4000           |
| 20.7        | 493        | 2.3 | 55.14  | S102            | TS90L6 | 22000        | 9000           |
| 19.4        | 526        | 2.6 | 59.40  | S102            | TH90L6 | 22000        | 9000           |
| 19.2        | 531        | 2.6 | 59.40  | S102            | TS90L6 | 22000        | 9000           |
| 19.1        | 516        | 1.6 | 91.49  | S083            | TH90S4 | 18000        | 7200           |
| 19.1        | 516        | 1.6 | 91.49  | S083            | TP90S4 | 18000        | 7200           |
| 18.9        | 522        | 1.6 | 91.49  | S083            | TS80D4 | 18000        | 7200           |
| 18.8        | 525        | 1.6 | 91.49  | S083            | TS90S4 | 18000        | 7200           |
| 18.6        | 549        | 1.5 | 61.98  | S082            | TH90L6 | 18000        | 7200           |
| 18.4        | 554        | 1.5 | 61.98  | S082            | TS90L6 | 18000        | 7200           |
| 17.5        | 565        | 2.4 | 100.15 | S103            | TH90S4 | 22000        | 9000           |
| 17.5        | 565        | 2.4 | 100.15 | S103            | TP90S4 | 22000        | 9000           |
| 17.3        | 572        | 2.4 | 100.15 | S103            | TS80D4 | 22000        | 9000           |
| 17.2        | 575        | 2.4 | 100.15 | S103            | TS90S4 | 22000        | 9000           |
| 17.0        | 586        | 1.5 | 67.52  | S083            | TH90L6 | 18000        | 7200           |
| 17.0        | 601        | 2.3 | 67.84  | S102            | TH90L6 | 22000        | 9000           |
| 16.9        | 591        | 1.4 | 67.52  | S083            | TS90L6 | 18000        | 7200           |
| 16.8        | 606        | 2.3 | 67.84  | S102            | TS90L6 | 22000        | 9000           |
| 15.8        | 624        | 2.2 | 110.55 | S103            | TH90S4 | 22000        | 9000           |
| 15.8        | 624        | 2.2 | 110.55 | S103            | TP90S4 | 22000        | 9000           |
| 15.6        | 631        | 2.2 | 110.55 | S103            | TS80D4 | 22000        | 9000           |
| 15.6        | 635        | 2.2 | 110.55 | S103            | TS90S4 | 22000        | 9000           |
| 15.5        | 643        | 1.3 | 74.18  | S083            | TH90L6 | 18000        | 7200           |
| 15.5        | 643        | 2.1 | 74.18  | S103            | TH90L6 | 22000        | 9000           |
| 15.4        | 649        | 1.3 | 74.18  | S083            | TS90L6 | 18000        | 7200           |
| 15.4        | 649        | 2.1 | 74.18  | S103            | TS90L6 | 22000        | 9000           |
| 14.9        | 661        | 1.3 | 117.17 | S083            | TH90S4 | 18000        | 7200           |
| 14.9        | 661        | 1.3 | 117.17 | S083            | TP90S4 | 18000        | 7200           |
| 14.8        | 669        | 1.3 | 117.17 | S083            | TS80D4 | 18000        | 7200           |
| 14.7        | 673        | 1.3 | 117.17 | S083            | TS90S4 | 18000        | 7200           |
| 14.1        | 706        | 1.9 | 81.39  | S103            | TH90L6 | 22000        | 9000           |
| 14.0        | 712        | 1.9 | 81.39  | S103            | TS90L6 | 22000        | 9000           |
| 13.9        | 708        | 3.6 | 123.33 | S123            | TS90S4 | 30000        | 11200          |
| 13.6        | 726        | 1.2 | 128.73 | S083            | TH90S4 | 18000        | 7200           |
| 13.6        | 726        | 1.2 | 128.73 | S083            | TP90S4 | 18000        | 7200           |
| 13.6        | 726        | 1.9 | 128.73 | S103            | TH90S4 | 22000        | 9000           |
| 13.6        | 726        | 1.9 | 128.73 | S103            | TP90S4 | 22000        | 9000           |

## 5.2 S GEARED MOTORS (60Hz)

## 1.10 kW

| n <sub>2</sub><br>[rpm] | M <sub>2</sub><br>[Nm] | f <sub>s</sub> | i      | Gear<br>reducer | Motor  | Fr <sub>2</sub><br>D [N] | Fr <sub>2</sub><br>C-L [N] |
|-------------------------|------------------------|----------------|--------|-----------------|--------|--------------------------|----------------------------|
| 13.4                    | 735                    | 1.2            | 128.73 | S083            | TS80D4 | 18000                    | 7200                       |
| 13.4                    | 739                    | 1.2            | 128.73 | S083            | TS90S4 | 18000                    | 7200                       |
| 13.4                    | 739                    | 1.8            | 128.73 | S103            | TS90S4 | 22000                    | 9000                       |
| 13.4                    | 735                    | 1.9            | 128.73 | S103            | TS80D4 | 22000                    | 9000                       |
| 13.1                    | 755                    | 3.4            | 133.78 | S123            | TH90S4 | 30000                    | 11200                      |
| 13.1                    | 755                    | 3.4            | 133.78 | S123            | TP90S4 | 30000                    | 11200                      |
| 12.9                    | 764                    | 3.4            | 133.78 | S123            | TS80D4 | 30000                    | 11200                      |
| 12.9                    | 768                    | 3.3            | 133.78 | S123            | TS90S4 | 30000                    | 11200                      |
| 12.6                    | 793                    | 1.1            | 91.49  | S083            | TH90L6 | 18000                    | 7200                       |
| 12.5                    | 800                    | 1.1            | 91.49  | S083            | TS90L6 | 18000                    | 7200                       |
| 12.4                    | 797                    | 1.7            | 141.24 | S103            | TH90S4 | 22000                    | 9000                       |
| 12.4                    | 797                    | 1.7            | 141.24 | S103            | TP90S4 | 22000                    | 9000                       |
| 12.2                    | 806                    | 1.7            | 141.24 | S103            | TS80D4 | 22000                    | 9000                       |
| 12.2                    | 811                    | 1.7            | 141.24 | S103            | TS90S4 | 22000                    | 9000                       |
| 11.6                    | 854                    | 3.0            | 151.43 | S123            | TH90S4 | 30000                    | 11200                      |
| 11.6                    | 854                    | 3.0            | 151.43 | S123            | TP90S4 | 30000                    | 11200                      |
| 11.5                    | 869                    | 1.6            | 100.15 | S103            | TH90L6 | 22000                    | 9000                       |
| 11.4                    | 876                    | 1.6            | 100.15 | S103            | TS90L6 | 22000                    | 9000                       |
| 11.4                    | 869                    | 2.9            | 151.43 | S123            | TS90S4 | 30000                    | 11200                      |
| 11.4                    | 864                    | 3.0            | 151.43 | S123            | TS80D4 | 30000                    | 11200                      |
| 10.4                    | 959                    | 1.4            | 110.55 | S103            | TH90L6 | 22000                    | 9000                       |
| 10.3                    | 967                    | 1.4            | 110.55 | S103            | TS90L6 | 22000                    | 9000                       |
| 10.2                    | 976                    | 2.6            | 112.52 | S123            | TH90L6 | 30000                    | 11200                      |
| 10.1                    | 981                    | 1.4            | 173.78 | S103            | TH90S4 | 22000                    | 9000                       |
| 10.1                    | 981                    | 1.4            | 173.78 | S103            | TP90S4 | 22000                    | 9000                       |
| 10.1                    | 984                    | 2.6            | 112.52 | S123            | TS90L6 | 30000                    | 11200                      |
| 10.0                    | 992                    | 1.4            | 173.78 | S103            | TS80D4 | 22000                    | 9000                       |
| 9.9                     | 998                    | 1.4            | 173.78 | S103            | TS90S4 | 22000                    | 9000                       |
| 9.9                     | 1002                   | 2.6            | 177.53 | S123            | TH90S4 | 30000                    | 11200                      |
| 9.9                     | 1002                   | 2.6            | 177.53 | S123            | TP90S4 | 30000                    | 11200                      |
| 9.7                     | 1013                   | 2.5            | 177.53 | S123            | TS80D4 | 30000                    | 11200                      |
| 9.7                     | 1019                   | 2.5            | 177.53 | S123            | TS90S4 | 30000                    | 11200                      |
| 9.3                     | 1070                   | 2.4            | 123.33 | S123            | TH90L6 | 30000                    | 11200                      |
| 9.2                     | 1079                   | 2.4            | 123.33 | S123            | TS90L6 | 30000                    | 11200                      |
| 9.0                     | 1098                   | 2.3            | 194.59 | S123            | TH90S4 | 30000                    | 11200                      |
| 9.0                     | 1098                   | 2.3            | 194.59 | S123            | TP90S4 | 30000                    | 11200                      |
| 8.9                     | 1116                   | 1.2            | 128.73 | S103            | TH90L6 | 22000                    | 9000                       |
| 8.9                     | 1126                   | 1.2            | 128.73 | S103            | TS90L6 | 22000                    | 9000                       |
| 8.9                     | 1111                   | 2.3            | 194.59 | S123            | TS80D4 | 30000                    | 11200                      |
| 8.8                     | 1117                   | 2.3            | 194.59 | S123            | TS90S4 | 30000                    | 11200                      |
| 8.6                     | 1146                   | 1.2            | 203.11 | S103            | TH90S4 | 22000                    | 9000                       |



## 5.2 S GEARED MOTORS (60Hz)

## 1.10 kW

| n <sub>2</sub><br>[rpm] | M <sub>2</sub><br>[Nm] | f <sub>s</sub> | i      | Gear<br>reducer | Motor  | Fr <sub>2</sub><br>D [N] | Fr <sub>2</sub><br>C-L [N] |
|-------------------------|------------------------|----------------|--------|-----------------|--------|--------------------------|----------------------------|
| 8.6                     | 1146                   | 1.2            | 203.11 | S103            | TP90S4 | 22000                    | 9000                       |
| 8.6                     | 1160                   | 2.2            | 133.78 | S123            | TH90L6 | 30000                    | 11200                      |
| 8.5                     | 1159                   | 1.2            | 203.11 | S103            | TS80D4 | 22000                    | 9000                       |
| 8.5                     | 1166                   | 1.2            | 203.11 | S103            | TS90S4 | 22000                    | 9000                       |
| 8.5                     | 1170                   | 2.2            | 133.78 | S123            | TS90L6 | 30000                    | 11200                      |
| 8.1                     | 1225                   | 1.1            | 141.24 | S103            | TH90L6 | 22000                    | 9000                       |
| 8.1                     | 1236                   | 1.1            | 141.24 | S103            | TS90L6 | 22000                    | 9000                       |
| 7.9                     | 1257                   | 1.1            | 222.85 | S103            | TH90S4 | 22000                    | 9000                       |
| 7.9                     | 1257                   | 1.1            | 222.85 | S103            | TP90S4 | 22000                    | 9000                       |
| 7.8                     | 1272                   | 1.1            | 222.85 | S103            | TS80D4 | 22000                    | 9000                       |
| 7.7                     | 1279                   | 1.1            | 222.85 | S103            | TS90S4 | 22000                    | 9000                       |
| 7.6                     | 1313                   | 1.9            | 151.43 | S123            | TH90L6 | 30000                    | 11200                      |
| 7.5                     | 1325                   | 1.9            | 151.43 | S123            | TS90L6 | 30000                    | 11200                      |
| 7.3                     | 1348                   | 1.9            | 238.93 | S123            | TH90S4 | 30000                    | 11200                      |
| 7.3                     | 1348                   | 1.9            | 238.93 | S123            | TP90S4 | 30000                    | 11200                      |
| 7.2                     | 1364                   | 1.9            | 238.93 | S123            | TS80D4 | 30000                    | 11200                      |
| 7.2                     | 1372                   | 1.9            | 238.93 | S123            | TS90S4 | 30000                    | 11200                      |
| 6.5                     | 1540                   | 1.7            | 177.53 | S123            | TH90L6 | 30000                    | 11200                      |
| 6.4                     | 1553                   | 1.7            | 177.53 | S123            | TS90L6 | 30000                    | 11200                      |
| 6.2                     | 1599                   | 1.6            | 280.10 | S123            | TS80D4 | 30000                    | 11200                      |
| 6.2                     | 1581                   | 1.6            | 280.10 | S123            | TH90S4 | 30000                    | 11200                      |
| 6.2                     | 1581                   | 1.6            | 280.10 | S123            | TP90S4 | 30000                    | 11200                      |
| 6.1                     | 1608                   | 1.6            | 280.10 | S123            | TS90S4 | 30000                    | 11200                      |
| 5.9                     | 1688                   | 1.5            | 194.59 | S123            | TH90L6 | 30000                    | 11200                      |
| 5.9                     | 1702                   | 1.5            | 194.59 | S123            | TS90L6 | 30000                    | 11200                      |
| 5.8                     | 1699                   | 1.5            | 301.16 | S123            | TH90S4 | 30000                    | 11200                      |
| 5.8                     | 1699                   | 1.5            | 301.16 | S123            | TP90S4 | 30000                    | 11200                      |
| 5.7                     | 1719                   | 1.5            | 301.16 | S123            | TS80D4 | 30000                    | 11200                      |
| 5.7                     | 1729                   | 1.5            | 301.16 | S123            | TS90S4 | 30000                    | 11200                      |
| 5.1                     | 1941                   | 1.3            | 343.93 | S123            | TP90S4 | 30000                    | 11200                      |
| 5.1                     | 1941                   | 1.3            | 343.93 | S123            | TH90S4 | 30000                    | 11200                      |
| 5.0                     | 1975                   | 1.3            | 343.93 | S123            | TS90S4 | 30000                    | 11200                      |
| 5.0                     | 1963                   | 1.3            | 343.93 | S123            | TS80D4 | 30000                    | 11200                      |
| 4.8                     | 2072                   | 1.2            | 238.93 | S123            | TH90L6 | 30000                    | 11200                      |
| 4.8                     | 2090                   | 1.2            | 238.93 | S123            | TS90L6 | 30000                    | 11200                      |
| 4.1                     | 2429                   | 1.1            | 280.10 | S123            | TH90L6 | 30000                    | 11200                      |
| 4.1                     | 2450                   | 1.0            | 280.10 | S123            | TS90L6 | 30000                    | 11200                      |

## 5.2 S GEARED MOTORS (60Hz)

## 1.50 kW

| n2<br>[rpm] | M2<br>[Nm] | fs  | i     | Gear<br>reducer | Motor    | Fr2<br>D [N] | Fr2<br>C-L [N] |
|-------------|------------|-----|-------|-----------------|----------|--------------|----------------|
| 202.9       | 68         | 1.8 | 8.63  | S052            | TP90L4   | 3659         | 3659           |
| 201.7       | 68         | 1.8 | 8.63  | S052            | TH90L4   | 3665         | 3665           |
| 199.4       | 69         | 1.8 | 8.63  | S052            | TS90LA4  | 3676         | 3676           |
| 157.1       | 88         | 1.6 | 11.14 | S052            | TP90L4   | 3902         | 3902           |
| 156.2       | 88         | 1.6 | 11.14 | S052            | TH90L4   | 3907         | 3907           |
| 154.4       | 89         | 1.5 | 11.14 | S052            | TS90LA4  | 3918         | 3918           |
| 149.5       | 92         | 3.1 | 11.71 | S062            | TP90L4   | 7125         | 2850           |
| 148.6       | 93         | 3.0 | 11.71 | S062            | TH90L4   | 7136         | 2855           |
| 146.9       | 94         | 3.0 | 11.71 | S062            | TS90LA4  | 7159         | 2864           |
| 143.8       | 97         | 2.5 | 8.00  | S062            | TH100L6  | 7195         | 2878           |
| 143.8       | 97         | 2.5 | 8.00  | S062            | TS100LA6 | 7195         | 2878           |
| 133.3       | 104        | 1.2 | 8.63  | S052            | TH100L6  | 4050         | 4050           |
| 133.3       | 104        | 1.2 | 8.63  | S052            | TS100LA6 | 4050         | 4050           |
| 131.0       | 105        | 2.9 | 13.36 | S062            | TP90L4   | 7385         | 2954           |
| 130.3       | 106        | 2.9 | 13.36 | S062            | TH90L4   | 7397         | 2959           |
| 128.8       | 107        | 2.8 | 13.36 | S062            | TS90LA4  | 7420         | 2968           |
| 128.1       | 107        | 1.4 | 13.66 | S052            | TP90L4   | 4094         | 4094           |
| 127.4       | 108        | 1.4 | 13.66 | S052            | TH90L4   | 4099         | 4099           |
| 125.9       | 109        | 1.4 | 13.66 | S052            | TS90LA4  | 4110         | 4110           |
| 120.5       | 115        | 2.3 | 9.55  | S062            | TH100L6  | 7546         | 3018           |
| 120.5       | 115        | 2.3 | 9.55  | S062            | TS100LA6 | 7546         | 3018           |
| 114.6       | 120        | 1.4 | 15.27 | S052            | TP90L4   | 4197         | 4197           |
| 113.9       | 121        | 1.4 | 15.27 | S052            | TH90L4   | 4202         | 4202           |
| 112.6       | 122        | 1.4 | 15.27 | S052            | TS90LA4  | 4213         | 4213           |
| 109.8       | 125        | 2.6 | 15.94 | S062            | TP90L4   | 7740         | 3096           |
| 109.2       | 126        | 2.6 | 15.94 | S062            | TH90L4   | 7752         | 3101           |
| 107.9       | 127        | 2.5 | 15.94 | S062            | TS90LA4  | 7775         | 3110           |
| 107.5       | 128        | 1.4 | 16.29 | S052            | TP90L4   | 4256         | 4256           |
| 106.8       | 129        | 1.4 | 16.29 | S052            | TH90L4   | 4261         | 4261           |
| 105.6       | 130        | 1.3 | 16.29 | S052            | TS90LA4  | 4271         | 4271           |
| 103.2       | 135        | 1.0 | 11.14 | S052            | TH100L6  | 4284         | 4284           |
| 103.2       | 135        | 1.0 | 11.14 | S052            | TS100LA6 | 4284         | 4284           |
| 98.2        | 141        | 2.0 | 11.71 | S062            | TH100L6  | 7957         | 3183           |
| 98.2        | 141        | 2.0 | 11.71 | S062            | TS100LA6 | 7957         | 3183           |
| 93.9        | 146        | 1.2 | 18.63 | S052            | TP90L4   | 4376         | 4376           |
| 93.4        | 147        | 1.2 | 18.63 | S052            | TH90L4   | 4381         | 4381           |
| 92.3        | 149        | 1.2 | 18.63 | S052            | TS90LA4  | 4391         | 4391           |
| 89.5        | 154        | 2.2 | 19.55 | S062            | TP90L4   | 8155         | 3262           |
| 89.0        | 155        | 2.1 | 19.55 | S062            | TH90L4   | 8167         | 3267           |
| 88.0        | 156        | 2.1 | 19.55 | S062            | TS90LA4  | 8190         | 3276           |
| 86.1        | 161        | 1.9 | 13.36 | S062            | TH100L6  | 8224         | 3290           |

## 5.2 S GEARED MOTORS (60Hz)

## 1.50 kW

| n <sub>2</sub><br>[rpm] | M <sub>2</sub><br>[Nm] | f <sub>s</sub> | i     | Gear<br>reducer | Motor    | Fr <sub>2</sub><br>D [N] | Fr <sub>2</sub><br>C-L [N] |
|-------------------------|------------------------|----------------|-------|-----------------|----------|--------------------------|----------------------------|
| 86.1                    | 161                    | 1.9            | 13.36 | S062            | TS100LA6 | 8224                     | 3290                       |
| 83.2                    | 165                    | 1.1            | 21.04 | S052            | TP90L4   | 4479                     | 4479                       |
| 82.7                    | 166                    | 1.1            | 21.04 | S052            | TH90L4   | 4484                     | 4484                       |
| 81.8                    | 168                    | 1.1            | 21.04 | S052            | TS90LA4  | 4494                     | 4494                       |
| 75.5                    | 182                    | 1.9            | 23.18 | S062            | TP90L4   | 8502                     | 3401                       |
| 75.1                    | 183                    | 1.8            | 23.18 | S062            | TH90L4   | 8514                     | 3405                       |
| 74.2                    | 185                    | 1.8            | 23.18 | S062            | TS90LA4  | 8537                     | 3415                       |
| 72.9                    | 189                    | 3.0            | 24.00 | S082            | TP90L4   | 18000                    | 5253                       |
| 72.5                    | 190                    | 3.0            | 24.00 | S082            | TH90L4   | 18000                    | 5262                       |
| 72.2                    | 192                    | 1.7            | 15.94 | S062            | TH100L6  | 8582                     | 3433                       |
| 72.2                    | 192                    | 1.7            | 15.94 | S062            | TS100LA6 | 8582                     | 3433                       |
| 71.7                    | 192                    | 3.0            | 24.00 | S082            | TS90LA4  | 18000                    | 5281                       |
| 69.6                    | 198                    | 1.8            | 25.14 | S062            | TP90L4   | 8667                     | 3467                       |
| 69.2                    | 199                    | 1.7            | 25.14 | S062            | TH90L4   | 8679                     | 3471                       |
| 68.4                    | 201                    | 1.7            | 25.14 | S062            | TS90LA4  | 8702                     | 3481                       |
| 67.9                    | 203                    | 1.0            | 25.79 | S052            | TP90L4   | 4641                     | 4641                       |
| 67.5                    | 204                    | 1.0            | 25.79 | S052            | TH90L4   | 4645                     | 4645                       |
| 66.7                    | 206                    | 1.0            | 25.79 | S052            | TS90LA4  | 4653                     | 4653                       |
| 66.5                    | 209                    | 2.7            | 17.29 | S082            | TH100L6  | 18000                    | 5402                       |
| 66.5                    | 209                    | 2.7            | 17.29 | S082            | TS100LA6 | 18000                    | 5402                       |
| 64.1                    | 214                    | 3.0            | 27.29 | S082            | TP90L4   | 18000                    | 5464                       |
| 63.8                    | 216                    | 3.0            | 27.29 | S082            | TH90L4   | 18000                    | 5473                       |
| 63.3                    | 217                    | 1.6            | 27.66 | S062            | TP90L4   | 8859                     | 3543                       |
| 63.0                    | 218                    | 3.0            | 27.29 | S082            | TS90LA4  | 18000                    | 5493                       |
| 62.9                    | 219                    | 1.6            | 27.66 | S062            | TH90L4   | 8870                     | 3548                       |
| 62.2                    | 221                    | 1.6            | 27.66 | S062            | TS90LA4  | 8893                     | 3557                       |
| 61.0                    | 225                    | 2.9            | 28.67 | S082            | TP90L4   | 18000                    | 5547                       |
| 60.7                    | 227                    | 2.9            | 28.67 | S082            | TH90L4   | 18000                    | 5557                       |
| 60.0                    | 229                    | 2.8            | 28.67 | S082            | TS90LA4  | 18000                    | 5576                       |
| 58.8                    | 236                    | 1.4            | 19.55 | S062            | TH100L6  | 8989                     | 3596                       |
| 58.8                    | 236                    | 1.4            | 19.55 | S062            | TS100LA6 | 8989                     | 3596                       |
| 58.3                    | 236                    | 1.5            | 30.00 | S062            | TP90L4   | 9020                     | 3608                       |
| 58.0                    | 237                    | 1.5            | 30.00 | S062            | TH90L4   | 9032                     | 3613                       |
| 57.3                    | 240                    | 1.5            | 30.00 | S062            | TS90LA4  | 9054                     | 3622                       |
| 57.1                    | 243                    | 2.3            | 20.14 | S082            | TH100L6  | 18000                    | 5658                       |
| 57.1                    | 243                    | 2.3            | 20.14 | S082            | TS100LA6 | 18000                    | 5658                       |
| 55.1                    | 250                    | 3.4            | 31.78 | S082            | TP90L4   | 18000                    | 5723                       |
| 54.8                    | 251                    | 3.4            | 31.78 | S082            | TH90L4   | 18000                    | 5733                       |
| 54.1                    | 254                    | 3.3            | 31.78 | S082            | TS90LA4  | 18000                    | 5753                       |
| 53.8                    | 256                    | 1.0            | 32.55 | S052            | TP90L4   | 4797                     | 4797                       |
| 52.0                    | 267                    | 2.2            | 22.13 | S082            | TH100L6  | 18000                    | 5821                       |

## 5.2 S GEARED MOTORS (60Hz)

## 1.50 kW

| n2<br>[rpm] | M2<br>[Nm] | fs  | i     | Gear<br>reducer | Motor    | Fr2<br>D [N] | Fr2<br>C-L [N] |
|-------------|------------|-----|-------|-----------------|----------|--------------|----------------|
| 52.0        | 267        | 2.2 | 22.13 | S082            | TS100LA6 | 18000        | 5821           |
| 50.1        | 274        | 3.1 | 34.91 | S082            | TP90L4   | 18000        | 5887           |
| 49.8        | 276        | 3.1 | 34.91 | S082            | TH90L4   | 18000        | 5898           |
| 49.6        | 280        | 1.2 | 23.18 | S062            | TH100L6  | 9317         | 3727           |
| 49.6        | 280        | 1.2 | 23.18 | S062            | TS100LA6 | 9317         | 3727           |
| 49.3        | 279        | 3.0 | 34.91 | S082            | TS90LA4  | 18000        | 5918           |
| 47.9        | 287        | 1.8 | 36.57 | S062            | TP90L4   | 9403         | 3761           |
| 47.9        | 290        | 2.0 | 24.00 | S082            | TH100L6  | 18000        | 5965           |
| 47.9        | 290        | 2.0 | 24.00 | S082            | TS100LA6 | 18000        | 5965           |
| 47.6        | 289        | 1.8 | 36.57 | S062            | TH90L4   | 9414         | 3766           |
| 47.0        | 292        | 1.7 | 36.57 | S062            | TS90LA4  | 9436         | 3774           |
| 45.7        | 304        | 1.1 | 25.14 | S062            | TH100L6  | 9469         | 3787           |
| 45.7        | 304        | 1.1 | 25.14 | S062            | TS100LA6 | 9469         | 3787           |
| 44.4        | 309        | 1.6 | 39.38 | S062            | TP90L4   | 9541         | 3816           |
| 44.2        | 311        | 1.6 | 39.38 | S062            | TH90L4   | 9551         | 3820           |
| 43.7        | 315        | 1.6 | 39.38 | S062            | TS90LA4  | 9572         | 3829           |
| 43.7        | 315        | 2.7 | 40.05 | S082            | TP90L4   | 18000        | 6135           |
| 43.4        | 317        | 2.7 | 40.05 | S082            | TH90L4   | 18000        | 6145           |
| 42.9        | 320        | 2.7 | 40.05 | S082            | TS90LA4  | 18000        | 6166           |
| 42.1        | 330        | 2.0 | 27.29 | S082            | TH100L6  | 18000        | 6198           |
| 42.1        | 330        | 2.0 | 27.29 | S082            | TS100LA6 | 18000        | 6198           |
| 41.6        | 334        | 1.0 | 27.66 | S062            | TH100L6  | 9640         | 3856           |
| 41.6        | 334        | 1.0 | 27.66 | S062            | TS100LA6 | 9640         | 3856           |
| 40.6        | 338        | 2.5 | 43.05 | S082            | TP90L4   | 18000        | 6268           |
| 40.4        | 340        | 2.5 | 43.05 | S082            | TH90L4   | 18000        | 6278           |
| 40.1        | 343        | 1.5 | 43.64 | S062            | TP90L4   | 9725         | 3890           |
| 40.1        | 346        | 1.9 | 28.67 | S082            | TH100L6  | 18000        | 6289           |
| 40.1        | 346        | 1.9 | 28.67 | S082            | TS100LA6 | 18000        | 6289           |
| 39.9        | 345        | 1.5 | 43.64 | S062            | TH90L4   | 9735         | 3894           |
| 39.9        | 344        | 2.5 | 43.05 | S082            | TS90LA4  | 18000        | 6300           |
| 39.8        | 346        | 3.2 | 44.00 | S102            | TP90L4   | 22000        | 7815           |
| 39.5        | 348        | 3.2 | 44.00 | S102            | TH90L4   | 22000        | 7829           |
| 39.4        | 349        | 1.5 | 43.64 | S062            | TS90LA4  | 9755         | 3902           |
| 39.1        | 352        | 3.2 | 44.00 | S102            | TS90LA4  | 22000        | 7857           |
| 38.0        | 362        | 1.4 | 46.10 | S062            | TP90L4   | 9820         | 3928           |
| 37.7        | 364        | 1.4 | 46.10 | S062            | TH90L4   | 9830         | 3932           |
| 37.3        | 369        | 1.4 | 46.10 | S062            | TS90LA4  | 9849         | 3940           |
| 36.5        | 377        | 3.6 | 47.13 | S102            | TS90LA4  | 22000        | 8024           |
| 36.2        | 384        | 2.2 | 31.78 | S082            | TH100L6  | 18000        | 6482           |
| 36.2        | 384        | 2.2 | 31.78 | S082            | TS100LA6 | 18000        | 6482           |
| 35.5        | 391        | 3.3 | 32.40 | S102            | TH100L6  | 22000        | 8090           |

## 5.2 S GEARED MOTORS (60Hz)

## 1.50 kW

| n <sub>2</sub><br>[rpm] | M <sub>2</sub><br>[Nm] | f <sub>s</sub> | i     | Gear<br>reducer | Motor    | Fr <sub>2</sub><br>D [N] | Fr <sub>2</sub><br>C-L [N] |
|-------------------------|------------------------|----------------|-------|-----------------|----------|--------------------------|----------------------------|
| 35.5                    | 391                    | 3.3            | 32.40 | S102            | TS100LA6 | 22000                    | 8090                       |
| 34.8                    | 395                    | 2.2            | 50.25 | S082            | TP90L4   | 18000                    | 6559                       |
| 34.6                    | 397                    | 2.1            | 50.25 | S082            | TH90L4   | 18000                    | 6570                       |
| 34.2                    | 402                    | 2.1            | 50.25 | S082            | TS90LA4  | 18000                    | 6592                       |
| 32.9                    | 422                    | 2.0            | 34.91 | S082            | TH100L6  | 18000                    | 6662                       |
| 32.9                    | 422                    | 2.0            | 34.91 | S082            | TS100LA6 | 18000                    | 6662                       |
| 32.9                    | 422                    | 2.8            | 34.91 | S102            | TH100L6  | 22000                    | 8276                       |
| 32.9                    | 422                    | 2.8            | 34.91 | S102            | TS100LA6 | 22000                    | 8276                       |
| 32.7                    | 421                    | 1.2            | 53.53 | S062            | TP90L4   | 10000                    | 4000                       |
| 32.5                    | 423                    | 1.2            | 53.53 | S062            | TH90L4   | 10000                    | 4000                       |
| 32.2                    | 426                    | 2.0            | 54.27 | S082            | TP90L4   | 18000                    | 6708                       |
| 32.1                    | 428                    | 1.2            | 53.53 | S062            | TS90LA4  | 10000                    | 4000                       |
| 32.1                    | 429                    | 2.0            | 54.27 | S082            | TH90L4   | 18000                    | 6719                       |
| 31.8                    | 432                    | 1.2            | 55.00 | S062            | TP90L4   | 10000                    | 4000                       |
| 31.7                    | 434                    | 2.0            | 54.27 | S082            | TS90LA4  | 18000                    | 6741                       |
| 31.7                    | 433                    | 2.6            | 55.14 | S102            | TP90L4   | 22000                    | 8374                       |
| 31.6                    | 435                    | 1.2            | 55.00 | S062            | TH90L4   | 10000                    | 4000                       |
| 31.6                    | 436                    | 2.5            | 55.14 | S102            | TH90L4   | 22000                    | 8388                       |
| 31.4                    | 442                    | 1.2            | 36.57 | S062            | TH100L6  | 10000                    | 4000                       |
| 31.4                    | 442                    | 1.2            | 36.57 | S062            | TS100LA6 | 10000                    | 4000                       |
| 31.3                    | 440                    | 1.2            | 55.00 | S062            | TS90LA4  | 10000                    | 4000                       |
| 31.2                    | 441                    | 2.5            | 55.14 | S102            | TS90LA4  | 22000                    | 8418                       |
| 30.0                    | 463                    | 2.8            | 38.30 | S102            | TH100L6  | 22000                    | 8513                       |
| 30.0                    | 463                    | 2.8            | 38.30 | S102            | TS100LA6 | 22000                    | 8513                       |
| 29.5                    | 467                    | 2.9            | 59.40 | S102            | TP90L4   | 22000                    | 8565                       |
| 29.3                    | 469                    | 2.9            | 59.40 | S102            | TH90L4   | 22000                    | 8580                       |
| 29.2                    | 476                    | 1.1            | 39.38 | S062            | TH100L6  | 10000                    | 4000                       |
| 29.2                    | 476                    | 1.1            | 39.38 | S062            | TS100LA6 | 10000                    | 4000                       |
| 29.0                    | 475                    | 2.9            | 59.40 | S102            | TS90LA4  | 22000                    | 8610                       |
| 28.7                    | 484                    | 1.8            | 40.05 | S082            | TH100L6  | 18000                    | 6931                       |
| 28.7                    | 484                    | 1.8            | 40.05 | S082            | TS100LA6 | 18000                    | 6931                       |
| 28.2                    | 487                    | 1.7            | 61.98 | S082            | TP90L4   | 18000                    | 6969                       |
| 28.1                    | 490                    | 1.7            | 61.98 | S082            | TH90L4   | 18000                    | 6981                       |
| 27.8                    | 496                    | 1.7            | 61.98 | S082            | TS90LA4  | 18000                    | 7004                       |
| 26.7                    | 520                    | 1.6            | 43.05 | S082            | TH100L6  | 18000                    | 7076                       |
| 26.7                    | 520                    | 1.6            | 43.05 | S082            | TS100LA6 | 18000                    | 7076                       |
| 26.1                    | 531                    | 2.1            | 44.00 | S102            | TH100L6  | 22000                    | 8877                       |
| 26.1                    | 531                    | 2.1            | 44.00 | S102            | TS100LA6 | 22000                    | 8877                       |
| 25.9                    | 520                    | 1.6            | 67.52 | S083            | TP90L4   | 18000                    | 7152                       |
| 25.8                    | 523                    | 1.6            | 67.52 | S083            | TH90L4   | 18000                    | 7163                       |
| 25.8                    | 533                    | 2.6            | 67.84 | S102            | TP90L4   | 22000                    | 8916                       |

## 5.2 S GEARED MOTORS (60Hz)

## 1.50 kW

| n2<br>[rpm] | M2<br>[Nm] | fs  | i      | Gear<br>reducer | Motor    | Fr2<br>D [N] | Fr2<br>C-L [N] |
|-------------|------------|-----|--------|-----------------|----------|--------------|----------------|
| 25.6        | 536        | 2.5 | 67.84  | S102            | TH90L4   | 22000        | 8931           |
| 25.5        | 529        | 1.6 | 67.52  | S083            | TS90LA4  | 18000        | 7187           |
| 25.4        | 542        | 2.5 | 67.84  | S102            | TS90LA4  | 22000        | 8962           |
| 24.4        | 569        | 2.4 | 47.13  | S102            | TH100L6  | 22000        | 9000           |
| 24.4        | 569        | 2.4 | 47.13  | S102            | TS100LA6 | 22000        | 9000           |
| 23.6        | 571        | 1.5 | 74.18  | S083            | TP90L4   | 18000        | 7200           |
| 23.6        | 571        | 2.4 | 74.18  | S103            | TP90L4   | 22000        | 9000           |
| 23.5        | 574        | 1.5 | 74.18  | S083            | TH90L4   | 18000        | 7200           |
| 23.5        | 574        | 2.4 | 74.18  | S103            | TH90L4   | 22000        | 9000           |
| 23.2        | 581        | 1.5 | 74.18  | S083            | TS90LA4  | 18000        | 7200           |
| 23.2        | 581        | 2.4 | 74.18  | S103            | TS90LA4  | 22000        | 9000           |
| 22.9        | 607        | 1.4 | 50.25  | S082            | TH100L6  | 18000        | 7200           |
| 22.9        | 607        | 1.4 | 50.25  | S082            | TS100LA6 | 18000        | 7200           |
| 21.5        | 626        | 2.2 | 81.39  | S103            | TP90L4   | 22000        | 9000           |
| 21.4        | 630        | 2.2 | 81.39  | S103            | TH90L4   | 22000        | 9000           |
| 21.2        | 655        | 1.3 | 54.27  | S082            | TH100L6  | 18000        | 7200           |
| 21.2        | 655        | 1.3 | 54.27  | S082            | TS100LA6 | 18000        | 7200           |
| 21.1        | 637        | 2.1 | 81.39  | S103            | TS90LA4  | 22000        | 9000           |
| 20.9        | 666        | 1.7 | 55.14  | S102            | TH100L6  | 22000        | 9000           |
| 20.9        | 666        | 1.7 | 55.14  | S102            | TS100LA6 | 22000        | 9000           |
| 19.4        | 717        | 1.9 | 59.40  | S102            | TH100L6  | 22000        | 9000           |
| 19.4        | 717        | 1.9 | 59.40  | S102            | TS100LA6 | 22000        | 9000           |
| 19.1        | 704        | 1.2 | 91.49  | S083            | TP90L4   | 18000        | 7200           |
| 19.0        | 708        | 1.2 | 91.49  | S083            | TH90L4   | 18000        | 7200           |
| 18.8        | 716        | 1.2 | 91.49  | S083            | TS90LA4  | 18000        | 7200           |
| 18.6        | 749        | 1.1 | 61.98  | S082            | TH100L6  | 18000        | 7200           |
| 18.6        | 749        | 1.1 | 61.98  | S082            | TS100LA6 | 18000        | 7200           |
| 17.5        | 771        | 1.8 | 100.15 | S103            | TP90L4   | 22000        | 9000           |
| 17.4        | 775        | 1.8 | 100.15 | S103            | TH90L4   | 22000        | 9000           |
| 17.4        | 797        | 3.2 | 66.00  | S122            | TH100L6  | 30000        | 11200          |
| 17.4        | 797        | 3.2 | 66.00  | S122            | TS100LA6 | 30000        | 11200          |
| 17.2        | 784        | 1.7 | 100.15 | S103            | TS90LA4  | 22000        | 9000           |
| 17.0        | 799        | 1.1 | 67.52  | S083            | TH100L6  | 18000        | 7200           |
| 17.0        | 799        | 1.1 | 67.52  | S083            | TS100LA6 | 18000        | 7200           |
| 17.0        | 819        | 1.7 | 67.84  | S102            | TH100L6  | 22000        | 9000           |
| 17.0        | 819        | 1.7 | 67.84  | S102            | TS100LA6 | 22000        | 9000           |
| 16.2        | 840        | 2.7 | 71.07  | S123            | TH100L6  | 30000        | 11200          |
| 16.2        | 840        | 2.7 | 71.07  | S123            | TS100LA6 | 30000        | 11200          |
| 15.8        | 851        | 1.6 | 110.55 | S103            | TP90L4   | 22000        | 9000           |
| 15.7        | 855        | 1.6 | 110.55 | S103            | TH90L4   | 22000        | 9000           |
| 15.6        | 865        | 1.6 | 110.55 | S103            | TS90LA4  | 22000        | 9000           |

## 5.2 S GEARED MOTORS (60Hz)

## 1.50 kW

| n <sub>2</sub><br>[rpm] | M <sub>2</sub><br>[Nm] | f <sub>s</sub> | i      | Gear<br>reducer | Motor    | Fr <sub>2</sub><br>D [N] | Fr <sub>2</sub><br>C-L [N] |
|-------------------------|------------------------|----------------|--------|-----------------|----------|--------------------------|----------------------------|
| 15.6                    | 866                    | 3.0            | 112.52 | S123            | TP90L4   | 30000                    | 11200                      |
| 15.5                    | 877                    | 1.6            | 74.18  | S103            | TH100L6  | 22000                    | 9000                       |
| 15.5                    | 877                    | 1.6            | 74.18  | S103            | TS100LA6 | 22000                    | 9000                       |
| 15.5                    | 871                    | 2.9            | 112.52 | S123            | TH90L4   | 30000                    | 11200                      |
| 15.3                    | 881                    | 2.9            | 112.52 | S123            | TS90LA4  | 30000                    | 11200                      |
| 14.2                    | 949                    | 2.7            | 123.33 | S123            | TP90L4   | 30000                    | 11200                      |
| 14.1                    | 963                    | 1.4            | 81.39  | S103            | TH100L6  | 22000                    | 9000                       |
| 14.1                    | 963                    | 1.4            | 81.39  | S103            | TS100LA6 | 22000                    | 9000                       |
| 14.1                    | 954                    | 2.7            | 123.33 | S123            | TH90L4   | 30000                    | 11200                      |
| 13.9                    | 965                    | 2.7            | 123.33 | S123            | TS90LA4  | 30000                    | 11200                      |
| 13.6                    | 991                    | 1.4            | 128.73 | S103            | TP90L4   | 22000                    | 9000                       |
| 13.5                    | 996                    | 1.4            | 128.73 | S103            | TH90L4   | 22000                    | 9000                       |
| 13.4                    | 1008                   | 1.4            | 128.73 | S103            | TS90LA4  | 22000                    | 9000                       |
| 13.2                    | 1032                   | 2.5            | 87.27  | S123            | TH100L6  | 30000                    | 11200                      |
| 13.2                    | 1032                   | 2.5            | 87.27  | S123            | TS100LA6 | 30000                    | 11200                      |
| 13.1                    | 1029                   | 2.5            | 133.78 | S123            | TP90L4   | 30000                    | 11200                      |
| 13.0                    | 1035                   | 2.5            | 133.78 | S123            | TH90L4   | 30000                    | 11200                      |
| 12.9                    | 1047                   | 2.4            | 133.78 | S123            | TS90LA4  | 30000                    | 11200                      |
| 12.4                    | 1087                   | 1.3            | 141.24 | S103            | TP90L4   | 22000                    | 9000                       |
| 12.3                    | 1093                   | 1.2            | 141.24 | S103            | TH90L4   | 22000                    | 9000                       |
| 12.2                    | 1106                   | 1.2            | 141.24 | S103            | TS90LA4  | 22000                    | 9000                       |
| 11.6                    | 1165                   | 2.2            | 151.43 | S123            | TP90L4   | 30000                    | 11200                      |
| 11.5                    | 1184                   | 1.2            | 100.15 | S103            | TH100L6  | 22000                    | 9000                       |
| 11.5                    | 1184                   | 1.2            | 100.15 | S103            | TS100LA6 | 22000                    | 9000                       |
| 11.5                    | 1172                   | 2.2            | 151.43 | S123            | TH90L4   | 30000                    | 11200                      |
| 11.4                    | 1186                   | 2.2            | 151.43 | S123            | TS90LA4  | 30000                    | 11200                      |
| 10.4                    | 1307                   | 1.0            | 110.55 | S103            | TH100L6  | 22000                    | 9000                       |
| 10.4                    | 1307                   | 1.0            | 110.55 | S103            | TS100LA6 | 22000                    | 9000                       |
| 10.2                    | 1331                   | 1.9            | 112.52 | S123            | TH100L6  | 30000                    | 11200                      |
| 10.2                    | 1331                   | 1.9            | 112.52 | S123            | TS100LA6 | 30000                    | 11200                      |
| 10.1                    | 1337                   | 1.0            | 173.78 | S103            | TP90L4   | 22000                    | 9000                       |
| 10.0                    | 1345                   | 1.0            | 173.78 | S103            | TH90L4   | 22000                    | 9000                       |
| 9.9                     | 1360                   | 1.0            | 173.78 | S103            | TS90LA4  | 22000                    | 9000                       |
| 9.9                     | 1366                   | 1.9            | 177.53 | S123            | TP90L4   | 30000                    | 11200                      |
| 9.8                     | 1374                   | 1.9            | 177.53 | S123            | TH90L4   | 30000                    | 11200                      |
| 9.7                     | 1390                   | 1.8            | 177.53 | S123            | TS90LA4  | 30000                    | 11200                      |
| 9.3                     | 1458                   | 1.8            | 123.33 | S123            | TH100L6  | 30000                    | 11200                      |
| 9.3                     | 1458                   | 1.8            | 123.33 | S123            | TS100LA6 | 30000                    | 11200                      |
| 9.0                     | 1497                   | 1.7            | 194.59 | S123            | TP90L4   | 30000                    | 11200                      |
| 8.9                     | 1506                   | 1.7            | 194.59 | S123            | TH90L4   | 30000                    | 11200                      |
| 8.8                     | 1523                   | 1.7            | 194.59 | S123            | TS90LA4  | 30000                    | 11200                      |

## 5.2 S GEARED MOTORS (60Hz)

## 1.50 kW

| n2 [rpm] | M2 [Nm] | fs  | i      | Gear reducer | Motor    | Fr2 D [N] | Fr2 C-L [N] |
|----------|---------|-----|--------|--------------|----------|-----------|-------------|
| 8.6      | 1582    | 1.6 | 133.78 | S123         | TH100L6  | 30000     | 11200       |
| 8.6      | 1582    | 1.6 | 133.78 | S123         | TS100LA6 | 30000     | 11200       |
| 7.6      | 1791    | 1.4 | 151.43 | S123         | TH100L6  | 30000     | 11200       |
| 7.6      | 1791    | 1.4 | 151.43 | S123         | TS100LA6 | 30000     | 11200       |
| 7.3      | 1849    | 1.4 | 238.93 | S123         | TH90L4   | 30000     | 11200       |
| 7.3      | 1838    | 1.4 | 238.93 | S123         | TP90L4   | 30000     | 11200       |
| 7.2      | 1871    | 1.4 | 238.93 | S123         | TS90LA4  | 30000     | 11200       |
| 6.5      | 2099    | 1.2 | 177.53 | S123         | TH100L6  | 30000     | 11200       |
| 6.5      | 2099    | 1.2 | 177.53 | S123         | TS100LA6 | 30000     | 11200       |
| 6.2      | 2168    | 1.2 | 280.10 | S123         | TH90L4   | 30000     | 11200       |
| 6.2      | 2155    | 1.2 | 280.10 | S123         | TP90L4   | 30000     | 11200       |
| 6.1      | 2193    | 1.2 | 280.10 | S123         | TS90LA4  | 30000     | 11200       |
| 5.9      | 2301    | 1.1 | 194.59 | S123         | TH100L6  | 30000     | 11200       |
| 5.9      | 2301    | 1.1 | 194.59 | S123         | TS100LA6 | 30000     | 11200       |
| 5.8      | 2331    | 1.1 | 301.16 | S123         | TH90L4   | 30000     | 11200       |
| 5.8      | 2317    | 1.1 | 301.16 | S123         | TP90L4   | 30000     | 11200       |
| 5.7      | 2358    | 1.1 | 301.16 | S123         | TS90LA4  | 30000     | 11200       |

## 1.85 kW

| n2 [rpm] | M2 [Nm] | fs  | i     | Gear reducer | Motor    | Fr2 D [N] | Fr2 C-L [N] |
|----------|---------|-----|-------|--------------|----------|-----------|-------------|
| 215.0    | 79      | 3.0 | 8.00  | S062         | TS90LB4  | 6337      | 2535        |
| 199.4    | 85      | 1.4 | 8.63  | S052         | TS90LB4  | 3582      | 3582        |
| 180.2    | 94      | 2.8 | 9.55  | S062         | TS90LB4  | 6650      | 2660        |
| 154.4    | 110     | 1.2 | 11.14 | S052         | TS90LB4  | 3797      | 3797        |
| 146.9    | 115     | 2.4 | 11.71 | S062         | TS90LB4  | 7021      | 2808        |
| 142.5    | 120     | 2.0 | 8.00  | S062         | TS100LB6 | 7068      | 2827        |
| 128.8    | 132     | 2.3 | 13.36 | S062         | TS90LB4  | 7262      | 2905        |
| 125.9    | 135     | 1.1 | 13.66 | S052         | TS90LB4  | 3962      | 3962        |
| 119.4    | 143     | 1.8 | 9.55  | S062         | TS100LB6 | 7391      | 2957        |
| 112.6    | 151     | 1.2 | 15.27 | S052         | TS90LB4  | 4047      | 4047        |
| 107.9    | 157     | 2.1 | 15.94 | S062         | TS90LB4  | 7586      | 3035        |
| 105.6    | 161     | 1.1 | 16.29 | S052         | TS90LB4  | 4095      | 4095        |
| 97.4     | 176     | 1.6 | 11.71 | S062         | TS100LB6 | 7764      | 3106        |
| 88.0     | 193     | 1.7 | 19.55 | S062         | TS90LB4  | 7959      | 3184        |
| 85.4     | 199     | 2.8 | 20.14 | S082         | TS90LB4  | 17387     | 4968        |
| 85.3     | 201     | 1.5 | 13.36 | S062         | TS100LB6 | 8001      | 3201        |
| 77.7     | 218     | 2.6 | 22.13 | S082         | TS90LB4  | 17891     | 5112        |
| 74.2     | 229     | 1.5 | 23.18 | S062         | TS90LB4  | 8263      | 3305        |
| 71.7     | 237     | 2.4 | 24.00 | S082         | TS90LB4  | 18000     | 5239        |
| 71.5     | 239     | 1.4 | 15.94 | S062         | TS100LB6 | 8312      | 3325        |



## 5.2 S GEARED MOTORS (60Hz)

## 1.85 kW

| n2<br>[rpm] | M2<br>[Nm] | fs  | i     | Gear<br>reducer | Motor    | Fr2<br>D [N] | Fr2<br>C-L [N] |
|-------------|------------|-----|-------|-----------------|----------|--------------|----------------|
| 68.4        | 248        | 1.4 | 25.14 | S062            | TS90LB4  | 8405         | 3362           |
| 65.9        | 260        | 2.1 | 17.29 | S082            | TS100LB6 | 18000        | 5370           |
| 63.0        | 269        | 2.4 | 27.29 | S082            | TS90LB4  | 18000        | 5445           |
| 62.2        | 273        | 1.3 | 27.66 | S062            | TS90LB4  | 8566         | 3426           |
| 60.0        | 283        | 2.3 | 28.67 | S082            | TS90LB4  | 18000        | 5526           |
| 58.3        | 294        | 1.1 | 19.55 | S062            | TS100LB6 | 8654         | 3462           |
| 57.3        | 296        | 1.2 | 30.00 | S062            | TS90LB4  | 8700         | 3480           |
| 56.6        | 303        | 1.8 | 20.14 | S082            | TS100LB6 | 18000        | 5619           |
| 54.1        | 313        | 2.7 | 31.78 | S082            | TS90LB4  | 18000        | 5697           |
| 51.5        | 332        | 1.7 | 22.13 | S082            | TS100LB6 | 18000        | 5777           |
| 49.3        | 344        | 2.5 | 34.91 | S082            | TS90LB4  | 18000        | 5857           |
| 49.3        | 344        | 3.5 | 34.91 | S102            | TS90LB4  | 22000        | 7265           |
| 47.5        | 361        | 1.6 | 24.00 | S082            | TS100LB6 | 18000        | 5917           |
| 47.0        | 361        | 1.4 | 36.57 | S062            | TS90LB4  | 9003         | 3601           |
| 44.9        | 378        | 3.4 | 38.30 | S102            | TS90LB4  | 22000        | 7474           |
| 43.7        | 388        | 1.3 | 39.38 | S062            | TS90LB4  | 9107         | 3643           |
| 43.3        | 396        | 2.7 | 26.33 | S102            | TS100LB6 | 22000        | 7555           |
| 42.9        | 395        | 2.2 | 40.05 | S082            | TS90LB4  | 18000        | 6096           |
| 41.8        | 410        | 1.6 | 27.29 | S082            | TS100LB6 | 18000        | 6141           |
| 39.9        | 425        | 2.0 | 43.05 | S082            | TS90LB4  | 18000        | 6224           |
| 39.8        | 431        | 1.5 | 28.67 | S082            | TS100LB6 | 18000        | 6229           |
| 39.4        | 430        | 1.2 | 43.64 | S062            | TS90LB4  | 9239         | 3696           |
| 39.1        | 434        | 2.6 | 44.00 | S102            | TS90LB4  | 22000        | 7796           |
| 38.2        | 449        | 2.4 | 29.87 | S102            | TS100LB6 | 22000        | 7849           |
| 37.3        | 455        | 1.1 | 46.10 | S062            | TS90LB4  | 9304         | 3722           |
| 36.5        | 465        | 2.9 | 47.13 | S102            | TS90LB4  | 22000        | 7959           |
| 35.9        | 477        | 1.8 | 31.78 | S082            | TS100LB6 | 18000        | 6414           |
| 35.2        | 487        | 2.6 | 32.40 | S102            | TS100LB6 | 22000        | 8043           |
| 34.2        | 496        | 1.7 | 50.25 | S082            | TS90LB4  | 18000        | 6504           |
| 32.7        | 525        | 1.6 | 34.91 | S082            | TS100LB6 | 18000        | 6586           |
| 32.7        | 525        | 2.3 | 34.91 | S102            | TS100LB6 | 22000        | 8225           |
| 31.7        | 535        | 1.6 | 54.27 | S082            | TS90LB4  | 18000        | 6646           |
| 31.2        | 544        | 2.0 | 55.14 | S102            | TS90LB4  | 22000        | 8342           |
| 29.8        | 576        | 2.2 | 38.30 | S102            | TS100LB6 | 22000        | 8455           |
| 29.0        | 586        | 2.3 | 59.40 | S102            | TS90LB4  | 22000        | 8528           |
| 28.5        | 602        | 1.4 | 40.05 | S082            | TS100LB6 | 18000        | 6842           |
| 27.8        | 611        | 1.4 | 61.98 | S082            | TS90LB4  | 18000        | 6895           |
| 26.5        | 647        | 1.3 | 43.05 | S082            | TS100LB6 | 18000        | 6978           |
| 25.9        | 661        | 1.7 | 44.00 | S102            | TS100LB6 | 22000        | 8807           |
| 25.5        | 652        | 1.3 | 67.52 | S083            | TS90LB4  | 18000        | 7071           |
| 25.4        | 669        | 2.0 | 67.84 | S102            | TS90LB4  | 22000        | 8868           |

## 5.2 S GEARED MOTORS (60Hz)

## 1.85 kW

| n <sub>2</sub><br>[rpm] | M <sub>2</sub><br>[Nm] | f <sub>s</sub> | i      | Gear<br>reducer | Motor    | Fr <sub>2</sub><br>D [N] | Fr <sub>2</sub><br>C-L [N] |
|-------------------------|------------------------|----------------|--------|-----------------|----------|--------------------------|----------------------------|
| 24.2                    | 708                    | 1.9            | 47.13  | S102            | TS100LB6 | 22000                    | 8985                       |
| 23.2                    | 716                    | 1.2            | 74.18  | S083            | TS90LB4  | 18000                    | 7200                       |
| 23.2                    | 716                    | 1.9            | 74.18  | S103            | TS90LB4  | 22000                    | 9000                       |
| 23.2                    | 737                    | 2.8            | 49.04  | S122            | TS100LB6 | 30000                    | 11200                      |
| 22.7                    | 755                    | 1.1            | 50.25  | S082            | TS100LB6 | 18000                    | 7200                       |
| 21.2                    | 808                    | 2.7            | 53.75  | S122            | TS100LB6 | 30000                    | 11200                      |
| 21.1                    | 786                    | 1.7            | 81.39  | S103            | TS90LB4  | 22000                    | 9000                       |
| 21.0                    | 815                    | 1.0            | 54.27  | S082            | TS100LB6 | 18000                    | 7200                       |
| 20.7                    | 829                    | 1.3            | 55.14  | S102            | TS100LB6 | 22000                    | 9000                       |
| 19.2                    | 893                    | 1.5            | 59.40  | S102            | TS100LB6 | 22000                    | 9000                       |
| 17.3                    | 992                    | 2.6            | 66.00  | S122            | TS100LB6 | 30000                    | 11200                      |
| 17.2                    | 967                    | 1.4            | 100.15 | S103            | TS90LB4  | 22000                    | 9000                       |
| 16.8                    | 1019                   | 1.3            | 67.84  | S102            | TS100LB6 | 22000                    | 9000                       |
| 16.0                    | 1046                   | 2.2            | 71.07  | S123            | TS100LB6 | 30000                    | 11200                      |
| 15.6                    | 1067                   | 1.3            | 110.55 | S103            | TS90LB4  | 22000                    | 9000                       |
| 15.4                    | 1091                   | 1.3            | 74.18  | S103            | TS100LB6 | 22000                    | 9000                       |
| 15.3                    | 1086                   | 2.4            | 112.52 | S123            | TS90LB4  | 30000                    | 11200                      |
| 14.0                    | 1198                   | 1.1            | 81.39  | S103            | TS100LB6 | 22000                    | 9000                       |
| 13.9                    | 1191                   | 2.1            | 123.33 | S123            | TS90LB4  | 30000                    | 11200                      |
| 13.4                    | 1243                   | 1.1            | 128.73 | S103            | TS90LB4  | 22000                    | 9000                       |
| 13.1                    | 1284                   | 2.0            | 87.27  | S123            | TS100LB6 | 30000                    | 11200                      |
| 12.9                    | 1292                   | 2.0            | 133.78 | S123            | TS90LB4  | 30000                    | 11200                      |
| 12.2                    | 1364                   | 1.0            | 141.24 | S103            | TS90LB4  | 22000                    | 9000                       |
| 11.4                    | 1462                   | 1.8            | 151.43 | S123            | TS90LB4  | 30000                    | 11200                      |
| 10.1                    | 1656                   | 1.5            | 112.52 | S123            | TS100LB6 | 30000                    | 11200                      |
| 9.7                     | 1714                   | 1.5            | 177.53 | S123            | TS90LB4  | 30000                    | 11200                      |
| 9.2                     | 1815                   | 1.4            | 123.33 | S123            | TS100LB6 | 30000                    | 11200                      |
| 8.8                     | 1879                   | 1.4            | 194.59 | S123            | TS90LB4  | 30000                    | 11200                      |
| 8.5                     | 1968                   | 1.3            | 133.78 | S123            | TS100LB6 | 30000                    | 11200                      |
| 7.5                     | 2228                   | 1.1            | 151.43 | S123            | TS100LB6 | 30000                    | 11200                      |
| 7.2                     | 2307                   | 1.1            | 238.93 | S123            | TS90LB4  | 30000                    | 11200                      |

## 2.20 kW

| n <sub>2</sub><br>[rpm] | M <sub>2</sub><br>[Nm] | f <sub>s</sub> | i    | Gear<br>reducer | Motor    | Fr <sub>2</sub><br>D [N] | Fr <sub>2</sub><br>C-L [N] |
|-------------------------|------------------------|----------------|------|-----------------|----------|--------------------------|----------------------------|
| 221.3                   | 91                     | 2.6            | 8.00 | S062            | TP112MR4 | 6194                     | 2478                       |
| 217.5                   | 93                     | 2.6            | 8.00 | S062            | TH100LA4 | 6223                     | 2489                       |
| 217.5                   | 93                     | 2.6            | 8.00 | S062            | TS100LA4 | 6223                     | 2489                       |
| 205.2                   | 98                     | 1.3            | 8.63 | S052            | TP112MR4 | 3467                     | 3467                       |
| 201.7                   | 100                    | 1.2            | 8.63 | S052            | TH100LA4 | 3480                     | 3480                       |
| 201.7                   | 100                    | 1.2            | 8.63 | S052            | TS100LA4 | 3480                     | 3480                       |

## 5.2 S GEARED MOTORS (60Hz)

## 2.20 kW

| n2<br>[rpm] | M2<br>[Nm] | fs  | i     | Gear<br>reducer | Motor    | Fr2<br>D [N] | Fr2<br>C-L [N] |
|-------------|------------|-----|-------|-----------------|----------|--------------|----------------|
| 185.4       | 109        | 2.4 | 9.55  | S062            | TP112MR4 | 6489         | 2596           |
| 182.3       | 111        | 2.3 | 9.55  | S062            | TH100LA4 | 6518         | 2607           |
| 182.3       | 111        | 2.3 | 9.55  | S062            | TS100LA4 | 6518         | 2607           |
| 158.9       | 127        | 1.1 | 11.14 | S052            | TP112MR4 | 3656         | 3656           |
| 156.2       | 129        | 1.1 | 11.14 | S052            | TH100LA4 | 3669         | 3669           |
| 156.2       | 129        | 1.1 | 11.14 | S052            | TS100LA4 | 3669         | 3669           |
| 151.2       | 133        | 2.1 | 11.71 | S062            | TP112MR4 | 6834         | 2733           |
| 148.6       | 136        | 2.1 | 11.71 | S062            | TS100LA4 | 6863         | 2745           |
| 148.6       | 136        | 2.1 | 11.71 | S062            | TH100LA4 | 6863         | 2745           |
| 146.3       | 139        | 1.7 | 8.00  | S062            | TH112M6  | 6881         | 2752           |
| 145.0       | 140        | 1.7 | 8.00  | S062            | TS112MA6 | 6895         | 2758           |
| 132.5       | 152        | 2.0 | 13.36 | S062            | TP112MR4 | 7056         | 2822           |
| 130.3       | 155        | 2.0 | 13.36 | S062            | TH100LA4 | 7084         | 2834           |
| 130.3       | 155        | 2.0 | 13.36 | S062            | TS100LA4 | 7084         | 2834           |
| 122.6       | 166        | 1.6 | 9.55  | S062            | TH112M6  | 7176         | 2870           |
| 121.5       | 168        | 1.6 | 9.55  | S062            | TS112MA6 | 7190         | 2876           |
| 117.7       | 173        | 2.7 | 9.94  | S082            | TH112M6  | 15661        | 4474           |
| 116.7       | 175        | 2.7 | 9.94  | S082            | TS112MA6 | 15702        | 4486           |
| 111.1       | 182        | 1.8 | 15.94 | S062            | TP112MR4 | 7351         | 2940           |
| 109.2       | 185        | 1.8 | 15.94 | S062            | TH100LA4 | 7379         | 2952           |
| 109.2       | 185        | 1.8 | 15.94 | S062            | TS100LA4 | 7379         | 2952           |
| 102.3       | 197        | 2.8 | 17.29 | S082            | TP112MR4 | 16347        | 4670           |
| 100.8       | 202        | 2.5 | 11.61 | S082            | TH112M6  | 16415        | 4690           |
| 100.6       | 200        | 2.8 | 17.29 | S082            | TH100LA4 | 16432        | 4695           |
| 100.6       | 200        | 2.8 | 17.29 | S082            | TS100LA4 | 16432        | 4695           |
| 100.0       | 204        | 2.5 | 11.61 | S082            | TS112MA6 | 16458        | 4702           |
| 99.9        | 204        | 1.4 | 11.71 | S062            | TH112M6  | 7511         | 3005           |
| 99.1        | 206        | 1.4 | 11.71 | S062            | TS112MA6 | 7525         | 3010           |
| 91.8        | 222        | 2.4 | 12.75 | S082            | TH112M6  | 16888        | 4825           |
| 91.0        | 224        | 2.4 | 12.75 | S082            | TS112MA6 | 16931        | 4838           |
| 90.5        | 223        | 1.5 | 19.55 | S062            | TP112MR4 | 7683         | 3073           |
| 89.0        | 227        | 1.5 | 19.55 | S062            | TH100LA4 | 7710         | 3084           |
| 89.0        | 227        | 1.5 | 19.55 | S062            | TS100LA4 | 7710         | 3084           |
| 87.9        | 229        | 2.4 | 20.14 | S082            | TP112MR4 | 17116        | 4890           |
| 87.6        | 233        | 1.3 | 13.36 | S062            | TH112M6  | 7720         | 3088           |
| 86.8        | 235        | 1.3 | 13.36 | S062            | TS112MA6 | 7734         | 3094           |
| 86.4        | 233        | 2.4 | 20.14 | S082            | TH100LA4 | 17204        | 4915           |
| 86.4        | 233        | 2.4 | 20.14 | S082            | TS100LA4 | 17204        | 4915           |
| 80.0        | 252        | 2.3 | 22.13 | S082            | TP112MR4 | 17605        | 5030           |
| 78.6        | 256        | 2.2 | 22.13 | S082            | TH100LA4 | 17695        | 5056           |
| 78.6        | 256        | 2.2 | 22.13 | S082            | TS100LA4 | 17695        | 5056           |

## 5.2 S GEARED MOTORS (60Hz)

## 2.20 kW

| n <sub>2</sub><br>[rpm] | M <sub>2</sub><br>[Nm] | f <sub>s</sub> | i     | Gear<br>reducer | Motor    | Fr <sub>2</sub><br>D [N] | Fr <sub>2</sub><br>C-L [N] |
|-------------------------|------------------------|----------------|-------|-----------------|----------|--------------------------|----------------------------|
| 76.4                    | 264                    | 1.3            | 23.18 | S062            | TP112MR4 | 7946                     | 3179                       |
| 75.1                    | 269                    | 1.3            | 23.18 | S062            | TH100LA4 | 7972                     | 3189                       |
| 75.1                    | 269                    | 1.3            | 23.18 | S062            | TS100LA4 | 7972                     | 3189                       |
| 73.8                    | 273                    | 2.1            | 24.00 | S082            | TP112MR4 | 18000                    | 5153                       |
| 73.4                    | 277                    | 1.2            | 15.94 | S062            | TH112M6  | 7988                     | 3195                       |
| 72.8                    | 280                    | 1.2            | 15.94 | S062            | TS112MA6 | 8000                     | 3200                       |
| 72.5                    | 278                    | 2.1            | 24.00 | S082            | TH100LA4 | 18000                    | 5179                       |
| 72.5                    | 278                    | 2.1            | 24.00 | S082            | TS100LA4 | 18000                    | 5179                       |
| 70.4                    | 287                    | 1.2            | 25.14 | S062            | TP112MR4 | 8066                     | 3226                       |
| 69.2                    | 291                    | 1.2            | 25.14 | S062            | TH100LA4 | 8091                     | 3236                       |
| 69.2                    | 291                    | 1.2            | 25.14 | S062            | TS100LA4 | 8091                     | 3236                       |
| 67.7                    | 301                    | 1.8            | 17.29 | S082            | TH112M6  | 18000                    | 5284                       |
| 67.1                    | 304                    | 1.8            | 17.29 | S082            | TS112MA6 | 18000                    | 5297                       |
| 64.9                    | 311                    | 2.1            | 27.29 | S082            | TP112MR4 | 18000                    | 5352                       |
| 64.0                    | 315                    | 1.1            | 27.66 | S062            | TP112MR4 | 8200                     | 3280                       |
| 63.8                    | 316                    | 2.1            | 27.29 | S082            | TH100LA4 | 18000                    | 5379                       |
| 63.8                    | 316                    | 2.1            | 27.29 | S082            | TS100LA4 | 18000                    | 5379                       |
| 62.9                    | 321                    | 1.1            | 27.66 | S062            | TH100LA4 | 8223                     | 3289                       |
| 62.9                    | 321                    | 1.1            | 27.66 | S062            | TS100LA4 | 8223                     | 3289                       |
| 61.7                    | 327                    | 2.0            | 28.67 | S082            | TP112MR4 | 18000                    | 5430                       |
| 60.7                    | 332                    | 2.0            | 28.67 | S082            | TH100LA4 | 18000                    | 5457                       |
| 60.7                    | 332                    | 2.0            | 28.67 | S082            | TS100LA4 | 18000                    | 5457                       |
| 59.0                    | 342                    | 1.1            | 30.00 | S062            | TP112MR4 | 8308                     | 3323                       |
| 58.1                    | 351                    | 1.6            | 20.14 | S082            | TH112M6  | 18000                    | 5524                       |
| 58.0                    | 348                    | 1.0            | 30.00 | S062            | TH100LA4 | 8330                     | 3332                       |
| 58.0                    | 348                    | 1.0            | 30.00 | S062            | TS100LA4 | 8330                     | 3332                       |
| 57.6                    | 354                    | 1.6            | 20.14 | S082            | TS112MA6 | 18000                    | 5538                       |
| 55.7                    | 362                    | 2.3            | 31.78 | S082            | TP112MR4 | 18000                    | 5595                       |
| 54.8                    | 368                    | 2.3            | 31.78 | S082            | TH100LA4 | 18000                    | 5623                       |
| 54.8                    | 368                    | 2.3            | 31.78 | S082            | TS100LA4 | 18000                    | 5623                       |
| 54.6                    | 369                    | 3.5            | 32.40 | S102            | TP112MR4 | 22000                    | 6995                       |
| 53.7                    | 376                    | 3.4            | 32.40 | S102            | TH100LA4 | 22000                    | 7031                       |
| 53.7                    | 376                    | 3.4            | 32.40 | S102            | TS100LA4 | 22000                    | 7031                       |
| 52.9                    | 385                    | 1.5            | 22.13 | S082            | TH112M6  | 18000                    | 5676                       |
| 52.9                    | 385                    | 2.6            | 22.13 | S102            | TH112M6  | 22000                    | 7061                       |
| 52.4                    | 389                    | 1.5            | 22.13 | S082            | TS112MA6 | 18000                    | 5690                       |
| 52.4                    | 389                    | 2.6            | 22.13 | S102            | TS112MA6 | 22000                    | 7080                       |
| 50.7                    | 398                    | 2.1            | 34.91 | S082            | TP112MR4 | 18000                    | 5748                       |
| 50.7                    | 398                    | 3.0            | 34.91 | S102            | TP112MR4 | 22000                    | 7155                       |
| 49.8                    | 405                    | 2.1            | 34.91 | S082            | TH100LA4 | 18000                    | 5777                       |
| 49.8                    | 405                    | 2.1            | 34.91 | S082            | TS100LA4 | 18000                    | 5777                       |

## 5.2 S GEARED MOTORS (60Hz)

## 2.20 kW

| n <sub>2</sub><br>[rpm] | M <sub>2</sub><br>[Nm] | f <sub>s</sub> | i     | Gear<br>reducer | Motor    | Fr <sub>2</sub><br>D [N] | Fr <sub>2</sub><br>C-L [N] |
|-------------------------|------------------------|----------------|-------|-----------------|----------|--------------------------|----------------------------|
| 49.8                    | 405                    | 3.0            | 34.91 | S102            | TH100LA4 | 22000                    | 7192                       |
| 49.8                    | 405                    | 3.0            | 34.91 | S102            | TS100LA4 | 22000                    | 7192                       |
| 48.8                    | 418                    | 1.4            | 24.00 | S082            | TH112M6  | 18000                    | 5810                       |
| 48.4                    | 417                    | 1.2            | 36.57 | S062            | TP112MR4 | 8541                     | 3417                       |
| 48.3                    | 421                    | 1.4            | 24.00 | S082            | TS112MA6 | 18000                    | 5824                       |
| 48.2                    | 423                    | 2.6            | 24.28 | S102            | TH112M6  | 22000                    | 7262                       |
| 47.8                    | 426                    | 2.5            | 24.28 | S102            | TS112MA6 | 22000                    | 7281                       |
| 47.6                    | 424                    | 1.2            | 36.57 | S062            | TH100LA4 | 8559                     | 3424                       |
| 47.6                    | 424                    | 1.2            | 36.57 | S062            | TS100LA4 | 8559                     | 3424                       |
| 46.2                    | 436                    | 2.9            | 38.30 | S102            | TP112MR4 | 22000                    | 7358                       |
| 45.4                    | 444                    | 2.9            | 38.30 | S102            | TH100LA4 | 22000                    | 7396                       |
| 45.4                    | 444                    | 2.9            | 38.30 | S102            | TS100LA4 | 22000                    | 7396                       |
| 45.0                    | 449                    | 1.1            | 39.38 | S062            | TP112MR4 | 8615                     | 3446                       |
| 44.4                    | 458                    | 2.4            | 26.33 | S102            | TH112M6  | 22000                    | 7442                       |
| 44.2                    | 456                    | 1.1            | 39.38 | S062            | TH100LA4 | 8631                     | 3452                       |
| 44.2                    | 456                    | 1.1            | 39.38 | S062            | TS100LA4 | 8631                     | 3452                       |
| 44.2                    | 456                    | 1.9            | 40.05 | S082            | TP112MR4 | 18000                    | 5977                       |
| 44.1                    | 462                    | 2.3            | 26.33 | S102            | TS112MA6 | 22000                    | 7461                       |
| 43.4                    | 464                    | 1.8            | 40.05 | S082            | TH100LA4 | 18000                    | 6006                       |
| 43.4                    | 464                    | 1.8            | 40.05 | S082            | TS100LA4 | 18000                    | 6006                       |
| 42.9                    | 475                    | 1.4            | 27.29 | S082            | TH112M6  | 18000                    | 6024                       |
| 42.5                    | 479                    | 1.4            | 27.29 | S082            | TS112MA6 | 18000                    | 6039                       |
| 41.1                    | 491                    | 1.7            | 43.05 | S082            | TP112MR4 | 18000                    | 6100                       |
| 40.8                    | 499                    | 1.3            | 28.67 | S082            | TH112M6  | 18000                    | 6108                       |
| 40.6                    | 497                    | 1.0            | 43.64 | S062            | TP112MR4 | 8702                     | 3481                       |
| 40.5                    | 504                    | 1.3            | 28.67 | S082            | TS112MA6 | 18000                    | 6123                       |
| 40.4                    | 499                    | 1.7            | 43.05 | S082            | TH100LA4 | 18000                    | 6129                       |
| 40.4                    | 499                    | 1.7            | 43.05 | S082            | TS100LA4 | 18000                    | 6129                       |
| 40.2                    | 501                    | 2.2            | 44.00 | S102            | TP112MR4 | 22000                    | 7669                       |
| 39.9                    | 506                    | 1.0            | 43.64 | S062            | TH100LA4 | 8715                     | 3486                       |
| 39.9                    | 506                    | 1.0            | 43.64 | S062            | TS100LA4 | 8715                     | 3486                       |
| 39.5                    | 510                    | 2.2            | 44.00 | S102            | TH100LA4 | 22000                    | 7708                       |
| 39.5                    | 510                    | 2.2            | 44.00 | S102            | TS100LA4 | 22000                    | 7708                       |
| 39.2                    | 520                    | 2.1            | 29.87 | S102            | TH112M6  | 22000                    | 7726                       |
| 38.8                    | 525                    | 2.1            | 29.87 | S102            | TS112MA6 | 22000                    | 7746                       |
| 37.6                    | 537                    | 2.5            | 47.13 | S102            | TP112MR4 | 22000                    | 7827                       |
| 36.9                    | 546                    | 2.5            | 47.13 | S102            | TH100LA4 | 22000                    | 7867                       |
| 36.9                    | 546                    | 2.5            | 47.13 | S102            | TS100LA4 | 22000                    | 7867                       |
| 36.8                    | 553                    | 1.5            | 31.78 | S082            | TH112M6  | 18000                    | 6284                       |
| 36.5                    | 558                    | 1.5            | 31.78 | S082            | TS112MA6 | 18000                    | 6299                       |
| 36.1                    | 564                    | 2.3            | 32.40 | S102            | TH112M6  | 22000                    | 7914                       |

## 5.2 S GEARED MOTORS (60Hz)

## 2.20 kW

| n <sub>2</sub><br>[rpm] | M <sub>2</sub><br>[Nm] | f <sub>s</sub> | i     | Gear<br>reducer | Motor    | Fr <sub>2</sub><br>D [N] | Fr <sub>2</sub><br>C-L [N] |
|-------------------------|------------------------|----------------|-------|-----------------|----------|--------------------------|----------------------------|
| 35.8                    | 569                    | 2.2            | 32.40 | S102            | TS112MA6 | 22000                    | 7934                       |
| 35.5                    | 568                    | 3.6            | 49.04 | S122            | TH100LA4 | 30000                    | 11200                      |
| 35.5                    | 568                    | 3.6            | 49.04 | S122            | TS100LA4 | 30000                    | 11200                      |
| 35.2                    | 573                    | 1.5            | 50.25 | S082            | TP112MR4 | 18000                    | 6366                       |
| 34.6                    | 582                    | 1.5            | 50.25 | S082            | TH100LA4 | 18000                    | 6396                       |
| 34.6                    | 582                    | 1.5            | 50.25 | S082            | TS100LA4 | 18000                    | 6396                       |
| 33.5                    | 608                    | 1.4            | 34.91 | S082            | TH112M6  | 18000                    | 6447                       |
| 33.5                    | 608                    | 2.0            | 34.91 | S102            | TH112M6  | 22000                    | 8090                       |
| 33.2                    | 613                    | 1.4            | 34.91 | S082            | TS112MA6 | 18000                    | 6462                       |
| 33.2                    | 613                    | 1.9            | 34.91 | S102            | TS112MA6 | 22000                    | 8110                       |
| 32.9                    | 612                    | 3.6            | 53.75 | S122            | TP112MR4 | 30000                    | 11200                      |
| 32.6                    | 618                    | 1.4            | 54.27 | S082            | TP112MR4 | 18000                    | 6501                       |
| 32.4                    | 623                    | 3.6            | 53.75 | S122            | TH100LA4 | 30000                    | 11200                      |
| 32.4                    | 623                    | 3.6            | 53.75 | S122            | TS100LA4 | 30000                    | 11200                      |
| 32.1                    | 629                    | 1.4            | 54.27 | S082            | TH100LA4 | 18000                    | 6531                       |
| 32.1                    | 629                    | 1.4            | 54.27 | S082            | TS100LA4 | 18000                    | 6531                       |
| 32.1                    | 628                    | 1.8            | 55.14 | S102            | TP112MR4 | 22000                    | 8197                       |
| 31.6                    | 639                    | 1.7            | 55.14 | S102            | TH100LA4 | 22000                    | 8238                       |
| 31.6                    | 639                    | 1.7            | 55.14 | S102            | TS100LA4 | 22000                    | 8238                       |
| 30.5                    | 667                    | 1.9            | 38.30 | S102            | TH112M6  | 22000                    | 8311                       |
| 30.3                    | 673                    | 1.9            | 38.30 | S102            | TS112MA6 | 22000                    | 8332                       |
| 29.8                    | 677                    | 2.0            | 59.40 | S102            | TP112MR4 | 22000                    | 8376                       |
| 29.3                    | 689                    | 2.0            | 59.40 | S102            | TH100LA4 | 22000                    | 8418                       |
| 29.3                    | 689                    | 2.0            | 59.40 | S102            | TS100LA4 | 22000                    | 8418                       |
| 29.2                    | 697                    | 1.2            | 40.05 | S082            | TH112M6  | 18000                    | 6689                       |
| 29.0                    | 703                    | 1.2            | 40.05 | S082            | TS112MA6 | 18000                    | 6704                       |
| 28.6                    | 706                    | 1.2            | 61.98 | S082            | TP112MR4 | 18000                    | 6736                       |
| 28.1                    | 718                    | 1.2            | 61.98 | S082            | TH100LA4 | 18000                    | 6766                       |
| 28.1                    | 718                    | 1.2            | 61.98 | S082            | TS100LA4 | 18000                    | 6766                       |
| 27.2                    | 750                    | 1.1            | 43.05 | S082            | TH112M6  | 18000                    | 6817                       |
| 26.9                    | 756                    | 1.1            | 43.05 | S082            | TS112MA6 | 18000                    | 6833                       |
| 26.8                    | 752                    | 3.4            | 66.00 | S122            | TP112MR4 | 30000                    | 11200                      |
| 26.6                    | 766                    | 1.4            | 44.00 | S102            | TH112M6  | 22000                    | 8650                       |
| 26.4                    | 773                    | 1.4            | 44.00 | S102            | TS112MA6 | 22000                    | 8671                       |
| 26.4                    | 765                    | 3.3            | 66.00 | S122            | TH100LA4 | 30000                    | 11200                      |
| 26.4                    | 765                    | 3.3            | 66.00 | S122            | TS100LA4 | 30000                    | 11200                      |
| 26.2                    | 753                    | 1.1            | 67.52 | S083            | TP112MR4 | 18000                    | 6904                       |
| 26.1                    | 773                    | 1.8            | 67.84 | S102            | TP112MR4 | 22000                    | 8703                       |
| 25.8                    | 766                    | 1.1            | 67.52 | S083            | TH100LA4 | 18000                    | 6935                       |
| 25.8                    | 766                    | 1.1            | 67.52 | S083            | TS100LA4 | 18000                    | 6935                       |
| 25.6                    | 786                    | 1.7            | 67.84 | S102            | TH100LA4 | 22000                    | 8745                       |

## 5.2 S GEARED MOTORS (60Hz)

## 2.20 kW

| n2<br>[rpm] | M2<br>[Nm] | fs  | i      | Gear<br>reducer | Motor    | Fr2<br>D [N] | Fr2<br>C-L [N] |
|-------------|------------|-----|--------|-----------------|----------|--------------|----------------|
| 25.6        | 786        | 1.7 | 67.84  | S102            | TS100LA4 | 22000        | 8745           |
| 24.9        | 793        | 2.9 | 71.07  | S123            | TP112MR4 | 30000        | 11200          |
| 24.8        | 821        | 1.7 | 47.13  | S102            | TH112M6  | 22000        | 8821           |
| 24.6        | 828        | 1.6 | 47.13  | S102            | TS112MA6 | 22000        | 8842           |
| 24.5        | 807        | 2.9 | 71.07  | S123            | TH100LA4 | 30000        | 11200          |
| 24.5        | 807        | 2.9 | 71.07  | S123            | TS100LA4 | 30000        | 11200          |
| 23.9        | 828        | 1.0 | 74.18  | S083            | TP112MR4 | 18000        | 7074           |
| 23.9        | 828        | 1.6 | 74.18  | S103            | TP112MR4 | 22000        | 8940           |
| 23.9        | 854        | 2.4 | 49.04  | S122            | TH112M6  | 30000        | 11200          |
| 23.7        | 861        | 2.4 | 49.04  | S122            | TS112MA6 | 30000        | 11200          |
| 23.5        | 842        | 1.0 | 74.18  | S083            | TH100LA4 | 18000        | 7105           |
| 23.5        | 842        | 1.0 | 74.18  | S083            | TS100LA4 | 18000        | 7105           |
| 23.5        | 842        | 1.6 | 74.18  | S103            | TH100LA4 | 22000        | 8983           |
| 23.5        | 842        | 1.6 | 74.18  | S103            | TS100LA4 | 22000        | 8983           |
| 21.8        | 936        | 2.4 | 53.75  | S122            | TH112M6  | 30000        | 11200          |
| 21.7        | 908        | 1.5 | 81.39  | S103            | TP112MR4 | 22000        | 9000           |
| 21.6        | 944        | 2.4 | 53.75  | S122            | TS112MA6 | 30000        | 11200          |
| 21.4        | 924        | 1.5 | 81.39  | S103            | TH100LA4 | 22000        | 9000           |
| 21.4        | 924        | 1.5 | 81.39  | S103            | TS100LA4 | 22000        | 9000           |
| 21.2        | 960        | 1.2 | 55.14  | S102            | TH112M6  | 22000        | 9000           |
| 21.0        | 968        | 1.1 | 55.14  | S102            | TS112MA6 | 22000        | 9000           |
| 20.3        | 974        | 2.6 | 87.27  | S123            | TP112MR4 | 30000        | 11200          |
| 19.9        | 990        | 2.6 | 87.27  | S123            | TH100LA4 | 30000        | 11200          |
| 19.9        | 990        | 2.6 | 87.27  | S123            | TS100LA4 | 30000        | 11200          |
| 19.7        | 1034       | 1.3 | 59.40  | S102            | TH112M6  | 22000        | 9000           |
| 19.5        | 1043       | 1.3 | 59.40  | S102            | TS112MA6 | 22000        | 9000           |
| 17.7        | 1117       | 1.2 | 100.15 | S103            | TP112MR4 | 22000        | 9000           |
| 17.7        | 1149       | 2.2 | 66.00  | S122            | TH112M6  | 30000        | 11200          |
| 17.6        | 1159       | 2.2 | 66.00  | S122            | TS112MA6 | 30000        | 11200          |
| 17.4        | 1137       | 1.2 | 100.15 | S103            | TH100LA4 | 22000        | 9000           |
| 17.4        | 1137       | 1.2 | 100.15 | S103            | TS100LA4 | 22000        | 9000           |
| 17.2        | 1181       | 1.2 | 67.84  | S102            | TH112M6  | 22000        | 9000           |
| 17.1        | 1191       | 1.1 | 67.84  | S102            | TS112MA6 | 22000        | 9000           |
| 16.5        | 1212       | 1.9 | 71.07  | S123            | TH112M6  | 30000        | 11200          |
| 16.3        | 1222       | 1.9 | 71.07  | S123            | TS112MA6 | 30000        | 11200          |
| 16.0        | 1233       | 1.1 | 110.55 | S103            | TP112MR4 | 22000        | 9000           |
| 15.8        | 1265       | 1.1 | 74.18  | S103            | TH112M6  | 22000        | 9000           |
| 15.7        | 1255       | 1.1 | 110.55 | S103            | TH100LA4 | 22000        | 9000           |
| 15.7        | 1255       | 1.1 | 110.55 | S103            | TS100LA4 | 22000        | 9000           |
| 15.7        | 1255       | 2.0 | 112.52 | S123            | TP112MR4 | 30000        | 11200          |
| 15.6        | 1276       | 1.1 | 74.18  | S103            | TS112MA6 | 22000        | 9000           |

## 5.2 S GEARED MOTORS (60Hz)

## 2.20 kW

| n2 [rpm] | M2 [Nm] | fs  | i      | Gear reducer | Motor    | Fr2 D [N] | Fr2 C-L [N] |
|----------|---------|-----|--------|--------------|----------|-----------|-------------|
| 15.5     | 1277    | 2.0 | 112.52 | S123         | TH100LA4 | 30000     | 11200       |
| 15.5     | 1277    | 2.0 | 112.52 | S123         | TS100LA4 | 30000     | 11200       |
| 14.4     | 1376    | 1.9 | 123.33 | S123         | TP112MR4 | 30000     | 11200       |
| 14.1     | 1400    | 1.8 | 123.33 | S123         | TH100LA4 | 30000     | 11200       |
| 14.1     | 1400    | 1.8 | 123.33 | S123         | TS100LA4 | 30000     | 11200       |
| 13.4     | 1488    | 1.7 | 87.27  | S123         | TH112M6  | 30000     | 11200       |
| 13.3     | 1501    | 1.7 | 87.27  | S123         | TS112MA6 | 30000     | 11200       |
| 13.2     | 1493    | 1.7 | 133.78 | S123         | TP112MR4 | 30000     | 11200       |
| 13.0     | 1518    | 1.7 | 133.78 | S123         | TH100LA4 | 30000     | 11200       |
| 13.0     | 1518    | 1.7 | 133.78 | S123         | TS100LA4 | 30000     | 11200       |
| 11.7     | 1690    | 1.5 | 151.43 | S123         | TP112MR4 | 30000     | 11200       |
| 11.5     | 1719    | 1.5 | 151.43 | S123         | TH100LA4 | 30000     | 11200       |
| 11.5     | 1719    | 1.5 | 151.43 | S123         | TS100LA4 | 30000     | 11200       |
| 10.4     | 1918    | 1.3 | 112.52 | S123         | TH112M6  | 30000     | 11200       |
| 10.3     | 1935    | 1.3 | 112.52 | S123         | TS112MA6 | 30000     | 11200       |
| 10.0     | 1981    | 1.3 | 177.53 | S123         | TP112MR4 | 30000     | 11200       |
| 9.8      | 2015    | 1.3 | 177.53 | S123         | TH100LA4 | 30000     | 11200       |
| 9.8      | 2015    | 1.3 | 177.53 | S123         | TS100LA4 | 30000     | 11200       |
| 9.5      | 2103    | 1.2 | 123.33 | S123         | TH112M6  | 30000     | 11200       |
| 9.4      | 2121    | 1.2 | 123.33 | S123         | TS112MA6 | 30000     | 11200       |
| 9.1      | 2171    | 1.2 | 194.59 | S123         | TP112MR4 | 30000     | 11200       |
| 8.9      | 2209    | 1.2 | 194.59 | S123         | TH100LA4 | 30000     | 11200       |
| 8.9      | 2209    | 1.2 | 194.59 | S123         | TS100LA4 | 30000     | 11200       |
| 8.7      | 2281    | 1.1 | 133.78 | S123         | TH112M6  | 30000     | 11200       |
| 8.7      | 2300    | 1.1 | 133.78 | S123         | TS112MA6 | 30000     | 11200       |

## 3.00 kW

| n2 [rpm] | M2 [Nm] | fs  | i    | Gear reducer | Motor    | Fr2 D [N] | Fr2 C-L [N] |
|----------|---------|-----|------|--------------|----------|-----------|-------------|
| 220.0    | 125     | 1.9 | 8.00 | S062         | TP112MS4 | 5993      | 2397        |
| 217.5    | 126     | 1.9 | 8.00 | S062         | TH100LB4 | 6009      | 2404        |
| 217.5    | 126     | 1.9 | 8.00 | S062         | TS100LB4 | 6009      | 2404        |
| 184.4    | 149     | 1.7 | 9.55 | S062         | TP112MS4 | 6247      | 2499        |
| 182.3    | 151     | 1.7 | 9.55 | S062         | TH100LB4 | 6263      | 2505        |
| 182.3    | 151     | 1.7 | 9.55 | S062         | TS100LB4 | 6263      | 2505        |
| 177.0    | 155     | 3.0 | 9.94 | S082         | TP112MS4 | 13673     | 3907        |
| 175.0    | 157     | 3.0 | 9.94 | S082         | TH100LB4 | 13721     | 3920        |
| 175.0    | 157     | 3.0 | 9.94 | S082         | TS100LB4 | 13721     | 3920        |
| 159.4    | 174     | 2.3 | 7.34 | S082         | TH132S6  | 14109     | 4031        |
| 159.4    | 174     | 2.3 | 7.34 | S082         | TS132SA6 | 14109     | 4031        |
| 158.1    | 176     | 2.3 | 7.34 | S082         | TS112MB6 | 14146     | 4042        |



## 5.2 S GEARED MOTORS (60Hz)

## 3.00 kW

| n2<br>[rpm] | M2<br>[Nm] | fs  | i     | Gear<br>reducer | Motor    | Fr2<br>D [N] | Fr2<br>C-L [N] |
|-------------|------------|-----|-------|-----------------|----------|--------------|----------------|
| 151.6       | 181        | 2.8 | 11.61 | S082            | TP112MS4 | 14330        | 4094           |
| 150.3       | 183        | 1.5 | 11.71 | S062            | TP112MS4 | 6534         | 2614           |
| 149.9       | 183        | 2.8 | 11.61 | S082            | TH100LB4 | 14380        | 4108           |
| 149.9       | 183        | 2.8 | 11.61 | S082            | TS100LB4 | 14380        | 4108           |
| 148.6       | 185        | 1.5 | 11.71 | S062            | TH100LB4 | 6550         | 2620           |
| 148.6       | 185        | 1.5 | 11.71 | S062            | TS100LB4 | 6550         | 2620           |
| 145.1       | 191        | 2.3 | 8.06  | S082            | TH132S6  | 14515        | 4147           |
| 145.1       | 191        | 2.3 | 8.06  | S082            | TS132SA6 | 14515        | 4147           |
| 145.0       | 192        | 1.2 | 8.00  | S062            | TS112MB6 | 6571         | 2629           |
| 143.9       | 193        | 2.2 | 8.06  | S082            | TS112MB6 | 14553        | 4158           |
| 138.0       | 199        | 2.7 | 12.75 | S082            | TP112MS4 | 14742        | 4212           |
| 136.5       | 202        | 2.7 | 12.75 | S082            | TH100LB4 | 14792        | 4226           |
| 136.5       | 202        | 2.7 | 12.75 | S082            | TS100LB4 | 14792        | 4226           |
| 131.8       | 209        | 1.4 | 13.36 | S062            | TP112MS4 | 6712         | 2685           |
| 130.3       | 211        | 1.4 | 13.36 | S062            | TH100LB4 | 6728         | 2691           |
| 130.3       | 211        | 1.4 | 13.36 | S062            | TS100LB4 | 6728         | 2691           |
| 121.5       | 229        | 1.1 | 9.55  | S062            | TS112MB6 | 6804         | 2722           |
| 117.7       | 236        | 2.0 | 9.94  | S082            | TH132S6  | 15454        | 4415           |
| 117.7       | 236        | 2.0 | 9.94  | S082            | TS132SA6 | 15454        | 4415           |
| 116.7       | 238        | 2.0 | 9.94  | S082            | TS112MB6 | 15493        | 4427           |
| 110.4       | 249        | 1.3 | 15.94 | S062            | TP112MS4 | 6939         | 2776           |
| 109.2       | 252        | 1.3 | 15.94 | S062            | TH100LB4 | 6953         | 2781           |
| 109.2       | 252        | 1.3 | 15.94 | S062            | TS100LB4 | 6953         | 2781           |
| 107.5       | 258        | 2.7 | 10.88 | S102            | TH132S6  | 19677        | 5622           |
| 107.5       | 258        | 2.7 | 10.88 | S102            | TS132SA6 | 19677        | 5622           |
| 106.6       | 261        | 2.6 | 10.88 | S102            | TS112MB6 | 19729        | 5637           |
| 101.8       | 270        | 2.1 | 17.29 | S082            | TP112MS4 | 16138        | 4611           |
| 100.8       | 276        | 1.8 | 11.61 | S082            | TH132S6  | 16173        | 4621           |
| 100.8       | 276        | 1.8 | 11.61 | S082            | TS132SA6 | 16173        | 4621           |
| 100.6       | 273        | 2.0 | 17.29 | S082            | TH100LB4 | 16192        | 4626           |
| 100.6       | 273        | 2.0 | 17.29 | S082            | TS100LB4 | 16192        | 4626           |
| 100.0       | 278        | 1.8 | 11.61 | S082            | TS112MB6 | 16214        | 4633           |
| 99.1        | 280        | 1.0 | 11.71 | S062            | TS112MB6 | 7051         | 2820           |
| 91.8        | 303        | 1.8 | 12.75 | S082            | TH132S6  | 16622        | 4749           |
| 91.8        | 303        | 1.8 | 12.75 | S082            | TS132SA6 | 16622        | 4749           |
| 91.8        | 303        | 2.4 | 12.75 | S102            | TH132S6  | 20653        | 5901           |
| 91.8        | 303        | 2.4 | 12.75 | S102            | TS132SA6 | 20653        | 5901           |
| 91.0        | 305        | 1.8 | 12.75 | S082            | TS112MB6 | 16664        | 4761           |
| 91.0        | 305        | 2.4 | 12.75 | S102            | TS112MB6 | 20707        | 5916           |
| 90.0        | 306        | 1.1 | 19.55 | S062            | TP112MS4 | 7175         | 2870           |
| 89.0        | 309        | 1.1 | 19.55 | S062            | TH100LB4 | 7188         | 2875           |

## 5.2 S GEARED MOTORS (60Hz)

## 3.00 kW

| n2<br>[rpm] | M2<br>[Nm] | fs  | i     | Gear<br>reducer | Motor    | Fr2<br>D [N] | Fr2<br>C-L [N] |
|-------------|------------|-----|-------|-----------------|----------|--------------|----------------|
| 89.0        | 309        | 1.1 | 19.55 | S062            | TS100LB4 | 7188         | 2875           |
| 87.4        | 315        | 1.8 | 20.14 | S082            | TP112MS4 | 16869        | 4820           |
| 86.4        | 318        | 1.7 | 20.14 | S082            | TH100LB4 | 16925        | 4836           |
| 86.4        | 318        | 1.7 | 20.14 | S082            | TS100LB4 | 16925        | 4836           |
| 83.6        | 332        | 2.6 | 13.99 | S102            | TH132S6  | 21243        | 6069           |
| 83.6        | 332        | 2.6 | 13.99 | S102            | TS132SA6 | 21243        | 6069           |
| 82.9        | 335        | 2.6 | 13.99 | S102            | TS112MB6 | 21298        | 6085           |
| 79.5        | 346        | 1.7 | 22.13 | S082            | TP112MS4 | 17332        | 4952           |
| 79.5        | 346        | 2.9 | 22.13 | S102            | TP112MS4 | 21576        | 6165           |
| 78.6        | 350        | 1.6 | 22.13 | S082            | TH100LB4 | 17388        | 4968           |
| 78.6        | 350        | 1.6 | 22.13 | S082            | TS100LB4 | 17388        | 4968           |
| 78.6        | 350        | 2.9 | 22.13 | S102            | TS100LB4 | 21651        | 6186           |
| 78.6        | 350        | 2.9 | 22.13 | S102            | TH100LB4 | 21651        | 6186           |
| 73.3        | 375        | 1.5 | 24.00 | S082            | TP112MS4 | 17738        | 5068           |
| 72.5        | 379        | 1.5 | 24.00 | S082            | TH100LB4 | 17795        | 5084           |
| 72.5        | 379        | 1.5 | 24.00 | S082            | TS100LB4 | 17795        | 5084           |
| 72.5        | 379        | 2.8 | 24.28 | S102            | TP112MS4 | 22000        | 6339           |
| 71.7        | 384        | 2.8 | 24.28 | S102            | TH100LB4 | 22000        | 6361           |
| 71.7        | 384        | 2.8 | 24.28 | S102            | TS100LB4 | 22000        | 6361           |
| 68.0        | 409        | 2.3 | 17.21 | S102            | TH132S6  | 22000        | 6460           |
| 68.0        | 409        | 2.3 | 17.21 | S102            | TS132SA6 | 22000        | 6460           |
| 67.7        | 411        | 1.4 | 17.29 | S082            | TH132S6  | 18000        | 5181           |
| 67.7        | 411        | 1.4 | 17.29 | S082            | TS132SA6 | 18000        | 5181           |
| 67.4        | 412        | 2.3 | 17.21 | S102            | TS112MB6 | 22000        | 6476           |
| 67.1        | 414        | 1.3 | 17.29 | S082            | TS112MB6 | 18000        | 5193           |
| 66.8        | 412        | 2.6 | 26.33 | S102            | TP112MS4 | 22000        | 6496           |
| 66.1        | 416        | 2.6 | 26.33 | S102            | TH100LB4 | 22000        | 6518           |
| 66.1        | 416        | 2.6 | 26.33 | S102            | TS100LB4 | 22000        | 6518           |
| 64.5        | 426        | 1.5 | 27.29 | S082            | TP112MS4 | 18000        | 5254           |
| 63.8        | 431        | 1.5 | 27.29 | S082            | TH100LB4 | 18000        | 5271           |
| 63.8        | 431        | 1.5 | 27.29 | S082            | TS100LB4 | 18000        | 5271           |
| 61.6        | 451        | 2.2 | 19.00 | S102            | TH132S6  | 22000        | 6653           |
| 61.6        | 451        | 2.2 | 19.00 | S102            | TS132SA6 | 22000        | 6653           |
| 61.4        | 448        | 1.5 | 28.67 | S082            | TP112MS4 | 18000        | 5327           |
| 61.1        | 455        | 2.2 | 19.00 | S102            | TS112MB6 | 22000        | 6669           |
| 60.7        | 453        | 1.4 | 28.67 | S082            | TH100LB4 | 18000        | 5344           |
| 60.7        | 453        | 1.4 | 28.67 | S082            | TS100LB4 | 18000        | 5344           |
| 58.9        | 467        | 2.3 | 29.87 | S102            | TP112MS4 | 22000        | 6743           |
| 58.3        | 472        | 2.3 | 29.87 | S102            | TH100LB4 | 22000        | 6766           |
| 58.3        | 472        | 2.3 | 29.87 | S102            | TS100LB4 | 22000        | 6766           |
| 58.1        | 478        | 1.2 | 20.14 | S082            | TH132S6  | 18000        | 5404           |

## 5.2 S GEARED MOTORS (60Hz)

## 3.00 kW

| n <sub>2</sub><br>[rpm] | M <sub>2</sub><br>[Nm] | f <sub>s</sub> | i     | Gear<br>reducer | Motor    | Fr <sub>2</sub><br>D [N] | Fr <sub>2</sub><br>C-L [N] |
|-------------------------|------------------------|----------------|-------|-----------------|----------|--------------------------|----------------------------|
| 58.1                    | 478                    | 1.2            | 20.14 | S082            | TS132SA6 | 18000                    | 5404                       |
| 57.6                    | 482                    | 1.2            | 20.14 | S082            | TS112MB6 | 18000                    | 5417                       |
| 55.4                    | 497                    | 1.7            | 31.78 | S082            | TP112MS4 | 18000                    | 5480                       |
| 54.8                    | 502                    | 1.7            | 31.78 | S082            | TH100LB4 | 18000                    | 5497                       |
| 54.8                    | 502                    | 1.7            | 31.78 | S082            | TS100LB4 | 18000                    | 5497                       |
| 54.3                    | 506                    | 2.5            | 32.40 | S102            | TP112MS4 | 22000                    | 6907                       |
| 53.7                    | 512                    | 2.5            | 32.40 | S102            | TH100LB4 | 22000                    | 6930                       |
| 53.7                    | 512                    | 2.5            | 32.40 | S102            | TS100LB4 | 22000                    | 6930                       |
| 52.9                    | 525                    | 1.1            | 22.13 | S082            | TH132S6  | 18000                    | 5544                       |
| 52.9                    | 525                    | 1.1            | 22.13 | S082            | TS132SA6 | 18000                    | 5544                       |
| 52.9                    | 525                    | 1.9            | 22.13 | S102            | TH132S6  | 22000                    | 6958                       |
| 52.9                    | 525                    | 1.9            | 22.13 | S102            | TS132SA6 | 22000                    | 6958                       |
| 52.4                    | 530                    | 1.1            | 22.13 | S082            | TS112MB6 | 18000                    | 5557                       |
| 52.4                    | 530                    | 1.9            | 22.13 | S102            | TS112MB6 | 22000                    | 6975                       |
| 50.4                    | 546                    | 1.6            | 34.91 | S082            | TP112MS4 | 18000                    | 5621                       |
| 50.4                    | 546                    | 2.2            | 34.91 | S102            | TP112MS4 | 22000                    | 7059                       |
| 49.8                    | 552                    | 1.5            | 34.91 | S082            | TH100LB4 | 18000                    | 5639                       |
| 49.8                    | 552                    | 1.5            | 34.91 | S082            | TS100LB4 | 18000                    | 5639                       |
| 49.8                    | 552                    | 2.2            | 34.91 | S102            | TH100LB4 | 22000                    | 7083                       |
| 49.8                    | 552                    | 2.2            | 34.91 | S102            | TS100LB4 | 22000                    | 7083                       |
| 48.8                    | 570                    | 1.0            | 24.00 | S082            | TH132S6  | 18000                    | 5667                       |
| 48.8                    | 570                    | 1.0            | 24.00 | S082            | TS132SA6 | 18000                    | 5667                       |
| 48.3                    | 575                    | 1.0            | 24.00 | S082            | TS112MB6 | 18000                    | 5680                       |
| 48.2                    | 576                    | 1.9            | 24.28 | S102            | TH132S6  | 22000                    | 7148                       |
| 48.2                    | 576                    | 1.9            | 24.28 | S102            | TS132SA6 | 22000                    | 7148                       |
| 47.8                    | 581                    | 1.9            | 24.28 | S102            | TS112MB6 | 22000                    | 7166                       |
| 45.9                    | 599                    | 2.1            | 38.30 | S102            | TP112MS4 | 22000                    | 7252                       |
| 45.4                    | 605                    | 2.1            | 38.30 | S102            | TH100LB4 | 22000                    | 7276                       |
| 45.4                    | 605                    | 2.1            | 38.30 | S102            | TS100LB4 | 22000                    | 7276                       |
| 44.4                    | 625                    | 1.7            | 26.33 | S102            | TH132S6  | 22000                    | 7318                       |
| 44.4                    | 625                    | 1.7            | 26.33 | S102            | TS132SA6 | 22000                    | 7318                       |
| 44.1                    | 631                    | 1.7            | 26.33 | S102            | TS112MB6 | 22000                    | 7336                       |
| 43.9                    | 626                    | 1.4            | 40.05 | S082            | TP112MS4 | 18000                    | 5830                       |
| 43.4                    | 633                    | 1.3            | 40.05 | S082            | TH100LB4 | 18000                    | 5848                       |
| 43.4                    | 633                    | 1.3            | 40.05 | S082            | TS100LB4 | 18000                    | 5848                       |
| 42.9                    | 648                    | 1.0            | 27.29 | S082            | TH132S6  | 18000                    | 5862                       |
| 42.9                    | 648                    | 1.0            | 27.29 | S082            | TS132SA6 | 18000                    | 5862                       |
| 40.9                    | 673                    | 1.3            | 43.05 | S082            | TP112MS4 | 18000                    | 5941                       |
| 40.4                    | 681                    | 1.2            | 43.05 | S082            | TH100LB4 | 18000                    | 5959                       |
| 40.4                    | 681                    | 1.2            | 43.05 | S082            | TS100LB4 | 18000                    | 5959                       |
| 40.0                    | 688                    | 1.6            | 44.00 | S102            | TP112MS4 | 22000                    | 7546                       |

## 5.2 S GEARED MOTORS (60Hz)

## 3.00 kW

| n <sub>2</sub><br>[rpm] | M <sub>2</sub><br>[Nm] | f <sub>s</sub> | i     | Gear<br>reducer | Motor    | Fr <sub>2</sub><br>D [N] | Fr <sub>2</sub><br>C-L [N] |
|-------------------------|------------------------|----------------|-------|-----------------|----------|--------------------------|----------------------------|
| 39.5                    | 696                    | 1.6            | 44.00 | S102            | TH100LB4 | 22000                    | 7571                       |
| 39.5                    | 696                    | 1.6            | 44.00 | S102            | TS100LB4 | 22000                    | 7571                       |
| 39.2                    | 709                    | 1.5            | 29.87 | S102            | TH132S6  | 22000                    | 7586                       |
| 39.2                    | 709                    | 1.5            | 29.87 | S102            | TS132SA6 | 22000                    | 7586                       |
| 38.8                    | 715                    | 1.5            | 29.87 | S102            | TS112MB6 | 22000                    | 7605                       |
| 37.3                    | 736                    | 1.9            | 47.13 | S102            | TP112MS4 | 22000                    | 7695                       |
| 36.9                    | 745                    | 1.8            | 47.13 | S102            | TH100LB4 | 22000                    | 7720                       |
| 36.9                    | 745                    | 1.8            | 47.13 | S102            | TS100LB4 | 22000                    | 7720                       |
| 36.8                    | 754                    | 1.1            | 31.78 | S082            | TH132S6  | 18000                    | 6095                       |
| 36.8                    | 754                    | 1.1            | 31.78 | S082            | TS132SA6 | 18000                    | 6095                       |
| 36.5                    | 761                    | 1.1            | 31.78 | S082            | TS112MB6 | 18000                    | 6109                       |
| 36.1                    | 769                    | 1.7            | 32.40 | S102            | TH132S6  | 22000                    | 7762                       |
| 36.1                    | 769                    | 1.7            | 32.40 | S102            | TS132SA6 | 22000                    | 7762                       |
| 35.9                    | 766                    | 2.7            | 49.04 | S122            | TP112MS4 | 30000                    | 11116                      |
| 35.8                    | 776                    | 1.6            | 32.40 | S102            | TS112MB6 | 22000                    | 7781                       |
| 35.5                    | 775                    | 2.6            | 49.04 | S122            | TH100LB4 | 30000                    | 11151                      |
| 35.5                    | 775                    | 2.6            | 49.04 | S122            | TS100LB4 | 30000                    | 11151                      |
| 35.0                    | 785                    | 1.1            | 50.25 | S082            | TP112MS4 | 18000                    | 6180                       |
| 35.0                    | 794                    | 3.2            | 33.44 | S122            | TH132S6  | 30000                    | 11187                      |
| 35.0                    | 794                    | 3.2            | 33.44 | S122            | TS132SA6 | 30000                    | 11187                      |
| 34.7                    | 801                    | 3.2            | 33.44 | S122            | TS112MB6 | 30000                    | 11200                      |
| 34.6                    | 794                    | 1.1            | 50.25 | S082            | TH100LB4 | 18000                    | 6197                       |
| 34.6                    | 794                    | 1.1            | 50.25 | S082            | TS100LB4 | 18000                    | 6197                       |
| 33.5                    | 829                    | 1.0            | 34.91 | S082            | TH132S6  | 18000                    | 6240                       |
| 33.5                    | 829                    | 1.0            | 34.91 | S082            | TS132SA6 | 18000                    | 6240                       |
| 33.5                    | 829                    | 1.4            | 34.91 | S102            | TH132S6  | 22000                    | 7926                       |
| 33.5                    | 829                    | 1.4            | 34.91 | S102            | TS132SA6 | 22000                    | 7926                       |
| 33.2                    | 836                    | 1.0            | 34.91 | S082            | TS112MB6 | 18000                    | 6253                       |
| 33.2                    | 836                    | 1.4            | 34.91 | S102            | TS112MB6 | 22000                    | 7945                       |
| 33.2                    | 836                    | 3.1            | 35.20 | S122            | TH132S6  | 30000                    | 11200                      |
| 33.2                    | 836                    | 3.1            | 35.20 | S122            | TS132SA6 | 30000                    | 11200                      |
| 33.0                    | 843                    | 3.0            | 35.20 | S122            | TS112MB6 | 30000                    | 11200                      |
| 32.7                    | 840                    | 2.6            | 53.75 | S122            | TP112MS4 | 30000                    | 11200                      |
| 32.4                    | 848                    | 1.0            | 54.27 | S082            | TP112MS4 | 18000                    | 6299                       |
| 32.4                    | 850                    | 2.6            | 53.75 | S122            | TH100LB4 | 30000                    | 11200                      |
| 32.4                    | 850                    | 2.6            | 53.75 | S122            | TS100LB4 | 30000                    | 11200                      |
| 31.9                    | 862                    | 1.3            | 55.14 | S102            | TP112MS4 | 22000                    | 8040                       |
| 31.6                    | 872                    | 1.3            | 55.14 | S102            | TH100LB4 | 22000                    | 8065                       |
| 31.6                    | 872                    | 1.3            | 55.14 | S102            | TS100LB4 | 22000                    | 8065                       |
| 30.5                    | 909                    | 1.4            | 38.30 | S102            | TH132S6  | 22000                    | 8132                       |
| 30.5                    | 909                    | 1.4            | 38.30 | S102            | TS132SA6 | 22000                    | 8132                       |

## 5.2 S GEARED MOTORS (60Hz)

## 3.00 kW

| n <sub>2</sub><br>[rpm] | M <sub>2</sub><br>[Nm] | f <sub>s</sub> | i     | Gear<br>reducer | Motor    | Fr <sub>2</sub><br>D [N] | Fr <sub>2</sub><br>C-L [N] |
|-------------------------|------------------------|----------------|-------|-----------------|----------|--------------------------|----------------------------|
| 30.3                    | 917                    | 1.4            | 38.30 | S102            | TS112MB6 | 22000                    | 8151                       |
| 29.6                    | 928                    | 1.5            | 59.40 | S102            | TP112MS4 | 22000                    | 8206                       |
| 29.3                    | 939                    | 1.5            | 59.40 | S102            | TH100LB4 | 22000                    | 8232                       |
| 29.3                    | 939                    | 1.5            | 59.40 | S102            | TS100LB4 | 22000                    | 8232                       |
| 28.5                    | 975                    | 2.6            | 41.07 | S122            | TH132S6  | 30000                    | 11200                      |
| 28.5                    | 975                    | 2.6            | 41.07 | S122            | TS132SA6 | 30000                    | 11200                      |
| 28.2                    | 983                    | 2.6            | 41.07 | S122            | TS112MB6 | 30000                    | 11200                      |
| 26.8                    | 1035                   | 2.5            | 43.60 | S122            | TH132S6  | 30000                    | 11200                      |
| 26.8                    | 1035                   | 2.5            | 43.60 | S122            | TS132SA6 | 30000                    | 11200                      |
| 26.7                    | 1031                   | 2.5            | 66.00 | S122            | TP112MS4 | 30000                    | 11200                      |
| 26.6                    | 1044                   | 2.5            | 43.60 | S122            | TS112MB6 | 30000                    | 11200                      |
| 26.4                    | 1054                   | 1.1            | 44.00 | S102            | TS112MB6 | 22000                    | 8463                       |
| 26.4                    | 1043                   | 2.5            | 66.00 | S122            | TH100LB4 | 30000                    | 11200                      |
| 26.4                    | 1043                   | 2.5            | 66.00 | S122            | TS100LB4 | 30000                    | 11200                      |
| 25.9                    | 1060                   | 1.3            | 67.84 | S102            | TP112MS4 | 22000                    | 8507                       |
| 25.6                    | 1072                   | 1.3            | 67.84 | S102            | TH100LB4 | 22000                    | 8533                       |
| 25.6                    | 1072                   | 1.3            | 67.84 | S102            | TS100LB4 | 22000                    | 8533                       |
| 24.8                    | 1119                   | 1.2            | 47.13 | S102            | TH132S6  | 22000                    | 8600                       |
| 24.8                    | 1119                   | 1.2            | 47.13 | S102            | TS132SA6 | 22000                    | 8600                       |
| 24.8                    | 1087                   | 2.1            | 71.07 | S123            | TP112MS4 | 30000                    | 11200                      |
| 24.6                    | 1129                   | 1.2            | 47.13 | S102            | TS112MB6 | 22000                    | 8619                       |
| 24.5                    | 1100                   | 2.1            | 71.07 | S123            | TH100LB4 | 30000                    | 11200                      |
| 24.5                    | 1100                   | 2.1            | 71.07 | S123            | TS100LB4 | 30000                    | 11200                      |
| 23.9                    | 1164                   | 1.8            | 49.04 | S122            | TH132S6  | 30000                    | 11200                      |
| 23.9                    | 1164                   | 1.8            | 49.04 | S122            | TS132SA6 | 30000                    | 11200                      |
| 23.7                    | 1135                   | 1.2            | 74.18 | S103            | TP112MS4 | 22000                    | 8730                       |
| 23.7                    | 1174                   | 1.7            | 49.04 | S122            | TS112MB6 | 30000                    | 11200                      |
| 23.5                    | 1148                   | 1.2            | 74.18 | S103            | TH100LB4 | 22000                    | 8756                       |
| 23.5                    | 1148                   | 1.2            | 74.18 | S103            | TS100LB4 | 22000                    | 8756                       |
| 21.8                    | 1276                   | 1.7            | 53.75 | S122            | TH132S6  | 30000                    | 11200                      |
| 21.8                    | 1276                   | 1.7            | 53.75 | S122            | TS132SA6 | 30000                    | 11200                      |
| 21.6                    | 1245                   | 1.1            | 81.39 | S103            | TP112MS4 | 22000                    | 8946                       |
| 21.6                    | 1287                   | 1.7            | 53.75 | S122            | TS112MB6 | 30000                    | 11200                      |
| 21.4                    | 1260                   | 1.1            | 81.39 | S103            | TH100LB4 | 22000                    | 8972                       |
| 21.4                    | 1260                   | 1.1            | 81.39 | S103            | TS100LB4 | 22000                    | 8972                       |
| 20.2                    | 1335                   | 1.9            | 87.27 | S123            | TP112MS4 | 30000                    | 11200                      |
| 19.9                    | 1351                   | 1.9            | 87.27 | S123            | TH100LB4 | 30000                    | 11200                      |
| 19.9                    | 1351                   | 1.9            | 87.27 | S123            | TS100LB4 | 30000                    | 11200                      |
| 17.7                    | 1567                   | 1.6            | 66.00 | S122            | TH132S6  | 30000                    | 11200                      |
| 17.7                    | 1567                   | 1.6            | 66.00 | S122            | TS132SA6 | 30000                    | 11200                      |
| 17.6                    | 1581                   | 1.6            | 66.00 | S122            | TS112MB6 | 30000                    | 11200                      |

## 5.2 S GEARED MOTORS (60Hz)

## 3.00 kW

| n2 [rpm] | M2 [Nm] | fs  | i      | Gear reducer | Motor    | Fr2 D [N] | Fr2 C-L [N] |
|----------|---------|-----|--------|--------------|----------|-----------|-------------|
| 16.5     | 1652    | 1.4 | 71.07  | S123         | TH132S6  | 30000     | 11200       |
| 16.5     | 1652    | 1.4 | 71.07  | S123         | TS132SA6 | 30000     | 11200       |
| 16.3     | 1666    | 1.4 | 71.07  | S123         | TS112MB6 | 30000     | 11200       |
| 15.6     | 1722    | 1.5 | 112.52 | S123         | TP112MS4 | 30000     | 11200       |
| 15.5     | 1741    | 1.5 | 112.52 | S123         | TH100LB4 | 30000     | 11200       |
| 15.5     | 1741    | 1.5 | 112.52 | S123         | TS100LB4 | 30000     | 11200       |
| 14.3     | 1887    | 1.4 | 123.33 | S123         | TP112MS4 | 30000     | 11200       |
| 14.1     | 1909    | 1.3 | 123.33 | S123         | TH100LB4 | 30000     | 11200       |
| 14.1     | 1909    | 1.3 | 123.33 | S123         | TS100LB4 | 30000     | 11200       |
| 13.4     | 2029    | 1.3 | 87.27  | S123         | TH132S6  | 30000     | 11200       |
| 13.4     | 2029    | 1.3 | 87.27  | S123         | TS132SA6 | 30000     | 11200       |
| 13.3     | 2046    | 1.3 | 87.27  | S123         | TS112MB6 | 30000     | 11200       |
| 13.2     | 2047    | 1.3 | 133.78 | S123         | TP112MS4 | 30000     | 11200       |
| 13.0     | 2071    | 1.2 | 133.78 | S123         | TH100LB4 | 30000     | 11200       |
| 13.0     | 2071    | 1.2 | 133.78 | S123         | TS100LB4 | 30000     | 11200       |
| 11.6     | 2317    | 1.1 | 151.43 | S123         | TP112MS4 | 30000     | 11200       |
| 11.5     | 2344    | 1.1 | 151.43 | S123         | TH100LB4 | 30000     | 11200       |
| 11.5     | 2344    | 1.1 | 151.43 | S123         | TS100LB4 | 30000     | 11200       |

## 4.00 kW

| n2 [rpm] | M2 [Nm] | fs  | i     | Gear reducer | Motor    | Fr2 D [N] | Fr2 C-L [N] |
|----------|---------|-----|-------|--------------|----------|-----------|-------------|
| 239.8    | 153     | 2.6 | 7.34  | S082         | TH112M4  | 12328     | 3522        |
| 239.8    | 153     | 2.6 | 7.34  | S082         | TP112M4  | 12328     | 3522        |
| 238.5    | 154     | 2.6 | 7.34  | S082         | TS112MA4 | 12350     | 3528        |
| 220.0    | 167     | 1.4 | 8.00  | S062         | TH112M4  | 5728      | 2291        |
| 220.0    | 167     | 1.4 | 8.00  | S062         | TP112M4  | 5728      | 2291        |
| 218.8    | 168     | 1.4 | 8.00  | S062         | TS112MA4 | 5735      | 2294        |
| 218.3    | 168     | 2.6 | 8.06  | S082         | TH112M4  | 12683     | 3624        |
| 218.3    | 168     | 2.6 | 8.06  | S082         | TP112M4  | 12683     | 3624        |
| 217.1    | 169     | 2.6 | 8.06  | S082         | TS112MA4 | 12705     | 3630        |
| 184.4    | 199     | 1.3 | 9.55  | S062         | TH112M4  | 5932      | 2373        |
| 184.4    | 199     | 1.3 | 9.55  | S062         | TP112M4  | 5932      | 2373        |
| 183.3    | 200     | 1.3 | 9.55  | S062         | TS112MA4 | 5938      | 2375        |
| 177.0    | 207     | 2.3 | 9.94  | S082         | TH112M4  | 13503     | 3858        |
| 177.0    | 207     | 2.3 | 9.94  | S082         | TP112M4  | 13503     | 3858        |
| 176.0    | 208     | 2.3 | 9.94  | S082         | TS112MA4 | 13526     | 3864        |
| 161.7    | 227     | 3.0 | 10.88 | S102         | TH112M4  | 17194     | 4913        |
| 161.7    | 227     | 3.0 | 10.88 | S102         | TP112M4  | 17194     | 4913        |
| 160.8    | 228     | 3.0 | 10.88 | S102         | TS112MA4 | 17224     | 4921        |
| 159.4    | 232     | 1.7 | 7.34  | S082         | TH132MA6 | 13918     | 3977        |

## 4.00 kW

| n2<br>[rpm] | M2<br>[Nm] | fs  | i     | Gear<br>reducer | Motor    | Fr2<br>D [N] | Fr2<br>C-L [N] |
|-------------|------------|-----|-------|-----------------|----------|--------------|----------------|
| 159.4       | 232        | 1.7 | 7.34  | S082            | TS132MA6 | 13918        | 3977           |
| 151.6       | 242        | 2.1 | 11.61 | S082            | TH112M4  | 14131        | 4038           |
| 151.6       | 242        | 2.1 | 11.61 | S082            | TP112M4  | 14131        | 4038           |
| 150.8       | 243        | 2.1 | 11.61 | S082            | TS112MA4 | 14155        | 4044           |
| 150.3       | 244        | 1.2 | 11.71 | S062            | TH112M4  | 6147         | 2459           |
| 150.3       | 244        | 1.2 | 11.71 | S062            | TP112M4  | 6147         | 2459           |
| 149.5       | 245        | 1.1 | 11.71 | S062            | TS112MA4 | 6153         | 2461           |
| 145.1       | 255        | 1.7 | 8.06  | S082            | TH132MA6 | 14306        | 4087           |
| 145.1       | 255        | 1.7 | 8.06  | S082            | TS132MA6 | 14306        | 4087           |
| 145.1       | 255        | 2.4 | 8.06  | S102            | TH132MA6 | 17767        | 5076           |
| 145.1       | 255        | 2.4 | 8.06  | S102            | TS132MA6 | 17767        | 5076           |
| 138.0       | 266        | 2.0 | 12.75 | S082            | TH112M4  | 14523        | 4150           |
| 138.0       | 266        | 2.0 | 12.75 | S082            | TP112M4  | 14523        | 4150           |
| 138.0       | 266        | 2.7 | 12.75 | S102            | TH112M4  | 18046        | 5156           |
| 138.0       | 266        | 2.7 | 12.75 | S102            | TP112M4  | 18046        | 5156           |
| 137.3       | 267        | 2.0 | 12.75 | S082            | TS112MA4 | 14547        | 4156           |
| 137.3       | 267        | 2.7 | 12.75 | S102            | TS112MA4 | 18078        | 5165           |
| 132.3       | 280        | 2.3 | 8.85  | S102            | TH132MA6 | 18275        | 5222           |
| 132.3       | 280        | 2.3 | 8.85  | S102            | TS132MA6 | 18275        | 5222           |
| 131.8       | 278        | 1.1 | 13.36 | S062            | TH112M4  | 6271         | 2509           |
| 131.8       | 278        | 1.1 | 13.36 | S062            | TP112M4  | 6271         | 2509           |
| 131.0       | 280        | 1.1 | 13.36 | S062            | TS112MA4 | 6276         | 2511           |
| 125.8       | 291        | 3.0 | 13.99 | S102            | TH112M4  | 18562        | 5303           |
| 125.8       | 291        | 3.0 | 13.99 | S102            | TP112M4  | 18562        | 5303           |
| 125.1       | 293        | 3.0 | 13.99 | S102            | TS112MA4 | 18594        | 5313           |
| 117.7       | 315        | 1.5 | 9.94  | S082            | TH132MA6 | 15195        | 4342           |
| 117.7       | 315        | 1.5 | 9.94  | S082            | TS132MA6 | 15195        | 4342           |
| 107.5       | 345        | 2.0 | 10.88 | S102            | TH132MA6 | 19454        | 5558           |
| 107.5       | 345        | 2.0 | 10.88 | S102            | TS132MA6 | 19454        | 5558           |
| 102.3       | 359        | 2.6 | 17.21 | S102            | TH112M4  | 19756        | 5644           |
| 102.3       | 359        | 2.6 | 17.21 | S102            | TP112M4  | 19756        | 5644           |
| 101.8       | 360        | 1.5 | 17.29 | S082            | TH112M4  | 15842        | 4526           |
| 101.8       | 360        | 1.5 | 17.29 | S082            | TP112M4  | 15842        | 4526           |
| 101.7       | 361        | 2.6 | 17.21 | S102            | TS112MA4 | 19789        | 5654           |
| 101.2       | 362        | 1.5 | 17.29 | S082            | TS112MA4 | 15867        | 4533           |
| 100.8       | 367        | 1.4 | 11.61 | S082            | TH132MA6 | 15872        | 4535           |
| 100.8       | 367        | 1.4 | 11.61 | S082            | TS132MA6 | 15872        | 4535           |
| 92.6        | 396        | 2.6 | 19.00 | S102            | TH112M4  | 20345        | 5813           |
| 92.6        | 396        | 2.6 | 19.00 | S102            | TP112M4  | 20345        | 5813           |
| 92.1        | 398        | 2.5 | 19.00 | S102            | TS112MA4 | 20379        | 5823           |
| 91.8        | 404        | 1.3 | 12.75 | S082            | TH132MA6 | 16291        | 4655           |

## 4.00 kW

| n2<br>[rpm] | M2<br>[Nm] | fs  | i     | Gear<br>reducer | Motor    | Fr2<br>D [N] | Fr2<br>C-L [N] |
|-------------|------------|-----|-------|-----------------|----------|--------------|----------------|
| 91.8        | 404        | 1.3 | 12.75 | S082            | TS132MA6 | 16291        | 4655           |
| 91.8        | 404        | 1.8 | 12.75 | S102            | TH132MA6 | 20391        | 5826           |
| 91.8        | 404        | 1.8 | 12.75 | S102            | TS132MA6 | 20391        | 5826           |
| 87.4        | 420        | 1.3 | 20.14 | S082            | TH112M4  | 16525        | 4721           |
| 87.4        | 420        | 1.3 | 20.14 | S082            | TP112M4  | 16525        | 4721           |
| 86.9        | 422        | 1.3 | 20.14 | S082            | TS112MA4 | 16550        | 4729           |
| 83.6        | 443        | 2.0 | 13.99 | S102            | TH132MA6 | 20956        | 5987           |
| 83.6        | 443        | 2.0 | 13.99 | S102            | TS132MA6 | 20956        | 5987           |
| 79.5        | 461        | 1.2 | 22.13 | S082            | TH112M4  | 16953        | 4844           |
| 79.5        | 461        | 1.2 | 22.13 | S082            | TP112M4  | 16953        | 4844           |
| 79.5        | 461        | 2.2 | 22.13 | S102            | TH112M4  | 21277        | 6079           |
| 79.5        | 461        | 2.2 | 22.13 | S102            | TP112M4  | 21277        | 6079           |
| 79.1        | 464        | 1.2 | 22.13 | S082            | TS112MA4 | 16979        | 4851           |
| 79.1        | 464        | 2.2 | 22.13 | S102            | TS112MA4 | 21312        | 6089           |
| 73.3        | 500        | 1.1 | 24.00 | S082            | TH112M4  | 17327        | 4951           |
| 73.3        | 500        | 1.1 | 24.00 | S082            | TP112M4  | 17327        | 4951           |
| 72.9        | 503        | 1.1 | 24.00 | S082            | TS112MA4 | 17353        | 4958           |
| 72.5        | 506        | 2.1 | 24.28 | S102            | TH112M4  | 21859        | 6246           |
| 72.5        | 506        | 2.1 | 24.28 | S102            | TP112M4  | 21859        | 6246           |
| 72.1        | 509        | 2.1 | 24.28 | S102            | TS112MA4 | 21895        | 6256           |
| 68.0        | 545        | 1.7 | 17.21 | S102            | TH132MA6 | 22000        | 6359           |
| 68.0        | 545        | 1.7 | 17.21 | S102            | TS132MA6 | 22000        | 6359           |
| 67.7        | 548        | 1.0 | 17.29 | S082            | TH132MA6 | 17683        | 5052           |
| 67.7        | 548        | 1.0 | 17.29 | S082            | TS132MA6 | 17683        | 5052           |
| 66.8        | 549        | 2.0 | 26.33 | S102            | TH112M4  | 22000        | 6394           |
| 66.8        | 549        | 2.0 | 26.33 | S102            | TP112M4  | 22000        | 6394           |
| 66.5        | 552        | 2.0 | 26.33 | S102            | TS112MA4 | 22000        | 6404           |
| 64.5        | 569        | 1.1 | 27.29 | S082            | TH112M4  | 17923        | 5121           |
| 64.5        | 569        | 1.1 | 27.29 | S082            | TP112M4  | 17923        | 5121           |
| 64.1        | 572        | 1.1 | 27.29 | S082            | TS112MA4 | 17949        | 5128           |
| 61.6        | 601        | 1.7 | 19.00 | S102            | TH132MA6 | 22000        | 6541           |
| 61.6        | 601        | 1.7 | 19.00 | S102            | TS132MA6 | 22000        | 6541           |
| 61.4        | 597        | 1.1 | 28.67 | S082            | TH112M4  | 18000        | 5187           |
| 61.4        | 597        | 1.1 | 28.67 | S082            | TP112M4  | 18000        | 5187           |
| 61.0        | 601        | 1.1 | 28.67 | S082            | TS112MA4 | 18000        | 5195           |
| 58.9        | 622        | 1.7 | 29.87 | S102            | TH112M4  | 22000        | 6628           |
| 58.9        | 622        | 1.7 | 29.87 | S102            | TP112M4  | 22000        | 6628           |
| 58.6        | 626        | 1.7 | 29.87 | S102            | TS112MA4 | 22000        | 6639           |
| 55.4        | 662        | 1.3 | 31.78 | S082            | TH112M4  | 18000        | 5324           |
| 55.4        | 662        | 1.3 | 31.78 | S082            | TP112M4  | 18000        | 5324           |
| 55.1        | 666        | 1.3 | 31.78 | S082            | TS112MA4 | 18000        | 5332           |



## 5.2 S GEARED MOTORS (60Hz)

## 4.00 kW

| n2<br>[rpm] | M2<br>[Nm] | fs  | i     | Gear<br>reducer | Motor    | Fr2<br>D [N] | Fr2<br>C-L [N] |
|-------------|------------|-----|-------|-----------------|----------|--------------|----------------|
| 54.3        | 675        | 1.9 | 32.40 | S102            | TH112M4  | 22000        | 6782           |
| 54.3        | 675        | 1.9 | 32.40 | S102            | TP112M4  | 22000        | 6782           |
| 54.0        | 679        | 1.9 | 32.40 | S102            | TS112MA4 | 22000        | 6793           |
| 52.9        | 700        | 1.4 | 22.13 | S102            | TH132MA6 | 22000        | 6828           |
| 52.9        | 700        | 1.4 | 22.13 | S102            | TS132MA6 | 22000        | 6828           |
| 50.4        | 727        | 1.2 | 34.91 | S082            | TH112M4  | 18000        | 5451           |
| 50.4        | 727        | 1.2 | 34.91 | S082            | TP112M4  | 18000        | 5451           |
| 50.4        | 727        | 1.6 | 34.91 | S102            | TH112M4  | 22000        | 6924           |
| 50.4        | 727        | 1.6 | 34.91 | S102            | TP112M4  | 22000        | 6924           |
| 50.1        | 732        | 1.2 | 34.91 | S082            | TS112MA4 | 18000        | 5458           |
| 50.1        | 732        | 1.6 | 34.91 | S102            | TS112MA4 | 22000        | 6935           |
| 50.0        | 733        | 3.5 | 35.20 | S122            | TH112M4  | 30000        | 9913           |
| 50.0        | 733        | 3.5 | 35.20 | S122            | TP112M4  | 30000        | 9913           |
| 49.7        | 738        | 3.5 | 35.20 | S122            | TS112MA4 | 30000        | 9929           |
| 48.2        | 769        | 1.4 | 24.28 | S102            | TH132MA6 | 22000        | 7006           |
| 48.2        | 769        | 1.4 | 24.28 | S102            | TS132MA6 | 22000        | 7006           |
| 45.9        | 798        | 1.6 | 38.30 | S102            | TH112M4  | 22000        | 7104           |
| 45.9        | 798        | 1.6 | 38.30 | S102            | TP112M4  | 22000        | 7104           |
| 45.7        | 803        | 1.6 | 38.30 | S102            | TS112MA4 | 22000        | 7115           |
| 44.7        | 828        | 2.6 | 26.15 | S122            | TH132MA6 | 30000        | 10212          |
| 44.7        | 828        | 2.6 | 26.15 | S122            | TS132MA6 | 30000        | 10212          |
| 44.4        | 834        | 1.3 | 26.33 | S102            | TH132MA6 | 22000        | 7164           |
| 44.4        | 834        | 1.3 | 26.33 | S102            | TS132MA6 | 22000        | 7164           |
| 43.9        | 835        | 1.0 | 40.05 | S082            | TH112M4  | 18000        | 5635           |
| 43.9        | 835        | 1.0 | 40.05 | S082            | TP112M4  | 18000        | 5635           |
| 43.7        | 839        | 1.0 | 40.05 | S082            | TS112MA4 | 18000        | 5642           |
| 42.9        | 856        | 3.0 | 41.07 | S122            | TH112M4  | 30000        | 10340          |
| 42.9        | 856        | 3.0 | 41.07 | S122            | TP112M4  | 30000        | 10340          |
| 42.6        | 861        | 3.0 | 41.07 | S122            | TS112MA4 | 30000        | 10356          |
| 40.9        | 905        | 2.4 | 28.60 | S122            | TH132MA6 | 30000        | 10460          |
| 40.9        | 905        | 2.4 | 28.60 | S122            | TS132MA6 | 30000        | 10460          |
| 40.4        | 908        | 2.8 | 43.60 | S122            | TH112M4  | 30000        | 10507          |
| 40.4        | 908        | 2.8 | 43.60 | S122            | TP112M4  | 30000        | 10507          |
| 40.1        | 914        | 2.8 | 43.60 | S122            | TS112MA4 | 30000        | 10523          |
| 40.0        | 917        | 1.2 | 44.00 | S102            | TH112M4  | 22000        | 7376           |
| 40.0        | 917        | 1.2 | 44.00 | S102            | TP112M4  | 22000        | 7376           |
| 39.8        | 922        | 1.2 | 44.00 | S102            | TS112MA4 | 22000        | 7388           |
| 39.2        | 946        | 1.1 | 29.87 | S102            | TH132MA6 | 22000        | 7411           |
| 39.2        | 946        | 1.1 | 29.87 | S102            | TS132MA6 | 22000        | 7411           |
| 38.3        | 966        | 2.7 | 30.51 | S122            | TH132MA6 | 30000        | 10642          |
| 38.3        | 966        | 2.7 | 30.51 | S122            | TS132MA6 | 30000        | 10642          |

## 5.2 S GEARED MOTORS (60Hz)

## 4.00 kW

| n <sub>2</sub><br>[rpm] | M <sub>2</sub><br>[Nm] | f <sub>s</sub> | i     | Gear<br>reducer | Motor    | Fr <sub>2</sub><br>D [N] | Fr <sub>2</sub><br>C-L [N] |
|-------------------------|------------------------|----------------|-------|-----------------|----------|--------------------------|----------------------------|
| 37.3                    | 982                    | 1.4            | 47.13 | S102            | TH112M4  | 22000                    | 7513                       |
| 37.3                    | 982                    | 1.4            | 47.13 | S102            | TP112M4  | 22000                    | 7513                       |
| 37.1                    | 988                    | 1.4            | 47.13 | S102            | TS112MA4 | 22000                    | 7524                       |
| 36.1                    | 1026                   | 1.2            | 32.40 | S102            | TH132MA6 | 22000                    | 7572                       |
| 36.1                    | 1026                   | 1.2            | 32.40 | S102            | TS132MA6 | 22000                    | 7572                       |
| 35.9                    | 1022                   | 2.0            | 49.04 | S122            | TH112M4  | 30000                    | 10839                      |
| 35.9                    | 1022                   | 2.0            | 49.04 | S122            | TP112M4  | 30000                    | 10839                      |
| 35.7                    | 1028                   | 2.0            | 49.04 | S122            | TS112MA4 | 30000                    | 10855                      |
| 35.0                    | 1059                   | 2.4            | 33.44 | S122            | TH132MA6 | 30000                    | 10901                      |
| 35.0                    | 1059                   | 2.4            | 33.44 | S122            | TS132MA6 | 30000                    | 10901                      |
| 33.5                    | 1105                   | 1.1            | 34.91 | S102            | TH132MA6 | 22000                    | 7721                       |
| 33.5                    | 1105                   | 1.1            | 34.91 | S102            | TS132MA6 | 22000                    | 7721                       |
| 33.2                    | 1114                   | 2.3            | 35.20 | S122            | TH132MA6 | 30000                    | 11046                      |
| 33.2                    | 1114                   | 2.3            | 35.20 | S122            | TS132MA6 | 30000                    | 11046                      |
| 32.7                    | 1120                   | 2.0            | 53.75 | S122            | TH112M4  | 30000                    | 11100                      |
| 32.7                    | 1120                   | 2.0            | 53.75 | S122            | TP112M4  | 30000                    | 11100                      |
| 32.6                    | 1126                   | 2.0            | 53.75 | S122            | TS112MA4 | 30000                    | 11116                      |
| 30.5                    | 1213                   | 1.1            | 38.30 | S102            | TH132MA6 | 22000                    | 7907                       |
| 30.5                    | 1213                   | 1.1            | 38.30 | S102            | TS132MA6 | 22000                    | 7907                       |
| 29.6                    | 1238                   | 1.1            | 59.40 | S102            | TH112M4  | 22000                    | 7977                       |
| 29.6                    | 1238                   | 1.1            | 59.40 | S102            | TP112M4  | 22000                    | 7977                       |
| 29.5                    | 1245                   | 1.1            | 59.40 | S102            | TS112MA4 | 22000                    | 7989                       |
| 28.5                    | 1300                   | 2.0            | 41.07 | S122            | TH132MA6 | 30000                    | 11200                      |
| 28.5                    | 1300                   | 2.0            | 41.07 | S122            | TS132MA6 | 30000                    | 11200                      |
| 26.8                    | 1380                   | 1.9            | 43.60 | S122            | TH132MA6 | 30000                    | 11200                      |
| 26.8                    | 1380                   | 1.9            | 43.60 | S122            | TS132MA6 | 30000                    | 11200                      |
| 26.7                    | 1375                   | 1.9            | 66.00 | S122            | TH112M4  | 30000                    | 11200                      |
| 26.7                    | 1375                   | 1.9            | 66.00 | S122            | TP112M4  | 30000                    | 11200                      |
| 26.5                    | 1383                   | 1.9            | 66.00 | S122            | TS112MA4 | 30000                    | 11200                      |
| 24.8                    | 1450                   | 1.6            | 71.07 | S123            | TH112M4  | 30000                    | 11200                      |
| 24.8                    | 1450                   | 1.6            | 71.07 | S123            | TP112M4  | 30000                    | 11200                      |
| 24.6                    | 1458                   | 1.6            | 71.07 | S123            | TS112MA4 | 30000                    | 11200                      |
| 23.9                    | 1552                   | 1.3            | 49.04 | S122            | TH132MA6 | 30000                    | 11200                      |
| 23.9                    | 1552                   | 1.3            | 49.04 | S122            | TS132MA6 | 30000                    | 11200                      |
| 21.8                    | 1702                   | 1.3            | 53.75 | S122            | TH132MA6 | 30000                    | 11200                      |
| 21.8                    | 1702                   | 1.3            | 53.75 | S122            | TS132MA6 | 30000                    | 11200                      |
| 20.2                    | 1780                   | 1.4            | 87.27 | S123            | TH112M4  | 30000                    | 11200                      |
| 20.2                    | 1780                   | 1.4            | 87.27 | S123            | TP112M4  | 30000                    | 11200                      |
| 20.1                    | 1791                   | 1.4            | 87.27 | S123            | TS112MA4 | 30000                    | 11200                      |
| 17.7                    | 2089                   | 1.2            | 66.00 | S122            | TH132MA6 | 30000                    | 11200                      |
| 17.7                    | 2089                   | 1.2            | 66.00 | S122            | TS132MA6 | 30000                    | 11200                      |

## 5.2 S GEARED MOTORS (60Hz)

## 4.00 kW

| n2 [rpm] | M2 [Nm] | fs  | i      | Gear reducer | Motor    | Fr2 D [N] | Fr2 C-L [N] |
|----------|---------|-----|--------|--------------|----------|-----------|-------------|
| 16.5     | 2203    | 1.0 | 71.07  | S123         | TH132MA6 | 30000     | 11200       |
| 16.5     | 2203    | 1.0 | 71.07  | S123         | TS132MA6 | 30000     | 11200       |
| 15.6     | 2296    | 1.1 | 112.52 | S123         | TH112M4  | 30000     | 11200       |
| 15.6     | 2296    | 1.1 | 112.52 | S123         | TP112M4  | 30000     | 11200       |
| 15.6     | 2309    | 1.1 | 112.52 | S123         | TS112MA4 | 30000     | 11200       |
| 14.3     | 2516    | 1.0 | 123.33 | S123         | TH112M4  | 30000     | 11200       |
| 14.3     | 2516    | 1.0 | 123.33 | S123         | TP112M4  | 30000     | 11200       |
| 14.2     | 2531    | 1.0 | 123.33 | S123         | TS112MA4 | 30000     | 11200       |

## 4.80 kW

| n2 [rpm] | M2 [Nm] | fs  | i     | Gear reducer | Motor    | Fr2 D [N] | Fr2 C-L [N] |
|----------|---------|-----|-------|--------------|----------|-----------|-------------|
| 237.1    | 186     | 2.1 | 7.34  | S082         | TS112MB4 | 12270     | 3506        |
| 217.5    | 202     | 1.2 | 8.00  | S062         | TS112MB4 | 5528      | 2211        |
| 215.8    | 204     | 2.1 | 8.06  | S082         | TS112MB4 | 12615     | 3604        |
| 215.8    | 204     | 3.0 | 8.06  | S102         | TS112MB4 | 15638     | 4468        |
| 196.7    | 224     | 2.9 | 8.85  | S102         | TS112MB4 | 16089     | 4597        |
| 182.3    | 241     | 1.1 | 9.55  | S062         | TS112MB4 | 5689      | 2276        |
| 175.0    | 251     | 1.9 | 9.94  | S082         | TS112MB4 | 13411     | 3832        |
| 159.9    | 275     | 2.5 | 10.88 | S102         | TS112MB4 | 17136     | 4896        |
| 149.9    | 294     | 1.7 | 11.61 | S082         | TS112MB4 | 14018     | 4005        |
| 136.5    | 322     | 1.7 | 12.75 | S082         | TS112MB4 | 14395     | 4113        |
| 136.5    | 322     | 2.2 | 12.75 | S102         | TS112MB4 | 17970     | 5134        |
| 124.4    | 354     | 2.4 | 13.99 | S102         | TS112MB4 | 18473     | 5278        |
| 101.1    | 435     | 2.2 | 17.21 | S102         | TS112MB4 | 19635     | 5610        |
| 100.6    | 437     | 1.3 | 17.29 | S082         | TS112MB4 | 15653     | 4472        |
| 91.6     | 481     | 2.1 | 19.00 | S102         | TS112MB4 | 20206     | 5773        |
| 86.4     | 509     | 1.1 | 20.14 | S082         | TS112MB4 | 16298     | 4656        |
| 78.6     | 560     | 1.0 | 22.13 | S082         | TS112MB4 | 16699     | 4771        |
| 78.6     | 560     | 1.8 | 22.13 | S102         | TS112MB4 | 21106     | 6030        |
| 71.7     | 614     | 1.8 | 24.28 | S102         | TS112MB4 | 21666     | 6190        |
| 66.1     | 666     | 1.6 | 26.33 | S102         | TS112MB4 | 22000     | 6333        |
| 60.8     | 723     | 3.0 | 28.60 | S122         | TS112MB4 | 30000     | 9253        |
| 58.3     | 755     | 1.4 | 29.87 | S102         | TS112MB4 | 22000     | 6556        |
| 57.0     | 772     | 3.3 | 30.51 | S122         | TS112MB4 | 30000     | 9417        |
| 54.8     | 804     | 1.1 | 31.78 | S082         | TS112MB4 | 18000     | 5214        |
| 53.7     | 819     | 1.6 | 32.40 | S102         | TS112MB4 | 22000     | 6702        |
| 52.0     | 846     | 3.0 | 33.44 | S122         | TS112MB4 | 30000     | 9652        |
| 49.8     | 883     | 1.4 | 34.91 | S102         | TS112MB4 | 22000     | 6837        |
| 49.4     | 890     | 2.9 | 35.20 | S122         | TS112MB4 | 30000     | 9784        |
| 45.4     | 969     | 1.3 | 38.30 | S102         | TS112MB4 | 22000     | 7007        |

## 5.2 S GEARED MOTORS (60Hz)

## 4.80 kW

| n2 [rpm] | M2 [Nm] | fs  | i     | Gear reducer | Motor    | Fr2 D [N] | Fr2 C-L [N] |
|----------|---------|-----|-------|--------------|----------|-----------|-------------|
| 42.4     | 1039    | 2.5 | 41.07 | S122         | TS112MB4 | 30000     | 10184       |
| 39.9     | 1103    | 2.3 | 43.60 | S122         | TS112MB4 | 30000     | 10341       |
| 36.9     | 1192    | 1.1 | 47.13 | S102         | TS112MB4 | 22000     | 7388        |
| 35.5     | 1240    | 1.7 | 49.04 | S122         | TS112MB4 | 30000     | 10648       |
| 32.4     | 1359    | 1.6 | 53.75 | S122         | TS112MB4 | 30000     | 10888       |
| 26.4     | 1669    | 1.5 | 66.00 | S122         | TS112MB4 | 30000     | 11200       |
| 24.5     | 1760    | 1.3 | 71.07 | S123         | TS112MB4 | 30000     | 11200       |
| 19.9     | 2161    | 1.2 | 87.27 | S123         | TS112MB4 | 30000     | 11200       |

## 5.50 kW

| n2 [rpm] | M2 [Nm] | fs  | i     | Gear reducer | Motor    | Fr2 D [N] | Fr2 C-L [N] |
|----------|---------|-----|-------|--------------|----------|-----------|-------------|
| 241.2    | 209     | 1.9 | 7.34  | S082         | TP132MS4 | 12120     | 3463        |
| 239.8    | 210     | 1.9 | 7.34  | S082         | TH132S4  | 12140     | 3469        |
| 238.5    | 211     | 1.9 | 7.34  | S082         | TS132S4  | 12160     | 3474        |
| 219.5    | 230     | 1.9 | 8.06  | S082         | TP132MS4 | 12456     | 3559        |
| 219.5    | 230     | 2.7 | 8.06  | S102         | TP132MS4 | 15480     | 4423        |
| 218.3    | 231     | 1.9 | 8.06  | S082         | TH132S4  | 12476     | 3565        |
| 218.3    | 231     | 2.6 | 8.06  | S102         | TH132S4  | 15507     | 4430        |
| 217.1    | 232     | 1.9 | 8.06  | S082         | TS132S4  | 12497     | 3571        |
| 217.1    | 232     | 2.6 | 8.06  | S102         | TS132S4  | 15534     | 4438        |
| 200.1    | 252     | 2.6 | 8.85  | S102         | TP132MS4 | 15922     | 4549        |
| 199.0    | 253     | 2.6 | 8.85  | S102         | TH132S4  | 15949     | 4557        |
| 197.8    | 255     | 2.6 | 8.85  | S102         | TS132S4  | 15977     | 4565        |
| 178.0    | 283     | 1.7 | 9.94  | S082         | TP132MS4 | 13226     | 3779        |
| 177.0    | 285     | 1.6 | 9.94  | S082         | TH132S4  | 13248     | 3785        |
| 176.0    | 287     | 1.6 | 9.94  | S082         | TS132S4  | 13269     | 3791        |
| 162.6    | 310     | 2.2 | 10.88 | S102         | TP132MS4 | 16945     | 4841        |
| 161.7    | 312     | 2.2 | 10.88 | S102         | TH132S4  | 16974     | 4850        |
| 160.8    | 314     | 2.2 | 10.88 | S102         | TS132S4  | 17002     | 4858        |
| 159.4    | 319     | 1.2 | 7.34  | S082         | TH132MB6 | 13632     | 3895        |
| 158.1    | 322     | 1.2 | 7.34  | S082         | TS132MB6 | 13665     | 3904        |
| 152.5    | 331     | 1.5 | 11.61 | S082         | TP132MS4 | 13812     | 3946        |
| 151.6    | 333     | 1.5 | 11.61 | S082         | TH132S4  | 13833     | 3952        |
| 150.8    | 334     | 1.5 | 11.61 | S082         | TS132S4  | 13855     | 3959        |
| 145.1    | 351     | 1.2 | 8.06  | S082         | TH132MB6 | 13991     | 3998        |
| 145.1    | 351     | 1.7 | 8.06  | S102         | TH132MB6 | 17518     | 5005        |
| 143.9    | 354     | 1.2 | 8.06  | S082         | TS132MB6 | 14024     | 4007        |
| 143.9    | 354     | 1.7 | 8.06  | S102         | TS132MB6 | 17563     | 5018        |
| 138.8    | 363     | 1.5 | 12.75 | S082         | TP132MS4 | 14174     | 4050        |
| 138.8    | 363     | 2.0 | 12.75 | S102         | TP132MS4 | 17758     | 5074        |

## 5.2 S GEARED MOTORS (60Hz)

## 5.50 kW

| n2<br>[rpm] | M2<br>[Nm] | fs  | i     | Gear<br>reducer | Motor    | Fr2<br>D [N] | Fr2<br>C-L [N] |
|-------------|------------|-----|-------|-----------------|----------|--------------|----------------|
| 138.0       | 365        | 1.5 | 12.75 | S082            | TH132S4  | 14196        | 4056           |
| 138.0       | 365        | 2.0 | 12.75 | S102            | TH132S4  | 17788        | 5082           |
| 137.3       | 367        | 1.5 | 12.75 | S082            | TS132S4  | 14218        | 4062           |
| 137.3       | 367        | 2.0 | 12.75 | S102            | TS132S4  | 17818        | 5091           |
| 132.3       | 385        | 1.7 | 8.85  | S102            | TH132MB6 | 18003        | 5144           |
| 131.1       | 388        | 1.7 | 8.85  | S102            | TS132MB6 | 18048        | 5157           |
| 126.5       | 399        | 2.2 | 13.99 | S102            | TP132MS4 | 18248        | 5214           |
| 125.8       | 401        | 2.2 | 13.99 | S102            | TH132S4  | 18278        | 5222           |
| 125.1       | 403        | 2.1 | 13.99 | S102            | TS132S4  | 18309        | 5231           |
| 117.7       | 433        | 1.1 | 9.94  | S082            | TH132MB6 | 14807        | 4231           |
| 116.7       | 437        | 1.1 | 9.94  | S082            | TS132MB6 | 14841        | 4240           |
| 107.5       | 474        | 1.4 | 10.88 | S102            | TH132MB6 | 19118        | 5462           |
| 106.6       | 478        | 1.4 | 10.88 | S102            | TS132MB6 | 19165        | 5476           |
| 102.8       | 490        | 1.9 | 17.21 | S102            | TP132MS4 | 19375        | 5536           |
| 102.3       | 493        | 1.1 | 17.29 | S082            | TP132MS4 | 15375        | 4393           |
| 102.3       | 493        | 1.9 | 17.21 | S102            | TH132S4  | 19407        | 5545           |
| 101.8       | 495        | 1.1 | 17.29 | S082            | TH132S4  | 15398        | 4399           |
| 101.7       | 496        | 1.9 | 17.21 | S102            | TS132S4  | 19438        | 5554           |
| 101.2       | 498        | 1.1 | 17.29 | S082            | TS132S4  | 15421        | 4406           |
| 93.2        | 541        | 1.9 | 19.00 | S102            | TP132MS4 | 19927        | 5694           |
| 92.6        | 544        | 1.9 | 19.00 | S102            | TH132S4  | 19959        | 5703           |
| 92.1        | 547        | 1.8 | 19.00 | S102            | TS132S4  | 19991        | 5712           |
| 91.8        | 555        | 1.3 | 12.75 | S102            | TH132MB6 | 19998        | 5714           |
| 91.0        | 560        | 1.3 | 12.75 | S102            | TS132MB6 | 20046        | 5728           |
| 83.6        | 609        | 1.4 | 13.99 | S102            | TH132MB6 | 20525        | 5864           |
| 82.9        | 614        | 1.4 | 13.99 | S102            | TS132MB6 | 20574        | 5878           |
| 80.0        | 630        | 1.6 | 22.13 | S102            | TP132MS4 | 20796        | 5942           |
| 79.5        | 634        | 1.6 | 22.13 | S102            | TH132S4  | 20828        | 5951           |
| 79.1        | 638        | 1.6 | 22.13 | S102            | TS132S4  | 20861        | 5960           |
| 72.9        | 692        | 1.6 | 24.28 | S102            | TP132MS4 | 21334        | 6095           |
| 72.5        | 696        | 1.6 | 24.28 | S102            | TH132S4  | 21367        | 6105           |
| 72.1        | 699        | 1.5 | 24.28 | S102            | TS132S4  | 21400        | 6114           |
| 68.0        | 749        | 1.3 | 17.21 | S102            | TH132MB6 | 21726        | 6207           |
| 67.7        | 745        | 2.9 | 26.15 | S122            | TP132MS4 | 30000        | 8883           |
| 67.4        | 756        | 1.2 | 17.21 | S102            | TS132MB6 | 21776        | 6222           |
| 67.3        | 749        | 2.9 | 26.15 | S122            | TH132S4  | 30000        | 8896           |
| 67.2        | 750        | 1.4 | 26.33 | S102            | TP132MS4 | 21811        | 6232           |
| 66.9        | 754        | 2.9 | 26.15 | S122            | TS132S4  | 30000        | 8910           |
| 66.8        | 754        | 1.4 | 26.33 | S102            | TH132S4  | 21844        | 6241           |
| 66.5        | 759        | 1.4 | 26.33 | S102            | TS132S4  | 21878        | 6251           |
| 61.9        | 815        | 2.7 | 28.60 | S122            | TP132MS4 | 30000        | 9098           |

## 5.2 S GEARED MOTORS (60Hz)

## 5.50 kW

| n <sub>2</sub><br>[rpm] | M <sub>2</sub><br>[Nm] | f <sub>s</sub> | i     | Gear<br>reducer | Motor    | Fr <sub>2</sub><br>D [N] | Fr <sub>2</sub><br>C-L [N] |
|-------------------------|------------------------|----------------|-------|-----------------|----------|--------------------------|----------------------------|
| 61.6                    | 827                    | 1.2            | 19.00 | S102            | TH132MB6 | 22000                    | 6374                       |
| 61.5                    | 819                    | 2.6            | 28.60 | S122            | TH132S4  | 30000                    | 9111                       |
| 61.2                    | 824                    | 2.6            | 28.60 | S122            | TS132S4  | 30000                    | 9125                       |
| 61.1                    | 834                    | 1.2            | 19.00 | S102            | TS132MB6 | 22000                    | 6388                       |
| 59.3                    | 851                    | 1.3            | 29.87 | S102            | TP132MS4 | 22000                    | 6445                       |
| 58.9                    | 856                    | 1.3            | 29.87 | S102            | TH132S4  | 22000                    | 6455                       |
| 58.6                    | 861                    | 1.3            | 29.87 | S102            | TS132S4  | 22000                    | 6465                       |
| 58.0                    | 869                    | 2.9            | 30.51 | S122            | TP132MS4 | 30000                    | 9254                       |
| 57.7                    | 874                    | 2.9            | 30.51 | S122            | TH132S4  | 30000                    | 9268                       |
| 57.4                    | 879                    | 2.9            | 30.51 | S122            | TS132S4  | 30000                    | 9282                       |
| 55.1                    | 925                    | 2.2            | 21.25 | S122            | TH132MB6 | 30000                    | 9371                       |
| 54.6                    | 923                    | 1.4            | 32.40 | S102            | TP132MS4 | 22000                    | 6584                       |
| 54.6                    | 933                    | 2.2            | 21.25 | S122            | TS132MB6 | 30000                    | 9392                       |
| 54.3                    | 928                    | 1.4            | 32.40 | S102            | TH132S4  | 22000                    | 6594                       |
| 54.0                    | 934                    | 1.4            | 32.40 | S102            | TS132S4  | 22000                    | 6604                       |
| 52.9                    | 963                    | 1.0            | 22.13 | S102            | TH132MB6 | 22000                    | 6633                       |
| 52.9                    | 953                    | 2.7            | 33.44 | S122            | TP132MS4 | 30000                    | 9477                       |
| 52.6                    | 958                    | 2.7            | 33.44 | S122            | TH132S4  | 30000                    | 9491                       |
| 52.4                    | 971                    | 1.0            | 22.13 | S102            | TS132MB6 | 22000                    | 6648                       |
| 52.3                    | 964                    | 2.7            | 33.44 | S122            | TS132S4  | 30000                    | 9505                       |
| 50.7                    | 994                    | 1.2            | 34.91 | S102            | TP132MS4 | 22000                    | 6712                       |
| 50.4                    | 1000                   | 1.2            | 34.91 | S102            | TH132S4  | 22000                    | 6722                       |
| 50.3                    | 1003                   | 2.6            | 35.20 | S122            | TP132MS4 | 30000                    | 9602                       |
| 50.2                    | 1014                   | 2.1            | 23.29 | S122            | TH132MB6 | 30000                    | 9594                       |
| 50.1                    | 1006                   | 1.2            | 34.91 | S102            | TS132S4  | 22000                    | 6732                       |
| 50.0                    | 1008                   | 2.5            | 35.20 | S122            | TH132S4  | 30000                    | 9616                       |
| 49.8                    | 1023                   | 2.0            | 23.29 | S122            | TS132MB6 | 30000                    | 9614                       |
| 49.7                    | 1014                   | 2.5            | 35.20 | S122            | TS132S4  | 30000                    | 9630                       |
| 48.2                    | 1057                   | 1.0            | 24.28 | S102            | TH132MB6 | 22000                    | 6792                       |
| 47.8                    | 1066                   | 1.0            | 24.28 | S102            | TS132MB6 | 22000                    | 6807                       |
| 46.2                    | 1091                   | 1.2            | 38.30 | S102            | TP132MS4 | 22000                    | 6872                       |
| 45.9                    | 1097                   | 1.2            | 38.30 | S102            | TH132S4  | 22000                    | 6882                       |
| 45.7                    | 1104                   | 1.2            | 38.30 | S102            | TS132S4  | 22000                    | 6892                       |
| 44.7                    | 1138                   | 1.9            | 26.15 | S122            | TH132MB6 | 30000                    | 9875                       |
| 44.4                    | 1148                   | 1.9            | 26.15 | S122            | TS132MB6 | 30000                    | 9896                       |
| 43.1                    | 1170                   | 2.2            | 41.07 | S122            | TP132MS4 | 30000                    | 9979                       |
| 42.9                    | 1177                   | 2.2            | 41.07 | S122            | TH132S4  | 30000                    | 9993                       |
| 42.6                    | 1183                   | 2.2            | 41.07 | S122            | TS132S4  | 30000                    | 10006                      |
| 40.9                    | 1245                   | 1.7            | 28.60 | S122            | TH132MB6 | 30000                    | 10093                      |
| 40.6                    | 1242                   | 2.1            | 43.60 | S122            | TP132MS4 | 30000                    | 10125                      |
| 40.6                    | 1256                   | 1.7            | 28.60 | S122            | TS132MB6 | 30000                    | 10114                      |

## 5.2 S GEARED MOTORS (60Hz)

## 5.50 kW

| n2 [rpm] | M2 [Nm] | fs  | i     | Gear reducer | Motor    | Fr2 D [N] | Fr2 C-L [N] |
|----------|---------|-----|-------|--------------|----------|-----------|-------------|
| 40.4     | 1249    | 2.0 | 43.60 | S122         | TH132S4  | 30000     | 10139       |
| 40.1     | 1256    | 2.0 | 43.60 | S122         | TS132S4  | 30000     | 10152       |
| 38.3     | 1328    | 1.9 | 30.51 | S122         | TH132MB6 | 30000     | 10250       |
| 38.0     | 1340    | 1.9 | 30.51 | S122         | TS132MB6 | 30000     | 10271       |
| 37.6     | 1343    | 1.0 | 47.13 | S102         | TP132MS4 | 22000     | 7230        |
| 37.3     | 1350    | 1.0 | 47.13 | S102         | TH132S4  | 22000     | 7240        |
| 37.1     | 1358    | 1.0 | 47.13 | S102         | TS132S4  | 22000     | 7249        |
| 36.1     | 1397    | 1.5 | 49.04 | S122         | TP132MS4 | 30000     | 10411       |
| 35.9     | 1405    | 1.5 | 49.04 | S122         | TH132S4  | 30000     | 10425       |
| 35.7     | 1413    | 1.5 | 49.04 | S122         | TS132S4  | 30000     | 10438       |
| 35.0     | 1456    | 1.8 | 33.44 | S122         | TH132MB6 | 30000     | 10471       |
| 34.7     | 1468    | 1.7 | 33.44 | S122         | TS132MB6 | 30000     | 10491       |
| 33.2     | 1532    | 1.7 | 35.20 | S122         | TH132MB6 | 30000     | 10593       |
| 33.0     | 1545    | 1.7 | 35.20 | S122         | TS132MB6 | 30000     | 10614       |
| 32.9     | 1531    | 1.4 | 53.75 | S122         | TP132MS4 | 30000     | 10632       |
| 32.7     | 1540    | 1.4 | 53.75 | S122         | TH132S4  | 30000     | 10646       |
| 32.6     | 1549    | 1.4 | 53.75 | S122         | TS132S4  | 30000     | 10659       |
| 28.5     | 1788    | 1.4 | 41.07 | S122         | TH132MB6 | 30000     | 10956       |
| 28.2     | 1803    | 1.4 | 41.07 | S122         | TS132MB6 | 30000     | 10976       |
| 26.8     | 1880    | 1.4 | 66.00 | S122         | TP132MS4 | 30000     | 11116       |
| 26.8     | 1898    | 1.3 | 43.60 | S122         | TH132MB6 | 30000     | 11094       |
| 26.7     | 1891    | 1.4 | 66.00 | S122         | TH132S4  | 30000     | 11129       |
| 26.6     | 1914    | 1.3 | 43.60 | S122         | TS132MB6 | 30000     | 11114       |
| 26.5     | 1902    | 1.3 | 66.00 | S122         | TS132S4  | 30000     | 11142       |
| 24.9     | 1982    | 1.2 | 71.07 | S123         | TP132MS4 | 30000     | 11200       |
| 24.8     | 1994    | 1.2 | 71.07 | S123         | TH132S4  | 30000     | 11200       |
| 24.6     | 2005    | 1.1 | 71.07 | S123         | TS132S4  | 30000     | 11200       |
| 20.3     | 2434    | 1.1 | 87.27 | S123         | TP132MS4 | 30000     | 11200       |
| 20.2     | 2448    | 1.0 | 87.27 | S123         | TH132S4  | 30000     | 11200       |
| 20.1     | 2462    | 1.0 | 87.27 | S123         | TS132S4  | 30000     | 11200       |

## 7.50 kW

| n2 [rpm] | M2 [Nm] | fs  | i    | Gear reducer | Motor    | Fr2 D [N] | Fr2 C-L [N] |
|----------|---------|-----|------|--------------|----------|-----------|-------------|
| 239.8    | 287     | 1.4 | 7.34 | S082         | TH132MA4 | 11889     | 3397        |
| 239.8    | 287     | 1.4 | 7.34 | S082         | TP132M4  | 11889     | 3397        |
| 238.5    | 288     | 1.4 | 7.34 | S082         | TS132MA4 | 11908     | 3402        |
| 218.3    | 315     | 1.4 | 8.06 | S082         | TH132MA4 | 12200     | 3486        |
| 218.3    | 315     | 1.4 | 8.06 | S082         | TP132M4  | 12200     | 3486        |
| 218.3    | 315     | 1.9 | 8.06 | S102         | TH132MA4 | 15289     | 4368        |
| 218.3    | 315     | 1.9 | 8.06 | S102         | TP132M4  | 15289     | 4368        |

## 5.2 S GEARED MOTORS (60Hz)

## 7.50 kW

| n2<br>[rpm] | M2<br>[Nm] | fs  | i     | Gear<br>reducer | Motor    | Fr2<br>D [N] | Fr2<br>C-L [N] |
|-------------|------------|-----|-------|-----------------|----------|--------------|----------------|
| 217.1       | 317        | 1.4 | 8.06  | S082            | TS132MA4 | 12219        | 3491           |
| 217.1       | 317        | 1.9 | 8.06  | S102            | TS132MA4 | 15314        | 4376           |
| 199.0       | 346        | 1.9 | 8.85  | S102            | TH132MA4 | 15710        | 4489           |
| 199.0       | 346        | 1.9 | 8.85  | S102            | TP132M4  | 15710        | 4489           |
| 197.8       | 348        | 1.9 | 8.85  | S102            | TS132MA4 | 15736        | 4496           |
| 177.0       | 388        | 1.2 | 9.94  | S082            | TH132MA4 | 12907        | 3688           |
| 177.0       | 388        | 1.2 | 9.94  | S082            | TP132M4  | 12907        | 3688           |
| 176.0       | 391        | 1.2 | 9.94  | S082            | TS132MA4 | 12927        | 3693           |
| 161.7       | 425        | 1.6 | 10.88 | S102            | TH132MA4 | 16679        | 4765           |
| 161.7       | 425        | 1.6 | 10.88 | S102            | TP132M4  | 16679        | 4765           |
| 160.8       | 428        | 1.6 | 10.88 | S102            | TS132MA4 | 16706        | 4773           |
| 151.6       | 453        | 1.1 | 11.61 | S082            | TH132MA4 | 13436        | 3839           |
| 151.6       | 453        | 1.1 | 11.61 | S082            | TP132M4  | 13436        | 3839           |
| 150.8       | 456        | 1.1 | 11.61 | S082            | TS132MA4 | 13456        | 3845           |
| 138.0       | 498        | 1.1 | 12.75 | S082            | TH132MA4 | 13760        | 3931           |
| 138.0       | 498        | 1.1 | 12.75 | S082            | TP132M4  | 13760        | 3931           |
| 138.0       | 498        | 1.4 | 12.75 | S102            | TH132MA4 | 17443        | 4984           |
| 138.0       | 498        | 1.4 | 12.75 | S102            | TP132M4  | 17443        | 4984           |
| 137.3       | 501        | 1.1 | 12.75 | S082            | TS132MA4 | 13779        | 3937           |
| 137.3       | 501        | 1.4 | 12.75 | S102            | TS132MA4 | 17471        | 4992           |
| 125.8       | 547        | 1.6 | 13.99 | S102            | TH132MA4 | 17900        | 5114           |
| 125.8       | 547        | 1.6 | 13.99 | S102            | TP132M4  | 17900        | 5114           |
| 125.1       | 550        | 1.6 | 13.99 | S102            | TS132MA4 | 17928        | 5122           |
| 102.3       | 672        | 1.4 | 17.21 | S102            | TH132MA4 | 18941        | 5412           |
| 102.3       | 672        | 1.4 | 17.21 | S102            | TP132M4  | 18941        | 5412           |
| 101.7       | 676        | 1.4 | 17.21 | S102            | TS132MA4 | 18970        | 5420           |
| 92.6        | 742        | 1.4 | 19.00 | S102            | TH132MA4 | 19445        | 5556           |
| 92.6        | 742        | 1.4 | 19.00 | S102            | TP132M4  | 19445        | 5556           |
| 92.1        | 747        | 1.4 | 19.00 | S102            | TS132MA4 | 19475        | 5564           |
| 82.8        | 830        | 2.4 | 21.25 | S122            | TH132MA4 | 28581        | 8166           |
| 82.8        | 830        | 2.4 | 21.25 | S122            | TP132M4  | 28581        | 8166           |
| 82.4        | 835        | 2.4 | 21.25 | S122            | TS132MA4 | 28623        | 8178           |
| 79.5        | 864        | 1.2 | 22.13 | S102            | TH132MA4 | 20230        | 5780           |
| 79.5        | 864        | 1.2 | 22.13 | S102            | TP132M4  | 20230        | 5780           |
| 79.1        | 869        | 1.2 | 22.13 | S102            | TS132MA4 | 20259        | 5788           |
| 75.6        | 910        | 2.3 | 23.29 | S122            | TH132MA4 | 29254        | 8358           |
| 75.6        | 910        | 2.3 | 23.29 | S122            | TP132M4  | 29254        | 8358           |
| 75.1        | 915        | 2.3 | 23.29 | S122            | TS132MA4 | 29296        | 8370           |
| 72.5        | 948        | 1.1 | 24.28 | S102            | TH132MA4 | 20711        | 5917           |
| 72.5        | 948        | 1.1 | 24.28 | S102            | TP132M4  | 20711        | 5917           |
| 72.1        | 954        | 1.1 | 24.28 | S102            | TS132MA4 | 20740        | 5926           |



## 5.2 S GEARED MOTORS (60Hz)

## 7.50 kW

| n <sub>2</sub><br>[rpm] | M <sub>2</sub><br>[Nm] | f <sub>s</sub> | i     | Gear<br>reducer | Motor    | Fr <sub>2</sub><br>D [N] | Fr <sub>2</sub><br>C-L [N] |
|-------------------------|------------------------|----------------|-------|-----------------|----------|--------------------------|----------------------------|
| 67.3                    | 1022                   | 2.1            | 26.15 | S122            | TH132MA4 | 30000                    | 8602                       |
| 67.3                    | 1022                   | 2.1            | 26.15 | S122            | TP132M4  | 30000                    | 8602                       |
| 66.9                    | 1028                   | 2.1            | 26.15 | S122            | TS132MA4 | 30000                    | 8613                       |
| 66.8                    | 1029                   | 1.0            | 26.33 | S102            | TH132MA4 | 21132                    | 6038                       |
| 66.8                    | 1029                   | 1.0            | 26.33 | S102            | TP132M4  | 21132                    | 6038                       |
| 66.5                    | 1035                   | 1.0            | 26.33 | S102            | TS132MA4 | 21162                    | 6046                       |
| 61.5                    | 1117                   | 1.9            | 28.60 | S122            | TH132MA4 | 30000                    | 8789                       |
| 61.5                    | 1117                   | 1.9            | 28.60 | S122            | TP132M4  | 30000                    | 8789                       |
| 61.2                    | 1124                   | 1.9            | 28.60 | S122            | TS132MA4 | 30000                    | 8801                       |
| 57.7                    | 1192                   | 2.1            | 30.51 | S122            | TH132MA4 | 30000                    | 8924                       |
| 57.7                    | 1192                   | 2.1            | 30.51 | S122            | TP132M4  | 30000                    | 8924                       |
| 57.4                    | 1199                   | 2.1            | 30.51 | S122            | TS132MA4 | 30000                    | 8936                       |
| 54.3                    | 1266                   | 1.0            | 32.40 | S102            | TH132MA4 | 22000                    | 6344                       |
| 54.3                    | 1266                   | 1.0            | 32.40 | S102            | TP132M4  | 22000                    | 6344                       |
| 54.0                    | 1273                   | 1.0            | 32.40 | S102            | TS132MA4 | 22000                    | 6352                       |
| 52.6                    | 1307                   | 2.0            | 33.44 | S122            | TH132MA4 | 30000                    | 9114                       |
| 52.6                    | 1307                   | 2.0            | 33.44 | S122            | TP132M4  | 30000                    | 9114                       |
| 52.3                    | 1314                   | 1.9            | 33.44 | S122            | TS132MA4 | 30000                    | 9125                       |
| 50.0                    | 1375                   | 1.9            | 35.20 | S122            | TH132MA4 | 30000                    | 9219                       |
| 50.0                    | 1375                   | 1.9            | 35.20 | S122            | TP132M4  | 30000                    | 9219                       |
| 49.7                    | 1383                   | 1.9            | 35.20 | S122            | TS132MA4 | 30000                    | 9230                       |
| 42.9                    | 1604                   | 1.6            | 41.07 | S122            | TH132MA4 | 30000                    | 9529                       |
| 42.9                    | 1604                   | 1.6            | 41.07 | S122            | TP132M4  | 30000                    | 9529                       |
| 42.6                    | 1614                   | 1.6            | 41.07 | S122            | TS132MA4 | 30000                    | 9541                       |
| 40.4                    | 1703                   | 1.5            | 43.60 | S122            | TH132MA4 | 30000                    | 9647                       |
| 40.4                    | 1703                   | 1.5            | 43.60 | S122            | TP132M4  | 30000                    | 9647                       |
| 40.1                    | 1713                   | 1.5            | 43.60 | S122            | TS132MA4 | 30000                    | 9658                       |
| 35.9                    | 1916                   | 1.1            | 49.04 | S122            | TH132MA4 | 30000                    | 9872                       |
| 35.9                    | 1916                   | 1.1            | 49.04 | S122            | TP132M4  | 30000                    | 9872                       |
| 35.7                    | 1927                   | 1.1            | 49.04 | S122            | TS132MA4 | 30000                    | 9882                       |
| 32.7                    | 2100                   | 1.1            | 53.75 | S122            | TH132MA4 | 30000                    | 10040                      |
| 32.7                    | 2100                   | 1.1            | 53.75 | S122            | TP132M4  | 30000                    | 10040                      |
| 32.6                    | 2112                   | 1.1            | 53.75 | S122            | TS132MA4 | 30000                    | 10050                      |

## 9.20 kW

| n <sub>2</sub><br>[rpm] | M <sub>2</sub><br>[Nm] | f <sub>s</sub> | i    | Gear<br>reducer | Motor    | Fr <sub>2</sub><br>D [N] | Fr <sub>2</sub><br>C-L [N] |
|-------------------------|------------------------|----------------|------|-----------------|----------|--------------------------|----------------------------|
| 239.8                   | 352                    | 1.1            | 7.34 | S082            | TH132MB4 | 11675                    | 3336                       |
| 238.5                   | 354                    | 1.1            | 7.34 | S082            | TS132MB4 | 11693                    | 3341                       |
| 218.3                   | 386                    | 1.1            | 8.06 | S082            | TH132MB4 | 11966                    | 3419                       |
| 218.3                   | 386                    | 1.6            | 8.06 | S102            | TH132MB4 | 15103                    | 4315                       |

## 5.2 S GEARED MOTORS (60Hz)

## 9.20 kW

| n2<br>[rpm] | M2<br>[Nm] | fs  | i     | Gear<br>reducer | Motor    | Fr2<br>D [N] | Fr2<br>C-L [N] |
|-------------|------------|-----|-------|-----------------|----------|--------------|----------------|
| 217.1       | 389        | 1.1 | 8.06  | S082            | TS132MB4 | 11983        | 3424           |
| 217.1       | 389        | 1.6 | 8.06  | S102            | TS132MB4 | 15128        | 4322           |
| 199.0       | 424        | 1.5 | 8.85  | S102            | TH132MB4 | 15507        | 4430           |
| 197.8       | 426        | 1.5 | 8.85  | S102            | TS132MB4 | 15532        | 4438           |
| 161.7       | 522        | 1.3 | 10.88 | S102            | TH132MB4 | 16429        | 4694           |
| 160.8       | 525        | 1.3 | 10.88 | S102            | TS132MB4 | 16455        | 4701           |
| 138.0       | 611        | 1.2 | 12.75 | S102            | TH132MB4 | 17150        | 4900           |
| 137.3       | 615        | 1.2 | 12.75 | S102            | TS132MB4 | 17176        | 4908           |
| 125.8       | 670        | 1.3 | 13.99 | S102            | TH132MB4 | 17578        | 5022           |
| 125.1       | 674        | 1.3 | 13.99 | S102            | TS132MB4 | 17605        | 5030           |
| 102.3       | 825        | 1.1 | 17.21 | S102            | TH132MB4 | 18546        | 5299           |
| 101.7       | 830        | 1.1 | 17.21 | S102            | TS132MB4 | 18572        | 5306           |
| 92.6        | 911        | 1.1 | 19.00 | S102            | TH132MB4 | 19009        | 5431           |
| 92.1        | 916        | 1.1 | 19.00 | S102            | TS132MB4 | 19036        | 5439           |
| 82.8        | 1018       | 2.0 | 21.25 | S122            | TH132MB4 | 27868        | 7962           |
| 82.4        | 1024       | 2.0 | 21.25 | S122            | TS132MB4 | 27906        | 7973           |
| 75.6        | 1116       | 1.9 | 23.29 | S122            | TH132MB4 | 28473        | 8135           |
| 75.1        | 1123       | 1.9 | 23.29 | S122            | TS132MB4 | 28510        | 8146           |
| 67.3        | 1253       | 1.7 | 26.15 | S122            | TH132MB4 | 29228        | 8351           |
| 66.9        | 1261       | 1.7 | 26.15 | S122            | TS132MB4 | 29265        | 8361           |
| 61.5        | 1371       | 1.6 | 28.60 | S122            | TH132MB4 | 29801        | 8515           |
| 61.2        | 1378       | 1.6 | 28.60 | S122            | TS132MB4 | 29837        | 8525           |
| 57.7        | 1462       | 1.8 | 30.51 | S122            | TH132MB4 | 30000        | 8631           |
| 57.4        | 1471       | 1.7 | 30.51 | S122            | TS132MB4 | 30000        | 8642           |
| 52.6        | 1603       | 1.6 | 33.44 | S122            | TH132MB4 | 30000        | 8793           |
| 52.3        | 1612       | 1.6 | 33.44 | S122            | TS132MB4 | 30000        | 8803           |
| 50.0        | 1687       | 1.5 | 35.20 | S122            | TH132MB4 | 30000        | 8881           |
| 49.7        | 1697       | 1.5 | 35.20 | S122            | TS132MB4 | 30000        | 8891           |
| 42.9        | 1968       | 1.3 | 41.07 | S122            | TH132MB4 | 30000        | 9136           |
| 42.6        | 1979       | 1.3 | 41.07 | S122            | TS132MB4 | 30000        | 9145           |
| 40.4        | 2089       | 1.2 | 43.60 | S122            | TH132MB4 | 30000        | 9229           |
| 40.1        | 2101       | 1.2 | 43.60 | S122            | TS132MB4 | 30000        | 9238           |

## 11.00 kW

| n2<br>[rpm] | M2<br>[Nm] | fs  | i    | Gear<br>reducer | Motor    | Fr2<br>D [N] | Fr2<br>C-L [N] |
|-------------|------------|-----|------|-----------------|----------|--------------|----------------|
| 215.8       | 467        | 1.3 | 8.06 | S102            | TS132MC4 | 14954        | 4273           |
| 215.8       | 467        | 1.3 | 8.06 | S102            | TS160S4  | 14954        | 4273           |
| 205.1       | 492        | 2.2 | 8.48 | S122            | TS160S4  | 21657        | 6188           |
| 196.7       | 513        | 1.3 | 8.85 | S102            | TS132MC4 | 15339        | 4383           |
| 196.7       | 513        | 1.3 | 8.85 | S102            | TS160S4  | 15339        | 4383           |

## 5.2 S GEARED MOTORS (60Hz)

## 11.00 kW

| n <sub>2</sub><br>[rpm] | M <sub>2</sub><br>[Nm] | f <sub>s</sub> | i     | Gear<br>reducer | Motor    | Fr <sub>2</sub><br>D [N] | Fr <sub>2</sub><br>C-L [N] |
|-------------------------|------------------------|----------------|-------|-----------------|----------|--------------------------|----------------------------|
| 187.2                   | 539                    | 2.3            | 9.30  | S122            | TS160S4  | 22201                    | 6343                       |
| 159.9                   | 631                    | 1.1            | 10.88 | S102            | TS132MC4 | 16213                    | 4632                       |
| 159.9                   | 631                    | 1.1            | 10.88 | S102            | TS160S4  | 16213                    | 4632                       |
| 152.4                   | 662                    | 2.1            | 11.42 | S122            | TS160S4  | 23436                    | 6696                       |
| 137.8                   | 732                    | 2.2            | 12.63 | S122            | TS160S4  | 24047                    | 6871                       |
| 125.7                   | 802                    | 2.2            | 13.84 | S122            | TS160S4  | 24605                    | 7030                       |
| 124.4                   | 811                    | 1.1            | 13.99 | S102            | TS132MC4 | 17287                    | 4939                       |
| 124.4                   | 811                    | 1.1            | 13.99 | S102            | TS160S4  | 17287                    | 4939                       |
| 102.4                   | 985                    | 1.9            | 16.99 | S122            | TS160S4  | 25850                    | 7386                       |
| 81.9                    | 1232                   | 1.6            | 21.25 | S122            | TS132MC4 | 27180                    | 7766                       |
| 81.9                    | 1232                   | 1.6            | 21.25 | S122            | TS160S4  | 27180                    | 7766                       |
| 74.7                    | 1350                   | 1.6            | 23.29 | S122            | TS132MC4 | 27711                    | 7917                       |
| 74.7                    | 1350                   | 1.6            | 23.29 | S122            | TS160S4  | 27711                    | 7917                       |
| 66.5                    | 1516                   | 1.4            | 26.15 | S122            | TS132MC4 | 28362                    | 8103                       |
| 66.5                    | 1516                   | 1.4            | 26.15 | S122            | TS160S4  | 28362                    | 8103                       |
| 60.8                    | 1658                   | 1.3            | 28.60 | S122            | TS132MC4 | 28846                    | 8242                       |
| 60.8                    | 1658                   | 1.3            | 28.60 | S122            | TS160S4  | 28846                    | 8242                       |
| 57.0                    | 1768                   | 1.4            | 30.51 | S122            | TS132MC4 | 29185                    | 8339                       |
| 57.0                    | 1768                   | 1.4            | 30.51 | S122            | TS160S4  | 29185                    | 8339                       |
| 52.0                    | 1938                   | 1.3            | 33.44 | S122            | TS132MC4 | 29644                    | 8470                       |
| 52.0                    | 1938                   | 1.3            | 33.44 | S122            | TS160S4  | 29644                    | 8470                       |
| 49.4                    | 2040                   | 1.3            | 35.20 | S122            | TS160S4  | 29888                    | 8540                       |
| 49.4                    | 2040                   | 1.3            | 35.20 | S122            | TS132MC4 | 29888                    | 8540                       |
| 42.4                    | 2380                   | 1.1            | 41.07 | S122            | TS132MC4 | 30000                    | 8732                       |
| 42.4                    | 2380                   | 1.1            | 41.07 | S122            | TS160S4  | 30000                    | 8732                       |
| 39.9                    | 2527                   | 1.0            | 43.60 | S122            | TS132MC4 | 30000                    | 8799                       |

## IS052

| Mn <sub>2</sub><br>[Nm] | i     | Pn <sub>1</sub><br>[kW] | n <sub>2</sub><br>[rpm] | Fr1<br>[Nm] | Fr2<br>D [N] | Fr2<br>C-L [N] |
|-------------------------|-------|-------------------------|-------------------------|-------------|--------------|----------------|
| 123                     | 8.63  | 2.72                    | 202.9                   | 759         | 3125         | 3125           |
| 137                     | 11.14 | 2.35                    | 157.1                   | 846         | 3373         | 3373           |
| 152                     | 13.66 | 2.12                    | 128.2                   | 901         | 3570         | 3570           |
| 174                     | 15.27 | 2.17                    | 114.6                   | 890         | 3584         | 3584           |
| 174                     | 16.29 | 2.04                    | 107.5                   | 922         | 3689         | 3689           |
| 174                     | 18.63 | 1.78                    | 93.9                    | 983         | 3916         | 3916           |
| 188                     | 21.04 | 1.71                    | 83.2                    | 1000        | 4020         | 4020           |
| 188                     | 24.07 | 1.49                    | 72.7                    | 1051        | 4267         | 4267           |
| 208                     | 25.79 | 1.54                    | 67.9                    | 1037        | 4234         | 4234           |
| 208                     | 27.81 | 1.43                    | 62.9                    | 1064        | 4381         | 4381           |
| 208                     | 30.00 | 1.32                    | 58.3                    | 1089        | 4532         | 4532           |
| 256                     | 32.55 | 1.50                    | 53.8                    | 1104        | 4644         | 4644           |
| 282                     | 36.55 | 1.47                    | 47.9                    | 1110        | 4725         | 4725           |
| 298                     | 39.90 | 1.43                    | 43.9                    | 1118        | 4808         | 4808           |
| 298                     | 42.63 | 1.33                    | 41.1                    | 1137        | 4956         | 4956           |
| 298                     | 47.20 | 1.21                    | 37.1                    | 1163        | 5191         | 5191           |
| 298                     | 52.25 | 1.09                    | 33.5                    | 1186        | 5433         | 5433           |
| 298                     | 57.86 | 0.98                    | 30.2                    | 1208        | 5685         | 5685           |
| 298                     | 72.83 | 0.78                    | 24.0                    | 1249        | 6000         | 6000           |

## IS053

| Mn <sub>2</sub><br>[Nm] | i      | Pn <sub>1</sub><br>[kW] | n <sub>2</sub><br>[rpm] | Fr1<br>[Nm] | Fr2<br>D [N] | Fr2<br>C-L [N] |
|-------------------------|--------|-------------------------|-------------------------|-------------|--------------|----------------|
| 300                     | 74.20  | 0.79                    | 23.6                    | 1251        | 6000         | 6000           |
| 298                     | 95.84  | 0.61                    | 18.3                    | 1286        | 6000         | 6000           |
| 296                     | 117.48 | 0.49                    | 14.9                    | 1309        | 6000         | 6000           |
| 300                     | 137.45 | 0.43                    | 12.7                    | 1323        | 6000         | 6000           |
| 300                     | 177.55 | 0.33                    | 9.9                     | 1342        | 6000         | 6000           |
| 304                     | 198.45 | 0.30                    | 8.8                     | 1348        | 6000         | 6000           |
| 298                     | 217.64 | 0.27                    | 8.0                     | 1354        | 6000         | 6000           |
| 294                     | 256.33 | 0.22                    | 6.8                     | 1362        | 6000         | 6000           |
| 292                     | 314.21 | 0.18                    | 5.6                     | 1370        | 6000         | 6000           |

## IS062

| Mn <sub>2</sub><br>[Nm] | i     | Pn <sub>1</sub><br>[kW] | n <sub>2</sub><br>[rpm] | Fr1<br>[Nm] | Fr2<br>D [N] | Fr2<br>C-L [N] |
|-------------------------|-------|-------------------------|-------------------------|-------------|--------------|----------------|
| 238                     | 8.00  | 5.68                    | 218.8                   | 413         | 4832         | 1933           |
| 260                     | 9.55  | 5.20                    | 183.3                   | 499         | 5061         | 2024           |
| 282                     | 11.71 | 4.60                    | 149.5                   | 605         | 5385         | 2154           |
| 302                     | 13.36 | 4.32                    | 131.0                   | 650         | 5548         | 2219           |

## IS062

| Mn <sub>2</sub><br>[Nm] | i     | Pn <sub>1</sub><br>[kW] | n <sub>2</sub><br>[rpm] | Fr1<br>[Nm] | Fr2<br>D [N] | Fr2<br>C-L [N] |
|-------------------------|-------|-------------------------|-------------------------|-------------|--------------|----------------|
| 324                     | 15.94 | 3.88                    | 109.8                   | 727         | 5853         | 2341           |
| 332                     | 19.55 | 3.24                    | 89.5                    | 841         | 6388         | 2555           |
| 338                     | 23.18 | 2.78                    | 75.5                    | 920         | 6856         | 2742           |
| 346                     | 25.14 | 2.63                    | 69.6                    | 948         | 7059         | 2824           |
| 346                     | 27.66 | 2.39                    | 63.3                    | 990         | 7376         | 2950           |
| 360                     | 30.00 | 2.29                    | 58.3                    | 1007        | 7536         | 3014           |
| 510                     | 36.57 | 2.66                    | 47.9                    | 1013        | 7650         | 3060           |
| 510                     | 39.38 | 2.47                    | 44.4                    | 1041        | 7927         | 3171           |
| 510                     | 43.64 | 2.23                    | 40.1                    | 1077        | 8324         | 3329           |
| 510                     | 46.10 | 2.11                    | 38.0                    | 1095        | 8541         | 3416           |
| 510                     | 53.53 | 1.82                    | 32.7                    | 1138        | 9154         | 3661           |
| 510                     | 55.00 | 1.77                    | 31.8                    | 1146        | 9268         | 3707           |
| 510                     | 67.47 | 1.44                    | 25.9                    | 1194        | 10000        | 4000           |

## IS063

| Mn <sub>2</sub><br>[Nm] | i      | Pn <sub>1</sub><br>[kW] | n <sub>2</sub><br>[rpm] | Fr1<br>[Nm] | Fr2<br>D [N] | Fr2<br>C-L [N] |
|-------------------------|--------|-------------------------|-------------------------|-------------|--------------|----------------|
| 510                     | 81.43  | 1.22                    | 21.5                    | 1231        | 10000        | 4000           |
| 510                     | 99.89  | 1.00                    | 17.5                    | 1264        | 10000        | 4000           |
| 510                     | 126.43 | 0.79                    | 13.8                    | 1294        | 10000        | 4000           |
| 510                     | 150.85 | 0.66                    | 11.6                    | 1313        | 10000        | 4000           |
| 515                     | 185.05 | 0.54                    | 9.5                     | 1331        | 10000        | 4000           |
| 510                     | 217.79 | 0.46                    | 8.0                     | 1342        | 10000        | 4000           |
| 510                     | 267.16 | 0.37                    | 6.5                     | 1355        | 10000        | 4000           |

## IS082

| Mn <sub>2</sub><br>[Nm] | i     | Pn <sub>1</sub><br>[kW] | n <sub>2</sub><br>[rpm] | Fr1<br>[Nm] | Fr2<br>D [N] | Fr2<br>C-L [N] |
|-------------------------|-------|-------------------------|-------------------------|-------------|--------------|----------------|
| 396                     | 7.34  | 10.30                   | 238.4                   | 1365        | 11156        | 3188           |
| 432                     | 8.06  | 10.23                   | 217.1                   | 1376        | 11407        | 3259           |
| 470                     | 9.94  | 9.02                    | 176.0                   | 1572        | 12203        | 3487           |
| 505                     | 11.61 | 8.31                    | 150.8                   | 1681        | 12792        | 3655           |
| 540                     | 12.75 | 8.08                    | 137.2                   | 1714        | 13109        | 3745           |
| 555                     | 17.29 | 6.13                    | 101.2                   | 2023        | 14680        | 4194           |
| 555                     | 20.14 | 5.26                    | 86.9                    | 2159        | 15559        | 4445           |
| 575                     | 22.13 | 4.96                    | 79.1                    | 2204        | 16032        | 4580           |
| 575                     | 24.00 | 4.57                    | 72.9                    | 2265        | 16535        | 4724           |
| 650                     | 27.29 | 4.55                    | 64.1                    | 2273        | 17049        | 4871           |
| 650                     | 28.67 | 4.33                    | 61.0                    | 2308        | 17375        | 4964           |
| 850                     | 31.78 | 5.11                    | 55.1                    | 2306        | 17762        | 5075           |

## IS082

| $Mn_2$<br>[Nm] | $i$   | $Pn_1$<br>[kW] | $n_2$<br>[rpm] | $Fr_1$<br>[Nm] | $Fr_2$<br>D [N] | $Fr_2$<br>C-L [N] |
|----------------|-------|----------------|----------------|----------------|-----------------|-------------------|
| 850            | 34.91 | 4.65           | 50.1           | 2367           | 18000           | 5263              |
| 850            | 40.05 | 4.05           | 43.7           | 2447           | 18000           | 5548              |
| 850            | 43.05 | 3.77           | 40.6           | 2484           | 18000           | 5703              |
| 850            | 50.25 | 3.23           | 34.8           | 2556           | 18000           | 6047              |
| 850            | 54.27 | 2.99           | 32.2           | 2588           | 18000           | 6226              |
| 850            | 61.98 | 2.62           | 28.2           | 2638           | 18000           | 6544              |

## IS083

| $Mn_2$<br>[Nm] | $i$    | $Pn_1$<br>[kW] | $n_2$<br>[rpm] | $Fr_1$<br>[Nm] | $Fr_2$<br>D [N] | $Fr_2$<br>C-L [N] |
|----------------|--------|----------------|----------------|----------------|-----------------|-------------------|
| 850            | 67.52  | 2.45           | 25.9           | 2667           | 18000           | 6757              |
| 850            | 74.18  | 2.23           | 23.6           | 2695           | 18000           | 6998              |
| 850            | 91.49  | 1.81           | 19.1           | 2750           | 18000           | 7200              |
| 850            | 117.17 | 1.41           | 14.9           | 2802           | 18000           | 7200              |
| 850            | 128.73 | 1.29           | 13.6           | 2819           | 18000           | 7200              |
| 850            | 158.76 | 1.04           | 11.0           | 2851           | 18000           | 7200              |
| 850            | 184.88 | 0.90           | 9.5            | 2870           | 18000           | 7200              |
| 855            | 203.11 | 0.82           | 8.6            | 2881           | 18000           | 7200              |
| 850            | 250.50 | 0.66           | 7.0            | 2901           | 18000           | 7200              |
| 845            | 292.36 | 0.56           | 6.0            | 2913           | 18000           | 7200              |
| 845            | 315.73 | 0.52           | 5.5            | 2919           | 18000           | 7200              |
| 845            | 360.58 | 0.46           | 4.8            | 2927           | 18000           | 7200              |

## IS102

| $Mn_2$<br>[Nm] | $i$   | $Pn_1$<br>[kW] | $n_2$<br>[rpm] | $Fr_1$<br>[Nm] | $Fr_2$<br>D [N] | $Fr_2$<br>C-L [N] |
|----------------|-------|----------------|----------------|----------------|-----------------|-------------------|
| 610            | 8.06  | 14.44          | 217.1          | 788            | 14063           | 4018              |
| 650            | 8.85  | 14.03          | 197.8          | 865            | 14442           | 4126              |
| 685            | 10.88 | 12.01          | 160.8          | 1166           | 15499           | 4428              |
| 720            | 12.75 | 10.78          | 137.2          | 1351           | 16332           | 4666              |
| 865            | 13.99 | 11.80          | 125.1          | 1198           | 16427           | 4694              |
| 940            | 17.21 | 10.42          | 101.7          | 1412           | 17554           | 5015              |
| 1010           | 19.00 | 10.15          | 92.1           | 1450           | 17997           | 5142              |
| 1010           | 22.13 | 8.71           | 79.1           | 1668           | 19100           | 5457              |
| 1080           | 24.28 | 8.49           | 72.1           | 1699           | 19556           | 5588              |
| 1080           | 26.33 | 7.83           | 66.5           | 1800           | 20188           | 5768              |
| 1080           | 29.87 | 6.90           | 58.6           | 1940           | 21200           | 6057              |
| 1280           | 32.40 | 7.54           | 54.0           | 2022           | 21877           | 6250              |
| 1195           | 34.91 | 6.53           | 50.1           | 2152           | 22000           | 6502              |
| 1280           | 38.30 | 6.38           | 45.7           | 2171           | 22000           | 6665              |

## 5.3 IS GEAR REDUCER - 1750 RPM

## IS102

| Mn <sub>2</sub><br>[Nm] | i     | Pn <sub>1</sub><br>[kW] | n <sub>2</sub><br>[rpm] | Fr1<br>[Nm] | Fr2<br>D [N] | Fr2<br>C-L [N] |
|-------------------------|-------|-------------------------|-------------------------|-------------|--------------|----------------|
| 1110                    | 44.00 | 4.82                    | 39.8                    | 2372        | 22000        | 7165           |
| 1365                    | 47.13 | 5.53                    | 37.1                    | 2280        | 22000        | 7141           |
| 1110                    | 55.14 | 3.84                    | 31.7                    | 2497        | 22000        | 7789           |
| 1365                    | 59.40 | 4.39                    | 29.5                    | 2426        | 22000        | 7796           |
| 1365                    | 67.84 | 3.84                    | 25.8                    | 2496        | 22000        | 8196           |

## IS103

| Mn <sub>2</sub><br>[Nm] | i      | Pn <sub>1</sub><br>[kW] | n <sub>2</sub><br>[rpm] | Fr1<br>[Nm] | Fr2<br>D [N] | Fr2<br>C-L [N] |
|-------------------------|--------|-------------------------|-------------------------|-------------|--------------|----------------|
| 1365                    | 74.18  | 3.59                    | 23.6                    | 2539        | 22000        | 8474           |
| 1365                    | 81.39  | 3.27                    | 21.5                    | 2578        | 22000        | 8773           |
| 1365                    | 100.15 | 2.66                    | 17.5                    | 2655        | 22000        | 9000           |
| 1365                    | 110.55 | 2.41                    | 15.8                    | 2687        | 22000        | 9000           |
| 1365                    | 128.73 | 2.07                    | 13.6                    | 2729        | 22000        | 9000           |
| 1365                    | 141.24 | 1.88                    | 12.4                    | 2752        | 22000        | 9000           |
| 1370                    | 173.78 | 1.54                    | 10.1                    | 2797        | 22000        | 9000           |
| 1365                    | 203.11 | 1.31                    | 8.6                     | 2824        | 22000        | 9000           |
| 1365                    | 222.85 | 1.19                    | 7.8                     | 2839        | 22000        | 9000           |
| 1365                    | 274.20 | 0.97                    | 6.4                     | 2867        | 22000        | 9000           |
| 1370                    | 320.79 | 0.83                    | 5.5                     | 2885        | 22000        | 9000           |
| 1360                    | 345.60 | 0.77                    | 5.1                     | 2892        | 22000        | 9000           |
| 1360                    | 394.69 | 0.67                    | 4.4                     | 2904        | 22000        | 9000           |

## IS122

| Mn <sub>2</sub><br>[Nm] | i     | Pn <sub>1</sub><br>[kW] | n <sub>2</sub><br>[rpm] | Fr1<br>[Nm] | Fr2<br>D [N] | Fr2<br>C-L [N] |
|-------------------------|-------|-------------------------|-------------------------|-------------|--------------|----------------|
| 1080                    | 8.48  | 24.30                   | 206.3                   | 3012        | 18134        | 5181           |
| 1225                    | 9.30  | 25.15                   | 188.2                   | 2979        | 18143        | 5184           |
| 1370                    | 11.42 | 22.91                   | 153.3                   | 3068        | 19127        | 5465           |
| 1590                    | 12.63 | 24.04                   | 138.6                   | 3026        | 18934        | 5410           |
| 1735                    | 13.84 | 23.93                   | 126.5                   | 3030        | 19045        | 5441           |
| 1880                    | 16.99 | 21.12                   | 103.0                   | 3140        | 20267        | 5791           |
| 2020                    | 21.25 | 18.14                   | 82.3                    | 3255        | 21815        | 6233           |
| 2095                    | 23.29 | 17.17                   | 75.1                    | 3294        | 22436        | 6410           |
| 2165                    | 26.15 | 15.80                   | 66.9                    | 3347        | 23357        | 6674           |
| 2165                    | 28.60 | 14.45                   | 61.2                    | 3400        | 24377        | 6965           |
| 2560                    | 30.51 | 16.01                   | 57.4                    | 3435        | 25134        | 7181           |
| 2560                    | 33.44 | 14.61                   | 52.3                    | 3482        | 26235        | 7496           |
| 2560                    | 35.20 | 13.88                   | 49.7                    | 3506        | 26863        | 7675           |
| 2560                    | 41.07 | 11.90                   | 42.6                    | 3571        | 28822        | 8235           |

## 5.3 IS GEAR REDUCER - 1750 RPM

## IS122

| $Mn_2$<br>[Nm] | $i$   | $Pn_1$<br>[kW] | $n_2$<br>[rpm] | $Fr_1$<br>[Nm] | $Fr_2$<br>D [N] | $Fr_2$<br>C-L [N] |
|----------------|-------|----------------|----------------|----------------|-----------------|-------------------|
| 2560           | 43.60 | 11.21          | 40.1           | 3594           | 29610           | 8460              |
| 2050           | 49.04 | 7.98           | 35.7           | 3702           | 30000           | 9526              |
| 2220           | 53.75 | 7.88           | 32.6           | 3705           | 30000           | 9690              |
| 2560           | 66.00 | 7.40           | 26.5           | 3720           | 30000           | 10148             |

## IS123

| $Mn_2$<br>[Nm] | $i$    | $Pn_1$<br>[kW] | $n_2$<br>[rpm] | $Fr_1$<br>[Nm] | $Fr_2$<br>D [N] | $Fr_2$<br>C-L [N] |
|----------------|--------|----------------|----------------|----------------|-----------------|-------------------|
| 2305           | 71.07  | 6.32           | 24.6           | 3761           | 30000           | 10780             |
| 2560           | 87.27  | 5.72           | 20.1           | 3780           | 30000           | 11200             |
| 2560           | 112.52 | 4.44           | 15.6           | 3822           | 30000           | 11200             |
| 2560           | 123.33 | 4.05           | 14.2           | 3834           | 30000           | 11200             |
| 2565           | 133.78 | 3.74           | 13.1           | 3845           | 30000           | 11200             |
| 2560           | 151.43 | 3.30           | 11.6           | 3859           | 30000           | 11200             |
| 2565           | 177.53 | 2.82           | 9.9            | 3874           | 30000           | 11200             |
| 2555           | 194.59 | 2.56           | 9.0            | 3882           | 30000           | 11200             |
| 2565           | 238.93 | 2.09           | 7.3            | 3898           | 30000           | 11200             |



## IS052

| Mn <sub>2</sub><br>[Nm] | i     | Pn <sub>1</sub><br>[kW] | n <sub>2</sub><br>[rpm] | Fr1<br>[Nm] | Fr2<br>D [N] | Fr2<br>C-L [N] |
|-------------------------|-------|-------------------------|-------------------------|-------------|--------------|----------------|
| 123                     | 8.63  | 2.18                    | 162.3                   | 718         | 3375         | 3375           |
| 137                     | 11.14 | 1.88                    | 125.7                   | 810         | 3644         | 3644           |
| 152                     | 13.66 | 1.70                    | 102.5                   | 869         | 3857         | 3857           |
| 174                     | 15.27 | 1.74                    | 91.7                    | 857         | 3874         | 3874           |
| 174                     | 16.29 | 1.63                    | 86.0                    | 891         | 3987         | 3987           |
| 174                     | 18.63 | 1.43                    | 75.1                    | 956         | 4231         | 4231           |
| 188                     | 21.04 | 1.36                    | 66.5                    | 974         | 4345         | 4345           |
| 188                     | 24.07 | 1.19                    | 58.2                    | 1029        | 4611         | 4611           |
| 208                     | 25.79 | 1.23                    | 54.3                    | 1013        | 4578         | 4578           |
| 208                     | 27.81 | 1.14                    | 50.3                    | 1042        | 4736         | 4736           |
| 208                     | 30.00 | 1.06                    | 46.7                    | 1069        | 4898         | 4898           |
| 256                     | 32.55 | 1.20                    | 43.0                    | 1084        | 5020         | 5020           |
| 282                     | 36.55 | 1.18                    | 38.3                    | 1091        | 5109         | 5109           |
| 298                     | 39.90 | 1.14                    | 35.1                    | 1100        | 5200         | 5200           |
| 298                     | 42.63 | 1.07                    | 32.8                    | 1119        | 5359         | 5359           |
| 298                     | 47.20 | 0.96                    | 29.7                    | 1147        | 5612         | 5612           |
| 298                     | 52.25 | 0.87                    | 26.8                    | 1172        | 5873         | 5873           |
| 298                     | 57.86 | 0.79                    | 24.2                    | 1195        | 6000         | 6000           |
| 298                     | 72.83 | 0.62                    | 19.2                    | 1238        | 6000         | 6000           |

## IS053

| Mn <sub>2</sub><br>[Nm] | i      | Pn <sub>1</sub><br>[kW] | n <sub>2</sub><br>[rpm] | Fr1<br>[Nm] | Fr2<br>D [N] | Fr2<br>C-L [N] |
|-------------------------|--------|-------------------------|-------------------------|-------------|--------------|----------------|
| 300                     | 74.20  | 0.63                    | 18.9                    | 1242        | 6000         | 6000           |
| 298                     | 95.84  | 0.48                    | 14.6                    | 1279        | 6000         | 6000           |
| 296                     | 117.48 | 0.39                    | 11.9                    | 1302        | 6000         | 6000           |
| 300                     | 137.45 | 0.34                    | 10.2                    | 1317        | 6000         | 6000           |
| 300                     | 177.55 | 0.26                    | 7.9                     | 1338        | 6000         | 6000           |
| 304                     | 198.45 | 0.24                    | 7.0                     | 1345        | 6000         | 6000           |
| 298                     | 217.64 | 0.21                    | 6.4                     | 1350        | 6000         | 6000           |
| 294                     | 256.33 | 0.18                    | 5.5                     | 1359        | 6000         | 6000           |
| 292                     | 314.21 | 0.14                    | 4.5                     | 1367        | 6000         | 6000           |

## IS062

| Mn <sub>2</sub><br>[Nm] | i     | Pn <sub>1</sub><br>[kW] | n <sub>2</sub><br>[rpm] | Fr1<br>[Nm] | Fr2<br>D [N] | Fr2<br>C-L [N] |
|-------------------------|-------|-------------------------|-------------------------|-------------|--------------|----------------|
| 238                     | 8.00  | 4.54                    | 175.0                   | 350         | 5225         | 2090           |
| 260                     | 9.55  | 4.16                    | 146.7                   | 441         | 5474         | 2190           |
| 282                     | 11.71 | 3.68                    | 119.6                   | 554         | 5825         | 2330           |
| 302                     | 13.36 | 3.45                    | 104.8                   | 602         | 6004         | 2401           |

## IS062

| Mn <sub>2</sub><br>[Nm] | i     | Pn <sub>1</sub><br>[kW] | n <sub>2</sub><br>[rpm] | Fr1<br>[Nm] | Fr2<br>D [N] | Fr2<br>C-L [N] |
|-------------------------|-------|-------------------------|-------------------------|-------------|--------------|----------------|
| 324                     | 15.94 | 3.10                    | 87.8                    | 684         | 6334         | 2533           |
| 332                     | 19.55 | 2.59                    | 71.6                    | 805         | 6911         | 2764           |
| 338                     | 23.18 | 2.23                    | 60.4                    | 888         | 7415         | 2966           |
| 346                     | 25.14 | 2.10                    | 55.7                    | 919         | 7635         | 3054           |
| 346                     | 27.66 | 1.91                    | 50.6                    | 963         | 7976         | 3190           |
| 360                     | 30.00 | 1.83                    | 46.7                    | 981         | 8149         | 3260           |
| 510                     | 36.57 | 2.13                    | 38.3                    | 988         | 8280         | 3312           |
| 510                     | 39.38 | 1.98                    | 35.6                    | 1018        | 8578         | 3431           |
| 510                     | 43.64 | 1.78                    | 32.1                    | 1056        | 9005         | 3602           |
| 510                     | 46.10 | 1.69                    | 30.4                    | 1075        | 9239         | 3695           |
| 510                     | 53.53 | 1.45                    | 26.1                    | 1121        | 9898         | 3959           |
| 510                     | 55.00 | 1.42                    | 25.4                    | 1129        | 10000        | 4000           |
| 510                     | 67.47 | 1.15                    | 20.8                    | 1181        | 10000        | 4000           |

## IS063

| Mn <sub>2</sub><br>[Nm] | i      | Pn <sub>1</sub><br>[kW] | n <sub>2</sub><br>[rpm] | Fr1<br>[Nm] | Fr2<br>D [N] | Fr2<br>C-L [N] |
|-------------------------|--------|-------------------------|-------------------------|-------------|--------------|----------------|
| 510                     | 81.43  | 0.98                    | 17.2                    | 1220        | 10000        | 4000           |
| 510                     | 99.89  | 0.80                    | 14.0                    | 1255        | 10000        | 4000           |
| 510                     | 126.43 | 0.63                    | 11.1                    | 1287        | 10000        | 4000           |
| 510                     | 150.85 | 0.53                    | 9.3                     | 1307        | 10000        | 4000           |
| 515                     | 185.05 | 0.43                    | 7.6                     | 1326        | 10000        | 4000           |
| 510                     | 217.79 | 0.37                    | 6.4                     | 1338        | 10000        | 4000           |
| 510                     | 267.16 | 0.30                    | 5.2                     | 1351        | 10000        | 4000           |

## IS082

| Mn <sub>2</sub><br>[Nm] | i     | Pn <sub>1</sub><br>[kW] | n <sub>2</sub><br>[rpm] | Fr1<br>[Nm] | Fr2<br>D [N] | Fr2<br>C-L [N] |
|-------------------------|-------|-------------------------|-------------------------|-------------|--------------|----------------|
| 396                     | 7.34  | 8.24                    | 190.8                   | 1261        | 12030        | 3437           |
| 432                     | 8.06  | 8.18                    | 173.6                   | 1273        | 12302        | 3515           |
| 470                     | 9.94  | 7.22                    | 140.8                   | 1482        | 13161        | 3760           |
| 505                     | 11.61 | 6.64                    | 120.6                   | 1598        | 13797        | 3942           |
| 540                     | 12.75 | 6.47                    | 109.8                   | 1632        | 14140        | 4040           |
| 555                     | 17.29 | 4.90                    | 81.0                    | 1962        | 15832        | 4523           |
| 555                     | 20.14 | 4.21                    | 69.5                    | 2107        | 16778        | 4794           |
| 575                     | 22.13 | 3.97                    | 63.3                    | 2154        | 17288        | 4939           |
| 575                     | 24.00 | 3.66                    | 58.3                    | 2219        | 17830        | 5094           |
| 650                     | 27.29 | 3.64                    | 51.3                    | 2228        | 18000        | 5253           |
| 650                     | 28.67 | 3.46                    | 48.8                    | 2264        | 18000        | 5354           |
| 850                     | 31.78 | 4.08                    | 44.1                    | 2262        | 18000        | 5474           |

## IS082

| Mn <sub>2</sub><br>[Nm] | i     | Pn <sub>1</sub><br>[kW] | n <sub>2</sub><br>[rpm] | Fr1<br>[Nm] | Fr2<br>D [N] | Fr2<br>C-L [N] |
|-------------------------|-------|-------------------------|-------------------------|-------------|--------------|----------------|
| 850                     | 34.91 | 3.72                    | 40.1                    | 2327        | 18000        | 5676           |
| 850                     | 40.05 | 3.24                    | 35.0                    | 2412        | 18000        | 5983           |
| 850                     | 43.05 | 3.01                    | 32.5                    | 2452        | 18000        | 6150           |
| 850                     | 50.25 | 2.58                    | 27.9                    | 2529        | 18000        | 6521           |
| 850                     | 54.27 | 2.39                    | 25.8                    | 2563        | 18000        | 6712           |
| 850                     | 61.98 | 2.09                    | 22.6                    | 2616        | 18000        | 7055           |

## IS083

| Mn <sub>2</sub><br>[Nm] | i      | Pn <sub>1</sub><br>[kW] | n <sub>2</sub><br>[rpm] | Fr1<br>[Nm] | Fr2<br>D [N] | Fr2<br>C-L [N] |
|-------------------------|--------|-------------------------|-------------------------|-------------|--------------|----------------|
| 850                     | 67.52  | 1.96                    | 20.7                    | 2646        | 18000        | 7200           |
| 850                     | 74.18  | 1.79                    | 18.9                    | 2677        | 18000        | 7200           |
| 850                     | 91.49  | 1.45                    | 15.3                    | 2735        | 18000        | 7200           |
| 850                     | 117.17 | 1.13                    | 11.9                    | 2791        | 18000        | 7200           |
| 850                     | 128.73 | 1.03                    | 10.9                    | 2808        | 18000        | 7200           |
| 850                     | 158.76 | 0.83                    | 8.8                     | 2842        | 18000        | 7200           |
| 850                     | 184.88 | 0.72                    | 7.6                     | 2863        | 18000        | 7200           |
| 855                     | 203.11 | 0.66                    | 6.9                     | 2874        | 18000        | 7200           |
| 850                     | 250.50 | 0.53                    | 5.6                     | 2895        | 18000        | 7200           |
| 845                     | 292.36 | 0.45                    | 4.8                     | 2908        | 18000        | 7200           |
| 845                     | 315.73 | 0.42                    | 4.4                     | 2914        | 18000        | 7200           |
| 845                     | 360.58 | 0.37                    | 3.9                     | 2923        | 18000        | 7200           |

## IS102

| Mn <sub>2</sub><br>[Nm] | i     | Pn <sub>1</sub><br>[kW] | n <sub>2</sub><br>[rpm] | Fr1<br>[Nm] | Fr2<br>D [N] | Fr2<br>C-L [N] |
|-------------------------|-------|-------------------------|-------------------------|-------------|--------------|----------------|
| 610                     | 8.06  | 11.55                   | 173.6                   | 647         | 15163        | 4332           |
| 650                     | 8.85  | 11.22                   | 158.3                   | 729         | 15574        | 4450           |
| 685                     | 10.88 | 9.61                    | 128.6                   | 1050        | 16712        | 4775           |
| 720                     | 12.75 | 8.62                    | 109.8                   | 1247        | 17610        | 5032           |
| 865                     | 13.99 | 9.44                    | 100.1                   | 1084        | 17719        | 5063           |
| 940                     | 17.21 | 8.34                    | 81.3                    | 1311        | 18935        | 5410           |
| 1010                    | 19.00 | 8.12                    | 73.7                    | 1352        | 19415        | 5547           |
| 1010                    | 22.13 | 6.97                    | 63.3                    | 1583        | 20603        | 5886           |
| 1080                    | 24.28 | 6.79                    | 57.7                    | 1616        | 21097        | 6028           |
| 1080                    | 26.33 | 6.26                    | 53.2                    | 1724        | 21777        | 6222           |
| 1080                    | 29.87 | 5.52                    | 46.9                    | 1873        | 22000        | 6533           |
| 1280                    | 32.40 | 6.03                    | 43.2                    | 1961        | 22000        | 6741           |
| 1195                    | 34.91 | 5.23                    | 40.1                    | 2098        | 22000        | 7011           |
| 1280                    | 38.30 | 5.10                    | 36.5                    | 2119        | 22000        | 7187           |

## IS102

| $Mn_2$<br>[Nm] | $i$   | $Pn_1$<br>[kW] | $n_2$<br>[rpm] | $Fr_1$<br>[Nm] | $Fr_2$<br>D [N] | $Fr_2$<br>C-L [N] |
|----------------|-------|----------------|----------------|----------------|-----------------|-------------------|
| 1110           | 44.00 | 3.85           | 31.8           | 2333           | 22000           | 7724              |
| 1365           | 47.13 | 4.42           | 29.7           | 2235           | 22000           | 7701              |
| 1110           | 55.14 | 3.07           | 25.4           | 2465           | 22000           | 8396              |
| 1365           | 59.40 | 3.51           | 23.6           | 2391           | 22000           | 8406              |
| 1365           | 67.84 | 3.07           | 20.6           | 2465           | 22000           | 8836              |

## IS103

| $Mn_2$<br>[Nm] | $i$    | $Pn_1$<br>[kW] | $n_2$<br>[rpm] | $Fr_1$<br>[Nm] | $Fr_2$<br>D [N] | $Fr_2$<br>C-L [N] |
|----------------|--------|----------------|----------------|----------------|-----------------|-------------------|
| 1365           | 74.18  | 2.87           | 18.9           | 2510           | 22000           | 9000              |
| 1365           | 81.39  | 2.62           | 17.2           | 2552           | 22000           | 9000              |
| 1365           | 100.15 | 2.13           | 14.0           | 2634           | 22000           | 9000              |
| 1365           | 110.55 | 1.93           | 12.7           | 2667           | 22000           | 9000              |
| 1365           | 128.73 | 1.65           | 10.9           | 2713           | 22000           | 9000              |
| 1365           | 141.24 | 1.51           | 9.9            | 2737           | 22000           | 9000              |
| 1370           | 173.78 | 1.23           | 8.1            | 2784           | 22000           | 9000              |
| 1365           | 203.11 | 1.05           | 6.9            | 2814           | 22000           | 9000              |
| 1365           | 222.85 | 0.96           | 6.3            | 2829           | 22000           | 9000              |
| 1365           | 274.20 | 0.78           | 5.1            | 2859           | 22000           | 9000              |
| 1370           | 320.79 | 0.67           | 4.4            | 2878           | 22000           | 9000              |
| 1360           | 345.60 | 0.61           | 4.0            | 2886           | 22000           | 9000              |
| 1360           | 394.69 | 0.54           | 3.5            | 2899           | 22000           | 9000              |

## IS122

| $Mn_2$<br>[Nm] | $i$   | $Pn_1$<br>[kW] | $n_2$<br>[rpm] | $Fr_1$<br>[Nm] | $Fr_2$<br>D [N] | $Fr_2$<br>C-L [N] |
|----------------|-------|----------------|----------------|----------------|-----------------|-------------------|
| 1080           | 8.48  | 19.44          | 165.1          | 2951           | 19587           | 5596              |
| 1225           | 9.30  | 20.12          | 150.6          | 2916           | 19606           | 5602              |
| 1370           | 11.42 | 18.33          | 122.6          | 3010           | 20674           | 5907              |
| 1590           | 12.63 | 19.23          | 110.9          | 2966           | 20480           | 5851              |
| 1735           | 13.84 | 19.14          | 101.2          | 2970           | 20608           | 5888              |
| 1880           | 16.99 | 16.89          | 82.4           | 3087           | 21932           | 6266              |
| 2020           | 21.25 | 14.52          | 65.9           | 3209           | 23608           | 6745              |
| 2095           | 23.29 | 13.74          | 60.1           | 3251           | 24280           | 6937              |
| 2165           | 26.15 | 12.64          | 53.5           | 3307           | 25277           | 7222              |
| 2165           | 28.60 | 11.56          | 49.0           | 3364           | 26374           | 7535              |
| 2560           | 30.51 | 12.81          | 45.9           | 3401           | 27189           | 7768              |
| 2560           | 33.44 | 11.69          | 41.9           | 3451           | 28374           | 8107              |
| 2560           | 35.20 | 11.11          | 39.8           | 3476           | 29050           | 8300              |
| 2560           | 41.07 | 9.52           | 34.1           | 3546           | 30000           | 8903              |

## IS122

| Mn <sub>2</sub><br>[Nm] | i     | Pn <sub>1</sub><br>[kW] | n <sub>2</sub><br>[rpm] | Fr1<br>[Nm] | Fr2<br>D [N] | Fr2<br>C-L [N] |
|-------------------------|-------|-------------------------|-------------------------|-------------|--------------|----------------|
| 2560                    | 43.60 | 8.97                    | 32.1                    | 3571        | 30000        | 9145           |
| 2050                    | 49.04 | 6.38                    | 28.6                    | 3685        | 30000        | 10285          |
| 2220                    | 53.75 | 6.31                    | 26.1                    | 3688        | 30000        | 10464          |
| 2560                    | 66.00 | 5.92                    | 21.2                    | 3705        | 30000        | 10962          |

## IS123

| Mn <sub>2</sub><br>[Nm] | i      | Pn <sub>1</sub><br>[kW] | n <sub>2</sub><br>[rpm] | Fr1<br>[Nm] | Fr2<br>D [N] | Fr2<br>C-L [N] |
|-------------------------|--------|-------------------------|-------------------------|-------------|--------------|----------------|
| 2305                    | 71.07  | 5.06                    | 19.7                    | 3748        | 30000        | 11200          |
| 2560                    | 87.27  | 4.57                    | 16.0                    | 3768        | 30000        | 11200          |
| 2560                    | 112.52 | 3.55                    | 12.4                    | 3813        | 30000        | 11200          |
| 2560                    | 123.33 | 3.24                    | 11.3                    | 3826        | 30000        | 11200          |
| 2565                    | 133.78 | 2.99                    | 10.5                    | 3837        | 30000        | 11200          |
| 2560                    | 151.43 | 2.64                    | 9.2                     | 3852        | 30000        | 11200          |
| 2565                    | 177.53 | 2.25                    | 7.9                     | 3869        | 30000        | 11200          |
| 2555                    | 194.59 | 2.05                    | 7.2                     | 3877        | 30000        | 11200          |
| 2565                    | 238.93 | 1.67                    | 5.9                     | 3894        | 30000        | 11200          |

## IS052

| Mn <sub>2</sub><br>[Nm] | i     | Pn <sub>1</sub><br>[kW] | n <sub>2</sub><br>[rpm] | Fr1<br>[Nm] | Fr2<br>D [N] | Fr2<br>C-L [N] |
|-------------------------|-------|-------------------------|-------------------------|-------------|--------------|----------------|
| 123                     | 8.63  | 1.77                    | 132.2                   | 700         | 3657         | 3657           |
| 137                     | 11.14 | 1.53                    | 102.3                   | 795         | 3949         | 3949           |
| 152                     | 13.66 | 1.38                    | 83.5                    | 855         | 4183         | 4183           |
| 174                     | 15.27 | 1.42                    | 74.6                    | 843         | 4209         | 4209           |
| 174                     | 16.29 | 1.33                    | 70.0                    | 878         | 4330         | 4330           |
| 174                     | 18.63 | 1.16                    | 61.2                    | 945         | 4591         | 4591           |
| 188                     | 21.04 | 1.11                    | 54.2                    | 964         | 4718         | 4718           |
| 188                     | 24.07 | 0.97                    | 47.4                    | 1019        | 5003         | 5003           |
| 208                     | 25.79 | 1.00                    | 44.2                    | 1003        | 4975         | 4975           |
| 208                     | 27.81 | 0.93                    | 41.0                    | 1033        | 5144         | 5144           |
| 208                     | 30.00 | 0.86                    | 38.0                    | 1060        | 5318         | 5318           |
| 256                     | 32.55 | 0.98                    | 35.0                    | 1076        | 5451         | 5451           |
| 282                     | 36.55 | 0.96                    | 31.2                    | 1083        | 5554         | 5554           |
| 298                     | 39.90 | 0.93                    | 28.6                    | 1092        | 5656         | 5656           |
| 298                     | 42.63 | 0.87                    | 26.7                    | 1112        | 5827         | 5827           |
| 298                     | 47.20 | 0.78                    | 24.1                    | 1141        | 6000         | 6000           |
| 298                     | 52.25 | 0.71                    | 21.8                    | 1166        | 6000         | 6000           |
| 298                     | 57.86 | 0.64                    | 19.7                    | 1190        | 6000         | 6000           |
| 298                     | 72.83 | 0.51                    | 15.7                    | 1234        | 6000         | 6000           |

## IS053

| Mn <sub>2</sub><br>[Nm] | i      | Pn <sub>1</sub><br>[kW] | n <sub>2</sub><br>[rpm] | Fr1<br>[Nm] | Fr2<br>D [N] | Fr2<br>C-L [N] |
|-------------------------|--------|-------------------------|-------------------------|-------------|--------------|----------------|
| 300                     | 74.20  | 0.51                    | 15.4                    | 1237        | 6000         | 6000           |
| 298                     | 95.84  | 0.39                    | 11.9                    | 1276        | 6000         | 6000           |
| 296                     | 117.48 | 0.32                    | 9.7                     | 1300        | 6000         | 6000           |
| 300                     | 137.45 | 0.28                    | 8.3                     | 1315        | 6000         | 6000           |
| 300                     | 177.55 | 0.21                    | 6.4                     | 1336        | 6000         | 6000           |
| 304                     | 198.45 | 0.19                    | 5.7                     | 1343        | 6000         | 6000           |
| 298                     | 217.64 | 0.17                    | 5.2                     | 1349        | 6000         | 6000           |
| 294                     | 256.33 | 0.15                    | 4.5                     | 1357        | 6000         | 6000           |
| 292                     | 314.21 | 0.12                    | 3.6                     | 1367        | 6000         | 6000           |

## IS062

| Mn <sub>2</sub><br>[Nm] | i     | Pn <sub>1</sub><br>[kW] | n <sub>2</sub><br>[rpm] | Fr1<br>[Nm] | Fr2<br>D [N] | Fr2<br>C-L [N] |
|-------------------------|-------|-------------------------|-------------------------|-------------|--------------|----------------|
| 238                     | 8.00  | 3.70                    | 142.5                   | 323         | 5686         | 2275           |
| 260                     | 9.55  | 3.39                    | 119.4                   | 416         | 5962         | 2385           |
| 282                     | 11.71 | 2.99                    | 97.4                    | 532         | 6346         | 2538           |
| 302                     | 13.36 | 2.81                    | 85.3                    | 581         | 6545         | 2618           |

## IS062

| Mn <sub>2</sub><br>[Nm] | i     | Pn <sub>1</sub><br>[kW] | n <sub>2</sub><br>[rpm] | Fr1<br>[Nm] | Fr2<br>D [N] | Fr2<br>C-L [N] |
|-------------------------|-------|-------------------------|-------------------------|-------------|--------------|----------------|
| 324                     | 15.94 | 2.53                    | 71.5                    | 666         | 6907         | 2763           |
| 332                     | 19.55 | 2.11                    | 58.3                    | 790         | 7527         | 3011           |
| 338                     | 23.18 | 1.81                    | 49.2                    | 875         | 8070         | 3228           |
| 346                     | 25.14 | 1.71                    | 45.3                    | 906         | 8308         | 3323           |
| 346                     | 27.66 | 1.56                    | 41.2                    | 952         | 8673         | 3469           |
| 360                     | 30.00 | 1.49                    | 38.0                    | 970         | 8864         | 3545           |
| 510                     | 36.57 | 1.73                    | 31.2                    | 977         | 9032         | 3613           |
| 510                     | 39.38 | 1.61                    | 28.9                    | 1008        | 9351         | 3740           |
| 510                     | 43.64 | 1.45                    | 26.1                    | 1047        | 9808         | 3923           |
| 510                     | 46.10 | 1.38                    | 24.7                    | 1066        | 10000        | 4000           |
| 510                     | 53.53 | 1.18                    | 21.3                    | 1114        | 10000        | 4000           |
| 510                     | 55.00 | 1.15                    | 20.7                    | 1122        | 10000        | 4000           |
| 510                     | 67.47 | 0.94                    | 16.9                    | 1175        | 10000        | 4000           |

## IS063

| Mn <sub>2</sub><br>[Nm] | i      | Pn <sub>1</sub><br>[kW] | n <sub>2</sub><br>[rpm] | Fr1<br>[Nm] | Fr2<br>D [N] | Fr2<br>C-L [N] |
|-------------------------|--------|-------------------------|-------------------------|-------------|--------------|----------------|
| 510                     | 81.43  | 0.80                    | 14.0                    | 1215        | 10000        | 4000           |
| 510                     | 99.89  | 0.65                    | 11.4                    | 1251        | 10000        | 4000           |
| 510                     | 126.43 | 0.51                    | 9.0                     | 1284        | 10000        | 4000           |
| 510                     | 150.85 | 0.43                    | 7.6                     | 1304        | 10000        | 4000           |
| 515                     | 185.05 | 0.35                    | 6.2                     | 1324        | 10000        | 4000           |
| 510                     | 217.79 | 0.30                    | 5.2                     | 1336        | 10000        | 4000           |
| 510                     | 267.16 | 0.24                    | 4.3                     | 1350        | 10000        | 4000           |

## IS082

| Mn <sub>2</sub><br>[Nm] | i     | Pn <sub>1</sub><br>[kW] | n <sub>2</sub><br>[rpm] | Fr1<br>[Nm] | Fr2<br>D [N] | Fr2<br>C-L [N] |
|-------------------------|-------|-------------------------|-------------------------|-------------|--------------|----------------|
| 396                     | 7.34  | 6.71                    | 155.3                   | 1218        | 12956        | 3702           |
| 432                     | 8.06  | 6.66                    | 141.4                   | 1230        | 13254        | 3787           |
| 470                     | 9.94  | 5.88                    | 114.6                   | 1444        | 14180        | 4052           |
| 505                     | 11.61 | 5.41                    | 98.2                    | 1563        | 14869        | 4248           |
| 540                     | 12.75 | 5.27                    | 89.4                    | 1599        | 15243        | 4355           |
| 555                     | 17.29 | 3.99                    | 65.9                    | 1936        | 17056        | 4873           |
| 555                     | 20.14 | 3.43                    | 56.6                    | 2085        | 18000        | 5163           |
| 575                     | 22.13 | 3.23                    | 51.5                    | 2134        | 18000        | 5320           |
| 575                     | 24.00 | 2.98                    | 47.5                    | 2200        | 18000        | 5485           |
| 650                     | 27.29 | 2.96                    | 41.8                    | 2209        | 18000        | 5660           |
| 650                     | 28.67 | 2.82                    | 39.8                    | 2246        | 18000        | 5767           |
| 850                     | 31.78 | 3.33                    | 35.9                    | 2244        | 18000        | 5900           |

## IS082

| Mn <sub>2</sub><br>[Nm] | i     | Pn <sub>1</sub><br>[kW] | n <sub>2</sub><br>[rpm] | Fr1<br>[Nm] | Fr2<br>D [N] | Fr2<br>C-L [N] |
|-------------------------|-------|-------------------------|-------------------------|-------------|--------------|----------------|
| 850                     | 34.91 | 3.03                    | 32.7                    | 2311        | 18000        | 6116           |
| 850                     | 40.05 | 2.64                    | 28.5                    | 2398        | 18000        | 6445           |
| 850                     | 43.05 | 2.45                    | 26.5                    | 2439        | 18000        | 6624           |
| 850                     | 50.25 | 2.10                    | 22.7                    | 2517        | 18000        | 7020           |
| 850                     | 54.27 | 1.95                    | 21.0                    | 2552        | 18000        | 7200           |
| 850                     | 61.98 | 1.71                    | 18.4                    | 2606        | 18000        | 7200           |

## IS083

| Mn <sub>2</sub><br>[Nm] | i      | Pn <sub>1</sub><br>[kW] | n <sub>2</sub><br>[rpm] | Fr1<br>[Nm] | Fr2<br>D [N] | Fr2<br>C-L [N] |
|-------------------------|--------|-------------------------|-------------------------|-------------|--------------|----------------|
| 850                     | 67.52  | 1.60                    | 16.9                    | 2638        | 18000        | 7200           |
| 850                     | 74.18  | 1.46                    | 15.4                    | 2669        | 18000        | 7200           |
| 850                     | 91.49  | 1.18                    | 12.5                    | 2729        | 18000        | 7200           |
| 850                     | 117.17 | 0.92                    | 9.7                     | 2786        | 18000        | 7200           |
| 850                     | 128.73 | 0.84                    | 8.9                     | 2804        | 18000        | 7200           |
| 850                     | 158.76 | 0.68                    | 7.2                     | 2838        | 18000        | 7200           |
| 850                     | 184.88 | 0.58                    | 6.2                     | 2859        | 18000        | 7200           |
| 855                     | 203.11 | 0.53                    | 5.6                     | 2871        | 18000        | 7200           |
| 850                     | 250.50 | 0.43                    | 4.5                     | 2893        | 18000        | 7200           |
| 845                     | 292.36 | 0.37                    | 3.9                     | 2906        | 18000        | 7200           |
| 845                     | 315.73 | 0.34                    | 3.6                     | 2912        | 18000        | 7200           |
| 845                     | 360.58 | 0.30                    | 3.2                     | 2922        | 18000        | 7200           |

## IS102

| Mn <sub>2</sub><br>[Nm] | i     | Pn <sub>1</sub><br>[kW] | n <sub>2</sub><br>[rpm] | Fr1<br>[Nm] | Fr2<br>D [N] | Fr2<br>C-L [N] |
|-------------------------|-------|-------------------------|-------------------------|-------------|--------------|----------------|
| 610                     | 8.06  | 9.41                    | 141.4                   | 589         | 16327        | 4665           |
| 650                     | 8.85  | 9.14                    | 128.9                   | 673         | 16772        | 4792           |
| 685                     | 10.88 | 7.83                    | 104.7                   | 1002        | 17996        | 5142           |
| 720                     | 12.75 | 7.02                    | 89.4                    | 1203        | 18963        | 5418           |
| 865                     | 13.99 | 7.69                    | 81.5                    | 1036        | 19103        | 5458           |
| 940                     | 17.21 | 6.79                    | 66.2                    | 1269        | 20416        | 5833           |
| 1010                    | 19.00 | 6.61                    | 60.0                    | 1311        | 20941        | 5983           |
| 1010                    | 22.13 | 5.68                    | 51.5                    | 1548        | 22000        | 6346           |
| 1080                    | 24.28 | 5.53                    | 47.0                    | 1582        | 22000        | 6501           |
| 1080                    | 26.33 | 5.10                    | 43.3                    | 1692        | 22000        | 6709           |
| 1080                    | 29.87 | 4.50                    | 38.2                    | 1845        | 22000        | 7042           |
| 1280                    | 32.40 | 4.91                    | 35.2                    | 1935        | 22000        | 7264           |
| 1195                    | 34.91 | 4.26                    | 32.7                    | 2076        | 22000        | 7550           |
| 1280                    | 38.30 | 4.16                    | 29.8                    | 2097        | 22000        | 7742           |



## IS102

| $Mn_2$<br>[Nm] | $i$   | $Pn_1$<br>[kW] | $n_2$<br>[rpm] | $Fr_1$<br>[Nm] | $Fr_2$<br>D [N] | $Fr_2$<br>C-L [N] |
|----------------|-------|----------------|----------------|----------------|-----------------|-------------------|
| 1110           | 44.00 | 3.14           | 25.9           | 2316           | 22000           | 8309              |
| 1365           | 47.13 | 3.60           | 24.2           | 2216           | 22000           | 8295              |
| 1110           | 55.14 | 2.50           | 20.7           | 2452           | 22000           | 9000              |
| 1365           | 59.40 | 2.86           | 19.2           | 2376           | 22000           | 9000              |
| 1365           | 67.84 | 2.50           | 16.8           | 2452           | 22000           | 9000              |

## IS103

| $Mn_2$<br>[Nm] | $i$    | $Pn_1$<br>[kW] | $n_2$<br>[rpm] | $Fr_1$<br>[Nm] | $Fr_2$<br>D [N] | $Fr_2$<br>C-L [N] |
|----------------|--------|----------------|----------------|----------------|-----------------|-------------------|
| 1365           | 74.18  | 2.34           | 15.4           | 2498           | 22000           | 9000              |
| 1365           | 81.39  | 2.13           | 14.0           | 2541           | 22000           | 9000              |
| 1365           | 100.15 | 1.73           | 11.4           | 2625           | 22000           | 9000              |
| 1365           | 110.55 | 1.57           | 10.3           | 2659           | 22000           | 9000              |
| 1365           | 128.73 | 1.35           | 8.9            | 2706           | 22000           | 9000              |
| 1365           | 141.24 | 1.23           | 8.1            | 2731           | 22000           | 9000              |
| 1370           | 173.78 | 1.00           | 6.6            | 2779           | 22000           | 9000              |
| 1365           | 203.11 | 0.85           | 5.6            | 2810           | 22000           | 9000              |
| 1365           | 222.85 | 0.78           | 5.1            | 2825           | 22000           | 9000              |
| 1365           | 274.20 | 0.63           | 4.2            | 2856           | 22000           | 9000              |
| 1370           | 320.79 | 0.54           | 3.5            | 2875           | 22000           | 9000              |
| 1360           | 345.60 | 0.50           | 3.3            | 2883           | 22000           | 9000              |
| 1360           | 394.69 | 0.44           | 2.9            | 2897           | 22000           | 9000              |

## IS122

| $Mn_2$<br>[Nm] | $i$   | $Pn_1$<br>[kW] | $n_2$<br>[rpm] | $Fr_1$<br>[Nm] | $Fr_2$<br>D [N] | $Fr_2$<br>C-L [N] |
|----------------|-------|----------------|----------------|----------------|-----------------|-------------------|
| 1080           | 8.48  | 15.83          | 134.4          | 2925           | 21217           | 6062              |
| 1225           | 9.30  | 16.38          | 122.6          | 2890           | 21272           | 6078              |
| 1370           | 11.42 | 14.92          | 99.9           | 2987           | 22449           | 6414              |
| 1590           | 12.63 | 15.66          | 90.3           | 2941           | 22293           | 6369              |
| 1735           | 13.84 | 15.59          | 82.4           | 2945           | 22464           | 6418              |
| 1880           | 16.99 | 13.76          | 67.1           | 3066           | 23915           | 6833              |
| 2020           | 21.25 | 11.82          | 53.6           | 3190           | 25743           | 7355              |
| 2095           | 23.29 | 11.18          | 48.9           | 3233           | 26480           | 7566              |
| 2165           | 26.15 | 10.29          | 43.6           | 3291           | 27563           | 7875              |
| 2165           | 28.60 | 9.41           | 39.9           | 3349           | 28737           | 8211              |
| 2560           | 30.51 | 10.43          | 37.4           | 3387           | 29609           | 8460              |
| 2560           | 33.44 | 9.52           | 34.1           | 3438           | 30000           | 8822              |
| 2560           | 35.20 | 9.04           | 32.4           | 3464           | 30000           | 9029              |
| 2560           | 41.07 | 7.75           | 27.8           | 3536           | 30000           | 9674              |

## IS122

| $Mn_2$<br>[Nm] | $i$   | $Pn_1$<br>[kW] | $n_2$<br>[rpm] | $Fr_1$<br>[Nm] | $Fr_2$<br>D [N] | $Fr_2$<br>C-L [N] |
|----------------|-------|----------------|----------------|----------------|-----------------|-------------------|
| 2560           | 43.60 | 7.30           | 26.1           | 3561           | 30000           | 9933              |
| 2050           | 49.04 | 5.20           | 23.2           | 3678           | 30000           | 11123             |
| 2220           | 53.75 | 5.14           | 21.2           | 3681           | 30000           | 11200             |
| 2560           | 66.00 | 4.82           | 17.3           | 3698           | 30000           | 11200             |

## IS123

| $Mn_2$<br>[Nm] | $i$    | $Pn_1$<br>[kW] | $n_2$<br>[rpm] | $Fr_1$<br>[Nm] | $Fr_2$<br>D [N] | $Fr_2$<br>C-L [N] |
|----------------|--------|----------------|----------------|----------------|-----------------|-------------------|
| 2305           | 71.07  | 4.12           | 16.0           | 3742           | 30000           | 11200             |
| 2560           | 87.27  | 3.73           | 13.1           | 3763           | 30000           | 11200             |
| 2560           | 112.52 | 2.89           | 10.1           | 3809           | 30000           | 11200             |
| 2560           | 123.33 | 2.64           | 9.2            | 3822           | 30000           | 11200             |
| 2565           | 133.78 | 2.43           | 8.5            | 3834           | 30000           | 11200             |
| 2560           | 151.43 | 2.15           | 7.5            | 3849           | 30000           | 11200             |
| 2565           | 177.53 | 1.83           | 6.4            | 3866           | 30000           | 11200             |
| 2555           | 194.59 | 1.67           | 5.9            | 3875           | 30000           | 11200             |
| 2565           | 238.93 | 1.36           | 4.8            | 3892           | 30000           | 11200             |

## IS052

| Mn <sub>2</sub><br>[Nm] | i     | Pn <sub>1</sub><br>[kW] | n <sub>2</sub><br>[rpm] | Fr1<br>[Nm] | Fr2<br>D [N] | Fr2<br>C-L [N] |
|-------------------------|-------|-------------------------|-------------------------|-------------|--------------|----------------|
| 123                     | 8.63  | 1.39                    | 104.3                   | 683         | 4011         | 4011           |
| 137                     | 11.14 | 1.20                    | 80.8                    | 781         | 4334         | 4334           |
| 152                     | 13.66 | 1.08                    | 65.9                    | 842         | 4593         | 4593           |
| 174                     | 15.27 | 1.11                    | 58.9                    | 830         | 4631         | 4631           |
| 174                     | 16.29 | 1.04                    | 55.3                    | 866         | 4762         | 4762           |
| 174                     | 18.63 | 0.91                    | 48.3                    | 934         | 5045         | 5045           |
| 188                     | 21.04 | 0.87                    | 42.8                    | 953         | 5189         | 5189           |
| 188                     | 24.07 | 0.76                    | 37.4                    | 1010        | 5496         | 5496           |
| 208                     | 25.79 | 0.78                    | 34.9                    | 994         | 5476         | 5476           |
| 208                     | 27.81 | 0.73                    | 32.4                    | 1024        | 5659         | 5659           |
| 208                     | 30.00 | 0.67                    | 30.0                    | 1052        | 5848         | 5848           |
| 256                     | 32.55 | 0.76                    | 27.6                    | 1068        | 5994         | 5994           |
| 282                     | 36.55 | 0.75                    | 24.6                    | 1075        | 6000         | 6000           |
| 298                     | 39.90 | 0.73                    | 22.6                    | 1084        | 6000         | 6000           |
| 298                     | 42.63 | 0.68                    | 21.1                    | 1105        | 6000         | 6000           |
| 298                     | 47.20 | 0.61                    | 19.1                    | 1134        | 6000         | 6000           |
| 298                     | 52.25 | 0.55                    | 17.2                    | 1161        | 6000         | 6000           |
| 298                     | 57.86 | 0.50                    | 15.6                    | 1184        | 6000         | 6000           |
| 298                     | 72.83 | 0.40                    | 12.4                    | 1230        | 6000         | 6000           |

## IS053

| Mn <sub>2</sub><br>[Nm] | i      | Pn <sub>1</sub><br>[kW] | n <sub>2</sub><br>[rpm] | Fr1<br>[Nm] | Fr2<br>D [N] | Fr2<br>C-L [N] |
|-------------------------|--------|-------------------------|-------------------------|-------------|--------------|----------------|
| 300                     | 74.20  | 0.40                    | 12.1                    | 1233        | 6000         | 6000           |
| 298                     | 95.84  | 0.31                    | 9.4                     | 1272        | 6000         | 6000           |
| 296                     | 117.48 | 0.25                    | 7.7                     | 1297        | 6000         | 6000           |
| 300                     | 137.45 | 0.22                    | 6.5                     | 1313        | 6000         | 6000           |
| 300                     | 177.55 | 0.17                    | 5.1                     | 1334        | 6000         | 6000           |
| 304                     | 198.45 | 0.15                    | 4.5                     | 1342        | 6000         | 6000           |
| 298                     | 217.64 | 0.14                    | 4.1                     | 1347        | 6000         | 6000           |
| 294                     | 256.33 | 0.11                    | 3.5                     | 1356        | 6000         | 6000           |
| 292                     | 314.21 | 0.09                    | 2.9                     | 1366        | 6000         | 6000           |

## IS062

| Mn <sub>2</sub><br>[Nm] | i     | Pn <sub>1</sub><br>[kW] | n <sub>2</sub><br>[rpm] | Fr1<br>[Nm] | Fr2<br>D [N] | Fr2<br>C-L [N] |
|-------------------------|-------|-------------------------|-------------------------|-------------|--------------|----------------|
| 238                     | 8.00  | 2.89                    | 112.5                   | 297         | 6269         | 2508           |
| 260                     | 9.55  | 2.65                    | 94.3                    | 392         | 6578         | 2631           |
| 282                     | 11.71 | 2.34                    | 76.9                    | 511         | 7004         | 2802           |
| 302                     | 13.36 | 2.20                    | 67.4                    | 561         | 7231         | 2892           |

## IS062

| $Mn_2$<br>[Nm] | i     | $Pn_1$<br>[kW] | n2<br>[rpm] | Fr1<br>[Nm] | Fr2<br>D [N] | Fr2<br>C-L [N] |
|----------------|-------|----------------|-------------|-------------|--------------|----------------|
| 324            | 15.94 | 1.98           | 56.5        | 648         | 7633         | 3053           |
| 332            | 19.55 | 1.65           | 46.0        | 775         | 8308         | 3323           |
| 338            | 23.18 | 1.42           | 38.8        | 862         | 8898         | 3559           |
| 346            | 25.14 | 1.34           | 35.8        | 894         | 9159         | 3663           |
| 346            | 27.66 | 1.22           | 32.5        | 941         | 9553         | 3821           |
| 360            | 30.00 | 1.17           | 30.0        | 960         | 9767         | 3907           |
| 510            | 36.57 | 1.36           | 24.6        | 967         | 9986         | 3994           |
| 510            | 39.38 | 1.26           | 22.9        | 998         | 10000        | 4000           |
| 510            | 43.64 | 1.14           | 20.6        | 1038        | 10000        | 4000           |
| 510            | 46.10 | 1.08           | 19.5        | 1058        | 10000        | 4000           |
| 510            | 53.53 | 0.93           | 16.8        | 1107        | 10000        | 4000           |
| 510            | 55.00 | 0.90           | 16.4        | 1115        | 10000        | 4000           |
| 510            | 67.47 | 0.73           | 13.3        | 1169        | 10000        | 4000           |

## IS063

| $Mn_2$<br>[Nm] | i      | $Pn_1$<br>[kW] | n2<br>[rpm] | Fr1<br>[Nm] | Fr2<br>D [N] | Fr2<br>C-L [N] |
|----------------|--------|----------------|-------------|-------------|--------------|----------------|
| 510            | 81.43  | 0.62           | 11.1        | 1210        | 10000        | 4000           |
| 510            | 99.89  | 0.51           | 9.0         | 1247        | 10000        | 4000           |
| 510            | 126.43 | 0.40           | 7.1         | 1281        | 10000        | 4000           |
| 510            | 150.85 | 0.34           | 6.0         | 1302        | 10000        | 4000           |
| 515            | 185.05 | 0.28           | 4.9         | 1321        | 10000        | 4000           |
| 510            | 217.79 | 0.23           | 4.1         | 1335        | 10000        | 4000           |
| 510            | 267.16 | 0.19           | 3.4         | 1348        | 10000        | 4000           |

## IS082

| $Mn_2$<br>[Nm] | i     | $Pn_1$<br>[kW] | n2<br>[rpm] | Fr1<br>[Nm] | Fr2<br>D [N] | Fr2<br>C-L [N] |
|----------------|-------|----------------|-------------|-------------|--------------|----------------|
| 396            | 7.34  | 5.24           | 122.6       | 1175        | 14112        | 4032           |
| 432            | 8.06  | 5.21           | 111.6       | 1188        | 14444        | 4127           |
| 470            | 9.94  | 4.59           | 90.5        | 1406        | 15455        | 4416           |
| 505            | 11.61 | 4.23           | 77.5        | 1529        | 16209        | 4631           |
| 540            | 12.75 | 4.12           | 70.6        | 1565        | 16623        | 4749           |
| 555            | 17.29 | 3.12           | 52.0        | 1910        | 18000        | 5311           |
| 555            | 20.14 | 2.68           | 44.7        | 2063        | 18000        | 5623           |
| 575            | 22.13 | 2.53           | 40.7        | 2113        | 18000        | 5795           |
| 575            | 24.00 | 2.33           | 37.5        | 2181        | 18000        | 5974           |
| 650            | 27.29 | 2.32           | 33.0        | 2190        | 18000        | 6168           |
| 650            | 28.67 | 2.20           | 31.4        | 2228        | 18000        | 6285           |
| 850            | 31.78 | 2.60           | 28.3        | 2226        | 18000        | 6433           |

## IS082

| Mn <sub>2</sub><br>[Nm] | i     | Pn <sub>1</sub><br>[kW] | n <sub>2</sub><br>[rpm] | Fr1<br>[Nm] | Fr2<br>D [N] | Fr2<br>C-L [N] |
|-------------------------|-------|-------------------------|-------------------------|-------------|--------------|----------------|
| 850                     | 34.91 | 2.37                    | 25.8                    | 2294        | 18000        | 6667           |
| 850                     | 40.05 | 2.06                    | 22.5                    | 2383        | 18000        | 7022           |
| 850                     | 43.05 | 1.92                    | 20.9                    | 2425        | 18000        | 7200           |
| 850                     | 50.25 | 1.64                    | 17.9                    | 2506        | 18000        | 7200           |
| 850                     | 54.27 | 1.52                    | 16.6                    | 2542        | 18000        | 7200           |
| 850                     | 61.98 | 1.33                    | 14.5                    | 2597        | 18000        | 7200           |

## IS083

| Mn <sub>2</sub><br>[Nm] | i      | Pn <sub>1</sub><br>[kW] | n <sub>2</sub><br>[rpm] | Fr1<br>[Nm] | Fr2<br>D [N] | Fr2<br>C-L [N] |
|-------------------------|--------|-------------------------|-------------------------|-------------|--------------|----------------|
| 850                     | 67.52  | 1.25                    | 13.3                    | 2629        | 18000        | 7200           |
| 850                     | 74.18  | 1.14                    | 12.1                    | 2661        | 18000        | 7200           |
| 850                     | 91.49  | 0.92                    | 9.8                     | 2723        | 18000        | 7200           |
| 850                     | 117.17 | 0.72                    | 7.7                     | 2781        | 18000        | 7200           |
| 850                     | 128.73 | 0.66                    | 7.0                     | 2799        | 18000        | 7200           |
| 850                     | 158.76 | 0.53                    | 5.7                     | 2835        | 18000        | 7200           |
| 850                     | 184.88 | 0.46                    | 4.9                     | 2856        | 18000        | 7200           |
| 855                     | 203.11 | 0.42                    | 4.4                     | 2868        | 18000        | 7200           |
| 850                     | 250.50 | 0.34                    | 3.6                     | 2891        | 18000        | 7200           |
| 845                     | 292.36 | 0.29                    | 3.1                     | 2904        | 18000        | 7200           |
| 845                     | 315.73 | 0.27                    | 2.9                     | 2911        | 18000        | 7200           |
| 845                     | 360.58 | 0.23                    | 2.5                     | 2920        | 18000        | 7200           |

## IS102

| Mn <sub>2</sub><br>[Nm] | i     | Pn <sub>1</sub><br>[kW] | n <sub>2</sub><br>[rpm] | Fr1<br>[Nm] | Fr2<br>D [N] | Fr2<br>C-L [N] |
|-------------------------|-------|-------------------------|-------------------------|-------------|--------------|----------------|
| 610                     | 8.06  | 7.35                    | 111.6                   | 530         | 17780        | 5080           |
| 650                     | 8.85  | 7.14                    | 101.7                   | 616         | 18268        | 5220           |
| 685                     | 10.88 | 6.12                    | 82.7                    | 953         | 19599        | 5600           |
| 720                     | 12.75 | 5.49                    | 70.6                    | 1160        | 20652        | 5901           |
| 865                     | 13.99 | 6.01                    | 64.3                    | 988         | 20834        | 5953           |
| 940                     | 17.21 | 5.31                    | 52.3                    | 1227        | 22000        | 6362           |
| 1010                    | 19.00 | 5.17                    | 47.4                    | 1270        | 22000        | 6529           |
| 1010                    | 22.13 | 4.44                    | 40.7                    | 1513        | 22000        | 6922           |
| 1080                    | 24.28 | 4.32                    | 37.1                    | 1548        | 22000        | 7093           |
| 1080                    | 26.33 | 3.99                    | 34.2                    | 1660        | 22000        | 7318           |
| 1080                    | 29.87 | 3.51                    | 30.1                    | 1818        | 22000        | 7678           |
| 1280                    | 32.40 | 3.84                    | 27.8                    | 1909        | 22000        | 7918           |
| 1195                    | 34.91 | 3.33                    | 25.8                    | 2054        | 22000        | 8223           |
| 1280                    | 38.30 | 3.25                    | 23.5                    | 2076        | 22000        | 8434           |

## IS102

| $Mn_2$<br>[Nm] | $i$   | $Pn_1$<br>[kW] | $n_2$<br>[rpm] | $Fr_1$<br>[Nm] | $Fr_2$<br>D [N] | $Fr_2$<br>C-L [N] |
|----------------|-------|----------------|----------------|----------------|-----------------|-------------------|
| 1110           | 44.00 | 2.45           | 20.4           | 2300           | 22000           | 9000              |
| 1365           | 47.13 | 2.82           | 19.1           | 2197           | 22000           | 9000              |
| 1110           | 55.14 | 1.96           | 16.3           | 2439           | 22000           | 9000              |
| 1365           | 59.40 | 2.23           | 15.2           | 2361           | 22000           | 9000              |
| 1365           | 67.84 | 1.96           | 13.3           | 2439           | 22000           | 9000              |

## IS103

| $Mn_2$<br>[Nm] | $i$    | $Pn_1$<br>[kW] | $n_2$<br>[rpm] | $Fr_1$<br>[Nm] | $Fr_2$<br>D [N] | $Fr_2$<br>C-L [N] |
|----------------|--------|----------------|----------------|----------------|-----------------|-------------------|
| 1365           | 74.18  | 1.83           | 12.1           | 2486           | 22000           | 9000              |
| 1365           | 81.39  | 1.66           | 11.1           | 2530           | 22000           | 9000              |
| 1365           | 100.15 | 1.35           | 9.0            | 2616           | 22000           | 9000              |
| 1365           | 110.55 | 1.23           | 8.1            | 2651           | 22000           | 9000              |
| 1365           | 128.73 | 1.05           | 7.0            | 2699           | 22000           | 9000              |
| 1365           | 141.24 | 0.96           | 6.4            | 2725           | 22000           | 9000              |
| 1370           | 173.78 | 0.78           | 5.2            | 2774           | 22000           | 9000              |
| 1365           | 203.11 | 0.67           | 4.4            | 2805           | 22000           | 9000              |
| 1365           | 222.85 | 0.61           | 4.0            | 2821           | 22000           | 9000              |
| 1365           | 274.20 | 0.49           | 3.3            | 2853           | 22000           | 9000              |
| 1370           | 320.79 | 0.42           | 2.8            | 2873           | 22000           | 9000              |
| 1360           | 345.60 | 0.39           | 2.6            | 2881           | 22000           | 9000              |
| 1360           | 394.69 | 0.34           | 2.3            | 2894           | 22000           | 9000              |

## IS122

| $Mn_2$<br>[Nm] | $i$   | $Pn_1$<br>[kW] | $n_2$<br>[rpm] | $Fr_1$<br>[Nm] | $Fr_2$<br>D [N] | $Fr_2$<br>C-L [N] |
|----------------|-------|----------------|----------------|----------------|-----------------|-------------------|
| 1080           | 8.48  | 12.38          | 106.1          | 2900           | 23269           | 6648              |
| 1225           | 9.30  | 12.81          | 96.8           | 2864           | 23372           | 6678              |
| 1370           | 11.42 | 11.66          | 78.8           | 2963           | 24689           | 7054              |
| 1590           | 12.63 | 12.24          | 71.3           | 2916           | 24586           | 7025              |
| 1735           | 13.84 | 12.19          | 65.0           | 2921           | 24815           | 7090              |
| 1880           | 16.99 | 10.75          | 53.0           | 3044           | 26428           | 7551              |
| 2020           | 21.25 | 9.24           | 42.4           | 3172           | 28448           | 8128              |
| 2095           | 23.29 | 8.74           | 38.6           | 3215           | 29267           | 8362              |
| 2165           | 26.15 | 8.05           | 34.4           | 3274           | 30000           | 8703              |
| 2165           | 28.60 | 7.36           | 31.5           | 3333           | 30000           | 9066              |
| 2560           | 30.51 | 8.15           | 29.5           | 3373           | 30000           | 9335              |
| 2560           | 33.44 | 7.44           | 26.9           | 3425           | 30000           | 9727              |
| 2560           | 35.20 | 7.07           | 25.6           | 3452           | 30000           | 9950              |
| 2560           | 41.07 | 6.06           | 21.9           | 3525           | 30000           | 10647             |

## IS122

| $Mn_2$<br>[Nm] | $i$   | $Pn_1$<br>[kW] | $n_2$<br>[rpm] | $Fr_1$<br>[Nm] | $Fr_2$<br>D [N] | $Fr_2$<br>C-L [N] |
|----------------|-------|----------------|----------------|----------------|-----------------|-------------------|
| 2560           | 43.60 | 5.71           | 20.6           | 3551           | 30000           | 10928             |
| 2050           | 49.04 | 4.06           | 18.4           | 3671           | 30000           | 11200             |
| 2220           | 53.75 | 4.01           | 16.7           | 3674           | 30000           | 11200             |
| 2560           | 66.00 | 3.77           | 13.6           | 3692           | 30000           | 11200             |

## IS123

| $Mn_2$<br>[Nm] | $i$    | $Pn_1$<br>[kW] | $n_2$<br>[rpm] | $Fr_1$<br>[Nm] | $Fr_2$<br>D [N] | $Fr_2$<br>C-L [N] |
|----------------|--------|----------------|----------------|----------------|-----------------|-------------------|
| 2305           | 71.07  | 3.22           | 12.7           | 3737           | 30000           | 11200             |
| 2560           | 87.27  | 2.91           | 10.3           | 3758           | 30000           | 11200             |
| 2560           | 112.52 | 2.26           | 8.0            | 3805           | 30000           | 11200             |
| 2560           | 123.33 | 2.06           | 7.3            | 3819           | 30000           | 11200             |
| 2565           | 133.78 | 1.90           | 6.7            | 3830           | 30000           | 11200             |
| 2560           | 151.43 | 1.68           | 5.9            | 3846           | 30000           | 11200             |
| 2565           | 177.53 | 1.43           | 5.1            | 3864           | 30000           | 11200             |
| 2555           | 194.59 | 1.30           | 4.6            | 3873           | 30000           | 11200             |
| 2565           | 238.93 | 1.07           | 3.8            | 3890           | 30000           | 11200             |

## IS052

| Mn <sub>2</sub><br>[Nm] | i     | Pn <sub>1</sub><br>[kW] | n <sub>2</sub><br>[rpm] | Fr1<br>[Nm] | Fr2<br>D [N] | Fr2<br>C-L [N] |
|-------------------------|-------|-------------------------|-------------------------|-------------|--------------|----------------|
| 123                     | 8.63  | 1.07                    | 81.2                    | 674         | 4435         | 4435           |
| 137                     | 11.14 | 0.93                    | 62.8                    | 773         | 4795         | 4795           |
| 152                     | 13.66 | 0.84                    | 51.3                    | 835         | 5086         | 5086           |
| 174                     | 15.27 | 0.86                    | 45.8                    | 823         | 5141         | 5141           |
| 174                     | 16.29 | 0.80                    | 43.0                    | 859         | 5283         | 5283           |
| 174                     | 18.63 | 0.70                    | 37.6                    | 928         | 5590         | 5590           |
| 188                     | 21.04 | 0.67                    | 33.3                    | 947         | 5756         | 5756           |
| 188                     | 24.07 | 0.59                    | 29.1                    | 1005        | 6000         | 6000           |
| 208                     | 25.79 | 0.61                    | 27.1                    | 989         | 6000         | 6000           |
| 208                     | 27.81 | 0.56                    | 25.2                    | 1019        | 6000         | 6000           |
| 208                     | 30.00 | 0.52                    | 23.3                    | 1047        | 6000         | 6000           |
| 256                     | 32.55 | 0.59                    | 21.5                    | 1064        | 6000         | 6000           |
| 282                     | 36.55 | 0.58                    | 19.1                    | 1071        | 6000         | 6000           |
| 298                     | 39.90 | 0.56                    | 17.5                    | 1081        | 6000         | 6000           |
| 298                     | 42.63 | 0.53                    | 16.4                    | 1101        | 6000         | 6000           |
| 298                     | 47.20 | 0.47                    | 14.8                    | 1131        | 6000         | 6000           |
| 298                     | 52.25 | 0.43                    | 13.4                    | 1158        | 6000         | 6000           |
| 298                     | 57.86 | 0.39                    | 12.1                    | 1182        | 6000         | 6000           |
| 298                     | 72.83 | 0.31                    | 9.6                     | 1228        | 6000         | 6000           |

## IS053

| Mn <sub>2</sub><br>[Nm] | i      | Pn <sub>1</sub><br>[kW] | n <sub>2</sub><br>[rpm] | Fr1<br>[Nm] | Fr2<br>D [N] | Fr2<br>C-L [N] |
|-------------------------|--------|-------------------------|-------------------------|-------------|--------------|----------------|
| 300                     | 74.20  | 0.31                    | 9.4                     | 1231        | 6000         | 6000           |
| 298                     | 95.84  | 0.24                    | 7.3                     | 1271        | 6000         | 6000           |
| 296                     | 117.48 | 0.19                    | 6.0                     | 1296        | 6000         | 6000           |
| 300                     | 137.45 | 0.17                    | 5.1                     | 1312        | 6000         | 6000           |
| 300                     | 177.55 | 0.13                    | 3.9                     | 1333        | 6000         | 6000           |
| 304                     | 198.45 | 0.12                    | 3.5                     | 1341        | 6000         | 6000           |
| 298                     | 217.64 | 0.11                    | 3.2                     | 1347        | 6000         | 6000           |
| 294                     | 256.33 | 0.09                    | 2.7                     | 1356        | 6000         | 6000           |
| 292                     | 314.21 | 0.07                    | 2.2                     | 1365        | 6000         | 6000           |

## IS062

| Mn <sub>2</sub><br>[Nm] | i     | Pn <sub>1</sub><br>[kW] | n <sub>2</sub><br>[rpm] | Fr1<br>[Nm] | Fr2<br>D [N] | Fr2<br>C-L [N] |
|-------------------------|-------|-------------------------|-------------------------|-------------|--------------|----------------|
| 238                     | 8.00  | 2.24                    | 87.5                    | 284         | 6975         | 2790           |
| 260                     | 9.55  | 2.05                    | 73.3                    | 380         | 7325         | 2930           |
| 282                     | 11.71 | 1.81                    | 59.8                    | 500         | 7803         | 3121           |
| 302                     | 13.36 | 1.70                    | 52.4                    | 551         | 8065         | 3226           |



## IS062

| Mn <sub>2</sub><br>[Nm] | i     | Pn <sub>1</sub><br>[kW] | n <sub>2</sub><br>[rpm] | Fr1<br>[Nm] | Fr2<br>D [N] | Fr2<br>C-L [N] |
|-------------------------|-------|-------------------------|-------------------------|-------------|--------------|----------------|
| 324                     | 15.94 | 1.53                    | 43.9                    | 639         | 8516         | 3407           |
| 332                     | 19.55 | 1.28                    | 35.8                    | 767         | 9254         | 3702           |
| 338                     | 23.18 | 1.10                    | 30.2                    | 856         | 9901         | 3960           |
| 346                     | 25.14 | 1.04                    | 27.8                    | 888         | 10000        | 4000           |
| 346                     | 27.66 | 0.94                    | 25.3                    | 935         | 10000        | 4000           |
| 360                     | 30.00 | 0.90                    | 23.3                    | 954         | 10000        | 4000           |
| 510                     | 36.57 | 1.05                    | 19.1                    | 961         | 10000        | 4000           |
| 510                     | 39.38 | 0.97                    | 17.8                    | 993         | 10000        | 4000           |
| 510                     | 43.64 | 0.88                    | 16.0                    | 1034        | 10000        | 4000           |
| 510                     | 46.10 | 0.83                    | 15.2                    | 1054        | 10000        | 4000           |
| 510                     | 53.53 | 0.72                    | 13.1                    | 1103        | 10000        | 4000           |
| 510                     | 55.00 | 0.70                    | 12.7                    | 1111        | 10000        | 4000           |
| 510                     | 67.47 | 0.57                    | 10.4                    | 1166        | 10000        | 4000           |

## IS063

| Mn <sub>2</sub><br>[Nm] | i      | Pn <sub>1</sub><br>[kW] | n <sub>2</sub><br>[rpm] | Fr1<br>[Nm] | Fr2<br>D [N] | Fr2<br>C-L [N] |
|-------------------------|--------|-------------------------|-------------------------|-------------|--------------|----------------|
| 510                     | 81.43  | 0.48                    | 8.6                     | 1208        | 10000        | 4000           |
| 510                     | 99.89  | 0.39                    | 7.0                     | 1245        | 10000        | 4000           |
| 510                     | 126.43 | 0.31                    | 5.5                     | 1279        | 10000        | 4000           |
| 510                     | 150.85 | 0.26                    | 4.6                     | 1300        | 10000        | 4000           |
| 515                     | 185.05 | 0.21                    | 3.8                     | 1320        | 10000        | 4000           |
| 510                     | 217.79 | 0.18                    | 3.2                     | 1334        | 10000        | 4000           |
| 510                     | 267.16 | 0.15                    | 2.6                     | 1348        | 10000        | 4000           |

## IS082

| Mn <sub>2</sub><br>[Nm] | i     | Pn <sub>1</sub><br>[kW] | n <sub>2</sub><br>[rpm] | Fr1<br>[Nm] | Fr2<br>D [N] | Fr2<br>C-L [N] |
|-------------------------|-------|-------------------------|-------------------------|-------------|--------------|----------------|
| 396                     | 7.34  | 4.06                    | 95.4                    | 1153        | 15474        | 4421           |
| 432                     | 8.06  | 4.03                    | 86.8                    | 1166        | 15847        | 4528           |
| 470                     | 9.94  | 3.56                    | 70.4                    | 1388        | 16959        | 4845           |
| 505                     | 11.61 | 3.27                    | 60.3                    | 1511        | 17790        | 5083           |
| 540                     | 12.75 | 3.19                    | 54.9                    | 1548        | 18000        | 5215           |
| 555                     | 17.29 | 2.41                    | 40.5                    | 1898        | 18000        | 5826           |
| 555                     | 20.14 | 2.07                    | 34.8                    | 2052        | 18000        | 6166           |
| 575                     | 22.13 | 1.95                    | 31.6                    | 2102        | 18000        | 6355           |
| 575                     | 24.00 | 1.80                    | 29.2                    | 2171        | 18000        | 6550           |
| 650                     | 27.29 | 1.79                    | 25.6                    | 2180        | 18000        | 6768           |
| 650                     | 28.67 | 1.71                    | 24.4                    | 2219        | 18000        | 6894           |
| 850                     | 31.78 | 2.01                    | 22.0                    | 2217        | 18000        | 7063           |

## 5.7 IS GEAR REDUCER - 700 RPM

## IS082

| Mn <sub>2</sub><br>[Nm] | i     | Pn <sub>1</sub><br>[kW] | n <sub>2</sub><br>[rpm] | Fr1<br>[Nm] | Fr2<br>D [N] | Fr2<br>C-L [N] |
|-------------------------|-------|-------------------------|-------------------------|-------------|--------------|----------------|
| 850                     | 34.91 | 1.83                    | 20.1                    | 2286        | 18000        | 7200           |
| 850                     | 40.05 | 1.60                    | 17.5                    | 2376        | 18000        | 7200           |
| 850                     | 43.05 | 1.49                    | 16.3                    | 2419        | 18000        | 7200           |
| 850                     | 50.25 | 1.27                    | 13.9                    | 2500        | 18000        | 7200           |
| 850                     | 54.27 | 1.18                    | 12.9                    | 2536        | 18000        | 7200           |
| 850                     | 61.98 | 1.03                    | 11.3                    | 2592        | 18000        | 7200           |

## IS083

| Mn <sub>2</sub><br>[Nm] | i      | Pn <sub>1</sub><br>[kW] | n <sub>2</sub><br>[rpm] | Fr1<br>[Nm] | Fr2<br>D [N] | Fr2<br>C-L [N] |
|-------------------------|--------|-------------------------|-------------------------|-------------|--------------|----------------|
| 850                     | 67.52  | 0.97                    | 10.4                    | 2625        | 18000        | 7200           |
| 850                     | 74.18  | 0.88                    | 9.4                     | 2657        | 18000        | 7200           |
| 850                     | 91.49  | 0.71                    | 7.7                     | 2720        | 18000        | 7200           |
| 850                     | 117.17 | 0.56                    | 6.0                     | 2778        | 18000        | 7200           |
| 850                     | 128.73 | 0.51                    | 5.4                     | 2797        | 18000        | 7200           |
| 850                     | 158.76 | 0.41                    | 4.4                     | 2833        | 18000        | 7200           |
| 850                     | 184.88 | 0.35                    | 3.8                     | 2855        | 18000        | 7200           |
| 855                     | 203.11 | 0.32                    | 3.5                     | 2867        | 18000        | 7200           |
| 850                     | 250.50 | 0.26                    | 2.8                     | 2889        | 18000        | 7200           |
| 845                     | 292.36 | 0.22                    | 2.4                     | 2903        | 18000        | 7200           |
| 845                     | 315.73 | 0.21                    | 2.2                     | 2910        | 18000        | 7200           |
| 845                     | 360.58 | 0.18                    | 1.9                     | 2919        | 18000        | 7200           |

## IS102

| Mn <sub>2</sub><br>[Nm] | i     | Pn <sub>1</sub><br>[kW] | n <sub>2</sub><br>[rpm] | Fr1<br>[Nm] | Fr2<br>D [N] | Fr2<br>C-L [N] |
|-------------------------|-------|-------------------------|-------------------------|-------------|--------------|----------------|
| 610                     | 8.06  | 5.69                    | 86.8                    | 501         | 19490        | 5569           |
| 650                     | 8.85  | 5.53                    | 79.1                    | 588         | 20031        | 5723           |
| 685                     | 10.88 | 4.73                    | 64.3                    | 929         | 21487        | 6139           |
| 720                     | 12.75 | 4.25                    | 54.9                    | 1138        | 22000        | 6469           |
| 865                     | 13.99 | 4.65                    | 50.0                    | 964         | 22000        | 6537           |
| 940                     | 17.21 | 4.11                    | 40.7                    | 1206        | 22000        | 6988           |
| 1010                    | 19.00 | 4.00                    | 36.8                    | 1250        | 22000        | 7175           |
| 1010                    | 22.13 | 3.43                    | 31.6                    | 1495        | 22000        | 7601           |
| 1080                    | 24.28 | 3.35                    | 28.8                    | 1531        | 22000        | 7793           |
| 1080                    | 26.33 | 3.09                    | 26.6                    | 1645        | 22000        | 8037           |
| 1080                    | 29.87 | 2.72                    | 23.4                    | 1804        | 22000        | 8429           |
| 1280                    | 32.40 | 2.97                    | 21.6                    | 1896        | 22000        | 8690           |
| 1195                    | 34.91 | 2.58                    | 20.1                    | 2042        | 22000        | 9000           |
| 1280                    | 38.30 | 2.51                    | 18.3                    | 2065        | 22000        | 9000           |

## IS102

| Mn <sub>2</sub><br>[Nm] | i     | Pn <sub>1</sub><br>[kW] | n <sub>2</sub><br>[rpm] | Fr1<br>[Nm] | Fr2<br>D [N] | Fr2<br>C-L [N] |
|-------------------------|-------|-------------------------|-------------------------|-------------|--------------|----------------|
| 1110                    | 44.00 | 1.90                    | 15.9                    | 2292        | 22000        | 9000           |
| 1365                    | 47.13 | 2.18                    | 14.8                    | 2188        | 22000        | 9000           |
| 1110                    | 55.14 | 1.51                    | 12.7                    | 2432        | 22000        | 9000           |
| 1365                    | 59.40 | 1.73                    | 11.8                    | 2353        | 22000        | 9000           |
| 1365                    | 67.84 | 1.51                    | 10.3                    | 2432        | 22000        | 9000           |

## IS103

| Mn <sub>2</sub><br>[Nm] | i      | Pn <sub>1</sub><br>[kW] | n <sub>2</sub><br>[rpm] | Fr1<br>[Nm] | Fr2<br>D [N] | Fr2<br>C-L [N] |
|-------------------------|--------|-------------------------|-------------------------|-------------|--------------|----------------|
| 1365                    | 74.18  | 1.41                    | 9.4                     | 2480        | 22000        | 9000           |
| 1365                    | 81.39  | 1.29                    | 8.6                     | 2525        | 22000        | 9000           |
| 1365                    | 100.15 | 1.05                    | 7.0                     | 2612        | 22000        | 9000           |
| 1365                    | 110.55 | 0.95                    | 6.3                     | 2647        | 22000        | 9000           |
| 1365                    | 128.73 | 0.81                    | 5.4                     | 2696        | 22000        | 9000           |
| 1365                    | 141.24 | 0.74                    | 5.0                     | 2722        | 22000        | 9000           |
| 1370                    | 173.78 | 0.61                    | 4.0                     | 2772        | 22000        | 9000           |
| 1365                    | 203.11 | 0.52                    | 3.5                     | 2803        | 22000        | 9000           |
| 1365                    | 222.85 | 0.47                    | 3.1                     | 2819        | 22000        | 9000           |
| 1365                    | 274.20 | 0.38                    | 2.5                     | 2851        | 22000        | 9000           |
| 1370                    | 320.79 | 0.33                    | 2.2                     | 2871        | 22000        | 9000           |
| 1360                    | 345.60 | 0.30                    | 2.0                     | 2880        | 22000        | 9000           |
| 1360                    | 394.69 | 0.26                    | 1.8                     | 2893        | 22000        | 9000           |

## IS122

| Mn <sub>2</sub><br>[Nm] | i     | Pn <sub>1</sub><br>[kW] | n <sub>2</sub><br>[rpm] | Fr1<br>[Nm] | Fr2<br>D [N] | Fr2<br>C-L [N] |
|-------------------------|-------|-------------------------|-------------------------|-------------|--------------|----------------|
| 1080                    | 8.48  | 9.58                    | 82.5                    | 2887        | 25726        | 7350           |
| 1225                    | 9.30  | 9.91                    | 75.3                    | 2851        | 25898        | 7399           |
| 1370                    | 11.42 | 9.03                    | 61.3                    | 2951        | 27388        | 7825           |
| 1590                    | 12.63 | 9.47                    | 55.4                    | 2903        | 27364        | 7818           |
| 1735                    | 13.84 | 9.43                    | 50.6                    | 2908        | 27673        | 7906           |
| 1880                    | 16.99 | 8.32                    | 41.2                    | 3033        | 29485        | 8424           |
| 2020                    | 21.25 | 7.15                    | 32.9                    | 3162        | 30000        | 9068           |
| 2095                    | 23.29 | 6.77                    | 30.1                    | 3206        | 30000        | 9331           |
| 2165                    | 26.15 | 6.23                    | 26.8                    | 3266        | 30000        | 9710           |
| 2165                    | 28.60 | 5.69                    | 24.5                    | 3326        | 30000        | 10104          |
| 2560                    | 30.51 | 6.31                    | 22.9                    | 3366        | 30000        | 10396          |
| 2560                    | 33.44 | 5.76                    | 20.9                    | 3419        | 30000        | 10822          |
| 2560                    | 35.20 | 5.47                    | 19.9                    | 3446        | 30000        | 11065          |
| 2560                    | 41.07 | 4.69                    | 17.1                    | 3520        | 30000        | 11200          |

## 5.7 IS GEAR REDUCER - 700 RPM

## IS122

| Mn <sub>2</sub><br>[Nm] | i     | Pn <sub>1</sub><br>[kW] | n <sub>2</sub><br>[rpm] | Fr1<br>[Nm] | Fr2<br>D [N] | Fr2<br>C-L [N] |
|-------------------------|-------|-------------------------|-------------------------|-------------|--------------|----------------|
| 2560                    | 43.60 | 4.42                    | 16.1                    | 3546        | 30000        | 11200          |
| 2050                    | 49.04 | 3.14                    | 14.3                    | 3667        | 30000        | 11200          |
| 2220                    | 53.75 | 3.11                    | 13.0                    | 3671        | 30000        | 11200          |
| 2560                    | 66.00 | 2.92                    | 10.6                    | 3688        | 30000        | 11200          |

## IS123

| Mn <sub>2</sub><br>[Nm] | i      | Pn <sub>1</sub><br>[kW] | n <sub>2</sub><br>[rpm] | Fr1<br>[Nm] | Fr2<br>D [N] | Fr2<br>C-L [N] |
|-------------------------|--------|-------------------------|-------------------------|-------------|--------------|----------------|
| 2305                    | 71.07  | 2.49                    | 9.8                     | 3734        | 30000        | 11200          |
| 2560                    | 87.27  | 2.25                    | 8.0                     | 3756        | 30000        | 11200          |
| 2560                    | 112.52 | 1.75                    | 6.2                     | 3803        | 30000        | 11200          |
| 2560                    | 123.33 | 1.59                    | 5.7                     | 3817        | 30000        | 11200          |
| 2565                    | 133.78 | 1.47                    | 5.2                     | 3829        | 30000        | 11200          |
| 2560                    | 151.43 | 1.30                    | 4.6                     | 3845        | 30000        | 11200          |
| 2565                    | 177.53 | 1.11                    | 3.9                     | 3863        | 30000        | 11200          |
| 2555                    | 194.59 | 1.01                    | 3.6                     | 3872        | 30000        | 11200          |
| 2565                    | 238.93 | 0.82                    | 2.9                     | 3889        | 30000        | 11200          |

## IS052

| Mn <sub>2</sub><br>[Nm] | i     | Pn <sub>1</sub><br>[kW] | n <sub>2</sub><br>[rpm] | Fr1<br>[Nm] | Fr2<br>D [N] | Fr2<br>C-L [N] |
|-------------------------|-------|-------------------------|-------------------------|-------------|--------------|----------------|
| 123                     | 8.63  | 0.76                    | 58.0                    | 666         | 5067         | 5067           |
| 137                     | 11.14 | 0.66                    | 44.9                    | 766         | 5482         | 5482           |
| 152                     | 13.66 | 0.60                    | 36.6                    | 829         | 5820         | 5820           |
| 174                     | 15.27 | 0.61                    | 32.7                    | 816         | 5901         | 5901           |
| 174                     | 16.29 | 0.57                    | 30.7                    | 853         | 6000         | 6000           |
| 174                     | 18.63 | 0.50                    | 26.8                    | 922         | 6000         | 6000           |
| 188                     | 21.04 | 0.48                    | 23.8                    | 942         | 6000         | 6000           |
| 188                     | 24.07 | 0.42                    | 20.8                    | 1000        | 6000         | 6000           |
| 208                     | 25.79 | 0.43                    | 19.4                    | 984         | 6000         | 6000           |
| 208                     | 27.81 | 0.40                    | 18.0                    | 1015        | 6000         | 6000           |
| 208                     | 30.00 | 0.37                    | 16.7                    | 1043        | 6000         | 6000           |
| 256                     | 32.55 | 0.42                    | 15.4                    | 1060        | 6000         | 6000           |
| 282                     | 36.55 | 0.41                    | 13.7                    | 1067        | 6000         | 6000           |
| 298                     | 39.90 | 0.40                    | 12.5                    | 1077        | 6000         | 6000           |
| 298                     | 42.63 | 0.37                    | 11.7                    | 1098        | 6000         | 6000           |
| 298                     | 47.20 | 0.34                    | 10.6                    | 1128        | 6000         | 6000           |
| 298                     | 52.25 | 0.30                    | 9.6                     | 1155        | 6000         | 6000           |
| 298                     | 57.86 | 0.28                    | 8.6                     | 1179        | 6000         | 6000           |
| 298                     | 72.83 | 0.22                    | 6.9                     | 1226        | 6000         | 6000           |

## IS053

| Mn <sub>2</sub><br>[Nm] | i      | Pn <sub>1</sub><br>[kW] | n <sub>2</sub><br>[rpm] | Fr1<br>[Nm] | Fr2<br>D [N] | Fr2<br>C-L [N] |
|-------------------------|--------|-------------------------|-------------------------|-------------|--------------|----------------|
| 300                     | 74.20  | 0.22                    | 6.7                     | 1229        | 6000         | 6000           |
| 298                     | 95.84  | 0.17                    | 5.2                     | 1269        | 6000         | 6000           |
| 296                     | 117.48 | 0.14                    | 4.3                     | 1294        | 6000         | 6000           |
| 300                     | 137.45 | 0.12                    | 3.6                     | 1311        | 6000         | 6000           |
| 300                     | 177.55 | 0.09                    | 2.8                     | 1332        | 6000         | 6000           |
| 304                     | 198.45 | 0.08                    | 2.5                     | 1340        | 6000         | 6000           |
| 298                     | 217.64 | 0.07                    | 2.3                     | 1346        | 6000         | 6000           |
| 294                     | 256.33 | 0.06                    | 1.9                     | 1355        | 6000         | 6000           |
| 292                     | 314.21 | 0.05                    | 1.6                     | 1365        | 6000         | 6000           |

## IS062

| Mn <sub>2</sub><br>[Nm] | i     | Pn <sub>1</sub><br>[kW] | n <sub>2</sub><br>[rpm] | Fr1<br>[Nm] | Fr2<br>D [N] | Fr2<br>C-L [N] |
|-------------------------|-------|-------------------------|-------------------------|-------------|--------------|----------------|
| 238                     | 8.00  | 1.59                    | 62.5                    | 270         | 8029         | 3212           |
| 260                     | 9.55  | 1.46                    | 52.4                    | 368         | 8442         | 3377           |
| 282                     | 11.71 | 1.29                    | 42.7                    | 490         | 8997         | 3599           |
| 302                     | 13.36 | 1.21                    | 37.4                    | 541         | 9310         | 3724           |

## IS062

| Mn <sub>2</sub><br>[Nm] | i     | Pn <sub>1</sub><br>[kW] | n <sub>2</sub><br>[rpm] | Fr1<br>[Nm] | Fr2<br>D [N] | Fr2<br>C-L [N] |
|-------------------------|-------|-------------------------|-------------------------|-------------|--------------|----------------|
| 324                     | 15.94 | 1.09                    | 31.4                    | 630         | 9837         | 3935           |
| 332                     | 19.55 | 0.91                    | 25.6                    | 759         | 10000        | 4000           |
| 338                     | 23.18 | 0.78                    | 21.6                    | 849         | 10000        | 4000           |
| 346                     | 25.14 | 0.74                    | 19.9                    | 882         | 10000        | 4000           |
| 346                     | 27.66 | 0.67                    | 18.1                    | 930         | 10000        | 4000           |
| 360                     | 30.00 | 0.64                    | 16.7                    | 949         | 10000        | 4000           |
| 510                     | 36.57 | 0.75                    | 13.7                    | 956         | 10000        | 4000           |
| 510                     | 39.38 | 0.69                    | 12.7                    | 988         | 10000        | 4000           |
| 510                     | 43.64 | 0.62                    | 11.5                    | 1029        | 10000        | 4000           |
| 510                     | 46.10 | 0.59                    | 10.8                    | 1050        | 10000        | 4000           |
| 510                     | 53.53 | 0.51                    | 9.3                     | 1100        | 10000        | 4000           |
| 510                     | 55.00 | 0.50                    | 9.1                     | 1108        | 10000        | 4000           |
| 510                     | 67.47 | 0.40                    | 7.4                     | 1163        | 10000        | 4000           |

## IS063

| Mn <sub>2</sub><br>[Nm] | i      | Pn <sub>1</sub><br>[kW] | n <sub>2</sub><br>[rpm] | Fr1<br>[Nm] | Fr2<br>D [N] | Fr2<br>C-L [N] |
|-------------------------|--------|-------------------------|-------------------------|-------------|--------------|----------------|
| 510                     | 81.43  | 0.34                    | 6.1                     | 1206        | 10000        | 4000           |
| 510                     | 99.89  | 0.28                    | 5.0                     | 1243        | 10000        | 4000           |
| 510                     | 126.43 | 0.22                    | 4.0                     | 1278        | 10000        | 4000           |
| 510                     | 150.85 | 0.18                    | 3.3                     | 1299        | 10000        | 4000           |
| 515                     | 185.05 | 0.15                    | 2.7                     | 1319        | 10000        | 4000           |
| 510                     | 217.79 | 0.13                    | 2.3                     | 1333        | 10000        | 4000           |
| 510                     | 267.16 | 0.10                    | 1.9                     | 1347        | 10000        | 4000           |

## IS082

| Mn <sub>2</sub><br>[Nm] | i     | Pn <sub>1</sub><br>[kW] | n <sub>2</sub><br>[rpm] | Fr1<br>[Nm] | Fr2<br>D [N] | Fr2<br>C-L [N] |
|-------------------------|-------|-------------------------|-------------------------|-------------|--------------|----------------|
| 396                     | 7.34  | 2.89                    | 68.1                    | 1132        | 17494        | 4998           |
| 432                     | 8.06  | 2.86                    | 62.0                    | 1145        | 17930        | 5123           |
| 470                     | 9.94  | 2.53                    | 50.3                    | 1369        | 18000        | 5483           |
| 505                     | 11.61 | 2.33                    | 43.1                    | 1494        | 18000        | 5754           |
| 540                     | 12.75 | 2.26                    | 39.2                    | 1531        | 18000        | 5907           |
| 555                     | 17.29 | 1.72                    | 28.9                    | 1885        | 18000        | 6592           |
| 555                     | 20.14 | 1.47                    | 24.8                    | 2041        | 18000        | 6972           |
| 575                     | 22.13 | 1.39                    | 22.6                    | 2092        | 18000        | 7186           |
| 575                     | 24.00 | 1.28                    | 20.8                    | 2162        | 18000        | 7200           |
| 650                     | 27.29 | 1.27                    | 18.3                    | 2171        | 18000        | 7200           |
| 650                     | 28.67 | 1.21                    | 17.4                    | 2210        | 18000        | 7200           |
| 850                     | 31.78 | 1.43                    | 15.7                    | 2208        | 18000        | 7200           |

## IS082

| Mn <sub>2</sub><br>[Nm] | i     | Pn <sub>1</sub><br>[kW] | n <sub>2</sub><br>[rpm] | Fr1<br>[Nm] | Fr2<br>D [N] | Fr2<br>C-L [N] |
|-------------------------|-------|-------------------------|-------------------------|-------------|--------------|----------------|
| 850                     | 34.91 | 1.30                    | 14.3                    | 2278        | 18000        | 7200           |
| 850                     | 40.05 | 1.13                    | 12.5                    | 2369        | 18000        | 7200           |
| 850                     | 43.05 | 1.06                    | 11.6                    | 2412        | 18000        | 7200           |
| 850                     | 50.25 | 0.90                    | 9.9                     | 2494        | 18000        | 7200           |
| 850                     | 54.27 | 0.84                    | 9.2                     | 2531        | 18000        | 7200           |
| 850                     | 61.98 | 0.73                    | 8.1                     | 2588        | 18000        | 7200           |

## IS083

| Mn <sub>2</sub><br>[Nm] | i      | Pn <sub>1</sub><br>[kW] | n <sub>2</sub><br>[rpm] | Fr1<br>[Nm] | Fr2<br>D [N] | Fr2<br>C-L [N] |
|-------------------------|--------|-------------------------|-------------------------|-------------|--------------|----------------|
| 850                     | 67.52  | 0.69                    | 7.4                     | 2620        | 18000        | 7200           |
| 850                     | 74.18  | 0.63                    | 6.7                     | 2653        | 18000        | 7200           |
| 850                     | 91.49  | 0.51                    | 5.5                     | 2717        | 18000        | 7200           |
| 850                     | 117.17 | 0.40                    | 4.3                     | 2776        | 18000        | 7200           |
| 850                     | 128.73 | 0.36                    | 3.9                     | 2795        | 18000        | 7200           |
| 850                     | 158.76 | 0.29                    | 3.1                     | 2831        | 18000        | 7200           |
| 850                     | 184.88 | 0.25                    | 2.7                     | 2853        | 18000        | 7200           |
| 855                     | 203.11 | 0.23                    | 2.5                     | 2865        | 18000        | 7200           |
| 850                     | 250.50 | 0.19                    | 2.0                     | 2888        | 18000        | 7200           |
| 845                     | 292.36 | 0.16                    | 1.7                     | 2902        | 18000        | 7200           |
| 845                     | 315.73 | 0.15                    | 1.6                     | 2909        | 18000        | 7200           |
| 845                     | 360.58 | 0.13                    | 1.4                     | 2918        | 18000        | 7200           |

## IS102

| Mn <sub>2</sub><br>[Nm] | i     | Pn <sub>1</sub><br>[kW] | n <sub>2</sub><br>[rpm] | Fr1<br>[Nm] | Fr2<br>D [N] | Fr2<br>C-L [N] |
|-------------------------|-------|-------------------------|-------------------------|-------------|--------------|----------------|
| 610                     | 8.06  | 4.05                    | 62.0                    | 471         | 22000        | 6293           |
| 650                     | 8.85  | 3.93                    | 56.5                    | 560         | 22000        | 6470           |
| 685                     | 10.88 | 3.36                    | 45.9                    | 905         | 22000        | 6939           |
| 720                     | 12.75 | 3.02                    | 39.2                    | 1116        | 22000        | 7312           |
| 865                     | 13.99 | 3.31                    | 35.7                    | 941         | 22000        | 7405           |
| 940                     | 17.21 | 2.92                    | 29.1                    | 1185        | 22000        | 7917           |
| 1010                    | 19.00 | 2.84                    | 26.3                    | 1229        | 22000        | 8134           |
| 1010                    | 22.13 | 2.44                    | 22.6                    | 1478        | 22000        | 8611           |
| 1080                    | 24.28 | 2.38                    | 20.6                    | 1513        | 22000        | 8833           |
| 1080                    | 26.33 | 2.19                    | 19.0                    | 1629        | 22000        | 9000           |
| 1080                    | 29.87 | 1.93                    | 16.7                    | 1790        | 22000        | 9000           |
| 1280                    | 32.40 | 2.11                    | 15.4                    | 1883        | 22000        | 9000           |
| 1195                    | 34.91 | 1.83                    | 14.3                    | 2031        | 22000        | 9000           |
| 1280                    | 38.30 | 1.79                    | 13.1                    | 2054        | 22000        | 9000           |

## IS102

| Mn <sub>2</sub><br>[Nm] | i     | Pn <sub>1</sub><br>[kW] | n <sub>2</sub><br>[rpm] | Fr1<br>[Nm] | Fr2<br>D [N] | Fr2<br>C-L [N] |
|-------------------------|-------|-------------------------|-------------------------|-------------|--------------|----------------|
| 1110                    | 44.00 | 1.35                    | 11.4                    | 2283        | 22000        | 9000           |
| 1365                    | 47.13 | 1.55                    | 10.6                    | 2178        | 22000        | 9000           |
| 1110                    | 55.14 | 1.08                    | 9.1                     | 2426        | 22000        | 9000           |
| 1365                    | 59.40 | 1.23                    | 8.4                     | 2346        | 22000        | 9000           |
| 1365                    | 67.84 | 1.08                    | 7.4                     | 2426        | 22000        | 9000           |

## IS103

| Mn <sub>2</sub><br>[Nm] | i      | Pn <sub>1</sub><br>[kW] | n <sub>2</sub><br>[rpm] | Fr1<br>[Nm] | Fr2<br>D [N] | Fr2<br>C-L [N] |
|-------------------------|--------|-------------------------|-------------------------|-------------|--------------|----------------|
| 1365                    | 74.18  | 1.00                    | 6.7                     | 2474        | 22000        | 9000           |
| 1365                    | 81.39  | 0.92                    | 6.1                     | 2520        | 22000        | 9000           |
| 1365                    | 100.15 | 0.74                    | 5.0                     | 2607        | 22000        | 9000           |
| 1365                    | 110.55 | 0.67                    | 4.5                     | 2643        | 22000        | 9000           |
| 1365                    | 128.73 | 0.58                    | 3.9                     | 2692        | 22000        | 9000           |
| 1365                    | 141.24 | 0.53                    | 3.5                     | 2718        | 22000        | 9000           |
| 1370                    | 173.78 | 0.43                    | 2.9                     | 2769        | 22000        | 9000           |
| 1365                    | 203.11 | 0.37                    | 2.5                     | 2801        | 22000        | 9000           |
| 1365                    | 222.85 | 0.33                    | 2.2                     | 2817        | 22000        | 9000           |
| 1365                    | 274.20 | 0.27                    | 1.8                     | 2850        | 22000        | 9000           |
| 1370                    | 320.79 | 0.23                    | 1.6                     | 2870        | 22000        | 9000           |
| 1360                    | 345.60 | 0.21                    | 1.4                     | 2878        | 22000        | 9000           |
| 1360                    | 394.69 | 0.19                    | 1.3                     | 2892        | 22000        | 9000           |

## IS122

| Mn <sub>2</sub><br>[Nm] | i     | Pn <sub>1</sub><br>[kW] | n <sub>2</sub><br>[rpm] | Fr1<br>[Nm] | Fr2<br>D [N] | Fr2<br>C-L [N] |
|-------------------------|-------|-------------------------|-------------------------|-------------|--------------|----------------|
| 1080                    | 8.48  | 6.81                    | 59.0                    | 2875        | 29386        | 8396           |
| 1225                    | 9.30  | 7.04                    | 53.8                    | 2838        | 29662        | 8475           |
| 1370                    | 11.42 | 6.42                    | 43.8                    | 2939        | 30000        | 8975           |
| 1590                    | 12.63 | 6.73                    | 39.6                    | 2891        | 30000        | 9004           |
| 1735                    | 13.84 | 6.70                    | 36.1                    | 2896        | 30000        | 9127           |
| 1880                    | 16.99 | 5.92                    | 29.4                    | 3022        | 30000        | 9729           |
| 2020                    | 21.25 | 5.08                    | 23.5                    | 3153        | 30000        | 10473          |
| 2095                    | 23.29 | 4.81                    | 21.5                    | 3197        | 30000        | 10779          |
| 2165                    | 26.15 | 4.43                    | 19.1                    | 3258        | 30000        | 11200          |
| 2165                    | 28.60 | 4.05                    | 17.5                    | 3318        | 30000        | 11200          |
| 2560                    | 30.51 | 4.49                    | 16.4                    | 3359        | 30000        | 11200          |
| 2560                    | 33.44 | 4.09                    | 14.9                    | 3412        | 30000        | 11200          |
| 2560                    | 35.20 | 3.89                    | 14.2                    | 3440        | 30000        | 11200          |
| 2560                    | 41.07 | 3.33                    | 12.2                    | 3515        | 30000        | 11200          |



## IS122

| $Mn_2$<br>[Nm] | $i$   | $Pn_1$<br>[kW] | $n_2$<br>[rpm] | $Fr_1$<br>[Nm] | $Fr_2$<br>D [N] | $Fr_2$<br>C-L [N] |
|----------------|-------|----------------|----------------|----------------|-----------------|-------------------|
| 2560           | 43.60 | 3.14           | 11.5           | 3541           | 30000           | 11200             |
| 2050           | 49.04 | 2.24           | 10.2           | 3664           | 30000           | 11200             |
| 2220           | 53.75 | 2.21           | 9.3            | 3667           | 30000           | 11200             |
| 2560           | 66.00 | 2.07           | 7.6            | 3685           | 30000           | 11200             |

## IS123

| $Mn_2$<br>[Nm] | $i$    | $Pn_1$<br>[kW] | $n_2$<br>[rpm] | $Fr_1$<br>[Nm] | $Fr_2$<br>D [N] | $Fr_2$<br>C-L [N] |
|----------------|--------|----------------|----------------|----------------|-----------------|-------------------|
| 2305           | 71.07  | 1.77           | 7.0            | 3731           | 30000           | 11200             |
| 2560           | 87.27  | 1.60           | 5.7            | 3753           | 30000           | 11200             |
| 2560           | 112.52 | 1.24           | 4.4            | 3801           | 30000           | 11200             |
| 2560           | 123.33 | 1.13           | 4.0            | 3815           | 30000           | 11200             |
| 2565           | 133.78 | 1.05           | 3.7            | 3827           | 30000           | 11200             |
| 2560           | 151.43 | 0.92           | 3.3            | 3843           | 30000           | 11200             |
| 2565           | 177.53 | 0.79           | 2.8            | 3861           | 30000           | 11200             |
| 2555           | 194.59 | 0.72           | 2.6            | 3870           | 30000           | 11200             |
| 2565           | 238.93 | 0.59           | 2.1            | 3888           | 30000           | 11200             |

All supplies effected by Motovario Group are governed exclusively by the general terms of sale that you can find on our website:

<http://www.motovario.com/eng/corporate/sales-conditions>

