



## RIVKLE® P2007

Pneumatic power tool for controlled setting of blind rivet nuts and studs

- Light
- Quick
- Flexible

# BOLLHOFF

**P2007 – For RIVKLE® blind rivet nut setting**

**Your benefits**

The P2007 achieves total consistency of setting as a result of pressure (force) control.

Your benefits:

- One setting load for variable material thicknesses
- Long tool life
- Setting cycles can be repeated
- Very light (2kg)

Range of use: M3 bis M10

Product Code: 23615601000

**Fast**

A simple pulse to mount RIVKLE®

Same tooling as BÖLLHOFF hand tools P2001 and P2005

Single trigger cycle

**Ergonomic**

Hook to suspend the tool

Glove improves feel for operator

Air deflector and noise filter integrated

Side air input with 360° rotation. Mounting either side (left or right)

**Robust**

Aluminium body

Ribbed plastic cover

Efficient tank protection

**Practical**

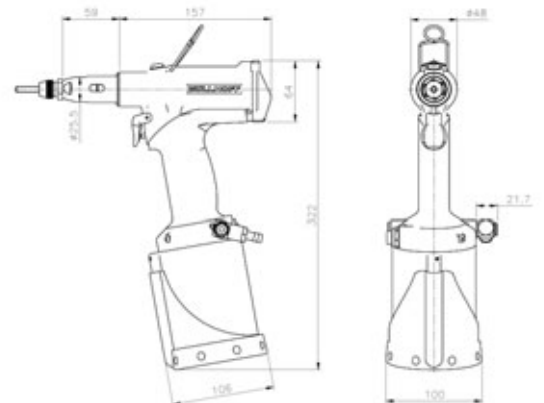
Reverse button

Color coding to reduce set-up time



**Technical data**

Setting capacity:	RIVKLE® M 3 to M 10
Maximum stroke:	7 mm
Maximum setting force:	20 kN
Operating air pressure:	5.5 bar min to 7 bar max
Weight:	2 kg
Air consumption:	8 l max per cycle
Noise level:	< 70 dB (A)
Cycle time:	10 to 15 RIVKLE® per minute
Dimensions:	Height: 322 mm, width: 216 mm
CE label:	Available
Guarantee:	1 year (except wearing parts)



Dimensional plan

# RIVKLE® P2007

	Ø RIVKLE®							
	M3	M4	M5	M6	M8	M10	M12	M14
Steel - Acier - Stahl - Acciaio - Acero		□	□	□	□	□		
Stainless steel - Inox - Edelstahl		□	□	□	□			
Aluminium - Alluminio - Aluminio			□	□	□	□	□	

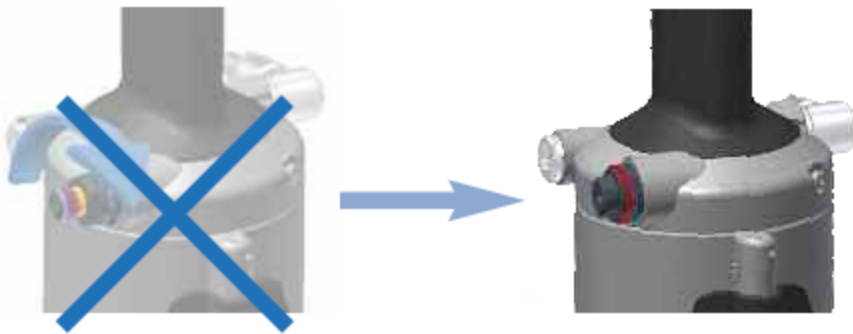


**F** = 3 500 N => 21 000 N

 **Kg** 2200 g

 **236 156 01000**

- Flexible and versatile
- Polyvalence pour un large choix d'applications
- Flexibel und vielseitig
- Flessibile e versatile
- Flexible y versátil



mono 5 500 N	236 156 01 039
mono 8 000 N	236 156 01 040
mono 9 000 N	236 156 01 021
mono 12 000 N	236 156 01 022
mono 16 000 N	236 156 01 023
mono 18 000 N	236 156 01 041



**P2007 – For RIVKLE® blind rivet nut setting**

**Packaging**



Each P2007 is delivered in a protective case, complete with:

- Instruction manual
- Adjustment tools
- An oil can



**Tooling for setting**

Setting each diameter of blind rivet nut and stud requires a different anvil and mandrel to form the complete tooling assembly. Please refer to the table below and choose the appropriate mandrel and anvil for your application.

	RIVKLE® Nuts			RIVKLE® Studs	
	MXX*	Mandrel		Anvil	Mandrel
	236 113 XX* 020	236 113 XX* 030		376 113 XX** 020	376 113 XX** 030

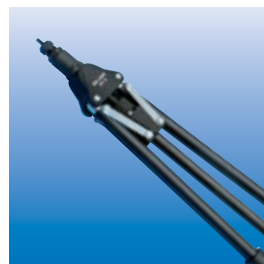
\*XX: Range from M3 to M10 - Example: 06 for M6  
 \*\*XX: Range from M5 to M8 - Example: 05 for M5



Special parts for replacement on request. Feel free to contact us – we will be glad to give you information.

**Range of installation equipment for RIVKLE® blind rivet nuts**

There exists a relationship between the levels of quality, speed and cost to achieve an optimised installation process and for this reason BÖLLHOFF produces a wide range of assembly solutions to suit your application. Please contact us for advice on the ideal choice of equipment.



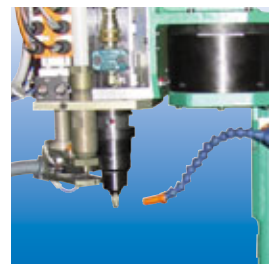
Range of manual installation tools



P2005 for setting by stroke M3–M12



EPK Compact integrating quality control and counting function



Automatic and semiautomatic setting

**Böllhoff International with companies in:**

Argentina  
Austria  
Brazil  
Canada  
China  
Czech Republic  
France  
Germany  
Hungary  
India  
Italy  
Japan  
Mexico  
Poland  
Romania  
Russia  
Slovakia  
South Africa  
Spain  
Turkey  
United Kingdom  
USA

Apart from these 22 countries, Böllhoff supports its international customers in other important industrial markets in close partnership with agents and dealers.

Subject to technical change.  
Reprinting, even in extract form, only permitted with express consent.  
Observe protective note according to DIN 34.

Böllhoff Verbindungstechnik GmbH  
Archimedesstraße 1-4 · 33649 Bielefeld · Germany  
Phone +49 (0)521 / 4482-05 (326) · Fax +49 (0)521 / 4482 - 658  
www.boellhoff.com · fasteningtechnology@boellhoff.com

