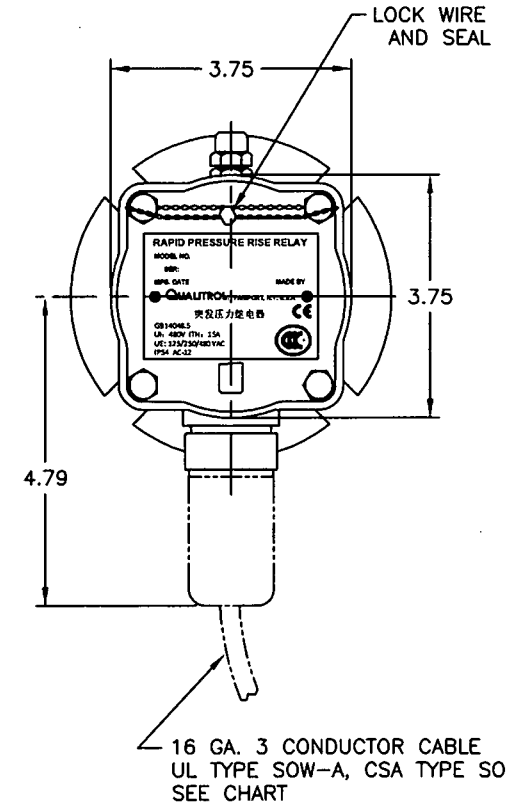
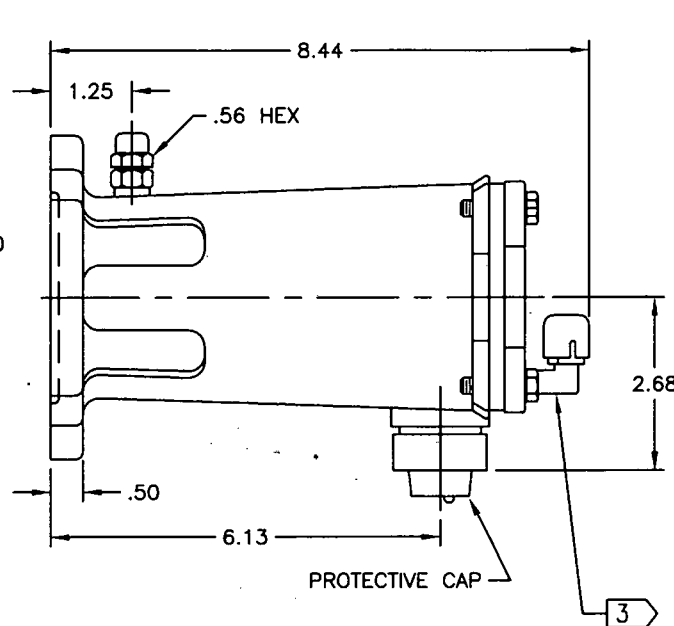
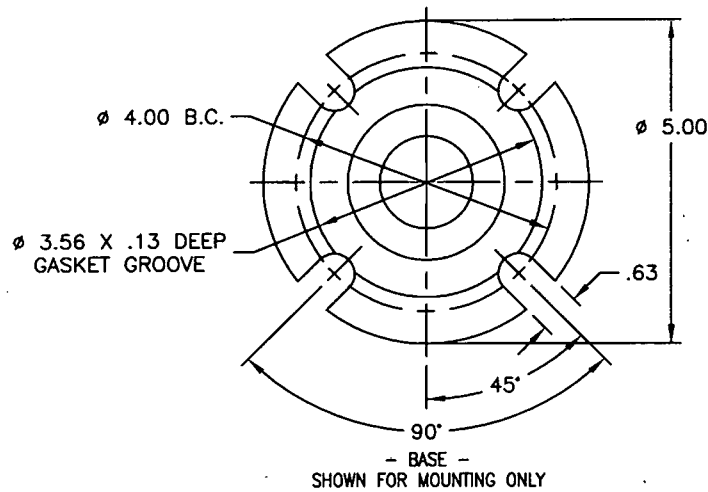


**NOTICE**  
THIS DRAWING IS THE PROPERTY OF QUALITROL COMPANY LLC AND IS LOANED ONLY ON THE CONDITION THAT IT WILL BE USED TO FACILITATE THE PURPOSE FOR WHICH INTENDED AND NOT BE REPRODUCED, COPIED OR OTHERWISE DISPOSED OF, AND IS NOT TO BE USED IN WHOLE OR PART FOR FURNISHING INFORMATION RELATIVE TO THE MAKING OF DRAWINGS, PARTS APPARATUS OR PARTS THEREOF, EXCEPT BY WRITTEN ORDER FROM QUALITROL COMPANY LLC.

MODEL NO. 900-014

**NOTES:**

1. MEETS QUALITROL PRODUCT PERFORMANCE SPECIFICATION PPS-9.
2. FOR OIL SPACE INSTALLATION ONLY
3. UNIT MUST BE MOUNTED HORIZONTALLY WITH VENT UP AS SHOWN.

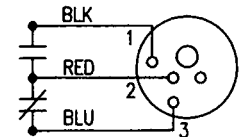


26330	11-12-07	900-014-09	—	YES	0.0 IN.	WITH PG-16 CONN. NUT
26330	11-12-07	900-014-08	—	YES	60.0 IN.	
26330	11-12-07	900-014-07	—	YES	30.0 IN.	
26330	11-12-07	900-014-06	—	YES	0.0 IN.	1/2 NPT CONN. NUT
26330	11-12-07	900-014-05	—	YES	84 IN.	
26330	11-12-07	900-014-04	- 55° C	NO	—	REPLACES 900-014-03
OBSOLETE 17074, 6/17/96		900-014-03	55° C	NO	—	
26330	11-12-07	900-014-02	—	NO	—	REPLACES 900-014-01
OBSOLETE 17074, 6/17/96		900-014-01	—	NO	—	
REVISION	DATE	MODEL NUMBER	LOW TEMP. TEST	CONNECTOR ASSEMBLY	CABLE LENGTH	REMARKS

**SWITCH RATINGS**

15 AMP @ 125, 250, 480 VAC  
.5 AMP @ 125 VDC - NON-INDUCTIVE  
.25 AMP @ 250 VDC - NON-INDUCTIVE

**WIRING DIAGRAM**



4-15-13	REV NAMEPLATE FOR CCC/CE	31153	
11-12-07	6.13 & 8.44 WERE 6.00 & 8.31	26330	
6-17-96	REDRAWN WAS B-SIZE; 3.75 WAS 3.56 (2 PLCS)	17074	
LET	DATE	ALTERATION	C.N.

**QUALITROL**

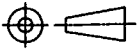
DIMENSIONS AND TOLERANCES IN ACCORDANCE WITH ASME Y14.5M-1994

PH. (585) 586-1515  
FAX (585) 377-0220

1385 FAIRPORT ROAD  
FAIRPORT, NY 14450  
FORM 0-473 REV. F 04/06/06

TITLE: RAPID PRESSURE RISE RELAY (OIL)

MODEL NO. 900-014



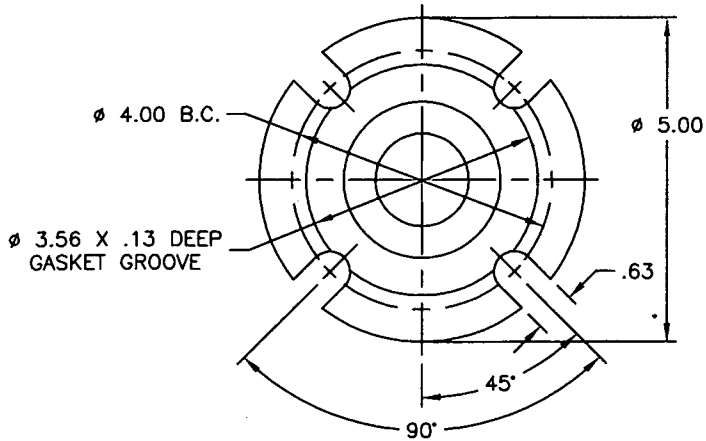
**NOTICE**  
 THIS DRAWING IS THE PROPERTY OF QUALITROL COMPANY LLC AND IS LOANED ONLY ON THE CONDITION THAT IT WILL BE USED TO FACILITATE THE PURPOSE FOR WHICH INTENDED AND NOT BE REPRODUCED, COPIED OR OTHERWISE DISPOSED OF, AND IS NOT TO BE USED IN WHOLE OR PART FOR FURNISHING INFORMATION RELATIVE TO THE MAKING OF DRAWINGS, PARTS APPARATUS OR PARTS THEREOF, EXCEPT BY WRITTEN ORDER FROM QUALITROL COMPANY LLC.

MODEL NO. 900-014

**NOTES:**

1. MEETS QUALITROL PRODUCT PERFORMANCE SPECIFICATION PPS-9.
2. FOR OIL SPACE INSTALLATION ONLY

3 UNIT MUST BE MOUNTED VERTICALLY WITH VENT UP AS SHOWN.

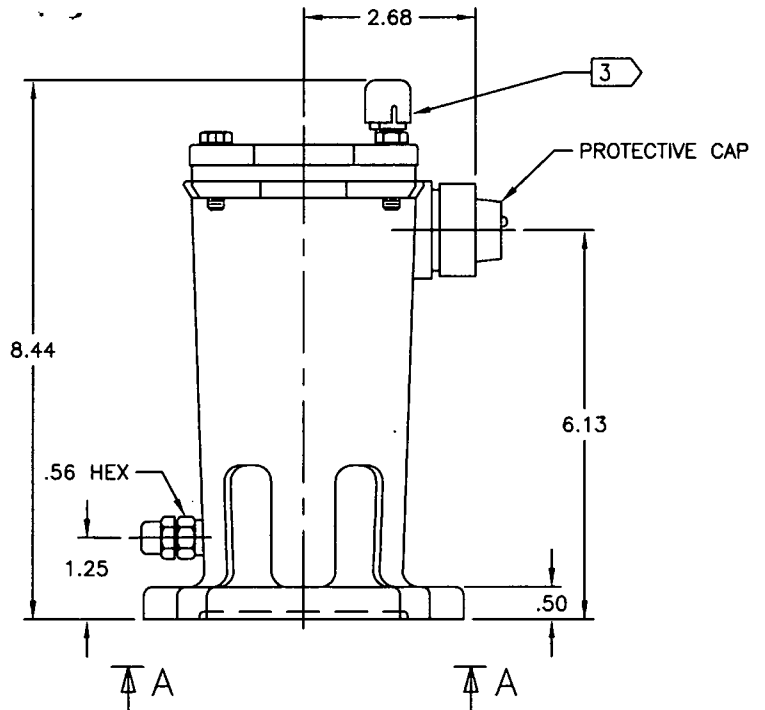
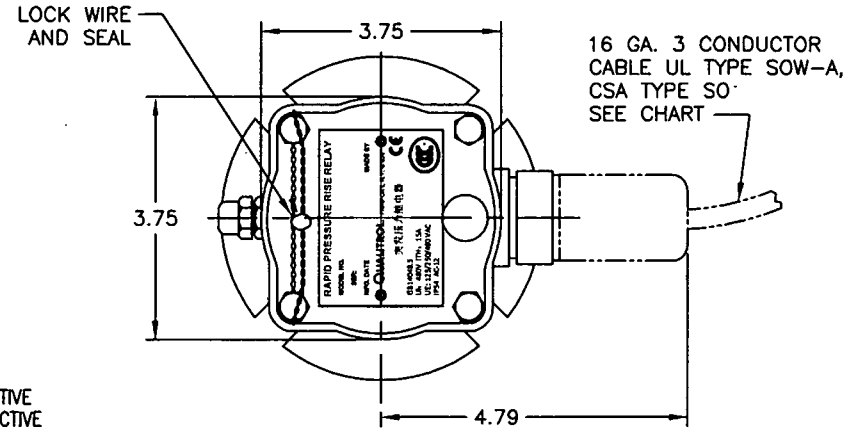
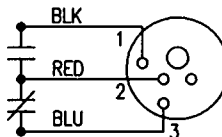


**VIEW A-A**  
 - BASE -  
 SHOWN FOR MOUNTING ONLY

**SWITCH RATINGS**

- 15 AMP @ 125, 250, 480 VAC
- .5 AMP @ 125 VDC - NON-INDUCTIVE
- .25 AMP @ 250 VDC - NON-INDUCTIVE

**WIRING DIAGRAM**



26330	11-12-07	900-014-37	—	YES	30 IN.	
26330	11-12-07	900-014-34	- 55° C	NO	—	
26330	11-12-07	900-014-32	—	NO	—	
REVISION	MODEL NUMBER	LOW TEMP. TEST	CONNECTOR ASSEMBLY	CABLE LENGTH	REMARKS	

**QUALITROL®**

DIMENSIONS AND TOLERANCES IN ACCORDANCE WITH ASME Y14.5M-1994

PH. (585) 586-1515  
 FAX (585) 377-0220

1385 FAIRPORT ROAD  
 FAIRPORT, NY 14450

FORM 0-473 REV. F 04/06/06

TITLE: RAPID PRESSURE RISE RELAY (OIL)

MODEL NO. 900-014

SH 2 OF 2