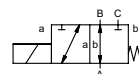
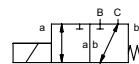


# coaxial valve

## type **MK 15 DR** **FK 15 DR**



**3/2 way valve** **direct acting**  
**pressure range** PN 0-40 bar  
**orifice** DN 15 mm  
**connection** thread/flange  
**function** valve normally closed (A ► B)  
**symbol** **NC**  
 valve normally open (A ► B)  
**symbol** **NO**



**⚠** Above stated body materials refer to the valve port connections that get in contact with the media only!

**design** pressure balanced, with spring return, switching overlap  
**body materials** ① brass ② steel, galvanized  
 ③ brass, nickel plated ⑤ without non-ferr. metals  
 ④ steel, nickel plated ⑥ stainless steel  
**valve seat** synthetic resin on metal  
**seal materials** NBR PTFE, FPM, CR, EPDM

**details needed**

- orifice
- port
- function NC/NO
- operating pressure
- inlet pressure at A, B or C
- flow rate
- media
- media temperature
- ambient temperature
- nominal voltage

**general specifications**

**options**

<b>ports</b>	MK threads G 3/8 - G 3/4	special threads
	FK flanges PN 16 / 40	special flanges
<b>function</b>	NC	NO
<b>pressure range</b>	0-16 / 0-40	
	A ⇒ B max. 40 / B ⇒ A max. 16 / A ⇒ C max. 40 / C ⇒ A max. 40	
<b>Kv value</b>	m³/h 4,3	
<b>vacuum</b>	leak rate	< 10 <sup>-6</sup> mbar·l·s <sup>-1</sup>
<b>pressure-vacuum</b>	P <sub>1</sub> ⇄ P <sub>2</sub>	upon request
<b>back pressure</b>	P <sub>2</sub> > P <sub>1</sub>	see pressure range
<b>media</b>		gaseous - liquid - highly viscous - gelatinous - contaminated
<b>abrasive media</b>		upon request
<b>damping</b>	opening	
	closing	
<b>flow direction</b>		see pressure range
<b>switching cycles</b>	1/min 200	
<b>switching time</b>	ms opening 80 closing 80	
<b>media temperature</b>	°C DC: -20 to +80	-40 to +160
	AC: -20 to +80	-40 to +160
<b>ambient temperature</b>	°C DC: -20 to +80	
	AC: -20 to +80	
<b>limit switches</b>		inductive / mech. (depend. on temperature)
<b>manual override</b>		available
<b>approvals</b>		LR/GL/WAZ
<b>mounting</b>		mounting brackets
<b>weight</b>	kg MK 4,3 FK 5,9	
<b>additional equipment</b>		upon request

**electrical specifications**

**options**

<b>nominal voltage</b>	U <sub>n</sub> DC 24 V	special voltage upon request
	U <sub>n</sub> AC 230 V 40-60 Hz	special voltage upon request
<b>actuation</b>	DC direct-current magnet	
	AC direct-current magnet with integrated rectifier	above 100 °C with separate rectifier
<b>insulating rating</b>	H 180°C	
<b>protection</b>	IP65	
<b>energized duty rating</b>	ED 100%	
<b>connection</b>	plug acc. DIN EN 175301-803 form A, 4 positions x90° / wire diameter 6-8 mm	terminal box M16x1,5
<b>optional additional equipment</b>	M12x1 connector acc. DESINA illuminated plug with varistor	connector acc. VDMA
<b>current consumption</b>	N-coil DC 24 V 1,60 A AC 230 V 40-60 Hz 0,15 A	
	H-coil	DC 24 V 2,30 A AC 230 V 40-60 Hz 0,24 A
<b>explosion proof</b>		
<b>limit switches</b>	inductive (I)	normally open-PNP
	inductive (B)	normally open-PNP
	mechanical	single pole double throw-SPDT

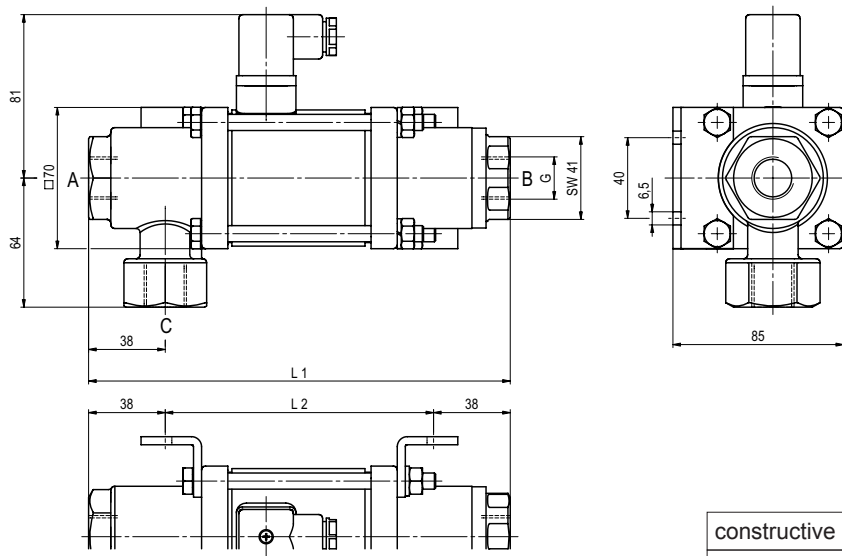
**⚠** The valves' technical design is based on media and application requirements. This can lead to deviations from the general specifications shown on the data sheet with regards to the design, sealing materials and characteristics.

**⚠** If order or application specifications are incomplete or imprecise there exists a risk of an incorrect technical design of the valve for the required application. As a consequence, the physical and / or chemical properties of the materials or seals used, may not be suitable for the intended application.

■ specifications not highlighted are standard  
 ■ specifications highlighted in grey are optional

## type MK 15 DR

function: **NC**  
closed when not energized (A ► B)



constructive length	L1	L2	L3
standard	209	133	265
with 1/2 inductive limit switches	249	173	305
with manual emergency (Hd)/ Hd and 1/2 ind. limit switches	249	173	305
with mechanical limit switches	249	173	305

flanges PN	DIN	ØD	Øk	Ød
16	EN 1092-1	95	65	14
40	EN 1092-1	95	65	14

## type FK 15 DR

function: **NO**  
open when not energized (A ► B)

