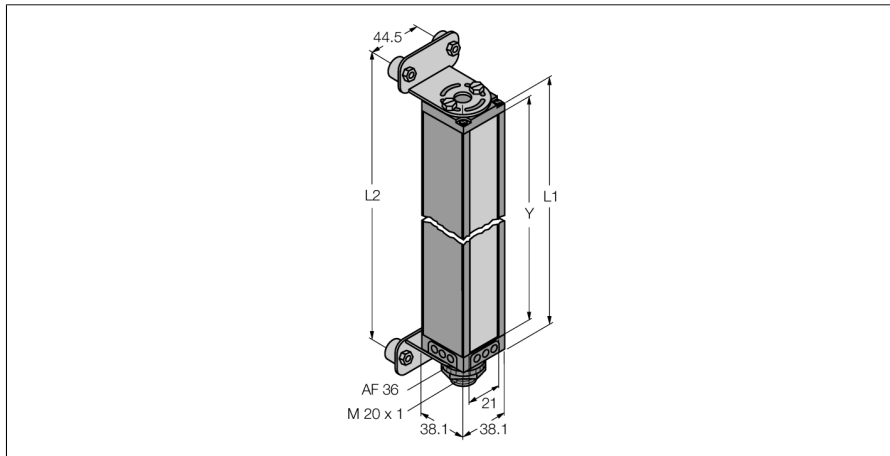


# Measuring Light Screen Receiver BMRL4216A



- Minimum target size 19 mm
- Scan field 1057 mm
- Max. sensing range 17 m
- Operating voltage 11.8...12.2 VDC (from controller)
- Protection class IP65
- Adjustment via software

### Functional principle

Measuring light screens are ideally suited for precise detection and inspection tasks such as product profiling, sizing, edge and centre guiding, hole and parts detection and the like. Each system consists of an emitter, receiver and a controller module, which is equipped with several switching and analogue outputs, depending on the specific version. The device also enables data transmission via RS232 or R485, either in a binary or ASCII code format. The scan times depend on the height of the measuring array and the adjusted scan mode. Detailed information can be taken from the instruction manual.

|                          |                                |
|--------------------------|--------------------------------|
| <b>Type designation</b>  | BMRL4216A                      |
| Ident no.                | 3039586                        |
| <b>Function</b>          | Opposed mode sensor (receiver) |
| Optical resolution       | 19 mm                          |
| Scan field               | 1048 mm                        |
| Number of beams          | 56                             |
| Ambient temperature      | -20...+70 °C                   |
| <b>Operating voltage</b> | 11.4...14 VDC                  |
| <b>Approvals</b>         | CE                             |
| Approvals                | cULus recognized               |
| <b>Design</b>            | Rectangular, Mini Array        |
| Dimensions               | 38.1 x 38.1 x 1115 mm          |
| Housing material         | Metal, AL                      |
| Lens                     | plastic, Acrylic               |
| Electrical connection    | Connector, 7/8"                |
| Protection class         | IP65                           |