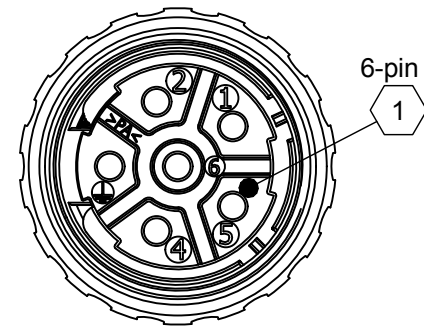
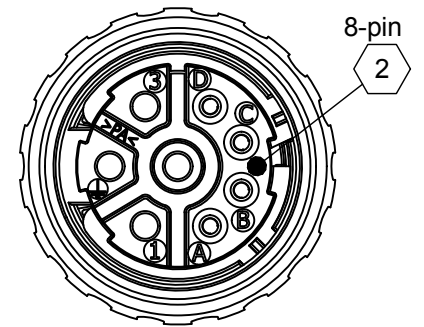


5 contact code

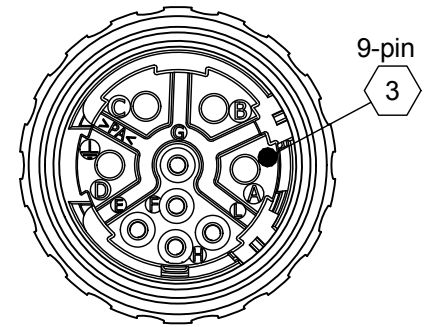
N 00 : without contacts



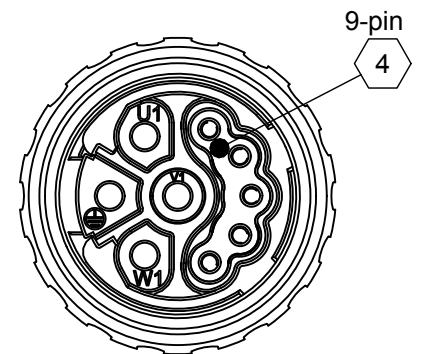
6-pin
1



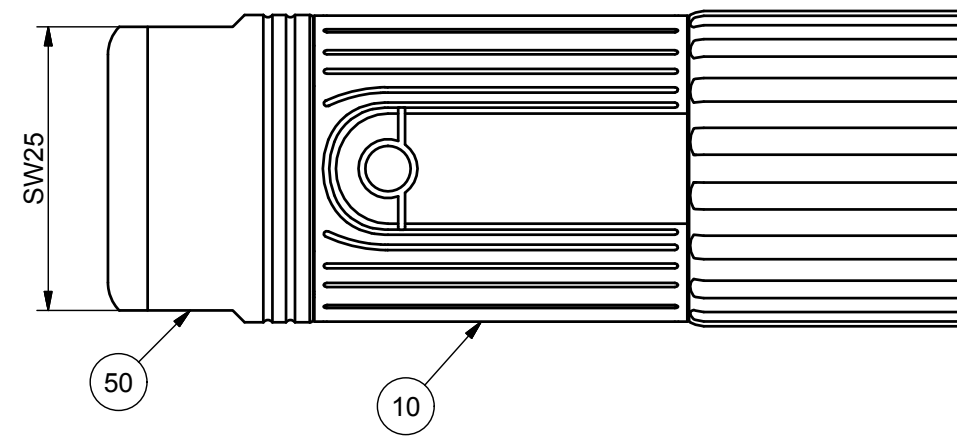
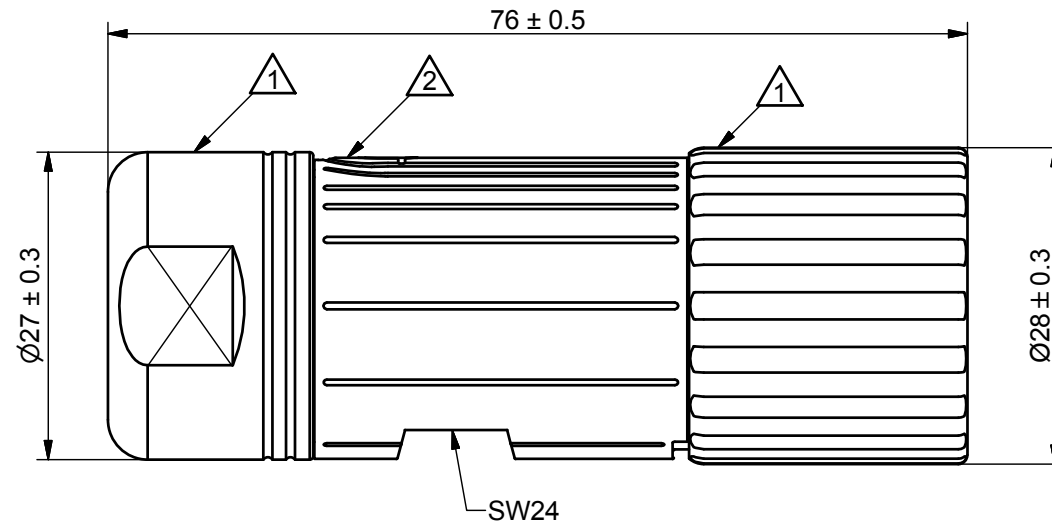
8-pin
2



9-pin
3



9-pin
4



note: all part numbers are for connectors without contacts!
For connectors including contacts replace code "N 00" with code **5**, see description on page 2.

- surface
- BSD: black chromated
 - 1** = NiCr b 6-20µm
 - 2** = NiCr b 6-20µm
 - BSA: nickel plated
 - 1** = flCu Ni 3-5µm
 - 2** = Cu 6-8µm Ni 4-6µm

1

6-pin, crown clamping		
TE part number	IC reference number	clamping range
BSA085N00430235000	BSTA085NN00430235000	4.2 mm to 6.6 mm
BSA085N00480235000	BSTA085NN00480235000	7.5 mm to 12.0 mm
BSA085N00420235000	BSTA085NN00420235000	9.5 mm to 14.5 mm

2

6-pin, lamella clamping		
TE part number	IC reference number	clamping range
BSA085N00110235000	BSTA085NN00110235000	4.2 mm to 6.6 mm
BSA085N00550235000	BSTA085NN00550235000	7.5 mm to 12.0 mm
BSA085N00580235000	BSTA085NN00580235000	9.5 mm to 14.5 mm
BSA085N00590235000	BSTA085NN00590235000	14.0 mm to 17.0 mm

3

8-pin, crown clamping		
TE part number	IC reference number	clamping range
BSA078N00430235000	BSTA078NN00430235000	4.2 mm to 6.6 mm
BSA078N00480235000	BSTA078NN00480235000	7.5 mm to 12.0 mm
BSA078N00420235000	BSTA078NN00420235000	9.5 mm to 14.5 mm

4

8-pin, lamella clamping		
TE part number	IC reference number	clamping range
BSA078N00110235000	BSTA078NN00110235000	4.2 mm to 6.6 mm
BSA078N00550235000	BSTA078NN00550235000	7.5 mm to 12.0 mm
BSA078N00580235000	BSTA078NN00580235000	9.5 mm to 14.5 mm
BSA078N00590235000	BSTA078NN00590235000	14.0 mm to 17.0 mm

9-pin, crown clamping		
TE part number	IC reference number	clamping range
BSA082N00430235000	BSTA082NN00430235000	4.2 mm to 6.6 mm
BSA082N00480235000	BSTA082NN00480235000	7.5 mm to 12.0 mm
BSA082N00420235000	BSTA082NN00420235000	9.5 mm to 14.5 mm

9-pin, lamella clamping		
TE part number	IC reference number	clamping range
BSA082N00110235000	BSTA082NN00110235000	4.2 mm to 6.6 mm
BSA082N00550235000	BSTA082NN00550235000	7.5 mm to 12.0 mm
BSA082N00580235000	BSTA082NN00580235000	9.5 mm to 14.5 mm
BSA082N00590235000	BSTA082NN00590235000	14.0 mm to 17.0 mm

9-pin, crown clamping		
TE part number	IC reference number	clamping range
BSA200N00430235000	BSTA200NN00430235000	4.2 mm to 6.6 mm
BSA200N00480235000	BSTA200NN00480235000	7.5 mm to 12.0 mm
BSA200N00420235000	BSTA200NN00420235000	9.5 mm to 14.5 mm

9-pin, lamella clamping		
TE part number	IC reference number	clamping range
BSA200N00110235000	BSTA200NN00110235000	4.2 mm to 6.6 mm
BSA200N00550235000	BSTA200NN00550235000	7.5 mm to 12.0 mm
BSA200N00580235000	BSTA200NN00580235000	9.5 mm to 14.5 mm
BSA200N00590235000	BSTA200NN00590235000	14.0 mm to 17.0 mm

assembly guidelines on www.intercontec.com/download/montageanleitungen

part list				
ITE	QTY	discription	material	surface/color
50	1	923 clamp ring	brass	1
40	1	923 cable clamp (inside)	PA 66/ 6 FKM	black black/green
30	1	923 shielding (inside)	brass	1
20	1	923 insulation insert (inside)	PA 66	black, white
10	1	923 plug housing, with insulation insert, mating side	zinc diecast brass PA66 FKM	2 1 red green

Weitergabe sowie Vervielfältigung dieser Unterlage, Verwertung und Mitteilung ihres Inhalts sind nicht gestattet, soweit nicht ausdrücklich zugestanden. Zuwiderhandlungen verpflichten zu Schadenersatz. Alle Rechte im Fall der Patenterteilung oder GM - Eintragung vorbehalten.

Transferand duplication of this base, utilization and communication of the contents are not permitted, until expressly conceded. Violation will result in a claim for damages. All rights reserved in case of a patent or utility model registration.

Alle Maße ohne Einheiten in mm
all dimensions without units in mm

Maßstab / scale 1,5 : 1
Zeichnungsnummer / drawing number 143632
Kundenzeichnung / customer drawing

Rev.	Index	Anderung	Bearbeitet	Datum	Name	Geprüft
A	001	0001	Schellenb	19.04.17	Schellenb	

TE intercontec products

10.01.2017 Schwingh 21.02.2017 Moncher
Datum Name Datum Name

Benennung / description
923 Stecker
923 plug

Teilenummer / part number
see list

Z-Art MZ Bl. 1 von 2
doc.number Y7-0556-000-000

5 contact code

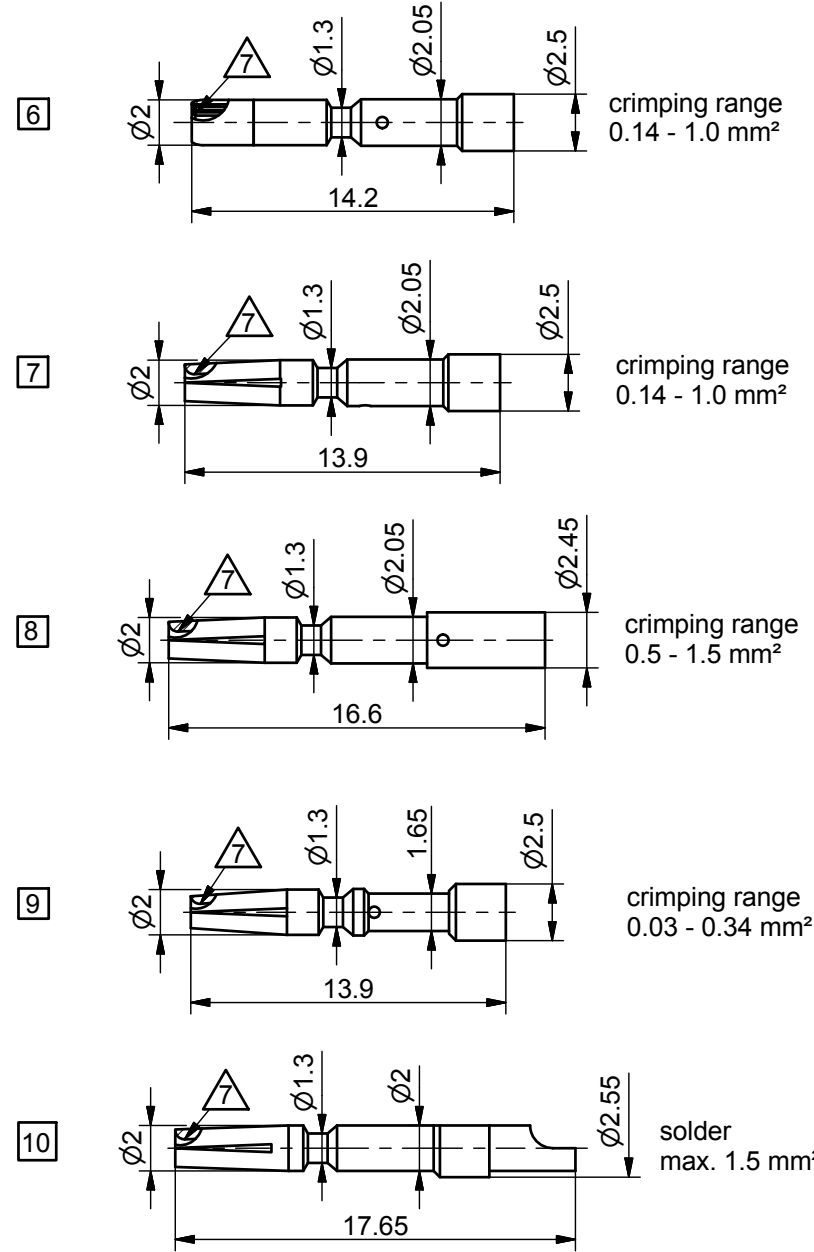
contact code for 9 pin

TE contact code	IC ref. code	power contact type	QTY	signal contact type	QTY
N 00	NN 00	-	0	-	0
F 06	FR 06	1	4	6	5
F 07	FR 07	0	0	6	5
F 08	FR 08	0	0	7	5
F 28	FR 28	1	4	8	5
F 32	FR 32	4	4	6	5
F 44	FR 44	3	4	6	5
F 46	FR 46	3	4	7	5
F 47	FR 47	2	4	7	5
F 49	FR 49	3	4	9	5
F 63	FR 63	1	4	7	5
F 68	FR 68	3	4	8	5

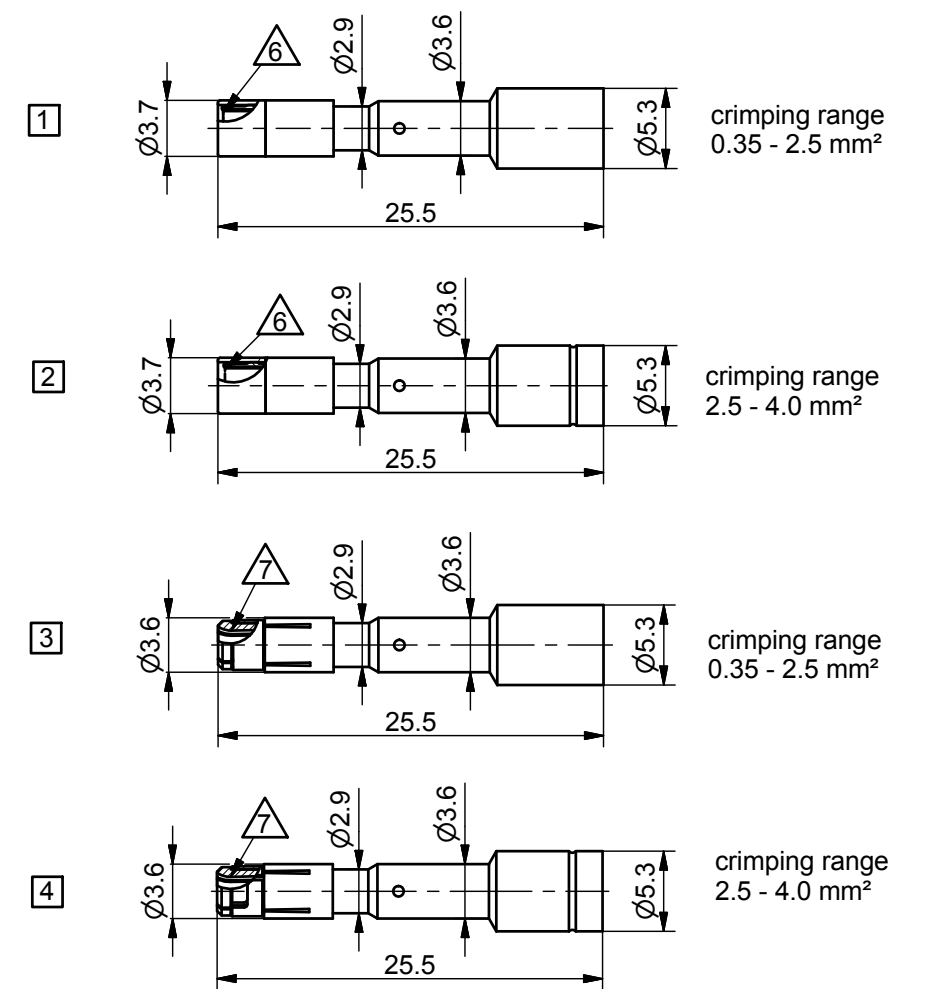
contact code for 8 pin

TE contact code	IC ref. code	power contact type	QTY	signal contact type	QTY
N 00	NN 00	-	0	-	0
F 01	FR 01	2	4	7	4
F 05	FR 05	1	4	6	4
F 17	FR 17	3	4	6	2
F 19	FR 19	1	4	7	4
F 26	FR 26	3	4	6	4
F 27	FR 27	1	4	8	4
F 29	FR 29	3	4	8	4
F 35	FR 35	2	4	6	4
F 37	FR 37	4	4	8	4
F 45	FR 45	4	4	7	4
F 48	FR 48	3	4	7	4
F 65	FR 65	4	4	6	4
P 24	FU 24	1	4	10	4
P 64	FU 64	3	4	10	4
F 14	FR 14	1	4	6	3
F 15	FR 15	2	4	6	3
F 42	FR 42	3	4	6	3
F 50	FR 50	3	4	6	2
F 36	FR 36	3	4	7	2
F 39	FR 39	4	4	7	2
F 51	FR 51	3	1	6	4
F 58	FR 58	1	4	8	2
F 59	FR 59	1	4	6	2
F 56	FR 56	1	5*	7	5*
F 25	FR 25	1	4	-	0

signal contact type: 1 mm scale 3 : 1



power contact type: 2 mm scale: 2 : 1



contact code for 6 pin

TE contact code	IC ref. code	power contact type	QTY
N 00	NN 00	-	0
F 03	FR 03	1	6
F 20	FR 20	1	8*
F 21	FR 21	1	3
F 23	FR 23	2	6
F 25	FR 25	1	4
F 33	FR 33	4	6
F 52	FR 52	3	4
F 54	FR 54	3	6
F 77	FR 77	3	2
		4	4
F 78	FR 78	1	2
		2	4
F 88	FR 88	1	2
		4	4

* QTY inclusive spare parts

surface

△6 = fl. Cu Ni1.27 Au0.2

△7 = fl. Cu Ni2 Au0.2

Weitergabe sowie Vervielfältigung dieser Unterlage, Verwertung und Mitteilung ihres Inhalts sind nicht gestattet, soweit nicht ausdrücklich zugestanden. Zuwiderhandlungen verpflichten zu Schadenersatz. Alle Rechte im Fall der Patenterteilung oder GM - Eintragung vorbehalten.

Transferand duplication of this base, utilization and communication of the contents are not permitted, until expressly conceded. Violation will result in a claim for damages. All rights reserved in case of a patent or utility model registration.

Alle Maße ohne Einheiten in mm
all dimensions without units in mm

Maßstab / scale
2:1 / 3:1
Zeichnungsnummer
drawing number
143632

Kundenzeichnung
customer drawing

Rev.	Index	Anderung	Bearbeitet	Geprüft
A	001	0001	19.04.17	Schellenb
			Datum	Name

Benennung / description
923 Stecker
923 Plug

TE Intercontec products

Datum	Name	Datum	Name
10.01.2017	Schwingh	21.02.2017	Moncher
Bearbeitet		Geprüft	

Teilenummer / part number
see list
Gewicht / weight
Z-Art
MZ
Bl. 2 von 2
doc.number
Y7-0556-000-000