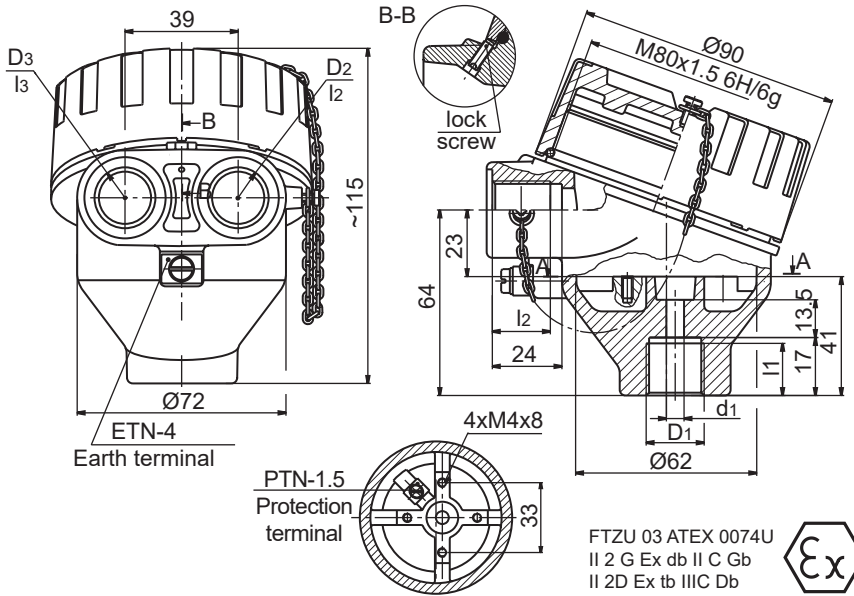


CONNECTION HEAD - type XD-AD



Flameproof
Zone 1, Zone 21
Zone 2, Zone 22



FTZU 03 ATEX 0074U
II 2 G Ex db II C Gb
II 2D Ex tb IIIC Db



IECEx FTZU 14.0003U
Ex db II C Gb
Ex tb IIIC Db



| (1) | XD-AD | ORDERING CODE | SPECIFICATION |
|-----|--|---------------|--|
| (2) | Material of elements | 4 | Metal parts - stainless steel; seals - silicone rubber |
| | | 5 | Metal parts - stainless steel; seals - fluoroelastomer rubber |
| (3) | Cable gland thread D ₂ /D ₃ Please choose two variants of thread, separately for D ₂ and D ₃ For example: XD-AD-4-M2/CD... | M2 | M20x1.5 6H |
| | | G2 | G½; BSP½ (without cert.) |
| | | G3 | G¾; BSP¾ (without cert.) |
| | | G4 | G¾; BSP¾ (without cert.) |
| | | N2 | ½NPTmod - modified ac. to OIT-17/03 |
| | | N3 | ¾NPTmod - modified ac. to OIT-17/03 |
| (4) | Type of process thread D ₁ | CD | CD = closed (D ₃ only) |
| | | M2 | M20x1.5 6H |
| | | M24 | M24x1.5 6H |
| | | M27 | M27x2 6H |
| | | G2 | G½; BSP½ * |
| | | G3 | G¾; BSP¾ * |
| | | G4 | G¾; BSP¾ * |
| (5) | Symbol of hole d ₁ diameter | 6 | Ø6 ^{+0.04} _{-0.05} |
| | | 6.1 | Ø6.1 H8 |
| | | 8 | Ø8 ^{+0.1} _{+0.02} |
| | | 8.1 | Ø8.1 H8 |
| | | 9.6 | Ø9.6 H8 |
| | | 10 | Ø10 ^{+0.1} _{+0.02} |
| | | 10.1 | Ø10.1 H7 |
| | | 12.8 | Ø12.8 H7 |
| | | 13 | Ø13 (non flameproof) |
| | | 15.1 | Ø15.1 H7 |
| (8) | Paint type | C | Creodur - Rafil (~30 µm) |
| | | SE | Spray epoxy (~70 µm) |
| | | SPU | Spray polyurethane on (SE) layer (~120 µm) |
| | | | or other hole on request (non flameproof) |
| (9) | Paint colour | al | alu natural colour (only Creodur - Rafil) |
| | | yc | RAL 1007 daffodil yellow |
| | | ys | RAL 1003 signal yellow |
| | | bs | RAL 5005 signal blue |
| | | sb | RAL 5015 sky blue |
| | | sg | RAL 7032 pebble grey |
| | | gr | RAL 7035 light grey |
| | | ag | RAL 9002 grey white |
| | | sh | RAL 9006 white aluminium |
| | | gs | RAL 9007 grey aluminium |
| cw | RAL 9010 pure white | | |

Main features:

- material of body and cover - aluminium pressure die-castings, max 0.5%Mg
- service temperature:
T_{serv} = -50+150°C - silicone rubber
T_{serv} = -20+200°C - fluoroelastomer rubber
- maximum space for transmitter: Ø52x30mm
- coating: yellow chromating (optionally) and chemically resistant paint (outside only)

Material: aluminium EN AC 44200mod or EN AC 46000.

EN AC 46000 - the kind of material meets the requirements for use in potentially explosive areas.

EN AC 44200mod - the kind of material meets the requirements for use in potentially explosive areas. In addition, it is characterized by increased strength (pressure) parameters, while at the same time shows reduced copper (Cu) concentration.

Availability:

- EN AC 44200mod - for each quantity in the order,
- EN AC 46000 - for order over 500 units.

Caution:

The type EN AC 44200mod - available for certified products ATEX, IECEx, FM and CSA.
The type EN AC 46000 - available only for certified products ATEX and IECEx.

Ordering example:

(1) (2) (3) (4) (5) (8) (9)
XD-AD 4 - M2/CD - M24/8.1 - SE sh

* in this case hole d₁ must be flameproof (for arrange flameproof joint with sensor measuring insert). Flameproof possible only for gas. For Ex tb - dust (for thread D₁) require certification of the complete equipment.