



Spindle Actuator NTS1



Applications:

For industrial-, building-, machine-, furniture-, as well as vehicle construction and mainly for special applications

Description:

The spindle actuator NTS1 consists of a spindle and a strong gear motor. An integrated control system shuts down the actuator automatically in the end positions as well as in case of obstructions (overload cut-off). The main advantage of this actuator is that it can be customized to your requests. Optionally two actuators can run absolute synchronously and/ or put out potential-free signal contacts in each end position.

- extended stroke infinitely variable, stroke length 100/150/200/300/400/500mm (> strokes on request)
- max. speed 13mm/sec. in 500N version and 3mm/sec. in 1000N version
- IP55, NRWG and RWA suitable, CE and ROHS compliant
- for 230VAC a switching relay for groups isn't necessary
- as an option tandem run of two actuators
- limit stop OPEN/CLOSED by micro switch and additional overload cut-off
- very narrow, only 44mm
- colour: silver anodized EV1 (RAL colours on request)
- including entire fixing accessories (slidable rotary-mounting bracket and front bracket)

Installation:

The spindle actuator NTS1 is installed into the dovetail track using the sliding blocks and the U-bracket. A rigid console for the screw fastening is also available. Further information is provided in the operating manual which can be found on our homepage www.drfa.de

Electrical connection:

19 – 30 VDC voltage (in the 24V direct current version),
or 190 – 265 V 50Hz (in the 230V alternating current version)

Measurements: breadth 44mm x height 71,4mm x length stroke + 180mm

Included in the scope of delivery:

- spindle actuator with 1m long connector cable
- U- bracket and 2 sliding blocks, as well as all fastening screws

Synchronous running / special equipment:

Both actuators run synchronous relating to the rotational speed, independent of the individual load capacity.

Maintenance:

The spindle actuator NTS1 is maintenance-free during its entire life expectancy.

Accessories / Option:

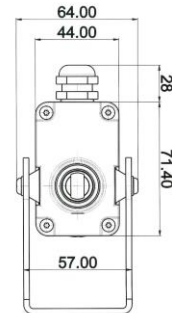
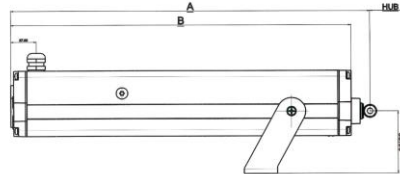
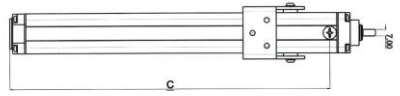
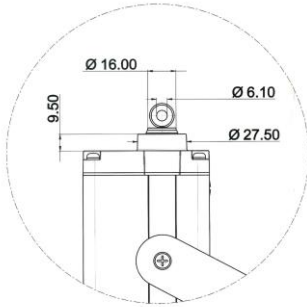
Synchronous control: NTSY for synchronization of 2 actuators, with potential-free signal contacts in the end positions.

Quattro control: NTSQ for the tandem run of 2, 3 or 4 actuators

Remote control: Item No. 2211118 GO-1 handheld transmitter 1-channel, ETR radio system (433 MHz)
Item No. 2211016 GO-er external receiver, ETR radio system (433 MHz)



Technical measurements:



A... Stroke + 180mm
B... Stroke + 158mm
C... Stroke + 137mm

Item No.	Stroke	Voltage	Current	Force	Speed
NTS1-0100-024-000	100mm	24 VDC	0,9 A	500 N	13mm/sec.
NTS1-0150-024-000	150mm	24 VDC	0,9 A	500 N	13mm/sec.
NTS1-0200-024-000	200mm	24 VDC	0,9 A	500 N	13mm/sec.
NTS1-0300-024-000	300mm	24 VDC	0,9 A	500 N	13mm/sec.
NTS1-0400-024-000	400mm	24 VDC	0,9 A	500 N	13mm/sec.
NTS1-0500-024-000	500mm	24 VDC	0,9 A	500 N	13mm/sec.
NTS1-0100-024-100	100mm	24 VDC	0,7 A	1000 N	3mm/sec.
NTS1-0150-024-100	150mm	24 VDC	0,7 A	1000 N	3mm/sec.
NTS1-0200-024-100	200mm	24 VDC	0,7 A	1000 N	3mm/sec.
NTS1-0300-024-100	300mm	24 VDC	0,7 A	1000 N	3mm/sec.
NTS1-0100-230-000	100mm	230 VAC	0,09 A	500 N	13mm/sec.
NTS1-0150-230-000	150mm	230 VAC	0,09 A	500 N	13mm/sec.
NTS1-0200-230-000	200mm	230 VAC	0,09 A	500 N	13mm/sec.
NTS1-0300-230-000	300mm	230 VAC	0,09 A	500 N	13mm/sec.
NTS1-0400-230-000	400mm	230 VAC	0,09 A	500 N	13mm/sec.
NTS1-0500-230-000	500mm	230 VAC	0,09 A	500 N	13mm/sec.
NTS1-0100-230-100	100mm	230 VAC	0,07 A	1000 N	3mm/sec.
NTS1-0150-230-100	150mm	230 VAC	0,07 A	1000 N	3mm/sec.
NTS1-0200-230-100	200mm	230 VAC	0,07 A	1000 N	3mm/sec.
NTS1-0300-230-100	300mm	230 VAC	0,07 A	1000 N	3mm/sec.

Further information available at: www.drfa.de

Specifications:

Voltage / Current: 24V => 19...30 VDC / 0,9A
 Voltage / Current: 230V => 190-265 VAC / 0,1A
 Compressive-,
 Tensile force: 350 / 500 / 1000N / 1500N
 Static force: 2000N
 Stroke: up to 500mm
 Speed: max. 13mm/sec.
 Protection level: IP55 (>on request)
 Duty cycle: 50%
 Tare weight: approx. 1,6kg
 Temperature ranges: -20° to +60°C

Your speciality retailer: