

## Specification Sheet

# NovAseptic<sup>®</sup> Mixer Mixing Head, GMP

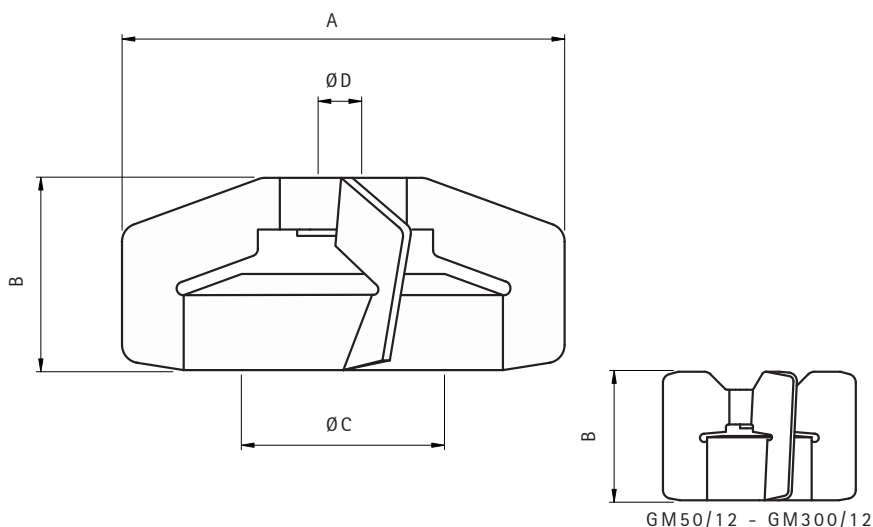
Catalogue Number:

GM#/12

GM#/120

## Product Description

The NovAseptic<sup>®</sup> mixers offer a complete solution for mixing throughout the process line and are designed for a wide variety of mixing applications in the pharmaceutical and biotechnology industries.



## Catalogue No. Structure

GM

#  
|  
Size

/

12  
|  
12 and 120 Manually Polished  
12EP and 120EP Manually Polished and Electro Polished

## Nominal Dimensions in mm (in.)

Catalogue Number	A	B	C	D	Compatible Mixer
GM05/12	96 (3.78)	52 (2.05)	34 (1.34)	12 (0.47)	GMP50
GM05/12EP	96 (3.78)	52 (2.05)	34 (1.34)	12 (0.47)	GMP50
GM1/12	120 (4.72)	53 (2.09)	56 (2.20)	12 (0.47)	GMP100
GM1/12EP	120 (4.72)	53 (2.09)	56 (2.20)	12 (0.47)	GMP100
GM5/120	142 (5.59)	71 (2.80)	56 (2.20)	20 (0.79)	GMP500
GM5/120EP	142 (5.59)	71 (2.80)	56 (2.20)	20 (0.79)	GMP500
GM10/120	160 (6.30)	71 (2.80)	64 (2.52)	20 (0.79)	GMP1000
GM10/120EP	160 (6.30)	71 (2.80)	64 (2.52)	20 (0.79)	GMP1000
GM20/12	184 (7.24)	73 (2.87)	87 (3.43)	20 (0.79)	GMP2000
GM20/12EP	184 (7.24)	73 (2.87)	87 (3.43)	20 (0.79)	GMP2000
GM50/12	192 (7.56)	115 (4.53)	106 (4.17)	30 (1.18)	GMP5000
GM50/12EP	192 (7.56)	115 (4.53)	106 (4.17)	30 (1.18)	GMP5000
GM100/12	220 (8.66)	150 (5.91)	87 (3.43)	30 (1.18)	GMP10000
GM100/12EP	220 (8.66)	150 (5.91)	87 (3.43)	30 (1.18)	GMP10000
GM200/12	273 (10.75)	130 (5.12)	170 (6.69)	30 (1.18)	GMP20000
GM200/12EP	273 (10.75)	130 (5.12)	170 (6.69)	30 (1.18)	GMP20000
GM300/12	365 (14.37)	155 (6.10)	169 (6.65)	30 (1.18)	GMP30000
GM300/12EP	365 (14.37)	155 (6.10)	169 (6.65)	30 (1.18)	GMP30000

## Specifications

### Net Weight (approximate)

Mixing Head	GM05/12	GM1/12	GM5/120	GM10/120	GM20/12	GM50/12	GM100/12	GM200/12	GM300/12
Weight kg (lb)	0.5 (1.1)	0.9 (2.0)	1.3 (2.87)	1.7 (3.75)	1.8 (3.97)	3.4 (7.50)	5.1 (11.2)	6.7 (14.8)	9.7 (21.4)

### Material

	Bar		Plate		Female Bearing
	Stainless Steel in Compliance with		Stainless Steel in Compliance with		
Material Code	316L	EN 1.4435	316L	EN 1.4435	Ceramic SiC (SsiC)

### Additional Information

<b>Surface Roughness:</b>	Surface Ra ≤ 0.5 μm (20 μin) (Optional Ra ≤ 0.25 μm (10 μin))
<b>Surface Treatment:</b>	Manually polished or Manually polished and Electro polished. No polishing compounds of animal origin used.
<b>Operating Temperature:</b>	5 to 135 °C (41 to 275 °F)
<b>pH Range:</b>	1-14
<b>Labeling:</b>	Each Mixing Head is individually labeled for full traceability according to our QA procedures
<b>Packaging:</b>	The Mixing Head is packaged in a closed box.
<b>Quality Control:</b>	Our Quality Assurance System guarantees the control and traceability at all stages of the manufacturing.
<b>Options:</b>	For non-standard NovAseptic® Mixer Options, please contact your local sales representative for further information.

\*Note: The assembled NovAseptic® Mixer may have different design temperature and/or pressure limits. The weakest part in the assembled product determines the maximum design temperature and pressure limits.



## To Place an Order or Receive Technical Assistance

In Europe, please call Customer Service:

France: 0825.045.645

Spain: 901.516.645 Option 1

Germany: 01805.045.645

Italy: 848.845.645

United Kingdom: 0870.900.46.45

For other countries across Europe,  
please call: +44 (0) 115 943 0840

Or visit [www.merckmillipore.com/offices](http://www.merckmillipore.com/offices)

For Technical Service visit:

[www.merckmillipore.com/techservice](http://www.merckmillipore.com/techservice)



[www.merckmillipore.com](http://www.merckmillipore.com)

Merck Millipore and the M mark are trademarks of Merck KGaA, Darmstadt, Germany.

NovAseptic is a registered trademark of Merck KGaA, Darmstadt, Germany.

Specifications subject to change without notice.

Lit. No. SP1169EN00 Rev. C 06/2012 Printed in the USA.

©2012 EMD Millipore Corporation, Billerica, MA U.S.A. All rights reserved.