

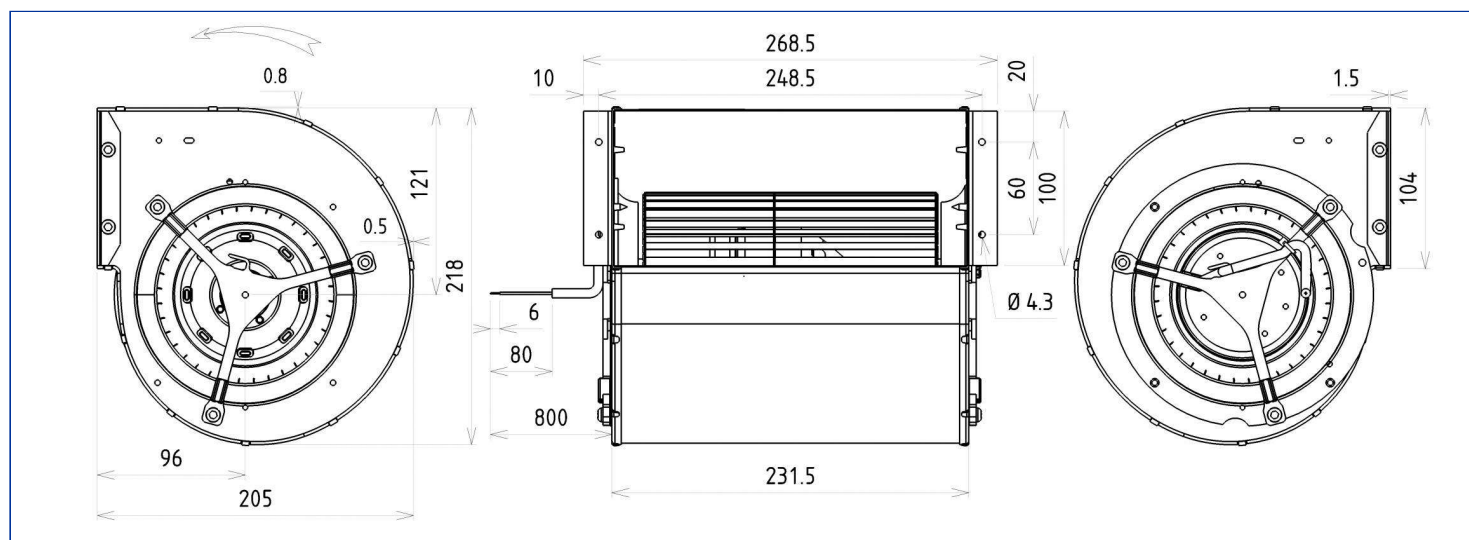
Designation **2GDS35 133x190L**

Range **Backward curved centrifugal fans with single phase asynchronous motor**



ELECTRICAL DATA

Speed		
Tension (V)	230	230
Frequency (Hz)	50	60
Current (A)	0,94	0,98
Maximum current (A)	1.10	1.13
Power (W)	215	224
Maximum power (W)	229	237
Rotation (RPM)	1735	2130
Cos Φ	0.994	0.994
Temperature min/max (°C)	-20/+60	-20/+40
Capacitor (µF)	4.00	4.00
U_condo (V)	400	400



MARKING & STANDARDS

Conformity

- CE

**ECOFIT**  
200535 133x190L  
230V 50/60Hz CL.F. AIP 400V  
11.8x18x35x22mm (133x190x190)P14  
NOM BRUN CONDENSATEUR  
NOM BLEU SECTEUR  
Inax: 1.1/1.12 A

CE

η max=32.5%  
N444  
Atatic:

Thermally Protected  
L23A7 02-21-1000

The product is manufactured in accordance with EN 60335-1, and RoHS directive 2015/863/CE  
IP class according to EN 60034-5 to be checked with operation and installation

Issued: 2021-02-18 at 12:59 Documentations and pictures are non contractual, all the data of the technical file and the drawing are subject to change.

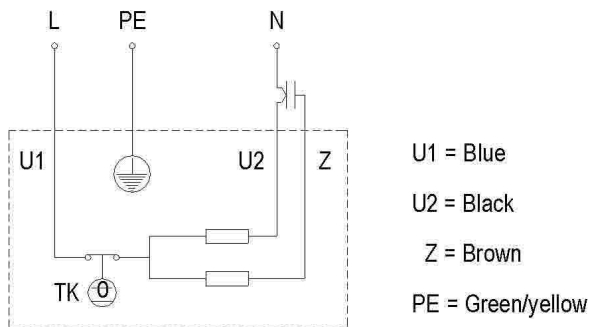
EN - Page 1 / 4

TECHNICAL DATA

Description

- Weight: 4.10 kg
- Without Condensat Drain Holes
- Class F
- Protection level: 44 | Protection against ingress of solid with diameter  $\geq 1$  mm / Protection against ingress of water : splashing
- Motor's protection T150° C Automatic reset
- Bearing type: 2 ball bearings 608ZZ
- Balance level: G2.5

Wiring diagram



Finishes

- Galvanized steel impeller
- Galvanized steel scroll housing



ADDITIONAL DATA

Accessories

- 19019 | Capacitor
- 21338 | Finger guard

Documentations

- Operating and recycling manual  
<http://www.ecofit.com/anglais/normes>

Measurement setup

- Scroll 15278 VOL VHD232 H18

ERP DATA

Data according to ErP directive

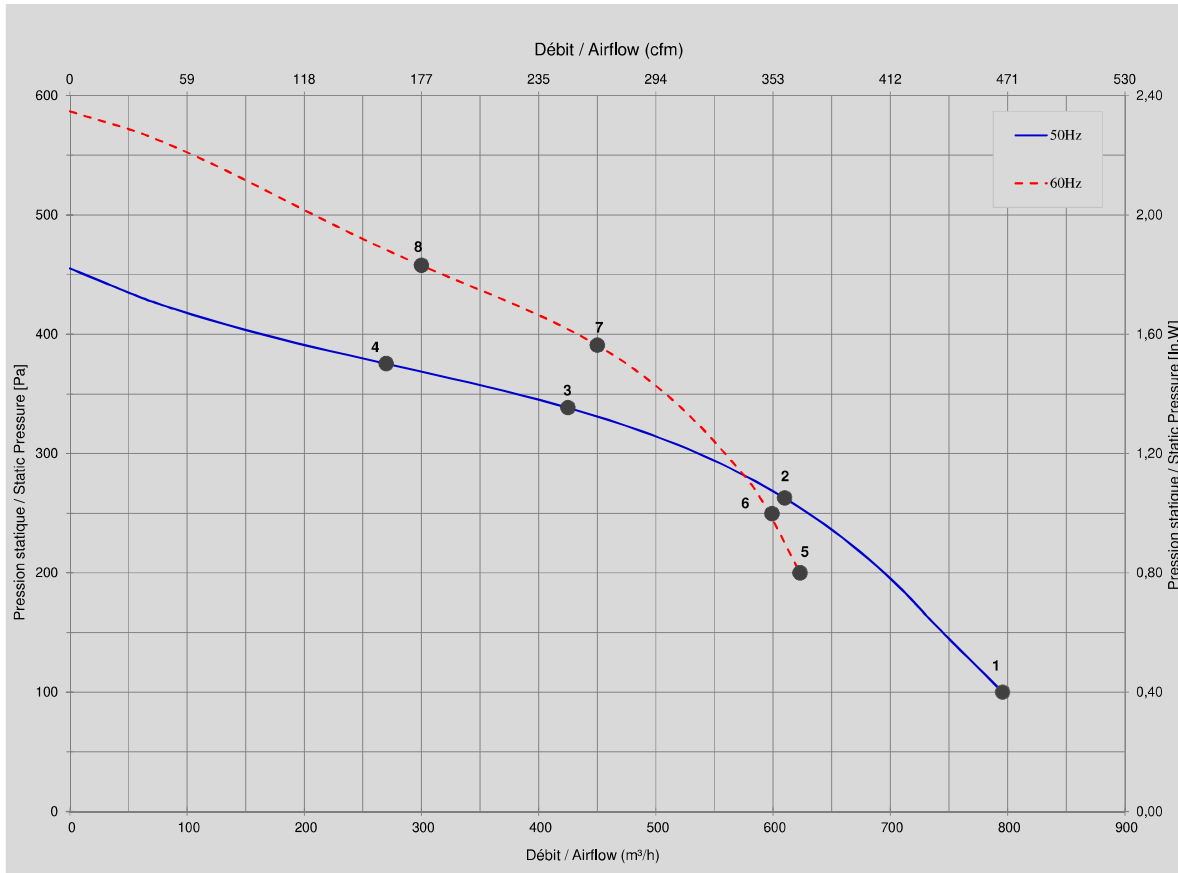
Tension	230 V
Frequency	50 Hz
Power <sup>1</sup>	0.146 kW
Airflow <sup>1</sup>	534 m3/h
Pressure <sup>1</sup>	320 Pa
Rotation <sup>1</sup>	2474 RPM
Catégorie de mesure	A
Catégorie de rendement	total
Variateur de vitesse	No
Rapport spécifique	1.00

- Designed for standard applications according to the directive EU 2009/125/EC

	Actual	2015
Rendement global	32.5	32.4
Niveau de rendement	44	44

<sup>1</sup> at optimum energy efficiency point

TECHNICAL DATA



Mesures / Measured Values \*

	Un (V)	F (Hz)	C (µF)	P (W)	n (RPM)	Q (m³/h)	P (Pa)	Q (cfm)	P (in.W)	Lp <sub>in</sub> (dBA)
1	230	50	4	215	1735	796	100	469	0,401	62,0
2	230	50	4	169	2311	610	263	359	1,052	64,0
3	230	50	4	135	2594	425	338	250	1,355	64,0
4	230	50	4	117	2693	270	375	159	1,503	64,0
5	230	60	4	224	2130	623	200	367	0,801	61,0
6	230	60	4	220	2261	599	250	353	1,000	63,0
7	230	60	4	193	2757	450	391	265	1,565	66,0
8	230	60	4	172	2996	300	458	177	1,833	67,0

\* Air performance measured according to: ISO 5801, installation category C.  
Intake-side sound level: according to ISO 3744, LpA measured at 1 m distance from fan axis. The values given are only applicable under the specified measuring conditions and may differ depending on the installation conditions. In the event of deviation

The product is manufactured in accordance with EN 60335-1, and RoHS directive 2015/863/CE  
IP class according to EN 60034-5 to be checked with operation and installation