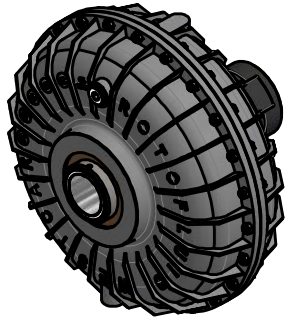
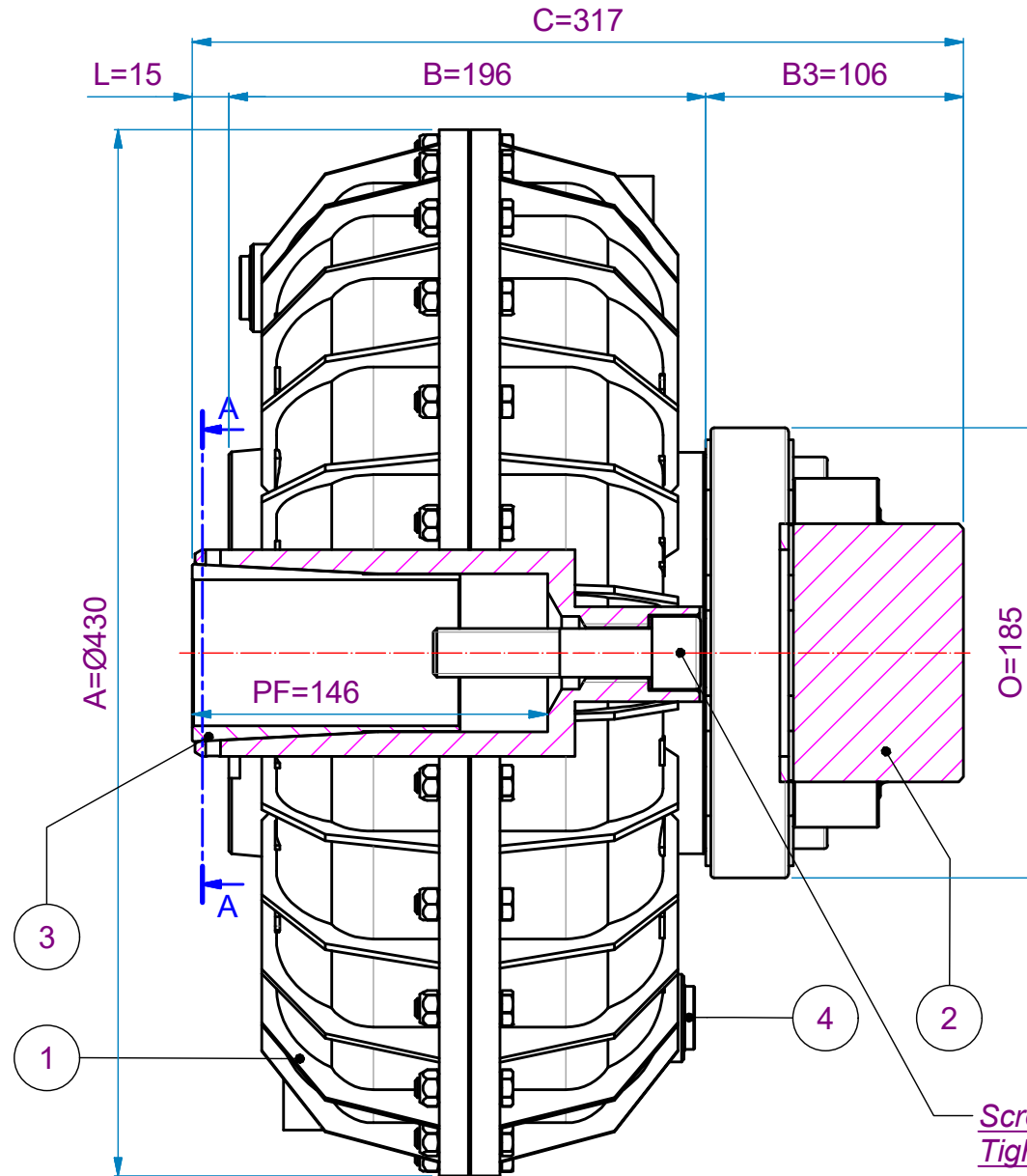
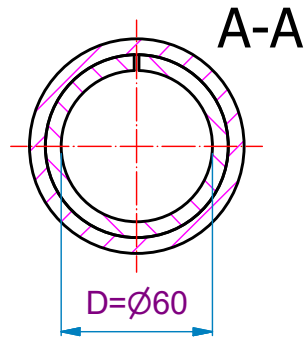
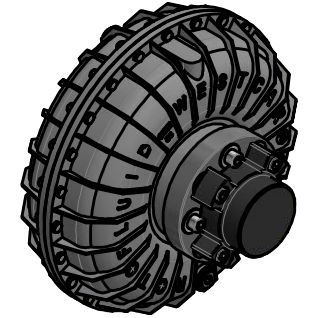


MOTOR SIDE



GEARBOX SIDE



*Screw TCE M20x90
Tightening Torque 410 Nm.*

ROTOFLUID COUPLING ALFA 55 K02 BC D=60 WITH ROTOFLEXI COUPLING BRV5 P=00

Weight / Peso Kg

47

4	1	1333M	Fusible Plug 1/2" Gas 145° Red
3	1	23222	Taper Bush 55BC L15 D=60
2	1	6381	Rotopin Coupling BRV5 P=00
1	1	--	Rotofluid Coupling Alfa 55 K02 FC



Designer
E. Bonomi

Customer / Cliente
--

Date / Data
25/03/2020

Sheet / Foglio
20-6607

Variant / Rev
00

Scale / Scala
1:3

Quotation N°

360

Internal Ref. / Rif. Int.

Pos. Q.ty Code Description