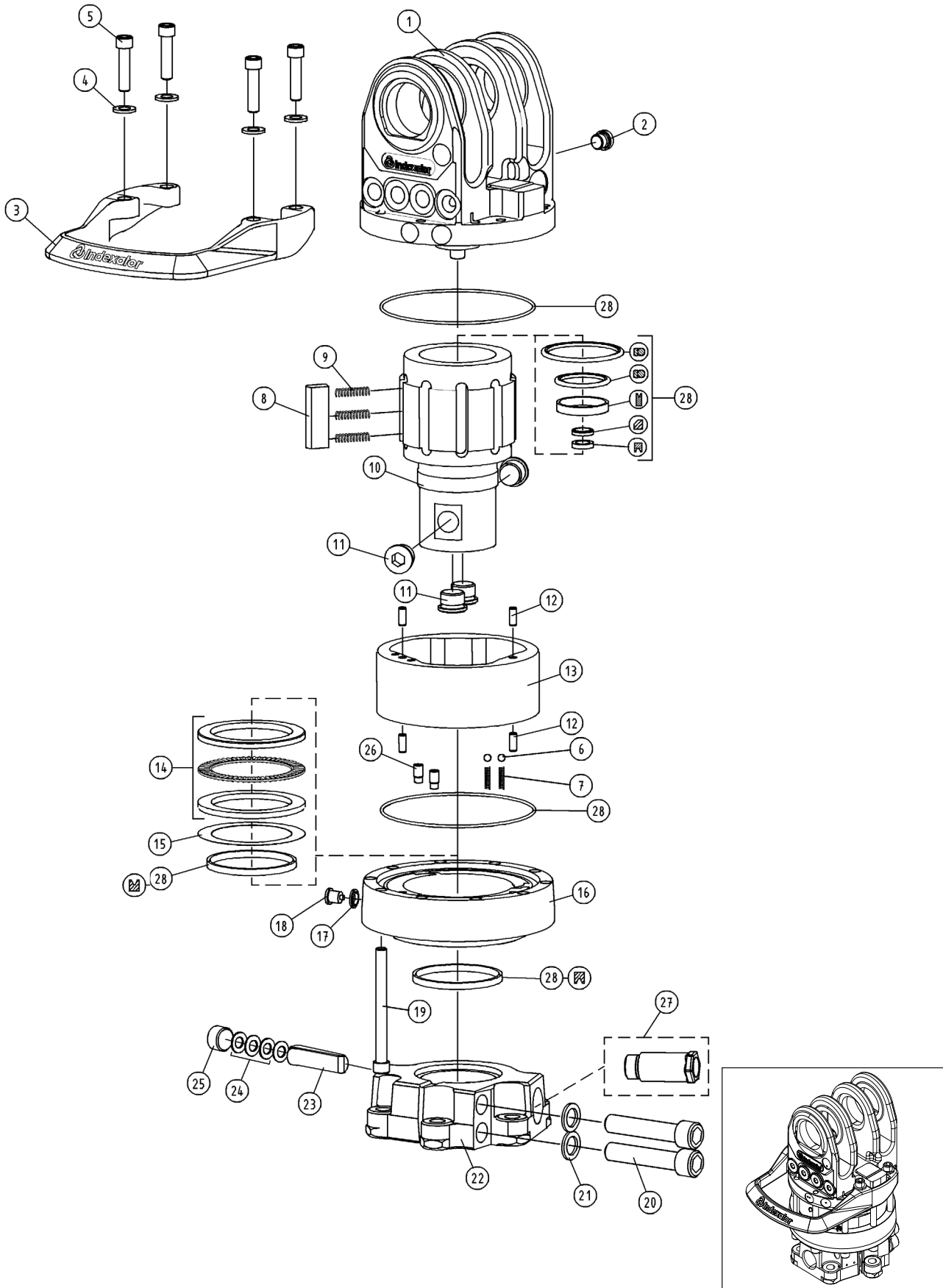


# RESERVDELAR SPARE PARTS

7214075 G 141

Valid from s/n 0901678



1044 171  
2014 03 20

# RESERVDELAR SPARE PARTS

7214075 G 141

Valid from s/n 0901678

Pos Fig	Detalj nr Part no	Ant Qty	Benämning	Description	Anm Notes	Åtdragn mom Torque
	<b>7214 075</b>		<b>Rotator G 141</b>	<b>Rotator G 141</b>		
1	5216 506R	1	Stator övre	Stator, upper	Incl. pos 2	
2	5001 383	1	Propp	Plug	G3/8	36 Nm
3	5016 540R	1	Slangskydd	Hoseguard		
4	1017 326	4	Bricka	Washer		
5	1016 203	4	Skruv	Screw	M12x50	
6	1005 545	2	Kula	Ball		
7	1020 536	2	Fjäder	Spring		
8	5011 160	9	Vinge	Vane		
9	5016 202	27	Fjäder	Spring		
10	5216 505R	1	Rotor	Rotor		
11	5001 384	4	Propp	Plug	G1/2	72 Nm
12	1019 900	4	Pinne	Pin		
13	5214 023R	1	Statorring	Stator frame		
<b>14</b>	<b>5112 022</b>	<b>1</b>	<b>Axiallagersats</b>	<b>Axial bearing set</b>		
<b>15</b>	<b>5010 081</b>	<b>1</b>	<b>Shims, sats</b>	<b>Shim, set</b>		
	1016 658	1	Shims	Shim	0,100 mm	
	1017029	1	Shims	Shim	0,125 mm	
	1016 641	1	Shims	Shim	0,150 mm	
	1017 425	1	Shims	Shim	0,178 mm	
16	5216 508R	1	Stator nedre	Stator, lower	Incl. pos 17, 18	
17	1019 116	1	Tätning gummistålbricka	Bonded seal		
18	1025 709	1	Propp magnet	Plug, magnetic	G1/4	26 Nm
19	1002 120	10	Skruv	Screw	M12x130	120 Nm
20	1019 488	2	Skruv	Screw	M20x100	600 Nm
21	1019 496	2	Bricka	Washer		
22	5212 022R	1	Fästplatta	Link, lower		
23	5010 038	1	Kil	Wedge		
24	1015 643	4	Fjäder, tallrik	Cup spring		
25	5010 039	1	Låsskruv	Locking screw	G3/4	120 Nm
26	5011 107	2	Kägla	Restrictor		
<b>27</b>	<b>5212 051</b>	<b>1</b>	<b>Adaptersats</b>	<b>Adapter set</b>	<b>Option</b>	
<b>28</b>	<b>5216 645</b>	<b>1</b>	<b>Tätningssats</b>	<b>Seal kit</b>	<b>G/H</b>	

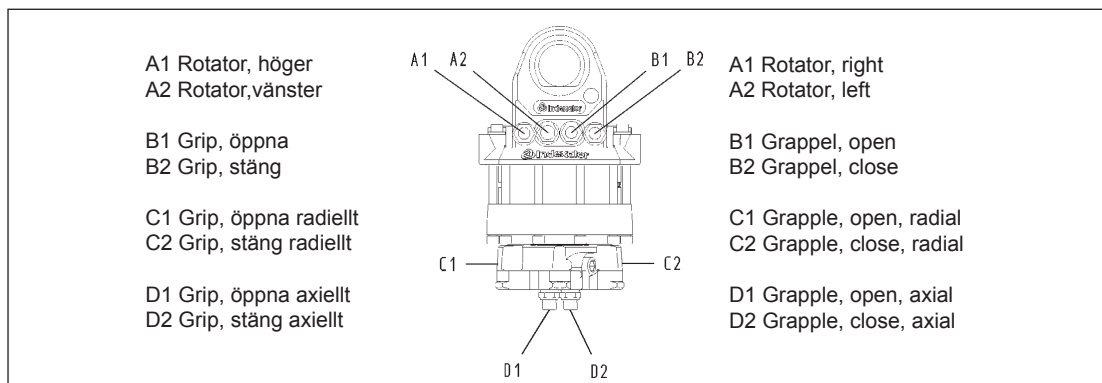
1044 171  
2014 03 20

# ADAPTERSATS ADAPTER SET

7214075 G 141

Valid from s/n 0901678

Pos Fig	Detalj nr Part no	Ant Qty	Ant Qty	Benämning	Description
		5212 060 radiell	5212 061 axiell	Adaptersats G, G1/2xG3/4	Adapter set G, G1/2xG3/4
			5212 083 axiell	Adaptersats G, UNF7/8	Adapter set G, UNF7/8
			5212 056 axiell	Adaptersats G, UNF7/8xG3/4	Adapter set G, UNF7/8xG3/4



2014 03 20 1044 171