

General Specifications

Motor Protection: Locked Rotor, Reverse Polarity
 Insulation Resistance: 10M Ohm min measured with a 500V DC between all leads shorted together and case.
 Dielectric Withstand Voltage: AC 500V 1 minute
 Allowable Ambient Temperature Range:
 -30 degree C ~ +70 degree C (Operating)
 -40 degree C ~ +80 degree C (Storage)
 (non-condensing environment)

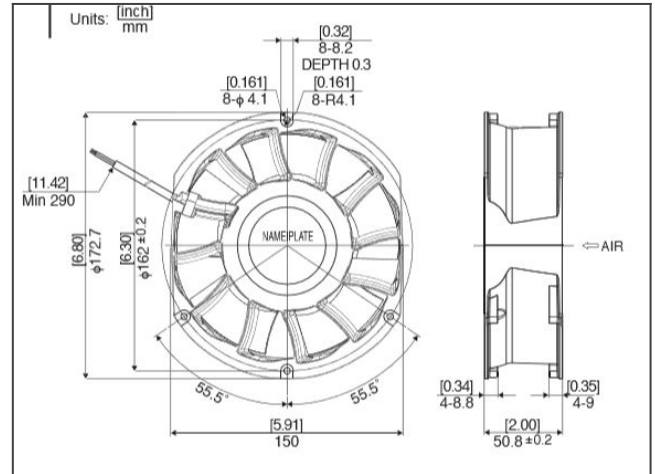
Material

Casing: Aluminum
 Impeller: Plastic
 Lead Wire: UL3266, AWG22, +Red, -Black
 Speed Control = Yellow Speed Signal = White

R150A6 product picture



R150A6 product drawing



DC Fans

Detailed Specifications

Expected Life:	40 degree C 70,000 Hours (L10)
DC Fan:	Ball Bearings Fan
Nominal Voltage:	24
Operating Voltage Lower:	18
Operating Voltage Upper:	30
Current:	2.6
Input Power:	62.4
Speed:	6300
Max. Air Flow:	365
Max. Static Pressure:	774
Noise:	73
Mass:	1000
Fan Size:	150
Fan Width:	172X51

DC Fans