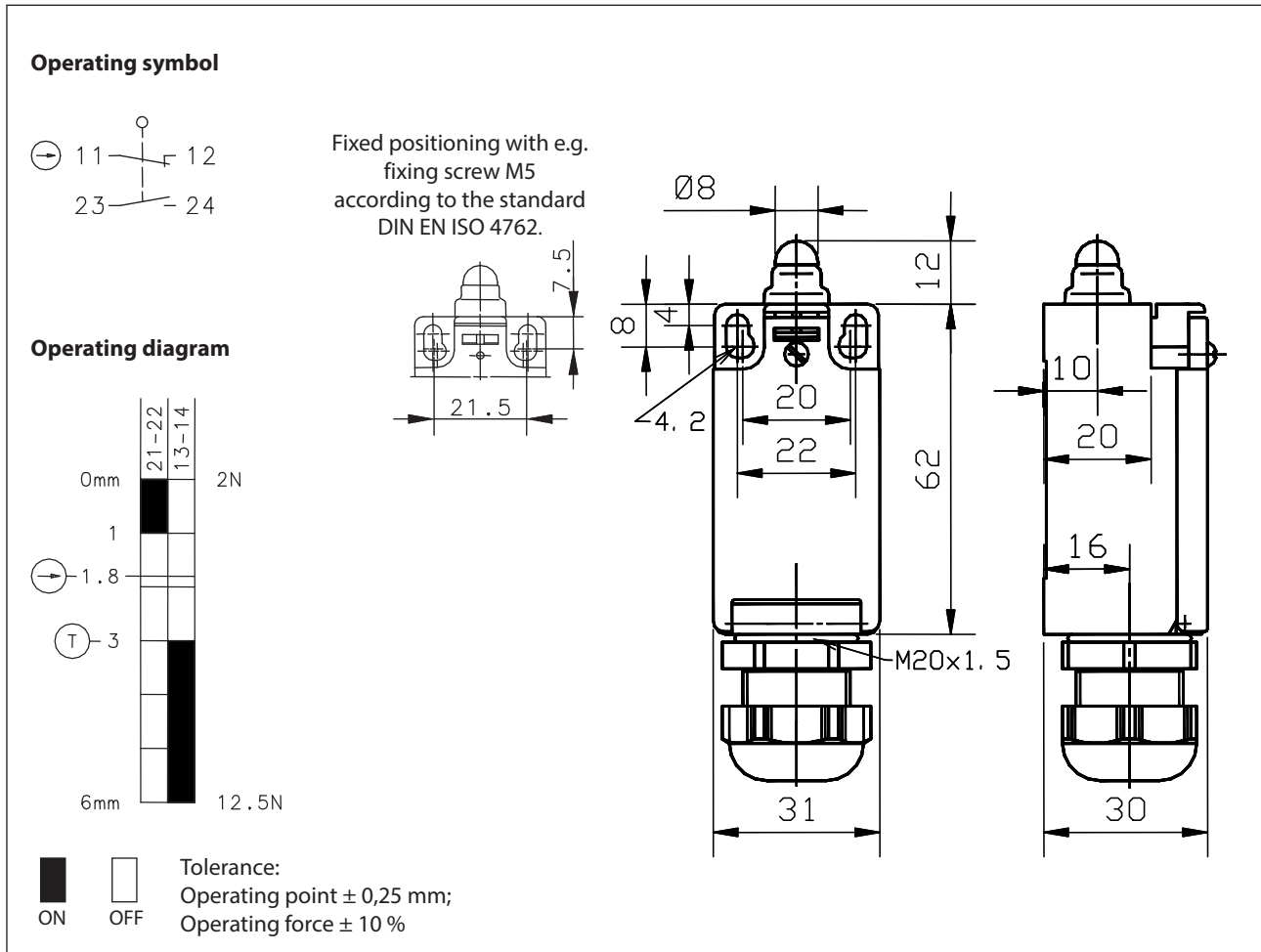


## Plastic bodied limit switch Series I88

Description **I88-U1Z W IP67**

Article number **6186103672**



| Electrical Data                 |            |   |
|---------------------------------|------------|---|
| Rated insulation voltage        | $U_i$      | 250 V AC  |
| Conv. thermal current           | $I_{the}$  | 10 A  |
| Rated operational voltage       | $U_e$      | 240 V AC / 125 V DC   |
| Utilization category            |            | AC-15, $U_e/I_e$ 240 V / 3 A<br>DC-13, $U_e/I_e$ 125 V / 0,55 A |
| Direct opening action           | $\ominus$  | acc. to IEC/EN 60947-5-1, annex K                               |
| Gap between NC-contacts         | $\text{Ⓢ}$ | DIN EN 81   |
| Short-circuit protective device |            | Fuse 6 A gG   |
| Protection class                |            | II, totally insulated   |

| Mechanical data          |   |
|--------------------------|---|
| Enclosure                | Thermoplastic, glass fibre reinforced (UL 94-V0)  |
| Cover                    | Thermoplastic, glass fibre reinforced (UL 94-V0)  |
| Actuator                 | Plunger (thermoplastic)   |
| Ambient air temperature  | -30 °C ... +80 °C   |
| Contact type             | 1 NC, 1 NO (Zb)   |
| Mechanical life          | 10 x 10 <sup>6</sup> operating cycles   |
| Switching frequency      | ≤ 100 / min.  |
| Assembly                 | 2 x M4  |
| Connection               | 4 screw connections (M3,5)  |
| Conductor cross-sections | Solid: 0,5 ... 1,5 mm <sup>2</sup> or<br>Litz wire with ferrules: 0,5 ... 1,5 mm <sup>2</sup> |
| Cable entrance           | 1 x cable gland M20 x 1,5 (clamping range 5 - 10 mm)  |
| Weight                   | ≈ 0,55 kg   |
| Installation position    | operator definable  |
| Protection type          | IP67 acc. to IEC/EN 60529   |

| ID for safety engineering |                                       |
|---------------------------|---------------------------------------|
| B10d                      | 20 x 10 <sup>6</sup> switching cycles |

| Actuation   |  |
|---|--|
| The push bolt actuator is mainly intended to be actuated along it's axis.<br>Side actuation will considerably reduce switch life. |  |

| Standards                                      |  |
|--|--|
| VDE 0660 T100, DIN EN 60947-1, IEC 60947-1     |  |
| VDE 0660 T200, DIN EN 60947-5-1, IEC 60947-5-1 |  |
| DIN EN ISO 13849-1                             |  |

| EU Conformity                |  |
|------------------------------|--|
| acc. to directive 2006/95/EC |  |

| Approvals                               |  |
|---|--|
| cCSA <sub>US</sub> A300 (same polarity) |  |
| CCC                                     |  |

| Notes  |  |
|--|--|
| The degree of protection (IP code) specified applies solely to a property closed cover and the use of an equivalent cable gland with adequate cable. |  |