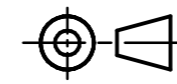


DO NOT SCALE

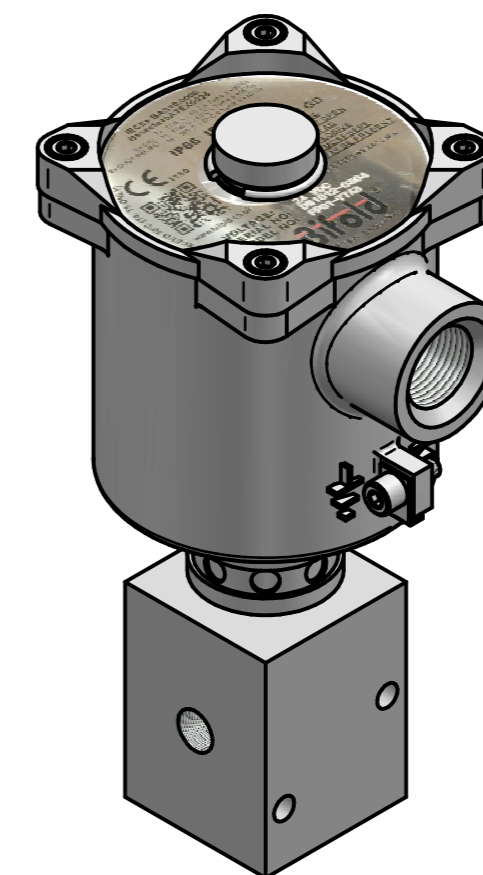
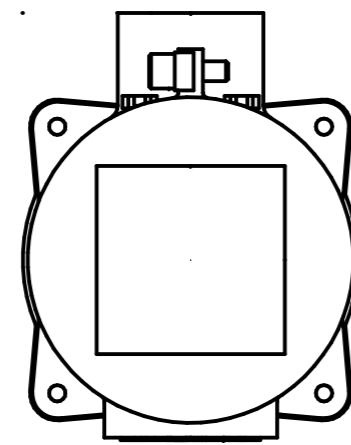
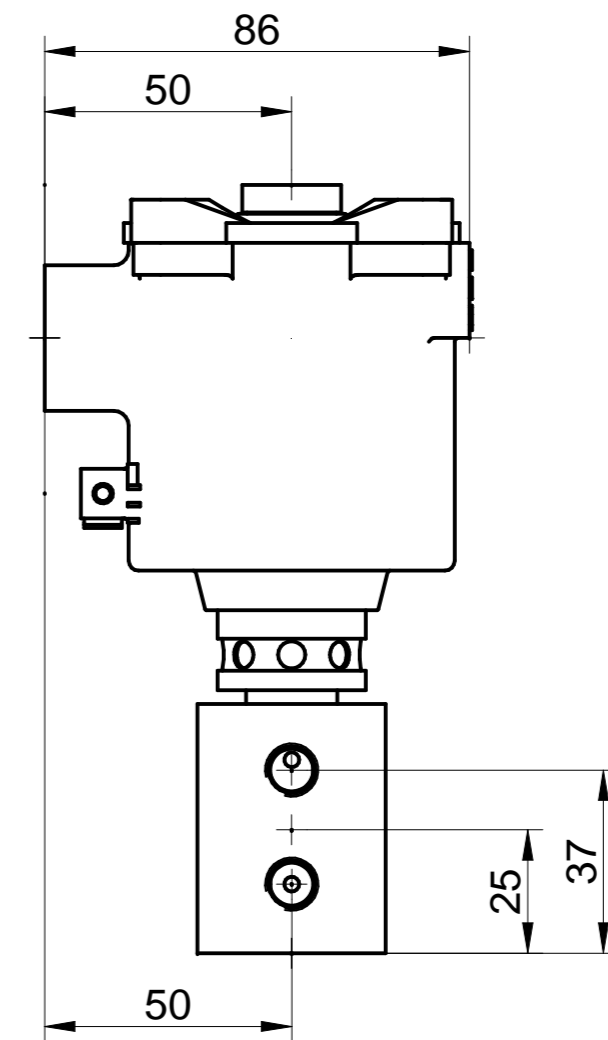
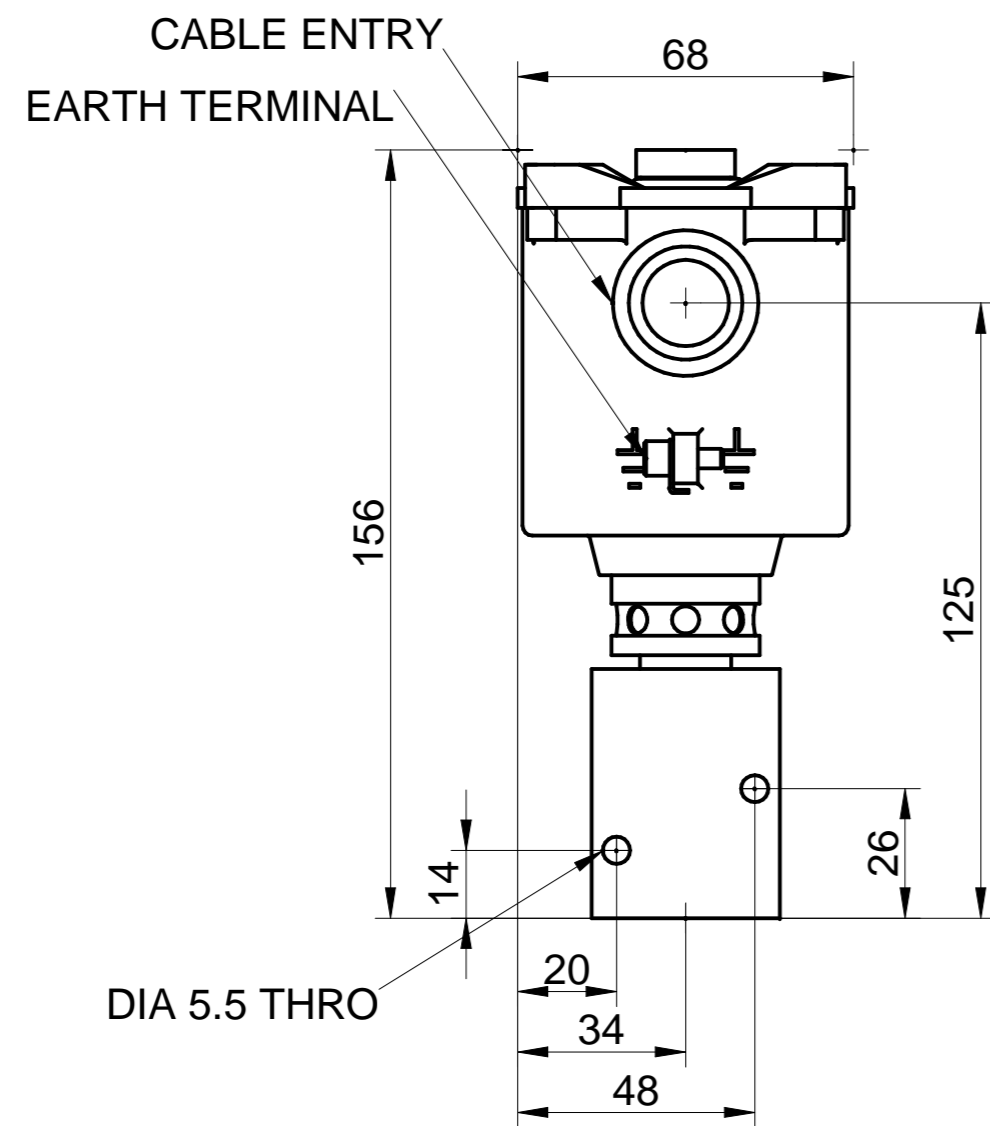
THIRD ANGLE PROJECTION



DIMENSIONS IN MILLIMETRES

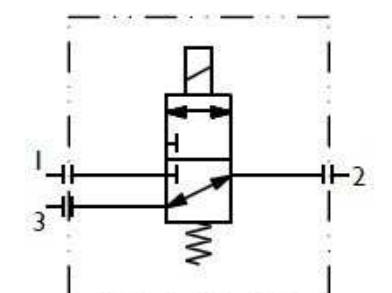
FIXING SCREW TORQUE SETTINGS

M4	2.2 Nm
M5	4.3 Nm
M6	7.3 Nm
M8	17.7 Nm
M10	35.5 Nm



SCHEMATIC

SCHEMATIC SHOWN - N/C



MAINSTAGE VALVE

- NPT PORTS STANDARD (BSP PORTS - K6 OPTION)
- SUITABLE FOR UNIVERSAL OPERATION 2/2 & 3/2 NORMALLY OPEN AND NORMALLY CLOSED
- PLUG PORT 3 FOR 2/2 NORMALLY CLOSED
- PLUG PORT 1 FOR 2/2 NORMALLY OPEN

SOLENOID

- M20 x 1.5 CONDUIT ENTRY (1/2" NPT - K85 OPTION)
- FULLY ROTATABLE HOUSING

NOTES :

1.) O-RING MATERIAL CODE 'X'

S = NITRILE
 V = VITON
 AL = FLUOROSILICONE
 AG = SILICONE

2.) ALL DIMENSIONS NOMINAL UNLESS OTHERWISE STATED.

VALVE TYPES/USED ON



Bifold Fluidpower Limited
 Bifold Group, Oldham Broadway Business Park, Chadderton, Gr. Manchester OL9 9XA
 Telephone (44) 0161 345 4777 Fax (44) 0161 345 4780

PROJECT TITLE
 FP03P-02-32-NC-X-78X-X

PROJECT No.

DRAWING TITLE
 GENERAL INSTALLATION

DRAWING No.
 0-IN0702

REV. 0

DRAWN CONF	DATE 12.08.14	CHECKED	DATE	APPROVED	DATE
---------------	------------------	---------	------	----------	------

0	12.08.14	CONF		PRODUCTION ISSUE
REV	DATE	DRAWN	CHKD	REVISION