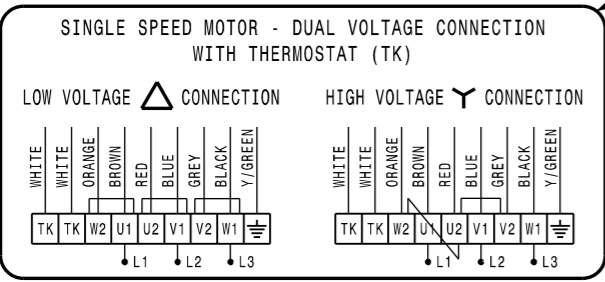
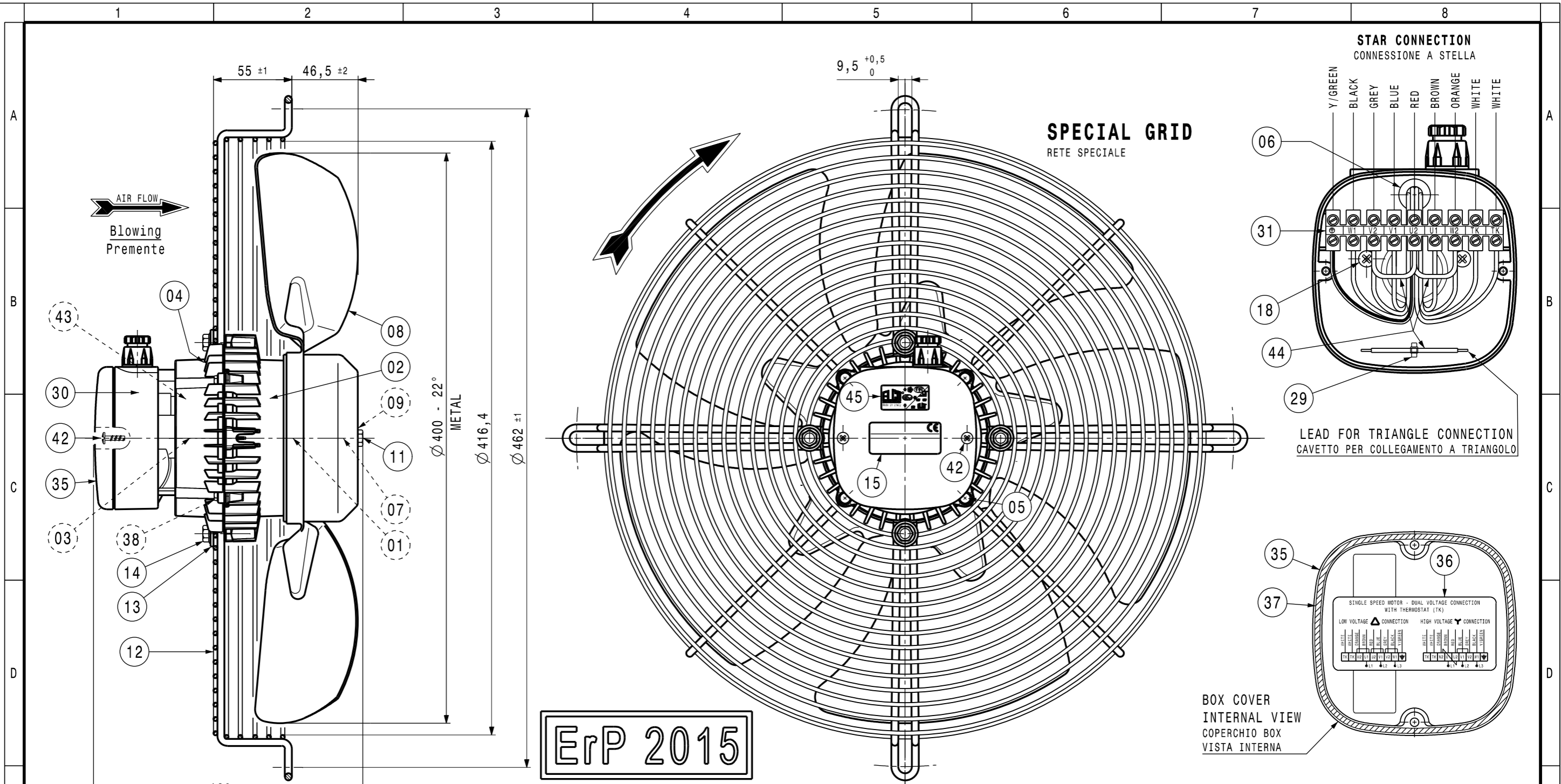


DRAWING MADE BY
CAD
HAND MADE MODIFICATIONS ARE FORBIDDEN



CODE: 4-059-035 ErP2015
TYPE: 5CFR 130-60-4-400-22/1

EAC CE

230V Δ	-	400V Y	3 ~	50Hz	1300Rpm
265V Δ	-	460V Y	3 ~	60Hz	1500Rpm
50Hz		95/190W		0,60/0,35A	
60Hz		130/250W		0,69/0,40A	
INS. CL. F		TH. PROT.	IP55	DATA	
$\eta_e=29,8$ (A.Static) N(2015)40 N=40,6 Win $\eta_{max.}=193W$					

SPECIAL GRID
BECAUSE OF THE DISTANCE BETWEEN FAN BLADE AND GRID IS REDUCED, THE BALANCING WEIGHT MUST BE POSITIONED ON INTERNAL SIDES OF BLADE AND NOT ON EXTERNAL CONTOUR

A CAUSA DELLA DISTANZA RIDOTTA FRA VENTOLA E RETE, I PESI DI BILANCIATURA VANNO POSIZIONATI SUL LATO INTERNO DELLE PALE E NON SUL CONTOURNO ESTERNO

CLASS "F" MOTOR	MOTORE IN CLASSE "F"	
ASSEMBLY SPECIFICATION	NORMATIVA DI MONTAGGIO	EL.UN.0003
MECHANICAL SPECIFICATION	NORMATIVA DI CONTROLLO MECCANICO	EL.CM.0002
BALANCING SPECIFICATION	NORMATIVA DI EQUILIBRATURA VENTOLA	EL.UN.0022
ONLY MOTOR	SOLO MOTORE	M.2347/1
ELECTRICAL SPECIFICATION	NORMATIVA DI CONTROLLO ELETTRICO	
MOTOR WITH FAN ON BOARD	MOTORE CON VENTOLA MONTATA	G.2347/1A
ELECTRICAL SPECIFICATION	NORMATIVA DI CONTROLLO ELETTRICO	

Rel	Date	Description	Executor signature	Checked
A	25-05-2017	Updated GOST Logo in the data label: inserted the new logo 'EAC'	D.Riboldi	E. Crippa
MODIFICATIONS				

For dim. without tolerance see standard UNI EN 22768-mK	Treatment	Material	A3	
	Drawn Trope V. Date 09-12-2014 Check T.Sirtori Scale ---	Compact axial fan 230-400V 50Hz / 265-460V 60Hz / 3- 5CFR 130-60-4-400-22/ 1	Weight R.d.S.0231/14 Ref.No 4-059-032 Release A	
			4-059-035	