



Always The Best Solution by
HITROL CO., LTD.

SPECIFICATION SHEET
VIBRATION TYPE LEVEL SWITCHES

PROJECT :	LOCATION :	DATE	2017-12-11
JOB NO.:		SHEET	1 OF 1

GENERAL

1	Tag Number		
2	Quantity	1 SET	
3	Service		
4	Vessel No.		
5			

PROCESS CONDITION

6	Fluid	STYROFORM	
7	Press. Nor. / Max. (kgf/cm ²)	10	
8	Temp. Nor. / Max. (°C)	250	
9	Ambient Temp. (°C)	-20 ~ +60	
10	Specific Gravity		
11			

SENSOR

12	Model No.	HTM-930N	
13	Head Material	C.S	
14	Enclosure Type	Weather-PROOF (IP65)	
15	Elec. Area Classification	-	

BODY

16	Mounting Method	TOP or SIDE	
17	Material	Weight	C.S
18		Body	C.S
19		Cover	C.S
20		Process Conn.	304 SS
21		Sensing Rod	316L SS
22	Connection Type	SCREW	
23	Connection Size & Rating	PT 3/4" (M)	
24	Length (mm) L	238	

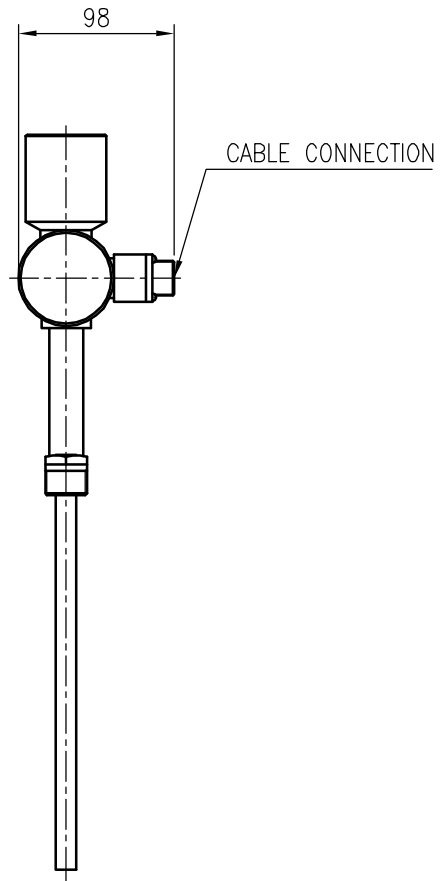
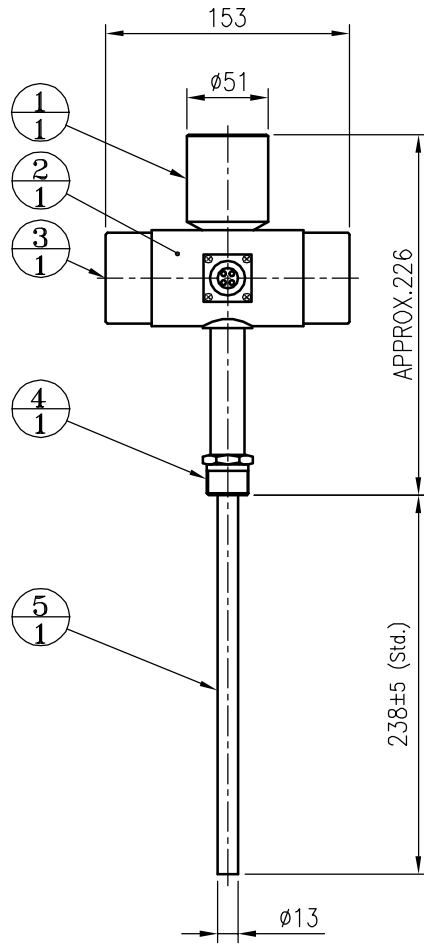
COMBINATION UNIT

25	Model No.	HLC-901PN	
26	Mounting Method	PANEL TYPE	
27	Power Source	<input type="checkbox"/> AC 90~240V, 50/60Hz <input checked="" type="checkbox"/> DC 24V	
28	Contact Form	DPDT	
29	Contact Rating	AC 250V 5A, DC 30V 5A	
30			
31			
32			
33			
34			

ACCESSORY

35			
36			
37			

NOTE :



FOR	SEPARATE TYPE LEVEL SWITCH		
MOUNTING	TOP & SIDE, SCREW		
ENCLOSURE	WEATHER PROOF (IP65)		
AMBIENT TEMP.	-20 ~ +60 °C		
MAX. PRESSURE	10	kgf/cm ²	
MAX. TEMP	250	°C	

PROCESS CONN. SIZE	PT 3/4"(M)
--------------------	------------

TAG. NO.	QTY	REMARK
	1	


CABLE CONNECTION SIZE	SHELL 14S
-----------------------	-----------

NO.	DESCRIPTION	MATERIAL	REMARK
1	WEIGHT	C.S	
2	BODY	C.S	
3	COVER	C.S	
4	PROCESS CONN.	304 SS	
5	SENSING ROD	316L SS	

NOTE

1. GENERAL TOLERANCE ±3mm EXCEPT AS NOTED.

△	.	.				
△	.	.				
△	.	.				
△	.	.				
△	AUG. 2017	1st ISSUE	D Y KIM	B S SUNG	Y H KIM	
NO.	DATE	REVISION	REV'D BY	CHK'D BY	APP'D BY	

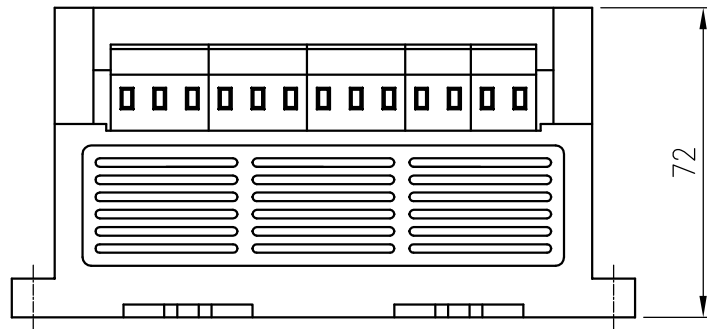
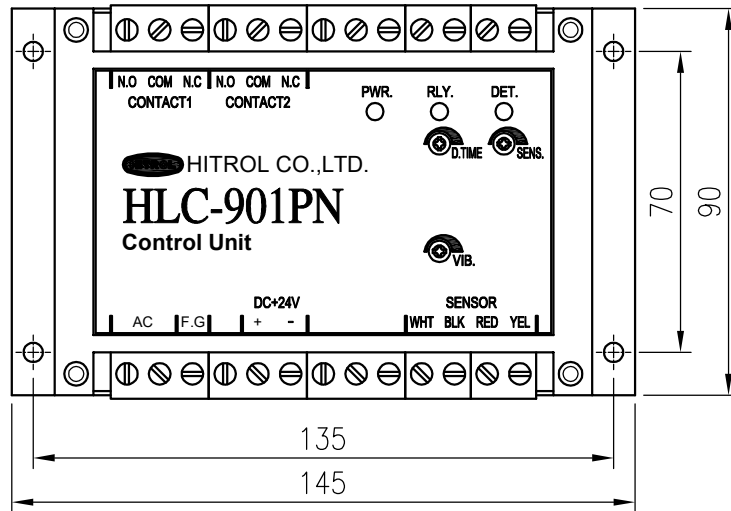

HITROL CO., LTD.

TITLE

**VIBRATION TYPE LEVEL SWITCH
HTM-930N**

SCALE	N.S	UNIT	mm	SHEET NO.	/
PROJECT					
DRAWING NO.					
HTM930N-A-01					

This drawing is the property of HITROL and shall not be copied, communicated, or given for third-party except with our written permission



SPECIFICATION

POWER SOURCE	<input type="checkbox"/> AC 90~240V, 50/60Hz <input checked="" type="checkbox"/> DC 24V		
POWER CONSUMPTION	AC	Stand-by	AC 220V @ 6W
			AC 110V @ 2.6W
	Active	AC 220V @ 8.5W	
		AC 110V @ 5.8W	
DC	Stand-by	AC+24V @ 0.8W	
		Active	AC+24V @ 2.2W
OUTPUT	DPDT		
CONTACT RATING	AC 250V, 5A/ DC 30V 5A		
AMBIENT TEMP.	-20 ~ +60°C		

<table border="1"> <tr><td>△</td><td></td><td></td><td></td><td></td><td></td></tr> <tr><td>△</td><td></td><td></td><td></td><td></td><td></td></tr> <tr><td>△</td><td></td><td></td><td></td><td></td><td></td></tr> <tr><td>△</td><td></td><td></td><td></td><td></td><td></td></tr> <tr><td>△</td><td>AUG. 2017</td><td>1ST ISSUE</td><td>D Y KIM</td><td>B S SUNG</td><td>Y H KIM</td></tr> <tr> <td>NO.</td><td>DATE</td><td>REVISION</td><td>REV'D BY</td><td>CHK'D BY</td><td>APP'D BY</td> </tr> </table>	△						△						△						△						△	AUG. 2017	1ST ISSUE	D Y KIM	B S SUNG	Y H KIM	NO.	DATE	REVISION	REV'D BY	CHK'D BY	APP'D BY	HITROL CO., LTD.		SCALE N.S	UNIT mm	SHEET NO. /
	△																																								
	△																																								
	△																																								
	△																																								
△	AUG. 2017	1ST ISSUE	D Y KIM	B S SUNG	Y H KIM																																				
NO.	DATE	REVISION	REV'D BY	CHK'D BY	APP'D BY																																				
TITLE			PROJECT																																						
CONTROLLER HLC-901PN			DRAWING NO.																																						
			HLC901PN-A-01																																						

This drawing is the property of HITROL and shall not be copied, communicated, or given for tiers except with our written permission.