

三協工業有限公司

COMMONWEALTH INDUSTRIAL CORPORATION

SPECIFICATIONS

CLASSIFICATION	MODEL: FP-108K-S 220V S1B
A: SCOPE	
THIS SPECIFICATION DEFINES THE ELECTRICAL AND MECHANICAL CHARACTERISTICS OF THE AXIAL FLOW FAN	
B: MECHANICAL	
1) DIMENSIONS	PER DRAWING
2) FRAME	DIE CAST ALUMINUM PAINTED BLACK
3) BEARING SYSTEM	BALL BEARING
C: ELECTRICAL	
1) RATED VOLTAGE	AC 220/240 50/60HZ
2) AIR FLOW	360 CFM AT RATED VOLTAGE AT 50 Hz 300 CFM AT RATED VOLTAGE AT 60 Hz
3) STATIC PRESSURE	7.0 mm-H ₂ O AT 50 Hz 5.0 mm-H ₂ O AT 60 Hz
4) INPUT POWER	IN FREE AIR RATED VOLTAGE 49 W ATT +/- 10% AT 50Hz IN FREE AIR RATED VOLTAGE 50 W ATT +/- 10% AT 60Hz
5) INPUT CURRENT	IN FREE AIR RATED VOLTAGE 0.38A +/- 10% AT 50Hz IN FREE AIR RATED VOLTAGE 0.39A +/- 10% AT 60Hz
7) INSULATION RESISTANCE	10 M.OHM MIN. AT 500V DC
8) DIELECTRIC STRENGTH	1 SEC. 1200V AC AT 50/60HZ
9) LIFE EXPECTANCY	40000 HOURS AT 25 °C -65% RH
10) NOISE LEVEL	45 dB(A) AT 50 HZ
11) SPEED	2650 RPM +/- 10% AT 50Hz 2900 RPM +/- 10% AT 60Hz
12) VIBERATION TEST	AMPLITUDE 1.5m 10-55 HZ 3 DIRECTION X.Y.Z. 1 HR
13) SHOCK TEST	ACCELERATION OF GRAVITY 30G AT 6M Y.Y.G. 1HR
14) INSULATION CLASS	UL: CLASS A

- LIFE IS DEFINED AS THE TIME MOTOR SPEED DECREASED MORE THAN 30% COMPARED WITH INITIAL VALUE

D: CONSTRUCTIVE CHARACTERISTIC

- D-1) DIMENSION -----SEE ATTACHED
- D-2) FRAME-----DIE CAST ALUMINUM PANINTED BLACK
- D-3) FAN BLADE----- PLASTIC PBT UL 94V-0
- D-4) BEARING SYSTEM-----BALL BEARING
- D-5) CONNECTION-----WIRE UL 1015#20 AWG

E: PROTECTION

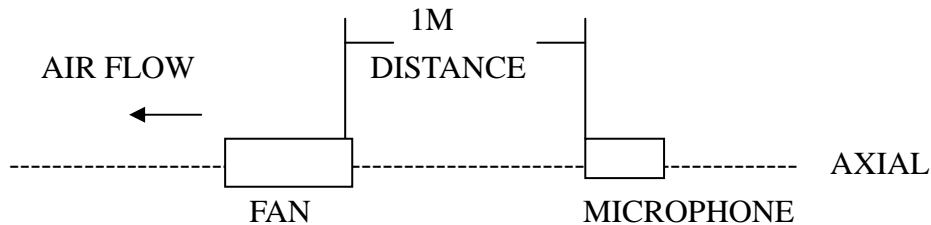
- E-1) IMPEDANCE PROTECTION

F: ENVIRONMENTAL

- F-1) OPERATING TEMPERATURE----- -20 °C TO + 70 °C
- F-2) STORAGE TEMPERATURE----- -40 °C TO + 75 °C
- F-3) DROP TEST
 IN MINIMUM PACKAGING CONDITION FANS WITHSTANDS EACH ONE DROP OF THEREE FACES FROM MORE SPACE CM DISTANCE HEIGHT ONTO 10mm THICKNESS OF WOODEN BOARD
- F-4) VIBERATION TEST
 FREQUENCY: 10-50HZ AMPLITUDE
 X.Y.X. DIRECTION EACH FOR 1 HR
- F-5) SHOCK TEST
 APPLY PEAK ACCELERATION 50G AND KEEP DURATION OF THE PULSE FOR 11ms (HALF SINE WAVE)

G: NOISE:

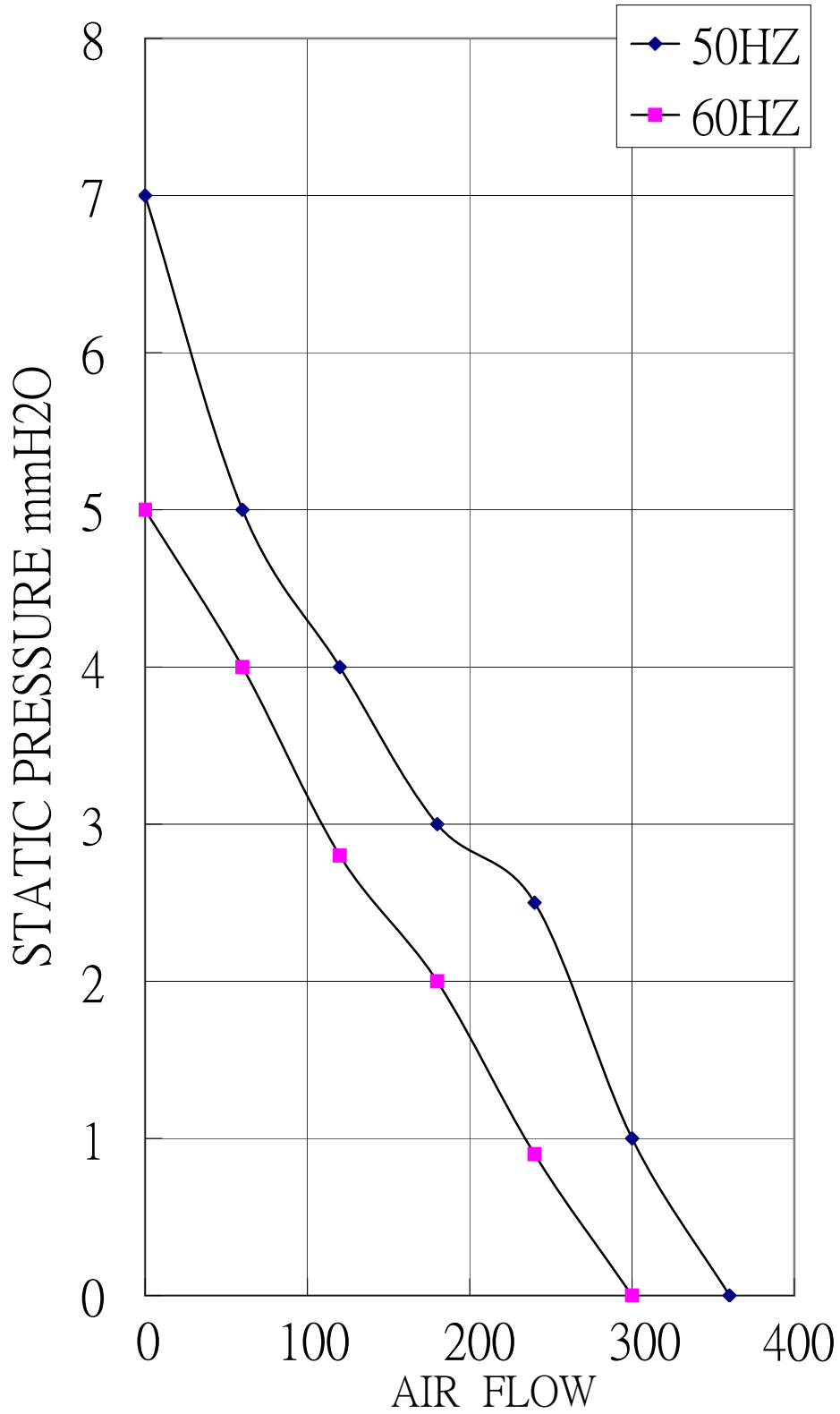
- G-1) MEASUREMENT STEP-UP

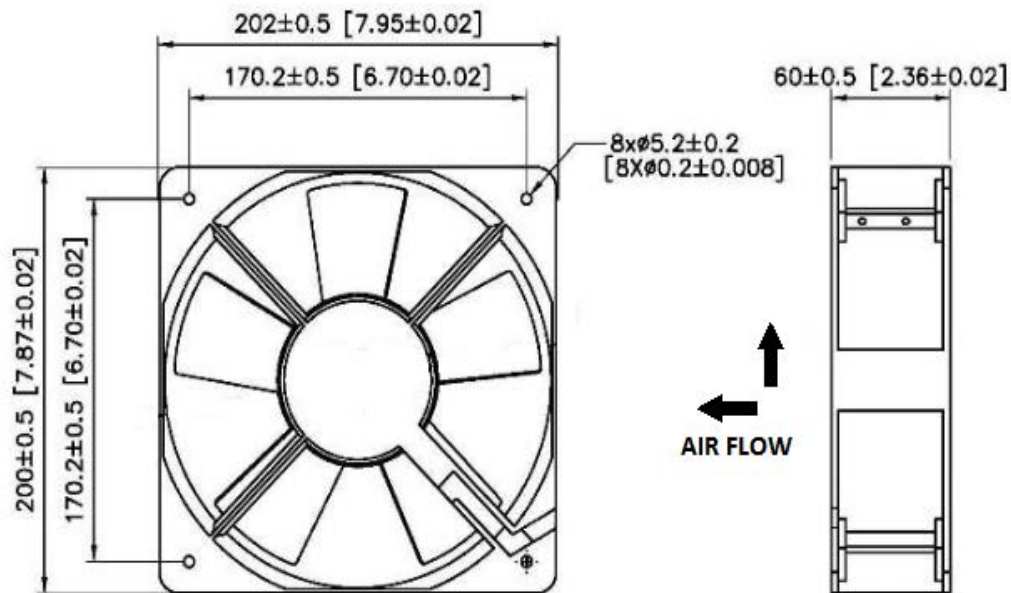


- G-2) MEASUREMENT PERFORMED IN ANECHOIC EST CHAMBER UNDER FREE AIR CONDITON
- G-3) CHAMBER BACK GROUND NOISE 17 dB(A) MAX.
- G-4) READING TAKEN FROM SPECTRUM ANALYZER

H:STATICS PRESSURE VS AIR FLOW CURVE: SEE ATTACHED PAGE

PERFORMANCE





UNIT: mm[inch]