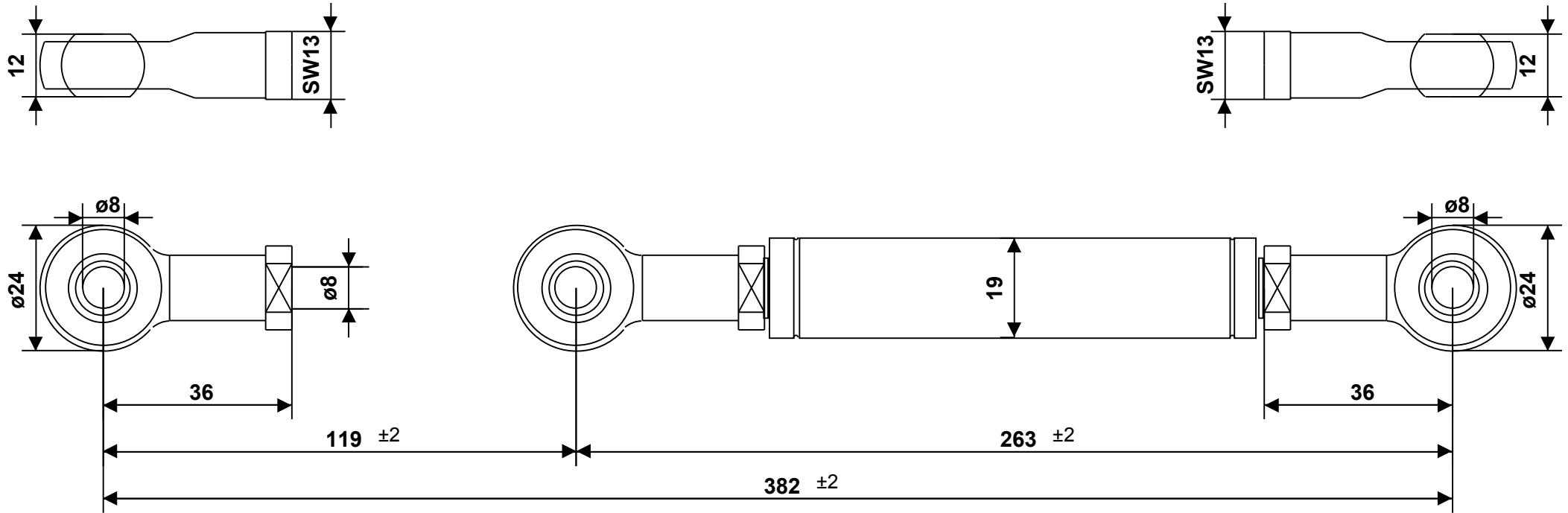


Hahn Part Number: G08-19ST#32369
G 08 19 0110 1 0382 AG36 AG36 00450N /1/5/Si



Intended for internal use and customer / Tolerance of ext. length: +/- 2mm - Dimensions without tolerance: per DIN ISO 2768-1 -c (ISO 2768 -c) - For Information Only
 Force tolerance: F1 >= 1000N: +/- 5%; < 1000N: +/- 10%, min.: +/- 10N, max.: +/- 50N - Unregistered Copy, Print-out or file not subject to modification service.
 End fitting orientation is random and not represented by drawing unless specified - Observe disposal instructions - Not true to scale



Please note our technical instructions

Assembly/storing with piston rod down

No opening-no heating-high pressure

17. Nov 2021

Auto-Printservice

Made in Germany	Part	Dimension	Material / Surface	Fitting	Progr.:31,30 %
Drawing owned by Hahn Gasfedern GmbH	Piston rod	Ø8mm	steel, chrome plated	AG36 M8 Ø8 * ANS/M08/GEL/002	
info@hahn-gasfedern.de	Cylinder	Ø19mm	Stahl,black	AG36 M8 Ø8 * ANS/M08/GEL/002	
www.hahn-gasfedern.de				Configuration ID : 10168865-	