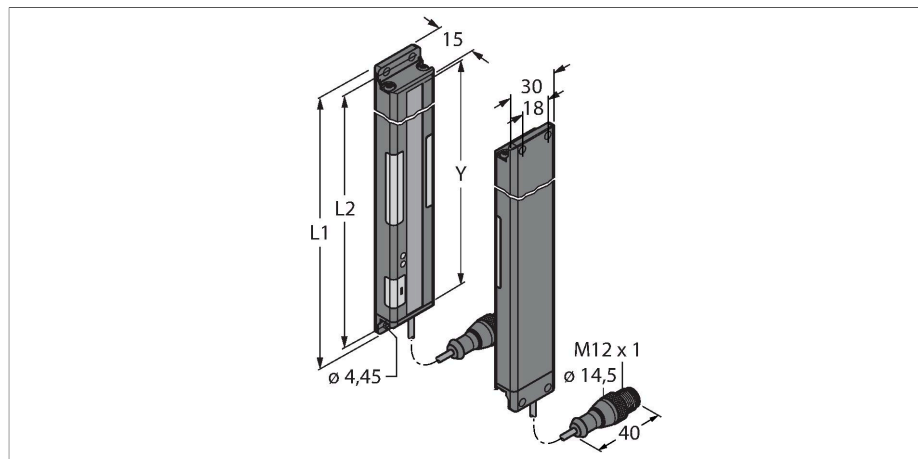


PVA300N6Q

Pick-to-Light – Placement Sensor

Light Grid Kit



Features

- Scan field L2: 300 mm
- 13-beam system, beam spacing 25 mm
- Emitter / Receiver
- Range max. 2 m
- Light / Dark operation
- Selectable frequency as protection against crosstalk
- Operating voltage 12...30 VDC
- NPN switching output of the receiver
- Input of operation request light 0 VDC
- Protection class IP62

Functional principle

This light screen used for fault detection and assembly sequences, has good visible job lights at the emitter and the receiver, guiding the operator through the picking sequence. Missing parts and incorrect assembly are thus avoided. A control unit issues the work sequence and indicates the next work step after receiving feedback from the light screen. Misspick is immediately detected and indicated by a red flashing light.

Technical data

Type	PVA300N6Q
ID	3052912
Signal and display data	
Purpose	Pick-to-Light
Function	Opposed mode sensor
Max. range	2000 mm
Light type	IR
Scan field	300 mm
Number of beams	13
Optical resolution	25 mm
Switch Function	Momentary
Features of color 1	Green, Can be set via DIP switches
Electrical data	
Operating voltage	12...30 VDC
Max. current consumption per color	62 mA
Output function	NO/NC, NPN
Input type	Bipolar (PNP/NPN)
Response time typical	< 52 ms
Mechanical data	
Design	Rectangular, PVA
Dimensions	341.4 x 30 x 15 mm
Housing material	Metal, AL, Black
Window material	Acrylic, clear
Electrical connection	Cable with connector, M12 x 1, 0.15 m, PVC

Technical data

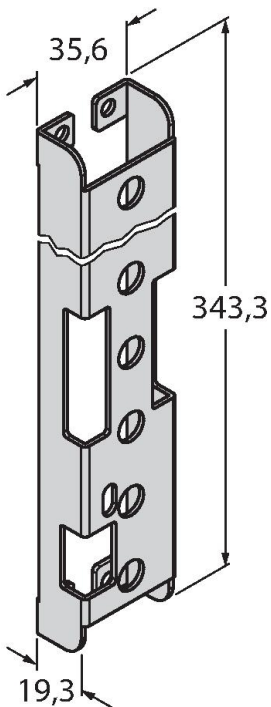
Number of cores	4
Ambient temperature	0...+50 °C
Protection class	IP62
Tests/approvals	
Approvals	CE, cURus

Accessories

SMBPVA13

3056810

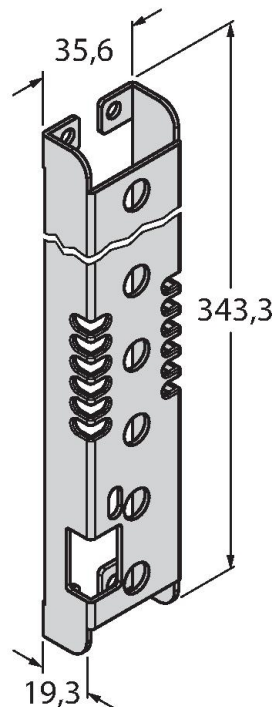
Mounting bracket, for PVA300, cold-rolled steel, cut-out for DIP switch block



SMBPVA13A

3062448

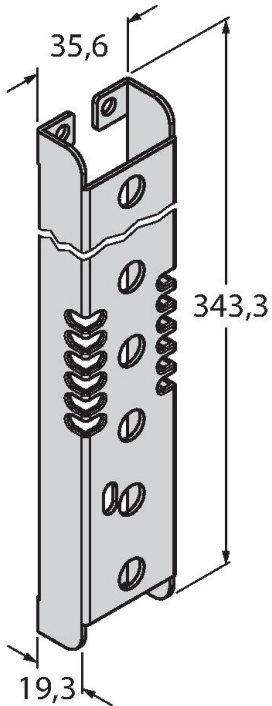
Mounting bracket, for PVA300, cold-rolled steel, cut-out for DIP switch block, protection for light



SMBPVA13AB

3070807

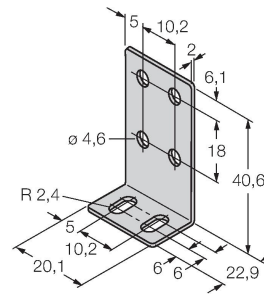
Mounting bracket, for PVA300, cold-rolled steel, no cut-out for DIP switch block, protection for light



SMBPVA1

3056884

Mounting bracket, for PVA and PVD, stainless steel; set consisting of two brackets and screws



Accessories

Dimension drawing	Type	ID	
	RKC4.4T-2/TEL	6625013	Connection cable, female M12, straight, 4-pin, cable length: 2 m, sheath material: PVC, black; cULus approval; other cable lengths and qualities available, see www.turck.com
	WKC4.4T-2/TEL	6625025	Connection cable, female M12, angled, 4-pin, cable length: 2 m, sheath material: PVC, black; cULus approval; other cable lengths and qualities available, see www.turck.com