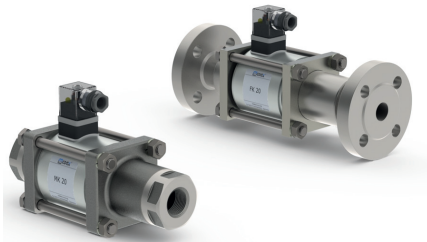
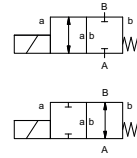


coaxial valve

type **MK 20**
FK 20



2/2 way valve **direct acting**
pressure range PN 0-100 bar
orifice DN 20 mm
connection thread/flange
function valve normally closed
 symbol **NC**
 valve normally open
 symbol **NO**



Above stated body materials refer to the valve port connections that get in contact with the media only!

design pressure balanced, with spring return
body materials ① brass ② steel galvanized
 ③ brass, nickel plated ⑤ without non-ferr. Metals
 ④ steel, nickel plated ⑥ stainless steel
 ⑦ aluminium
valve seat seal materials synthetic resin on metal PTFE, FPM, CR, EPDM

details needed

- orifice
- port
- function NC/NO
- operating pressure
- flow rate
- media
- media temperature
- ambient temperature
- nominal voltage

general specifications

ports MK threads G 3/4 - G 1 1/4
 FK flanges PN 16 / 40 / 100
function NC
pressure range bar 0-16 / 0-40 / 0-64 / 0-100
Kv value m³/h 7,4
vacuum leak rate < 10⁻⁶ mbar·l·s⁻¹
pressure-vacuum P₁ ⇔ P₂ upon request
back pressure P₂ > P₁ available (max. 16 bar)
media gaseous - liquid - highly viscous - gelatinous - contaminated
abrasive media upon request
damping opening closing available
flow direction A ⇔ B as marked
switching cycles 1/min 150
switching time ms opening 110 closing 110
media temperature °C DC: -20 to +100 -40 to +160
 AC: -20 to +100 -40 to +160
ambient temperature °C DC: -20 to +80
 AC: -20 to +80
limit switches inductive / mech. (depend on temperature)
manual override available
approvals LR/GL/WAZ
mounting mounting brackets
weight kg MK 5,5 FK 7,5
additional equipment upon request

options

special threads
 special flanges
 NO
 > 100 bar upon request
 < 10⁻⁶ mbar·l·s⁻¹
 upon request
 available (max. 16 bar)
 upon request
 available
 bi-directional (max. 16 bar)
 -40 to +160
 -40 to +160
 inductive / mech. (depend on temperature)
 available
 LR/GL/WAZ
 mounting brackets
 upon request

The valves' technical design is based on media and application requirements. This can lead to deviations from the general specifications shown on the data sheet with regards to the design, sealing materials and characteristics.

If order or application specifications are incomplete or imprecise there exists a risk of an incorrect technical design of the valve for the required application. As a consequence, the physical and / or chemical properties of the materials or seals used, may not be suitable for the intended application.

electrical specifications

nominal voltage U_n DC 24 V
 U_n AC 230 V 40-60 Hz
actuation DC direct-current magnet
 AC direct-current magnet with integrated rectifier
insulating rating H 180°C
 IP65
energized duty rating ED 100%
connection plug acc. DIN EN 175301-803 form A, 4 positions x90° / wire diameter 6-8 mm
optional M12x1 connector acc. DESINA
additional equipment illuminated plug with varistor
current consumption N-coil DC 24 V 1,56 A
 AC 230 V 40-60 Hz 0,16 A
 H-coil DC 24 V 2,24 A
 AC 230 V 40-60 Hz 0,28 A
explosion proof
limit switches inductive (I) normally open-PNP
 inductive (B) normally open-PNP
 mechanical single pole double throw-SPDT

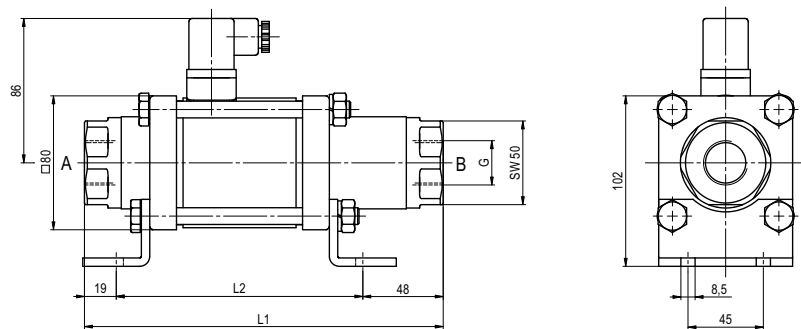
options

special voltage upon request
 special voltage upon request
 above 100 °C with separate rectifier
 terminal box M16x1,5
 connector acc. VDMA
 DC 24 V 2,24 A
 AC 230 V 40-60 Hz 0,28 A
 normally open-PNP
 normally open-PNP
 single pole double throw-SPDT

■ specifications not highlighted are standard
 ■ specifications highlighted in grey are optional

type MK 20

function: **NC**
closed when not energized



constructive length	L1	L2	L3
standard	216	148	269
with inductive limit switches	259	192	313
with manual override / inductive limit switches	259	192	313
with mechanical limit switches	259	192	313

flanges PN	DIN	ØD	Øk	Ød
16	EN 1092-1	105	75	14
40	EN 1092-1	105	75	14
100	EN 1092-1	130	90	18

type FK 20

function: **NO**
open when not energized

