

DC/DC-Converter 19"/3U 100W (120W)

Double Output DCD 5.12/15.3,5/24

Vin = 18-36 Vdc

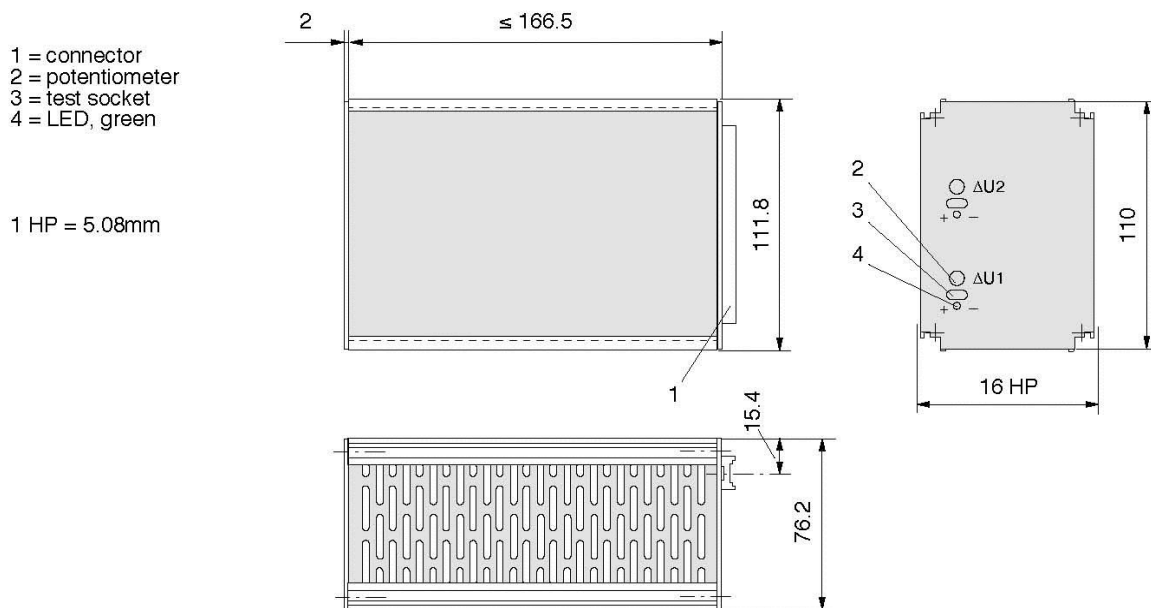


Ordering Information

Type	Output () Power Boost	Input Voltage	Installation Width	Article No. *
DCD 5.12/15.3,5/24	O1 = 5V ; 12A (14A) O2 = 15V ; 3.5A (4A)	24 Vdc	16HP/3U	271-204-00

* Front panel black anodized

Dimensions in mm



Connector Pin Assignment H15

Free pins may not be connected external!

	Pin
+ Output 1	4
+ Sense Lead 1	6
- Output 1	8
- Sense Lead 1	10
+ Output 2	20
- Output 2	22
I/O External ON/OFF	26
- Input	28
+ Input	30
Earth PE	32
	leading

DC/DC-Converter 19"/3U 100W (120W)

Double Output DCD 5.12/15.3,5/24

Vin = 18-36 Vdc



Technical Data

Guaranteed values after a warm-up period of approx. 15 min. at nominal load, measured at the unit's output.

Output		O1	O2
Output Voltage	[Vdc]	5	15
Adjustment Range (+)	[V]	0.5	1
Output Current			
Nominal (total power max. 100W)	[A]	12	3.5
Power Boost (total power max. 120W)	[A]	14	4
Current Limiting	[A]	15	4.2
Characteristic Curve		approx. V-I	
Type of Regulation		primary switched	transductor regulated
Efficiency	[%]	≥ 77	
Voltage Deviation for			
Load Change 0... 100% (static)	[mV]	≤ 5 (10)*	≤ 50 (100)*
Mains Voltage Change Vin min-Vin max	[mV]	≤ 5 (10)*	≤ 10 (20)*
Operating Frequency Ripple (100/50kHz)	[mVpp]	≤ 10 (20)*	≤ 10 (20)*
Superimposed Switching Spikes	[mVpp]	≤ 50 (100)*	≤ 80 (200)*
Dynamic Voltage Deviation for ΔIo = 65...100% Inom	[mV]	≤ 200 (300)*	≤ 200 (300)*
Regulation Time for ΔIo = 65...100% Inom	[μs]	≤ 300 (500)*	≤ 300 (500)*
Starting Delay	[ms]	≤ 150	
Overvoltage Protection Output			
Factory Setting (tol. +0.5V)	[V]	6.5	
Residual Voltage after Tripping	[V]	0	
Sense Lead Operation for O1 (load line compensation)	[V]	max. 0.25 per load line	
Overload Protection		continuous short-circuit-proof	
Temperature Coefficient	[ppm/K]	200	
Input Voltage			
Nominal	[Vdc]	24	
Operating Range	[Vdc]	-25/+50% 18-36	
in the Event of Mains Failure with series-connected decoupling diode at Nominal Load: Buffer Time tBuff [ms] ≥ 15			
Max. Input Current (nominal range)	[A]	8.6	
Starting Inrush Current			
Worst Case	$\int i^2 dt ; I_p$	[A ² s] ; [A] ≤ 175 ; ≤ 250	
Unit Fuse (primary, internal)	[A]	T 15	
Overvoltage Protection Input		transient protection	
Operating Temperature Range (measured 5mm from the side wall) [°C] - 25... 0... + 70, without derating			
Max. allowed Case-/Radiator-Temperature	[°C]	+ 85	
Storage Temperature Range	[°C]	- 40... + 85	
Weight approx.	[kg]	1.5	

For definitions, informations about electrical safety, EMC and mechanical stressability see description.

* Specifications in brackets are output data at T amb = -25°C.