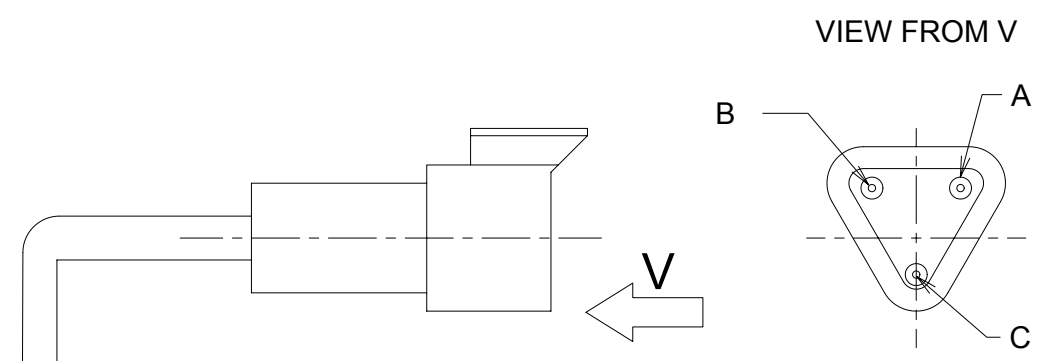


PART NUMBER
483002040

REV.
05

TECHNICAL DATA

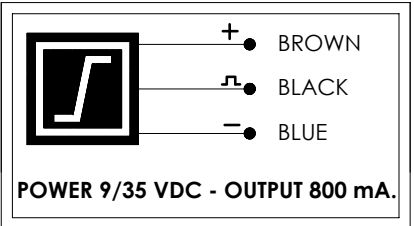
TEST	DATA	RESULTS
OPERATIVE TEST	8V a 70°C 30V a 70°C 30V a 90°C	≥ 10 CYCLES ≥ 10 CYCLES ≥ 10 CYCLES
REVERSE POLARITY	-24V a 25°C	OK
SHORT CIRCUIT PROTECTED OUTPUT		OK
CURRENT ABSORBED ACCORDING TO TEMPERATURE	-18° ÷ +80°C	< 200 mA
CURRENT ABSORBED ACCORDING TO APPLIED TENSION	0 ÷ 30 V	< 250 mA
INDUCTIVE LOADS	500 mA CONTINUOUS - 1000 mA PEAK	
PROTECTION CLASS		IP 65
COLOR CASE		YELLOW
OUT		NPN
SUPPLY VOLTAGE	9 - 30 VOLT (MAX)	
REVERSE POLARITY PROTECTED		



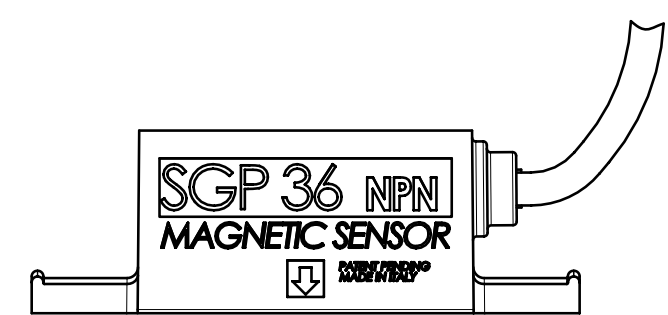
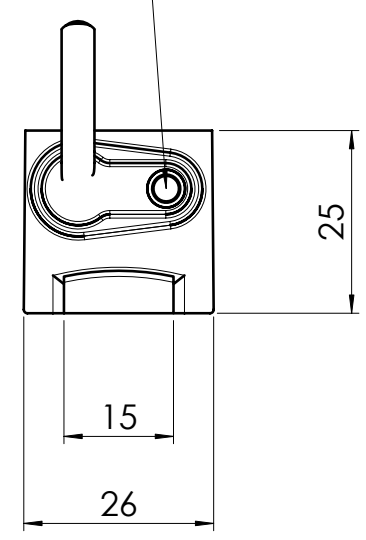
DEUTSCH IPD-USA
DT04-3P (IP 67)

- A - BLACK CABLE
- B- BROWN CABLE(+)
- C - BLUE CABLE (-)

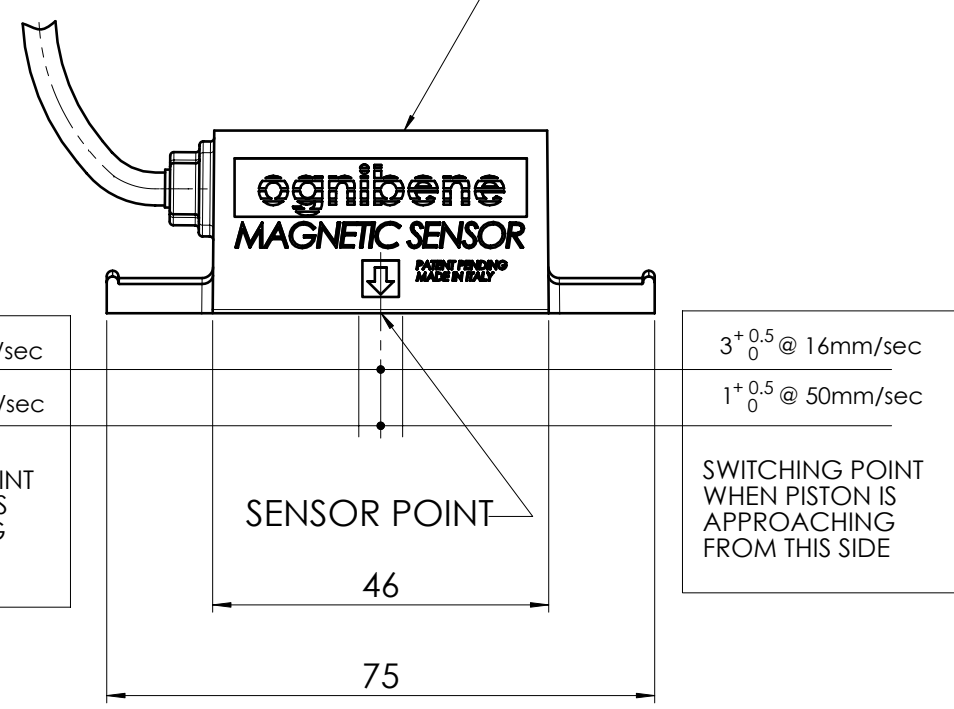
COPERCHIO



LED (RED)



CABLE LENGHT 250 mm
BOX COLOR YELLOW
CUSTOMER REF.137179
MAGNETIC SENSOR WORKING
ON AISI 316 BODY



3^{+0.5}₀@ 16mm/sec
1^{+0.5}₀@ 50mm/sec

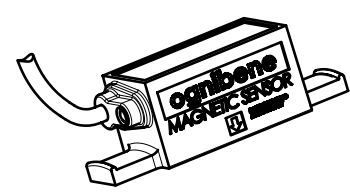
3^{+0.5}₀@ 16mm/sec
1^{+0.5}₀@ 50mm/sec

SWITCHING POINT WHEN PISTON IS APPROACHING FROM THIS SIDE

SWITCHING POINT WHEN PISTON IS APPROACHING FROM THIS SIDE

CE
ELECTROMAGNETIC COMPATIBILITY

- DMOS OUTLET PORT VERTICAL POWER
- PROTECTED FROM OVERLOADING BY MEANS OF FLOW LIMITATION AND TEMPERATURE MEASURING
- INTERDEPENDENT PROTECTION FROM RESET BY INLET SIGNAL
- MOSFET POWER CHECK AND PROTECTION CIRCUITS POWER SUPPLY DRAWN FROM INPUT
- ESD PROTECTION ON ALL PINS



PROPRIETA' DELLA OGNIBENE spa
ALL PROPERTY RIGHTS RESERVED BY OGNIBENE spa

N°REG.	REV.	DATE	REVISION	SIGN.	APPR.	OLD N°REG.
6462	05	04W46	CHANGED CASE DIMENSIONS AND DRAWN WITH SOLIDWORKS	A.D.	R.F.	
4541	04	99W51	MODIFICATO NOTE SUL CAMPO DI INTERVENTO	R.F.	R.F.	
4529	03	99W50	ELIMINATO SIMBOLO "SAFETY PART"; INSERITO SCHEMA ELETTRICO	M.ME	R.F.	
2426	02	96W23	AGGIORNATE SPECIFICHE		M.ME	
2341	01	96W17	AGGIUNTO CODICE CLIENTE, CONNETTORE E COLORE SCATOLA		A.B.S.	

MATERIAL	TREATMENT	R N/mm ²	HB	MASS Kg
VARIOUS				
ognibene APPR. R.F. CHECK M.A. DESIGN M.I. DRAWN M.I.		UNLESS OTHERWISE SPECIFIED METRIC. ANGLES AND FORM TOLL. AS ISO2768 mk.		
42100 REGGIO E. (ITALY) TEL. +39 0522 502501 FAX +39 0522 502500 www.ognibene.com		NAME MAGNETIC SENSOR NPN-N/O MSY L.250 YELLOW		ASS'Y SEVERAL SEVERAL
ISO 128	SCALE () 1:1	DATE 96W09	PART NUMBER 483002040	REV. 05 SHEET 1 OF 1

METRIC mm 100

SIZE A3