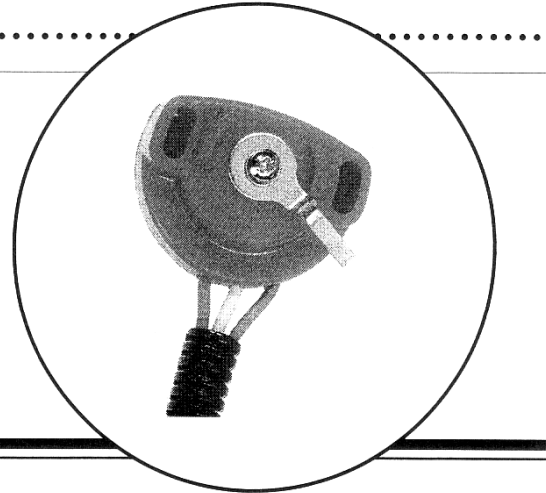


Conductive Polymer Automotive Potentiometer

Carpot CP17/225 type

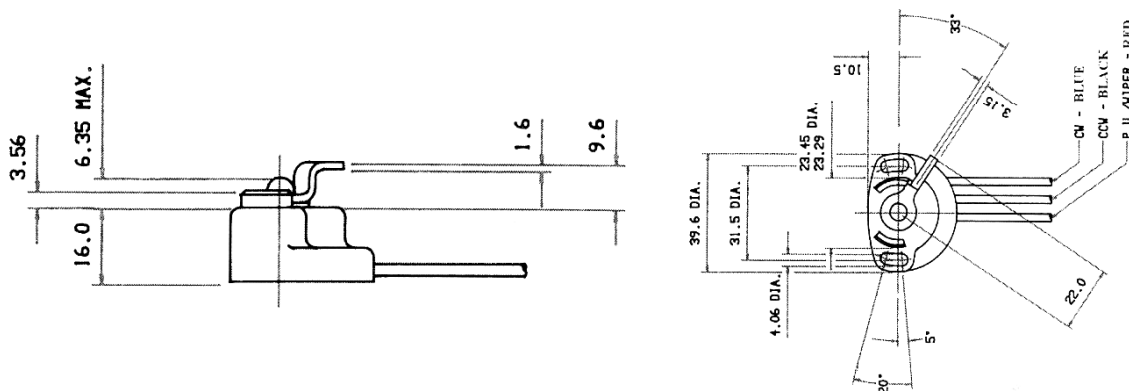
- High performance potentiometer
- Lever operation
- Spring return to zero
- Radial mounting slots
- Flying leads with plug
- Glass filled nylon housing



Conductive polymer potentiometer for automotive and other similar demanding applications. A high performance cost effective potentiometer, with long endurance life and protection from engine compartment environment. Termination via 280 mm long leads fitted with Packard "weatherpack" connector.

Electrical Data

Standard resistance	4150 Ohms +/- 20%
Hysteresis	< 0.3%
Angle of effective rotation	94° +/- 3°
Total mechanical rotation	125° +/- 5°
Wiper protection resistor	42% of value
Output signal temperature coefficient	<25 ppm / 0°C
Output smoothness	0.5%
Independent linearity	+/- 2%
Operating temperature	-40°C to +130°C
Operational torque	10 mNm min. / 85 mNm max.
End stop torque	800 mNm maximum
Rotational life	5 x 10 ⁶ cycles



General Note

AB Electronic Limited reserves the right to make changes in product specification without notice or liability. All information is subject to AB's own data and is considered accurate at time of going to print.