

## Technical data

### General technical data

construction	Flange version
piston diameter	30 mm to 200 mm
stroke	50 mm to 500 mm
thread size	G 1/4, G 1/2 starting from diameter 100 mm
mounting	by special mounting parts
installation position	as desired
temperature range	- 20°C to +80°C (DUHJ to +150°C)
special material	cylinder head: aluminium
	cover: aluminium
	piston rod: stainless steel
	tube: AL hardcoated
	sealings: NBR

### Pneumatic data

medium	filtered and oiled air max. 50 µm the rounded edge of the piston sealing ring evenly distributes the grease applied during the assembly over the cylinder working surface, ensuring a constant grease film whereby, as a rule, no additional oiling is required, oiled air is needed only for high frequencies or high piston speeds (<1 m/s)
operating pressure	0,2 bar to 10 bar
special features	Flange can be rotated as required in relation to each other Universal fitting of cylinder mountings into the internal threads of fastening screws by means of hexagon screws

### Order details:

DUJ	J 11100	XXX	XXXX
		diam.	stroke
DUDJ	J 11200	XXX	XXXX
DUHJ	J 11130	XXX	XXXX
DUMJ	J 11120	XXX	XXXX
DUVJ	J 11110	XXX	XXXX

### Standard strokes

50, 75, 100, 150, 200, 250, 300, 350, 400, 450, 500, 600, 700, 800

## Universal cylinder

**DUJ**

**DUDJ cushioned**

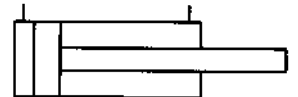
**DUHJ heat resistant**

**DUMJ magnetic version**

**DUVJ thick piston rod**



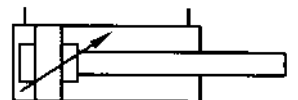
**DUJ**



**DUMJ**

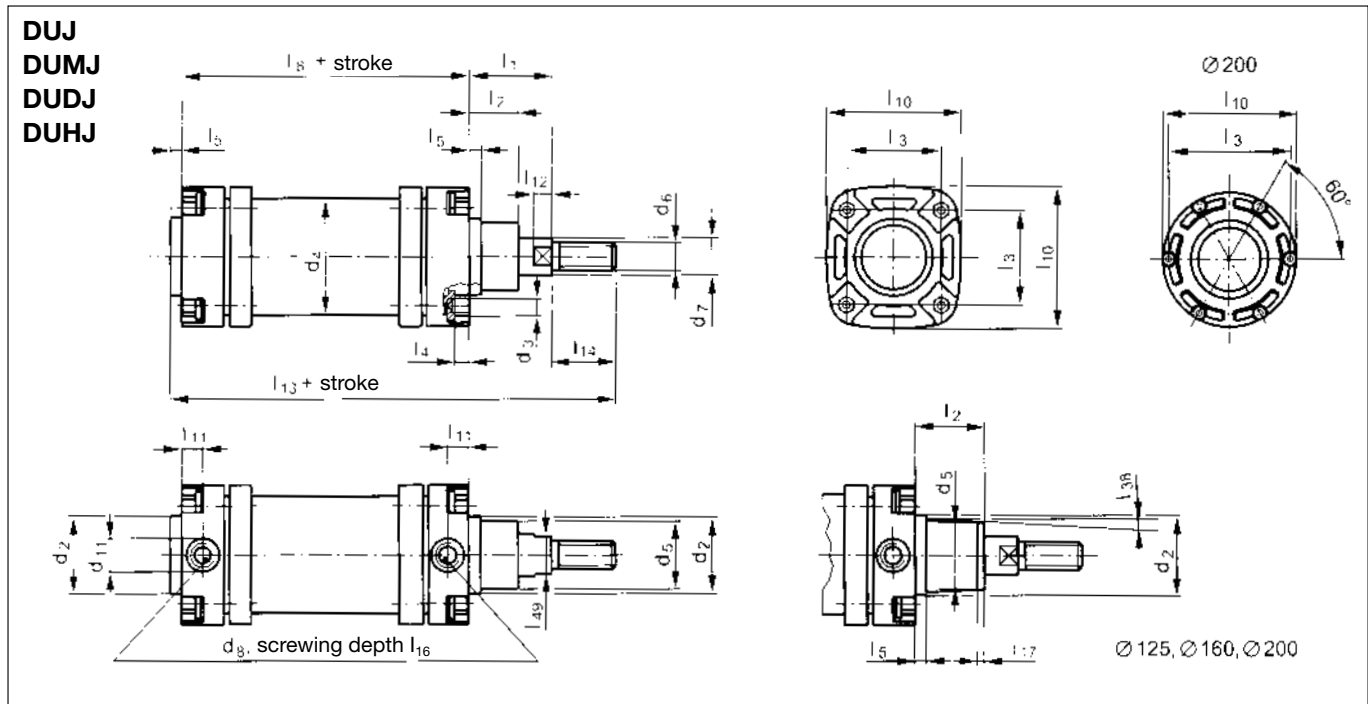


**DUDJ**



## Dimensions

Measures in mm



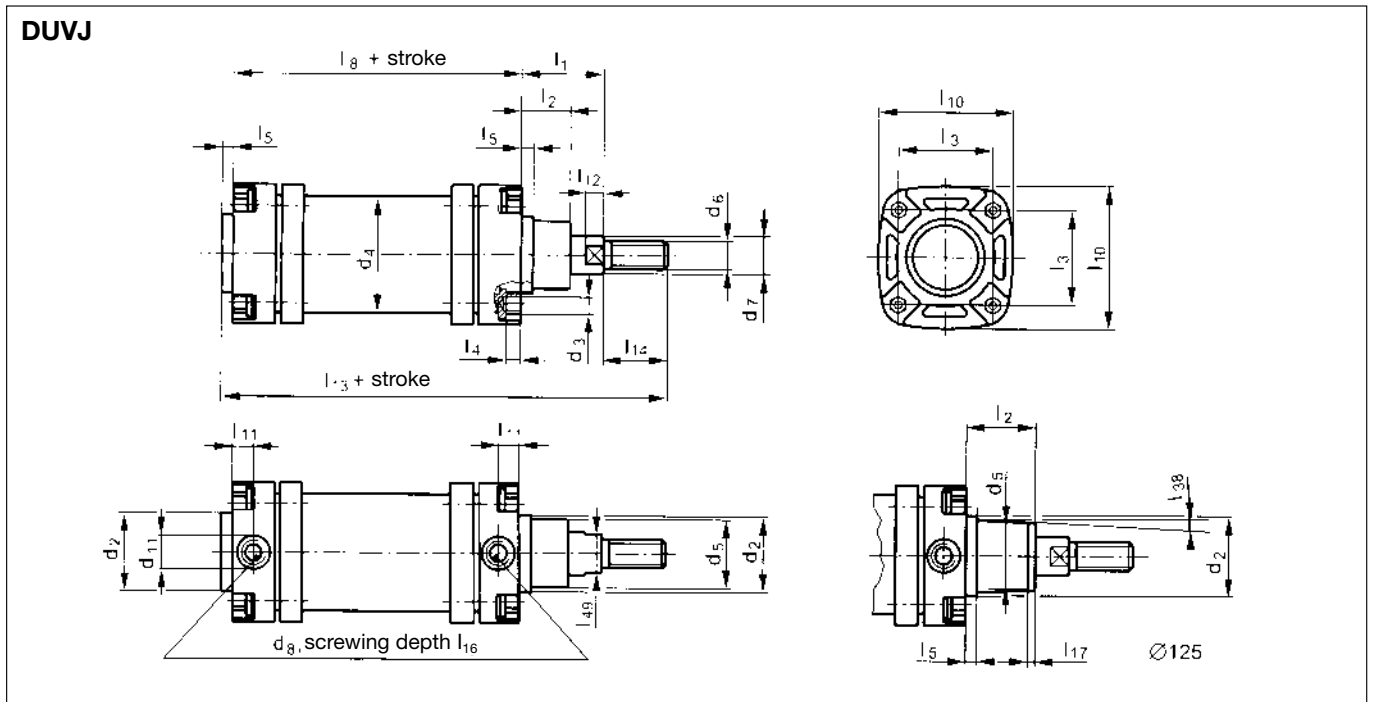
Ø *)	l <sub>1</sub>	l <sub>2</sub>	l <sub>3</sub>	l <sub>4</sub>	l <sub>5</sub>	l <sub>8</sub>	l <sub>8</sub> **)	l <sub>10</sub>	l <sub>11</sub>	l <sub>12</sub>	l <sub>13</sub> **)	l <sub>13</sub>	l <sub>14</sub>
30	40,5	29	36	13	7	72	82	50	13	6	139,5	149,5	20
40	40,5	29	44	10	7	72	82	65	13	6	139,5	149,5	20
50	43,0	29	47	10	7	72	72	70	13	8	147,0	147,0	25
60	43,0	29	56	10	7	72	72	80	13	8	147,0	147,0	25
80	43,0	26	72	10	9	78	88	100	13	10	160,0	170,0	30
100	41,0	25	88	12	10	102	108	124	19	10	183,0	189,0	30
125	72,0	52	108	12	11	102	102	152	19	13	225,0	225,0	40
160	104,0	82	140	12	12	106	106	196	19	14	272,0	272,0	50
200	130,0	107	Ø230	12	14	111	111	Ø260	19	15	310,0	310,0	55

Ø *)	l <sub>16</sub>	l <sub>17</sub>	l <sub>38</sub>	l <sub>49</sub>	d <sub>2</sub> d <sub>10</sub>	d <sub>3</sub>	d <sub>4</sub>	d <sub>5</sub>	d <sub>6</sub>	d <sub>7</sub>	d <sub>8</sub>	d <sub>11</sub>
30	12	-	-	10	34	M6	35	-	M10	12	G1/4	22
40	15	-	-	10	42	M6	45	40	M10	12	G1/4	22
50	15	-	-	14	47	M6	55	40	M12	16	G1/4	22
60	15	-	-	14	47	M6	67	40	M12	16	G1/4	22
80	15	-	-	17	55	M8	87	45	M16	20	G1/4	22
100	20	-	-	22	70	M10	107	50	M20	25	G1/2	30
125	20	15	6°	27	85	M10	137	58	M24	30	G1/2	30
160	20	15	5°	32	110	M12	172	65	M30	35	G1/2	30
200	20	40	25°	36	145	M12	215	75	M36	40	G1/2	30

\*) piston diameter, \*\*) measures for DUMJ

## Dimensions

Measures in mm



Ø *)	l <sub>1</sub>	l <sub>2</sub>	l <sub>3</sub>	l <sub>4</sub>	l <sub>5</sub>	l <sub>8</sub>	l <sub>10</sub>	l <sub>11</sub>	l <sub>12</sub>	l <sub>13</sub>	l <sub>14</sub>	l <sub>16</sub>
40	43	29	44	10	7	72	65	13	8	147	25	15
50	53	36	47	10	7	72	70	13	10	162	30	15
60	53	36	56	10	7	72	80	13	10	162	30	15
80	53	37	72	10	9	78	100	13	10	170	30	15
100	72	52	88	12	10	102	124	19	13	224	40	20
125	104	77	108	12	11	102	152	19	14	267	50	20

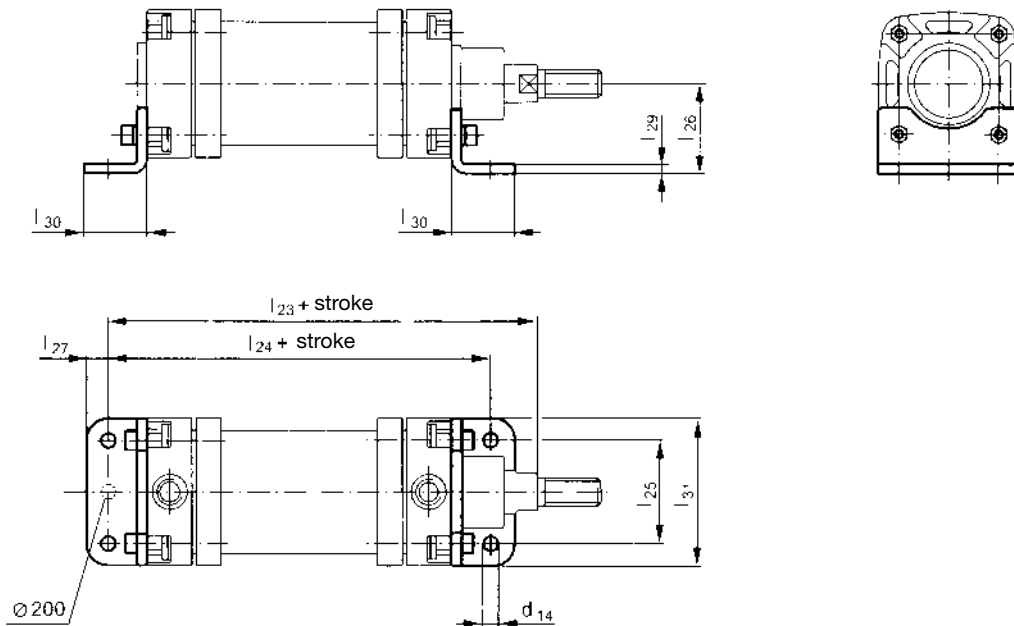
Ø *)	l <sub>17</sub>	l <sub>38</sub>	l <sub>49</sub>	d <sub>2</sub> d <sub>10</sub>	d <sub>3</sub>	d <sub>4</sub>	d <sub>5</sub>	d <sub>6</sub>	d <sub>7</sub>	d <sub>8</sub>	d <sub>11</sub>
40	-	-	14	42	M6	45	40	M12	16	G1/4	22
50	-	-	17	47	M6	55	45	M16	20	G1/4	22
60	-	-	17	47	M6	67	45	M16	20	G1/4	22
80	-	-	22	55	M8	87	50	M20	25	G1/4	22
100	8	5°	27	70	M10	107	58	M24	30	G1/2	30
125	15	5°	32	85	M10	137	65	M30	35	G1/2	30

\*) piston diameter

## Mounting parts

Measures in mm

### DUJ/DUVJ/DUMJ 11-.../...



#### Order details

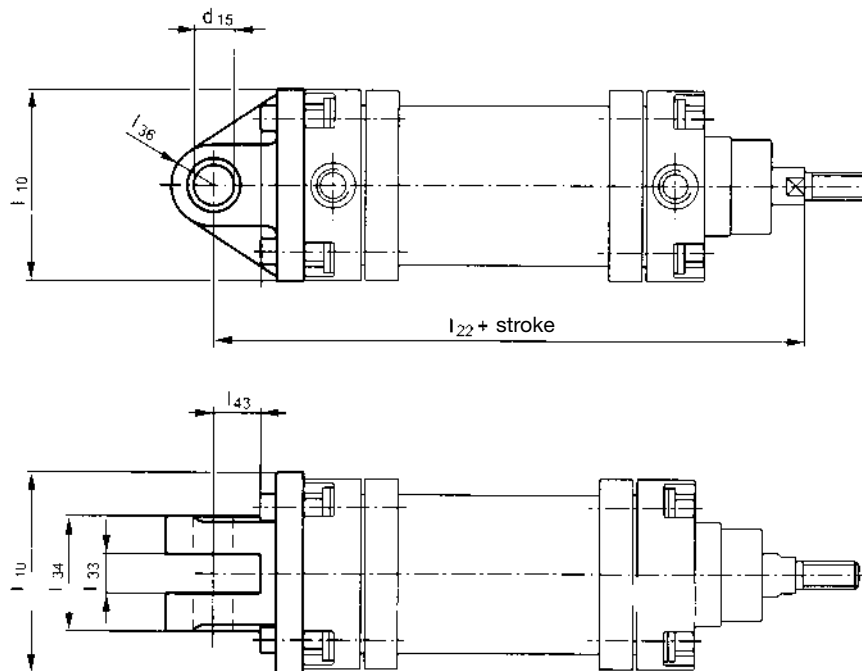
Ø *)	l <sub>23</sub>	l <sub>23</sub> **)	l <sub>23</sub> ***)	l <sub>24</sub>	l <sub>24</sub> ***)	l <sub>25</sub>	l <sub>26</sub>	l <sub>27</sub>	l <sub>29</sub>	l <sub>30</sub>	l <sub>31</sub>	d <sub>14</sub> )	Order No.
30	134,0	-	144,0	115	125	36	35,0	8,5	5	30	50	7,0	J 010300011
40	134,0	136,5	144,0	115	125	44	42,5	10,5	6	32	65	7,0	J 010400011
50	136,5	146,5	136,5	115	115	47	45,0	11,5	6	33	70	7,0	J 010500011
60	136,5	146,5	136,5	115	115	56	50,0	12,5	6	34	80	7,0	J 010600011
80	147,0	157,0	157,0	130	130	72	60,0	14,0	6	40	100	9,5	J 010800001
100	177,0	208,0	183,0	170	170	88	75,0	18,0	8	52	124	11,5	J 011000011
125	210,5	237,5	210,5	175	175	108	90,0	21,5	10	58	152	11,5	J 011250011
160	252,0	-	252,0	190	190	140	110,0	23,0	11	65	196	14,0	J 011600011
200	283,0	-	283,0	195	195	200	145,0	23,0	12	65	260	18,0	J 012000011

\*) piston diameter, \*\*) measures for DUVJ, \*\*\*) measures for DUMJ

## Mounting parts

Measures in mm

### DUJ/DUVJ/DUMJ 21-.../...



### Order details

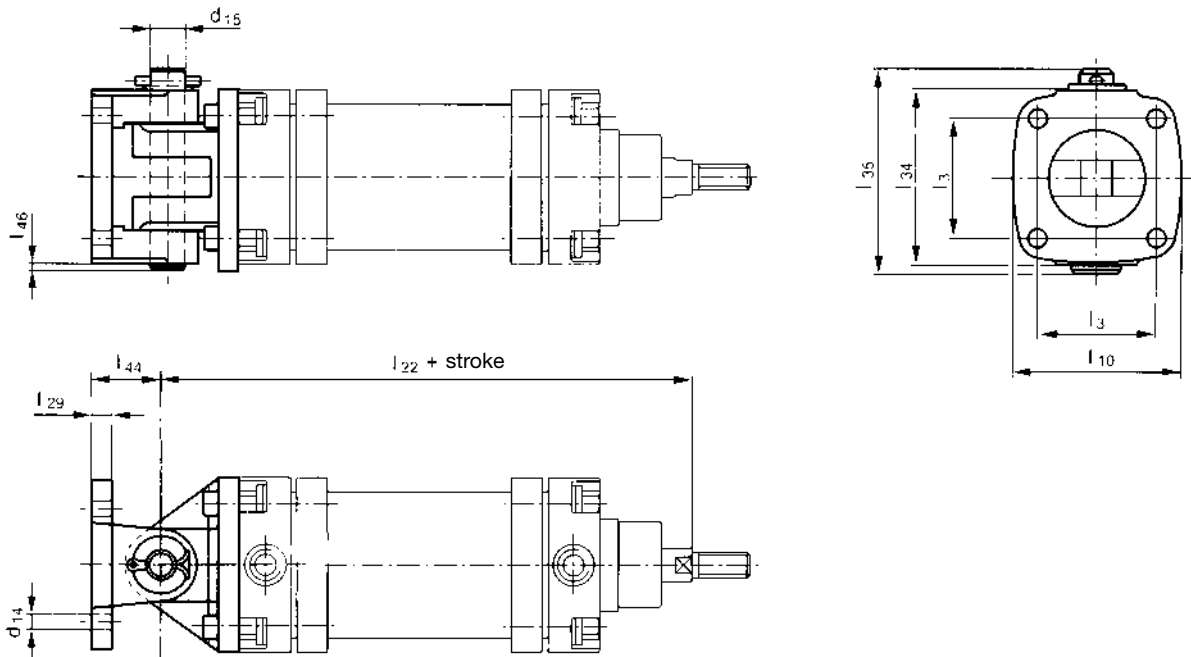
$\varnothing$ *)	$l_{10}$	$l_{22}$	$l_{22}^{**}$	$l_{22}^{***}$	$l_{33}^{H11}$	$l_{34} \text{ d10}$	$l_{36}$	$l_{43}$	$d_{15}^{H8}$	Order No.
30	50	142,5	-	152,5	12	36	15	16	10	J 010300021
40	65	147,5	150	157,5	16	44	16	20	12	J 010400021
50	70	153,0	163	153,0	18	48	18	22	14	J 010500021
60	80	153,0	163	153,0	18	48	18	22	16	J 010600021
80	100	165,0	175	175,0	20	60	20	25	18	J 010800021
100	124	193,0	224	199,0	25	75	25	30	22	J 011000021
125	152	232,0	259	232,0	32	92	30	35	25	J 011250021
160	196	278,0	-	278,0	40	120	38	43	30	J 011600021
200	$\varnothing 260$	316,0	-	316,0	50	155	45	50	35	J 012000021

\*) piston diameter, \*\*) measures for DUVJ, \*\*\*) measures for DUMJ

## Mounting parts

Measures in mm

### DUJ/DUVJ/DUMJ 23-.../...



### Order details

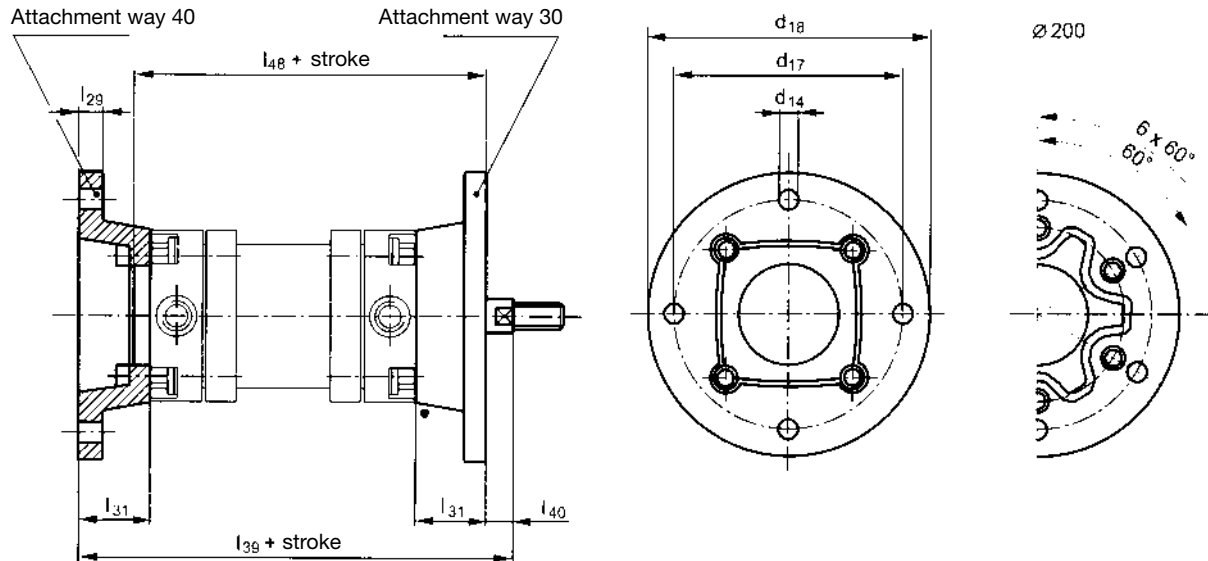
Ø *)	l <sub>3</sub>	l <sub>10</sub>	l <sub>22</sub>	l <sub>22</sub> **)	l <sub>22</sub> ***)	l <sub>29</sub>	l <sub>34</sub>	l <sub>35</sub>	l <sub>44</sub>	l <sub>46</sub>	d <sub>14</sub>	d <sub>15</sub>	Order No.
30	36	50	142,5	-	152,5	10	56	67	30	2	7,0	10	J 010300023
40	44	65	147,5	150	157,5	10	70	83	35	3	7,0	12	J 010400023
50	47	70	153,0	163	153,0	10	74	88	38	3	7,0	14	J 010500023
60	56	80	153,0	163	153,0	10	84	98	38	3	7,0	16	J 010600023
80	72	100	165,0	175	175,0	12	104	118	44	3	9,0	18	J 010800023
100	88	124	193,0	224	199,0	17	128	144	50	4	11,5	22	J 011000023
125	108	152	232,0	259	232,0	20	156	175	58	5	11,5	25	J 011250023
160	140	196	278,0	-	278,0	22	200	225	68	5	14,0	30	J 011600023
200	Ø230	Ø260	316,0	-	316,0	22	260 <sub>-0,4</sub>	286	75	6	14,0	35	J 012000023

\*) piston diameter, \*\*) measures for DUVJ, \*\*\*) measures for DUMJ

## Mounting parts

Measures in mm

### DUJ/DUVJ/DUMJ 30/40-.../...



#### Order details

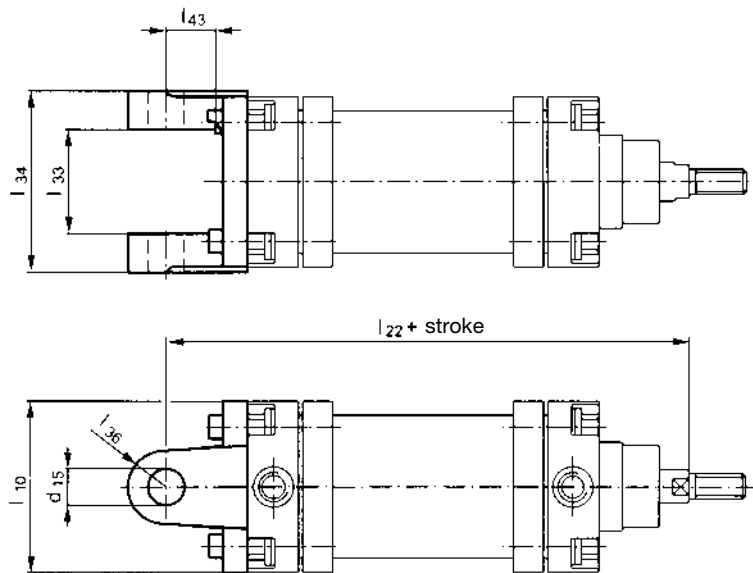
Ø *)	l <sub>29</sub>	l <sub>31</sub>	l <sub>39</sub>	l <sub>39</sub> **)	l <sub>39</sub> ***)	l <sub>40</sub>	l <sub>40</sub> **)	l <sub>48</sub>	l <sub>48</sub> ***)	d <sub>14</sub>	d <sub>17</sub>	d <sub>18</sub>	Order No.
30	10	16	128,5	-	138,5	24,5	-	95	105	7,0	70	86	J 010300030
40	10	32	144,5	147	154,5	8,5	11	111	121	9,0	90	115	J 010400030
50	10	32	147,0	157	147,0	11,0	21	111	111	9,0	95	120	J 010500030
60	10	32	147,0	157	147,0	11,0	21	111	111	9,0	105	130	J 010600030
80	12	29	150,0	160	160,0	14,0	24	116	126	9,0	120	140	J 010800030
100	12	32	175,0	206	181,0	9,0	40	144	150	11,5	150	175	J 011000030
125	14	55	229,0	256	229,0	17,0	44	168	168	14,0	190	220	J 011250030
160	20	85	295,0	-	295,0	19,0	-	203	203	18,0	235	275	J 011600030
200	22	36	277,0	-	277,0	94,0	-	161	161	18,0	300	340	J 012000030

\*) piston diameter, \*\*) measures for DUVJ, \*\*\*) measures for DUMJ

## Mounting parts

Measures in mm

### DUJ/DUVJ/DUMJ 51-.../...



#### Order details

Ø *)	l <sub>10</sub>	l <sub>22</sub>	l <sub>22</sub> **)	l <sub>22</sub> ***)	l <sub>33</sub> <sup>H11</sup>	l <sub>34</sub> d10	l <sub>36</sub>	l <sub>43</sub>	d <sub>15</sub> <sup>H8</sup>	Order No.
30	50	142,5	-	152,5	36	56	15	16	10	J 010300051
40	65	147,5	150	157,5	44	70	16	20	12	J 010400051
50	70	153,0	163	153,0	48	74	18	22	14	J 010500051
60	80	153,0	163	153,0	48	84	18	22	16	J 010600051
80	100	165,0	175	175,0	60	104	20	25	18	J 010800051
100	124	193,0	224	199,0	75	128	25	30	22	J 011000051
125	152	232,0	259	232,0	92	156	30	35	25	J 011250051
160	196	278,0	-	278,0	120	200	38	43	30	J 011600051
200	Ø260	316,0	-	316,0	155	260 <sub>-0,4</sub>	45	50	35	J 012000051

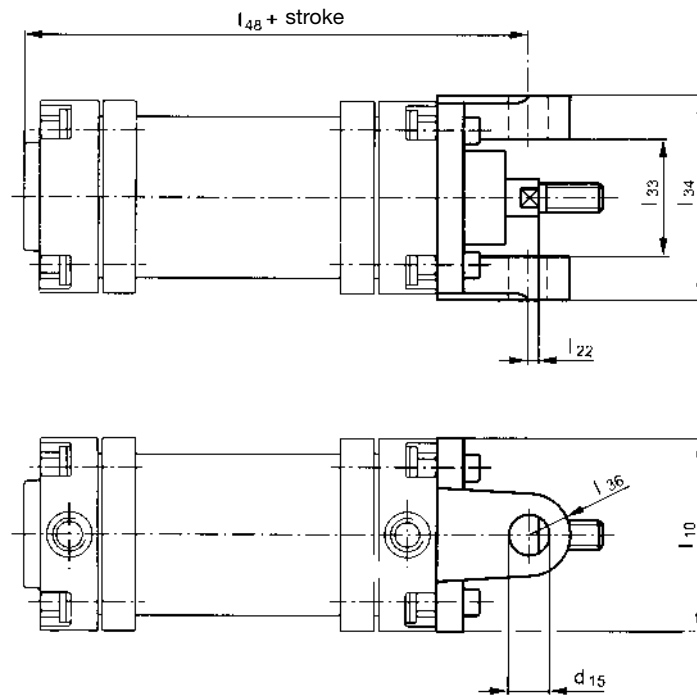
\*) piston diameter, \*\*) measures for DUVJ, \*\*\*) measures for DUMJ



## Mounting parts

Measures in mm

### DUJ/DUVJ/DUMJ 61-.../...



### Order details

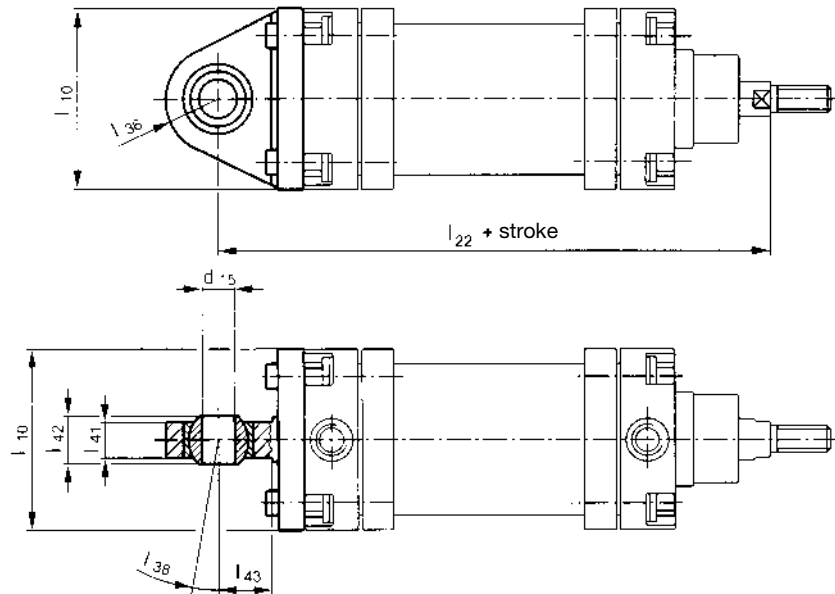
Ø *)	l <sub>10</sub>	l <sub>22</sub>	l <sub>22</sub> **)	l <sub>33</sub> H11	l <sub>34</sub> d10	l <sub>36</sub>	l <sub>48</sub>	l <sub>48</sub> ***)	d <sub>15</sub> H8	Order No.
30	50	10,5	-	36	56	15	109	119	10	J 010300061
40	65	5,5	8	44	70	16	114	124	12	J 010400061
50	70	5,0	15	48	74	18	117	117	14	J 010500061
60	80	5,0	15	48	84	18	117	117	16	J 010600061
80	100	-1,0	9	60	104	20	131	141	18	J 010800061
100	124	-9,0	22	75	128	25	162	168	22	J 011000061
125	152	14,0	41	92	156	30	171	171	25	J 011250061
160	196	36,0	-	120	200	38	186	186	30	J 011600061
200	Ø260	55,0	-	155	260 <sub>-0,4</sub>	45	200	200	35	J 012000061

\*) piston diameter, \*\*) measures for DUVJ, \*\*\*) measures for DUMJ

## Mounting parts

Measures in mm

### DUJ/DUVJ/DUMJ 81-.../...



### Order details

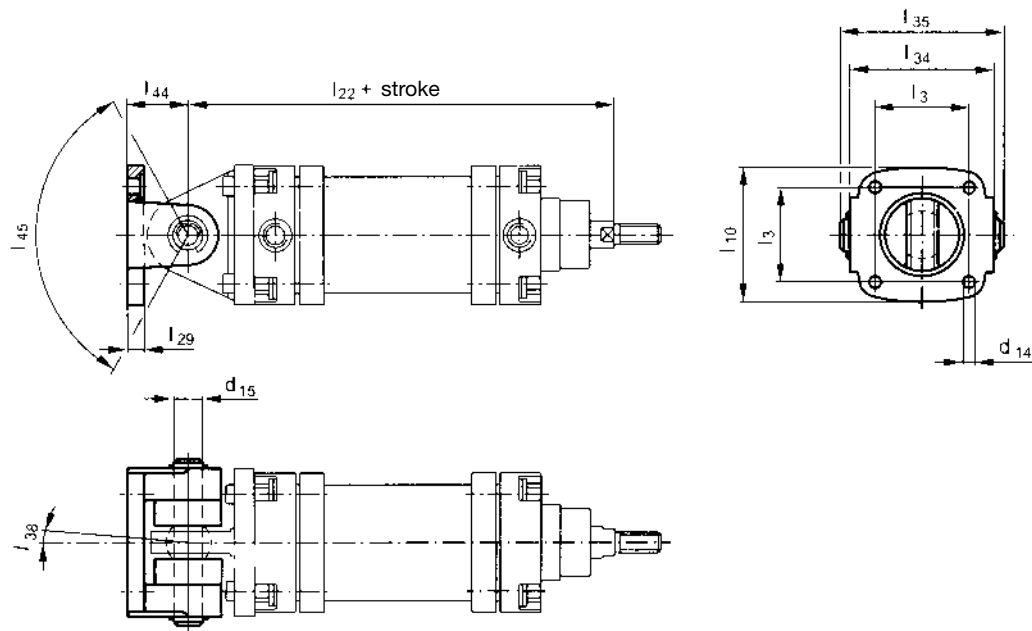
$\varnothing^*)$	$l_{10}$	$l_{22}$	$l_{22}^{**)}$	$l_{22}^{***)}$	$l_{36}$	$l_{38}$	$l_{41}$	$l_{42 \pm 0,1}$	$l_{43}$	$d_{15}^{H7}$	Order No.
30	50	142,5	-	152,5	18	13°	10,5	14	17	10	J 010300081
40	65	147,5	150	157,5	21	13°	12,0	16	20	12	J 010400081
50	70	153,0	163	153,0	23	15°	13,5	19	23	14	J 010500081
60	80	153,0	163	153,0	25	15°	15,0	21	23	16	J 010600081
80	100	165,0	175	175,0	28	15°	16,5	23	26	18	J 010800081
100	124	193,0	224	199,0	31	15°	20,0	28	29	22	J 011000081
125	152	232,0	259	232,0	35	15°	22,0	31	39	25	J 011250081

\*) piston diameter, \*\*) measures for DUVJ, \*\*\*) measures for DUMJ

## Mounting parts

Measures in mm

### DUJ/DUVJ/DUMJ 83-.../...



### Order details

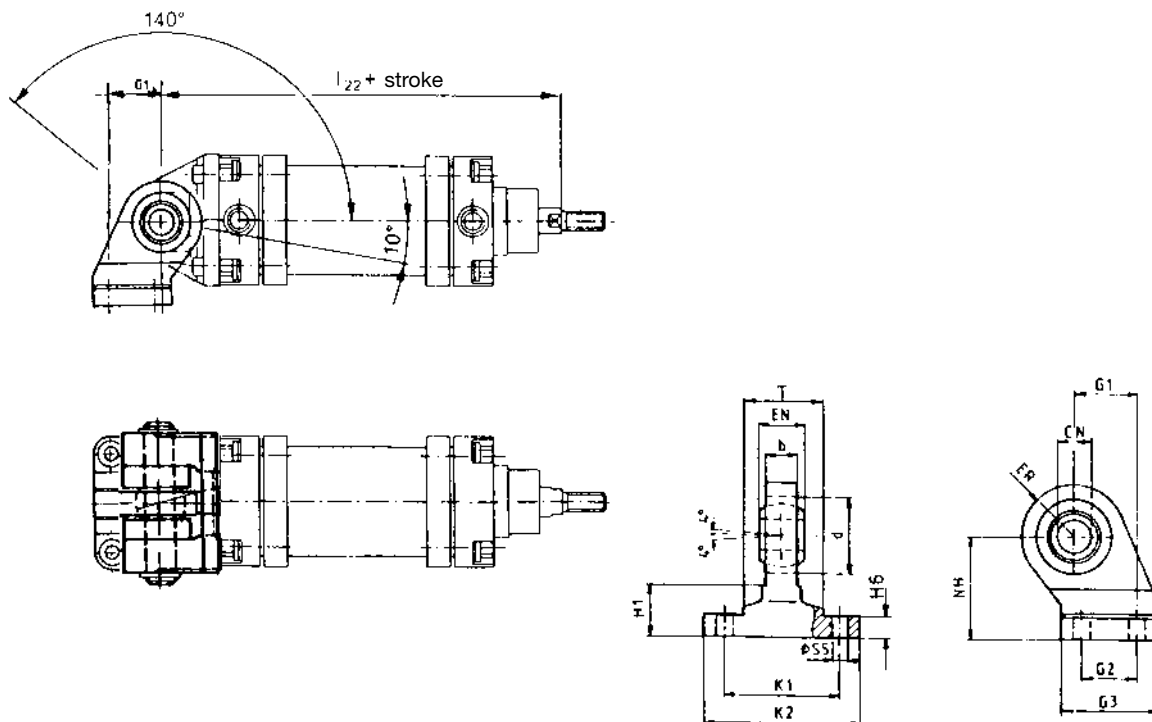
$\varnothing$ *)	$l_3$	$l_{10}$	$l_{22}$	$l_{22}^{**}$	$l_{22}^{***}$	$l_{29}$	$l_{34}$	$l_{35}$	$l_{38}$	$l_{44}$	$l_{45}$	$d_{14}$	$d_{15}^{H7}$	Order No.
30	36	50	142,5	-	152,5	10	56	64	7°	30	110°	7,0	10	J 010300083
40	44	65	147,5	150	157,5	10	70	78	7°	35	130°	7,0	12	J 010400083
50	47	70	153,0	163	153,0	10	74	84	8°	38	130°	7,0	14	J 010500083
60	56	80	153,0	163	153,0	10	84	94	9°	38	120°	7,0	16	J 010600083
80	72	100	165,0	175	175,0	12	104	114	9°	44	110°	9,0	18	J 010800083
100	88	124	193,0	224	199,0	17	128	140	9°	50	90°	11,5	22	J 011000083

\*) piston diameter, \*\*) measures for DUVJ, \*\*\*) measures for DUMJ

## Mounting parts

Measures in mm

### DUJ/DUVJ/DUMJ 85-.../...



#### Order details

Ø *)	l <sub>22</sub>	l <sub>22</sub> **)	l <sub>22</sub> ***)	EN	b	CNH7	d	G1Js 14	G2Js 14	G3 <sub>max.</sub>	NHJs 15	H6	K1Js 14	K2 <sub>max.</sub>	ER <sub>max.</sub>	S5H13	T	Order No.
30	142,5	-	152,5	14	10,5	10	22	21	18	31	32	10	38	51	16	5,5	24	J 010300085
40	147,5	150	157,5	16	12,0	12	26	24	22	35	36	10	41	54	18	5,5	27	J 010400085
50	153,0	163	153,0	21	15,0	16	32	33	30	45	45	12	50	65	21	6,6	31	J 010500085
60	153,0	163	153,0	21	15,0	16	32	37	35	50	50	12	52	67	23	6,6	33	J 010600085
80	165,0	175	175,0	25	18,0	20	40	47	40	60	63	14	66	86	28	9,0	42	J 010800085
100	193,0	224	199,0	25	18,0	20	40	55	50	70	71	15	76	96	30	9,0	52	J 011000085

\*) piston diameter, \*\*) measures for DUVJ, \*\*\*) measures for DUMJ

## Spare parts

#### Order details

Typ	Order Nos. for spare part kits								
	Ø *) 30	Ø *) 40	Ø *) 50	Ø *) 60	Ø *) 80	Ø *) 100	Ø *) 125	Ø *) 160	Ø *) 200
<b>DUJ, DUMJ</b>	J 060300010	J 060400010	J 060500001	J 060600001	J 060800001	J 061000001	J 061250001	J 061600000	J 062000000
<b>DUVJ</b>	-	J 060400015	J 060500006	J 060600006	J 060800006	J 061000006	J 061250006	-	-
<b>DUDJ</b>	J 060300012	J 060400012	J 060500003	J 060600003	J 060800003	J 061000003	J 061250003	J 061600003	J 062000002

\*) piston diameter in mm