

Fan Series

F2E-120S/F2E-120B

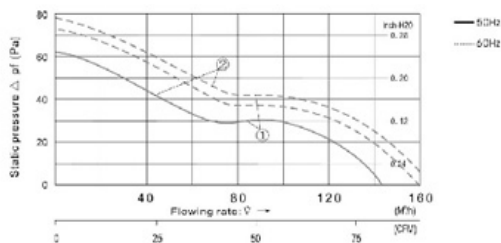
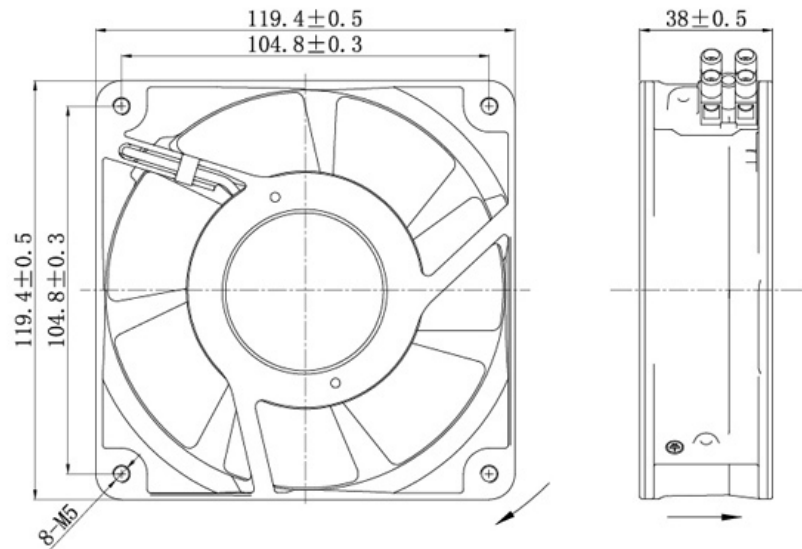
Certification	Impeller	Protection class
CE	Black plastic PBT	IP33

- **Frame** Aluminum die-casting, surfaces is finished by anti-corrosion treatment with primary color or black electrophoresis
- **Impeller** Black plastic PBT UL94V-0
- **Operation Temperature/Humidity**
Temperature -30°C~+65°C (temperature) 0%~95%(humidity)
- **Protection** Motor Internal with automatic recovery thermal protector
- **Withstand Voltage** AC 1,800V, 1 min at 0.5mA, 50/60 Hz
- **Insulation Grade** Design according to IEC61858 Grade F,



120×120×38mm

Dimensions



1. Rotation direction of blades: CCW seen from the front impellers
2. Power Connection: UL3385-22 Lead wire
3. Unit weight: 0.55kg

Model	Order Code	Bearing	Voltage V	Frequency Hz	Current (A)	Power (W)	Speed (r/min)	Air Flow (m³/h)	Noise (dB)	Weight (kg)
F2E-120S-230	2018.007	Sleeve	220/230	50/60	0.12/0.10	19/14	2800	145/160	50/52	0.55
F2E-120B-230	2018.009	ball								
F2E-120S-115	2018.008	Sleeve	110/115	50/60	0.24/0.20	18/15	2800	145/160	50/52	0.55
F2E-120B-115	2018.010	ball								
F2E-120S-24	2018.030	Sleeve	24	50/60	0.30	7.20	2520/3080	200	42/47	0.55