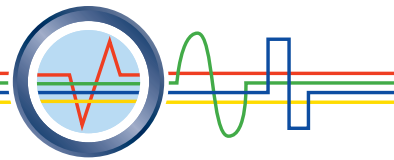
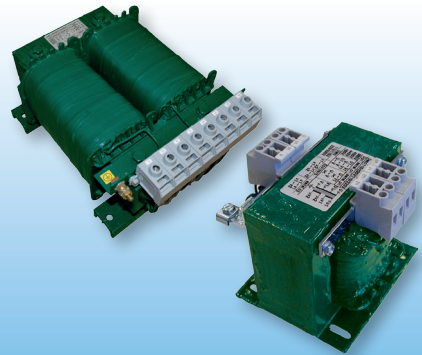


1-PHASE TRANSFORMERS FOR SHIP APPLICATION



TRANSFORMATOREN
wesemann



UNIVERSAL SHIP TRANSFORMERS

GENERAL SPECIFICATIONS

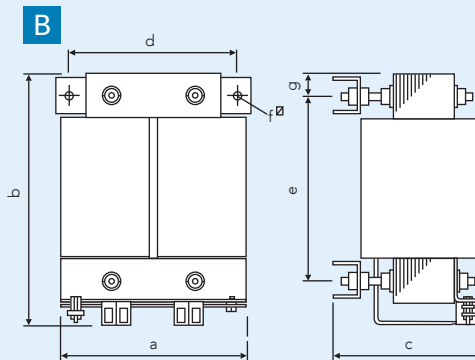
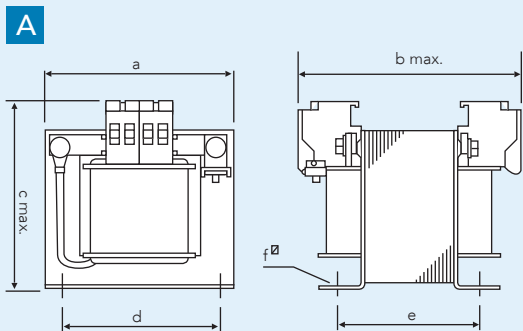
AMBIENT TEMP.	PROTECTION	FREQUENCY	PRIMARY	SECONDARY
max. 55 °C	IP00	50/60 Hz	380-400-440-460 Volt	115/230-110/220 Volt

TECHNICAL SPECIFICATIONS

ART.NR.	POWER	CORE TYPE	Dimensions (in mm)							WEIGHT
			a	b max.	c max.	d	e	f [□]	g	
22012500 *	30 VA	EI 84/43	84	120	98	71	63	5,5	1,8	1,85 kg.
22012501 *	50 VA	EI 96/35	96	110	104	80	55	5,5	2	2,10 kg.
22012505 *	100 VA	EI 105/45	105	120	112	80	70	5,5	3,4	3,10 kg.
22012507 *	150 VA	EI 120/41	120	117	123	100	68	5,5	4,2	4,10 kg.
22012515 *	200 VA	EI 120/41	120	117	123	100	68	5,5	4,2	4,05 kg.
22012510 *	250 VA	EI 120/53	120	129	123	100	80	5,5	5,7	4,90 kg.
22012511 *	300 VA	EI 120/53	120	129	123	100	80	5,5	5,7	4,90 kg.
22012513 *	500 VA	EI 150/49	150	123	147	135	76	6,5	8	7,70 kg.
22012516 *	1000 VA	EI 180/62	180	137	167	160	87	6,5	14	14,70 kg.
22012518 **	2000 VA	UI 150/65	200	290	165	180	200	10	25	20,00 kg.
22012519 **	3000 VA	UI 150/92	200	290	192	180	200	10	27	25,00 kg.
22012520 **	4000 VA	UI 180/75	280	340	185	220	240	10	30	40,00 kg.

* = tekening A ** = tekening B

The Wesemann range universal single phase transformers for ship application are especially suitable for use as control transformers on board of vessels or offshore applications. The transformers are built according LRS standards and usable in an ambient temperature of max 55 degr. Celsius. This makes these transformers very well suitable for most engine rooms. The transformers are vacuum impregnated and ready for tropical environments. The transformers vary from a rated output power between 30VA and 4kVA.



CONNECTION

	Sec. 115/230	Sec. 110/220	
PRI V	connect. PRI	connect. PRI	
380	U1 - V1	U - V1	
400	U - V1	∞	
440	U1 - V	U - V	
450	U - V	∞	
SEC V	through-connect	connect.	
110/115	u1 - u2 . v1 - v2	u1 - v1	
220/230	v1 - u2	u1 - v2	

DESCRIPTION

- Transformers built according VDE 550 rules Lloyds, Veritas, ABS, etc.
- According to IEC 92-303 rules from the Dutch Shipping Inspection
- Vacuum impregnation (tropical)
- Terminals cadmium free

Droogbloem 31
NL-3068 AW Rotterdam
PO Box: 81005
NL-3009 GA Rotterdam

Phone: +31 (0)10 286 2000
Fax: +31 (0)10 286 2005
E-mail: sales@wesemann.eu
Website: www.wesemann.eu

