

## FEATURES

### Input voltage

18÷32 Vdc

### Input current

9 A Max

### Switching operating frequency

60KHz typ.

### Input protections

- Fuse
- RFI filter
- Soft-start >3ms C203 2.2nF (C.S.B944 B)

### See table for

- Output voltages and currents
- Output ripple
- Line and load regulation

### Output protections

- Overvoltage: on output A
- Overload protection on all output
- Short circuit protection on all outputs

### Output signals

- Power fail

### Operating temperature

-10°C to +70°C

### Temperature power derating

2%/°C (50+70°C)

### Storage temperature

-20°C to +80°C

### Cooling

External forced ventilation

### Dielectric withstand voltage

- Input - Output: 500Vdc (on isol. comp)

- Input - P.E. 500Vdc

### Isolation

- Input - P.E. > 200MΩ
- Output - P.E. > 200 MΩ

### Comply with

- EN50081-1
- EN50082-2
- EN60950-1
- CE

### Output power

- Max 90 W (natural convection)
- Max 140 W (forced ventilation)

### Connections

- IN: Connector DFK-MSTB2,5/3 GF-5,08 0710183 PHOENIX
- OUT: Connector 2-106527-0 TYCO
- OUT: Connector 2-106527-4 TYCO
- OUT: Connector 15-24-4048 MOLEX

## FEATURES TABLE

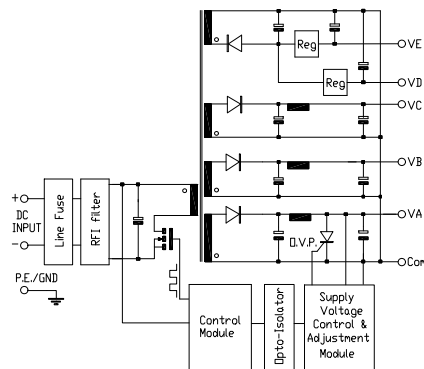
OUT	Vout Volts	Iout nominal Ampere	Imin Ampere	Imax * Ampere	Line & Load reg. Io 10÷100%	Ripple & Noise (0÷20MHz) mV
A (sw)	3.3	7	0.1	7	±5%	50
B (sw)	5	10	0.5	14	±5%	100
C (sw)	12	4.5	0	7	±5%	100
D (sr)	-5	0.3	0	0.3	±5%	50
E (sr)	-12	0.8	0	0.8	±5%	100

\* I max output values can be reached only if total output power is less than declared max value.

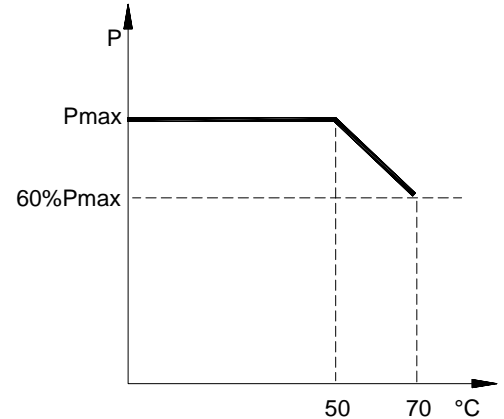
## POWER SUPPLY VIEW



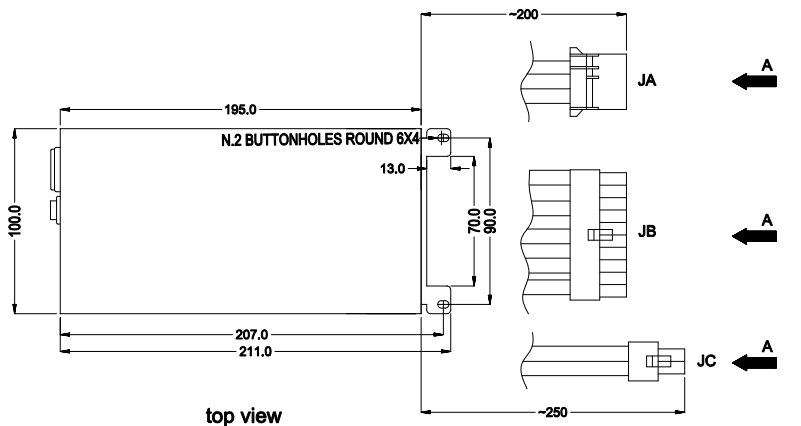
## BLOCK DIAGRAM



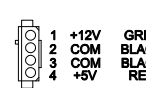
## TEMP. POWER DERATING



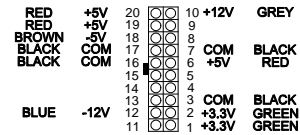
## DIMENSIONS AND CONNECTIONS



### VIEW A



PART NUMBER: 15-24-4048 MOLEX



PART NUMBER: 2-106527-0 TYCO



PART NUMBER: 106527-4 TYCO

top view

side view

rear view

front view