

Conductive Plastic Element



- **Low Profile**
- **High Precision**
- **100 Million Cycles**
- **25 to 150mm**
- **All Metal**

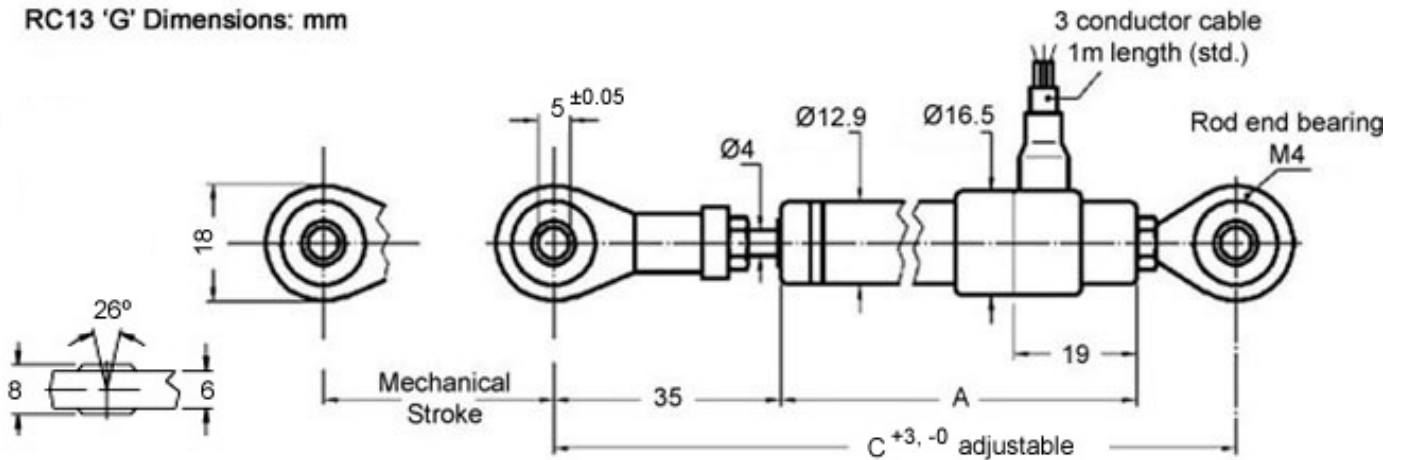
High precision, very long life industrial linear motion potentiometer series. Low profile. Aluminum housing and a standard IP60 rating make this series a popular choice for a wide range of industrial applications.

Electrical Specifications	RC13-25	RC13-50	RC13-75	RC13-100	RC13-150
Electrical Stroke (mm)	25	50	75	100	150
Resistance Value (Kohms)	1	2	3	4	6
Resistance Tolerance	± 20%				
Linearity Tolerance (standard)	±0.2%	±0.1%			±0.05%
Resolution	Essentially infinite (<0.01mm)				
Output Smoothness	<0.1% against input voltage				
Power @ 40° (W)	0.5	1.0	1.5	2.0	3.0
Temperature Coefficient	400 ppm/K				
Insulation Resistance	>100 Mohm @ 500 VDC				
Dielectric Strength	1 minute @ 500 VAC				
Maximum Wiper Current	2mA				
Recommended Wiper Current	<1µA				
Mechanical Specifications					
Mechanical Stroke (mm)	30	55	80	105	155
Operating Friction	0.5 (N) max.				
Hysteresis	0.02 %				
Weight Style G (g)	70	80	90	100	120
Weight Style M (g)	45	55	65	75	95
Weight Style F (g)	60	70	80	90	110
Life Expectancy	25 million meters or 100 million cycles, whichever occurs first				
Displacement Speed	10 m/s				
Vibration	20 g / 10Hz to 2,000 Hz (shaft retracted)				
Shock	50 g / 11ms				
Environmental Specifications					
Operating Temperature	-30°C to +100°C				
Storage Temperature	-40°C to +125°C				
IP Protection Grade	IP60				
Materials					
Housing	Aluminum				
Shaft	Stainless steel				

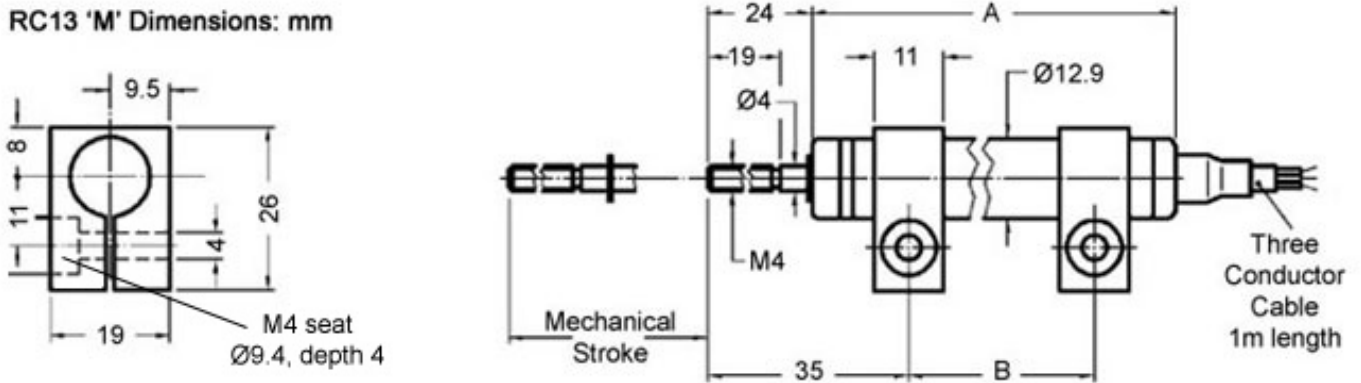
Dimension Table (mm)

	RC13-25	RC13-50	RC13-75	RC13-100	RC13-150
A style M	74.5	99.5	124.5	149.5	199.5
A style G	102	127	152	177	227
B style F	74.5	99.5	124.5	149.5	199.5
B style M	42	67	92	117	167
C style G	153	178	203	228	278

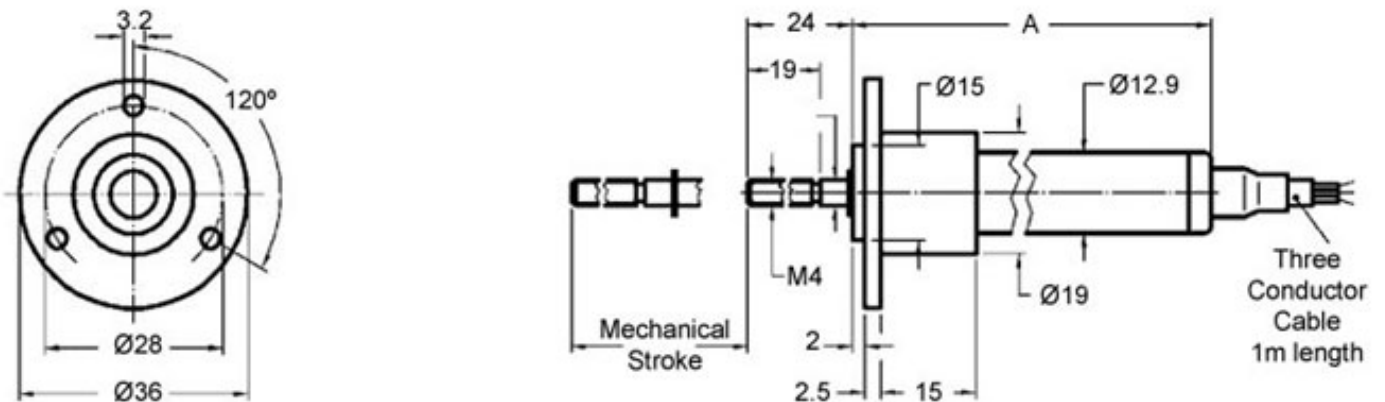
RC13 'G' Dimensions: mm



RC13 'M' Dimensions: mm



RC13 'F' Dimensions: mm



P3 America - 3089C Clairemont Dr. #363 - San Diego, CA 92117

P: (858) 277-1420 F: (858) 225-0439 - www.p3america.com