



EL30 E/H/I INCREMENTAL ENCODER



Incremental encoder

Miniaturized Ø30 encoder series. Used when a minimal size is required even providing excellent performances.

- Up to 1024 ppr with Zero.
- Several output types available. Up to 24 Vdc input voltage.
- Up to 100 kHz frequency response
- Output cable. Cable connector available on request.
- Several flanges available
- Up to 3.000 rpm speed rotation
- Up to IP54 sealing



shaft INCREMENTAL ENCODERS

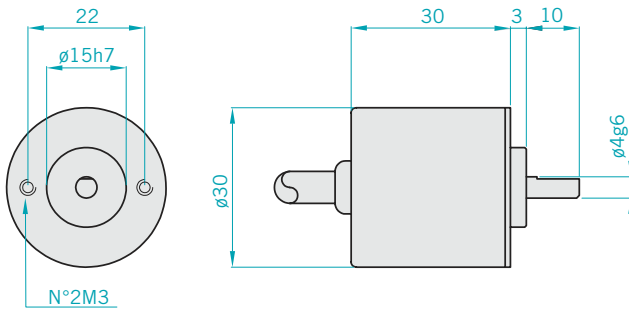
Ordering code

Full stop to separate special version

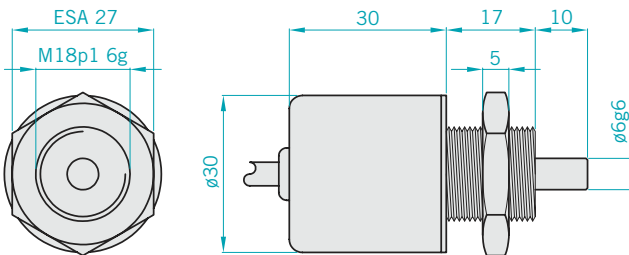
EL	30	E	50	Z	5	N	4	X	3	P	A	.	XXX
incremental encoder series	body dimension	Type of flanges							R.P.M.	Enclosure rating	A axial		Special version code numbered from 001 to 999
		mod.EL 30 E							3 3000	X standard IP54			
		mod.EL 30 H											
		mod.EL 30 I											
			Resolutions										
			From 1 to 1024 PPR										
			<i>Please, directly contact our offices for pulses availability</i>										
			Zero pulse										
			without zero pulse	S									
			with zero pulse	Z									
			Input voltage										
			5										
			8 ÷ 24										
			Output types										
			N NPN										
			C NPN OPEN COLLECTOR										
			P PUSH PULL										
			L LINE DRIVER										
			<i>For optionals about output types please refer to incremental section</i>										

EL30 E / H / I

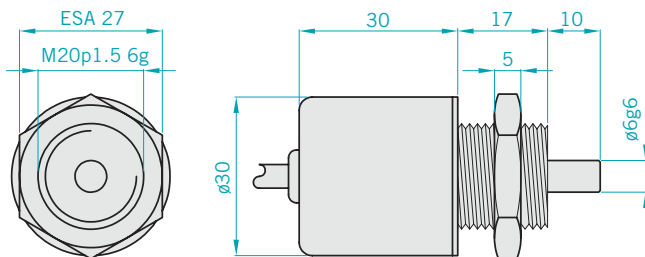
EL 30 E



EL 30 H



EL 30 I



Electrical specifications

Resolution	From 1 to 1024 PPR
Input voltage	5Vdc / 8 ÷ 24 Vdc
Input current with no output load	100 mA Max
Source and sink current	50 mA for channel 20 mA for channel with LINE DRIVER
Output types	NPN / NPNOPEN COLLECTOR / PUSH PULL / LINE DRIVER
Output frequency	100 KHz Max
Frequency response	$F = \frac{\text{RPM} \times \text{Resolution}}{60}$

Mechanical specifications

Shaft diameter	ø4 mm g6 EL 30 E ø6 mm g6 EL 30 H/I/E
Enclosure rating	IP54 standard
Shaft speed	3000 RPM
Max shaft load	5N (0.5 Kp) axial 5N (0.5 Kp) radial
Shock	50 G for 11 msec
Vibrations	10G 10 ÷ 2000 Hz
Bearings life	10 ⁹ revolutions
Bearings	n° 2 Ball bearings
Shaft material	Stainless steel AISI303
Body material	Aluminium D11S - UNI 9002/5
Housing material	PA 66 reinforced with fiber glass
Operating temperature	0° ÷ +60°C
Storage temperature	-25° ÷ +70°C
Weight	50 g