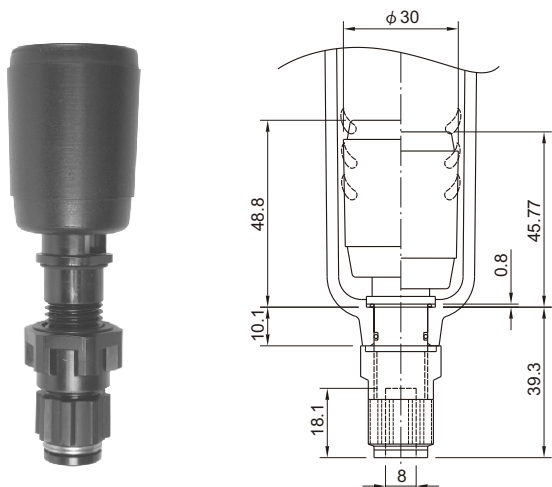


FMRF300 / MADV400 series



AUTO DRAIN VALVE

mindman



Specification

Model	FMRF300
Operating pressure range	0.15~1 MPa
Proof pressure	1.5 MPa
Ambient temperature	-5~+60°C (No freezing)

Order example

FMRF300 — AD — U

for AIR UNIT

MA**300 / 302 series

MA**400 series

MA**401 / 403 series

※ Ordered with filter together



Specification

Model	MADV400
Operating pressure range	0.05~1 MPa
Proof pressure	1.5 MPa
Ambient temperature	-5~+60°C (No freezing)

Order example

MADV400 — WB

MODEL

TYPE

WA

WB

