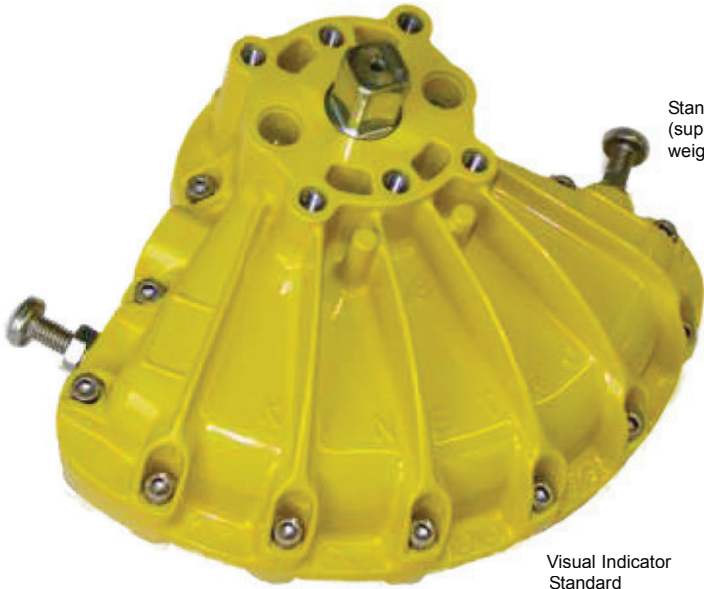
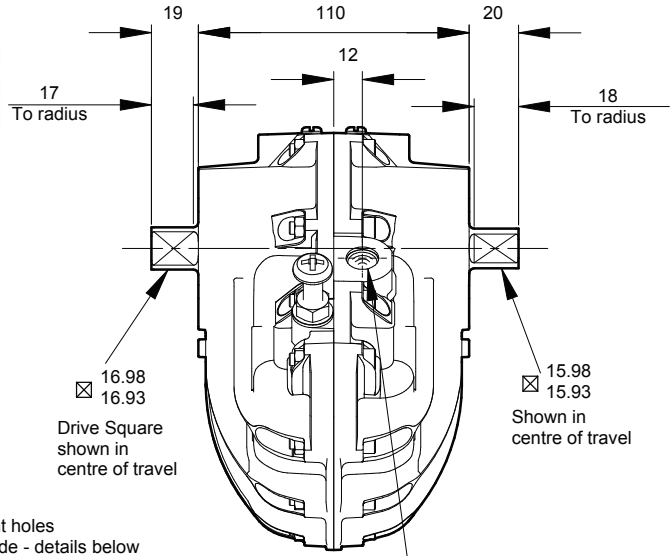
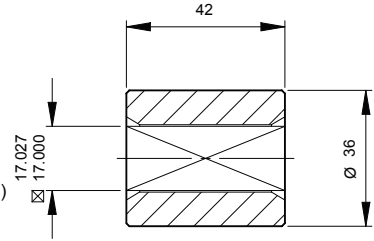


Model 08



Standard Coupling
(supplied with actuator
weight 0.52 lbs/0.24 kg)



Visual Indicator
Standard

Specification

Output Torque

1740 lbf ins/199 Nm
at 100 psi/7 bar

Angle of Travel (adjustable)

80° - 100°
(restricted travel
versions available)

Displaced Volume

29.6 in³/485 cm³

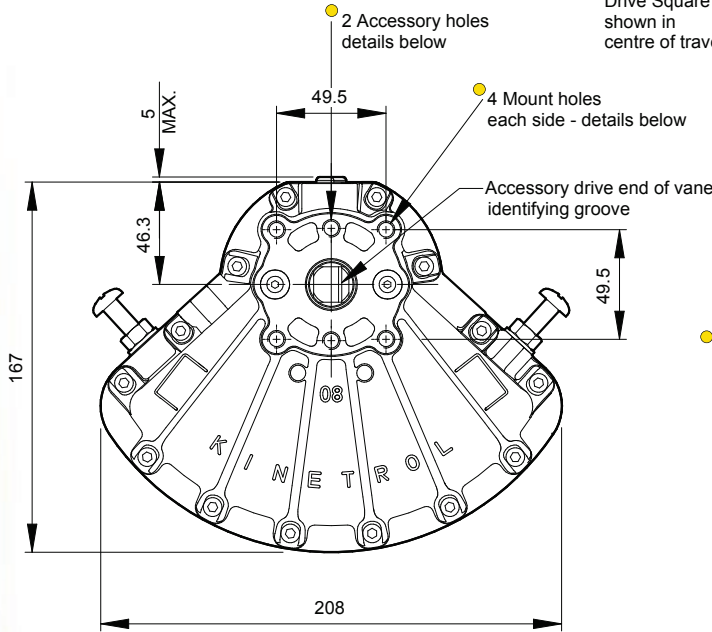
Finish

Epoxy stove enamel

Weight

5.60 lb/2.54 kg
(excluding coupling)

For further information
see General Specification
on page 47.



Air Port/Mount Hole Details

| Model | Air Ports | Mount Holes & Accessory Mount Holes |
|---------|-------------------------------|--|
| 084-100 | G ¹ / ₄ | 4 x M8 x 16 deep on 70.0 PCD 2 x M8 x 16 deep on 50.8 PCD |
| 087-100 | 1/4 NPT | 4 x 5/16 UNC -18 x 0.63" deep on 2.76" PCD 2 x 5/16 UNC -18 x 0.63" deep on 2.00" PCD |

Options

- Fail safe spring return units - clockwise or counter clockwise see pages 3-5
- Limit switch boxes for open/close indication - various switches for hazardous areas see pages 7-10
- AP pneumatic positioner - full range of options see pages 15/16
- EL electropneumatic positioner - full range of options see pages 13/14
- Integral solenoid valve see page 18
- P3 on/off positioner - full range of options Including hazardous area see pages 19-21
- Clear Cone position monitor see page 18
- ISO adaptor see page 6
- Female drive and mounting details to DIN 3337 and ISO 5211 see page 48
- G³/₈ or 3/8 NPT air port option available - contact Kinetrol
- Geared manual override see page 44
- Code identification see page 57
- Torque outputs see pages 55/56
- See pages 48-50 for English dimensions and dimensions of spring options
- High temperature/Low temperature options see page 47

