

SF2 500

Flow rates to 800 l/min



Technical data

Filter housing (Materials)

- Head: Anodized Aluminium
Steel (chemical heat treatment): only for SF2 535 - 540
- Cover: Anodized Aluminium
Steel (chemical heat treatment): only for SF2 535 - 540
- Optional flange: Anodized Aluminium

Temperature

- From -25 °C to +110 °C

Elements

- Fluid flow through the filter element from IN to OUT.

Seals

- Standard NBR series A
- Optional FPM series V

SF2 500 FILTERS MOUNTING SEE ON TOP DRAWING

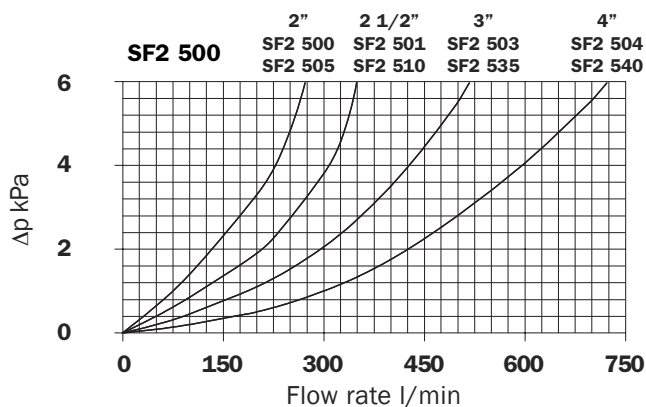
Weights (kg)

• SF2 500-501	4,0
• SF2 503	4,8
• SF2 504	5,8
• SF2 505	6,0
• SF2 510	7,2
• SF2 535	17
• SF2 540	19

Filter housings Δp pressure drop

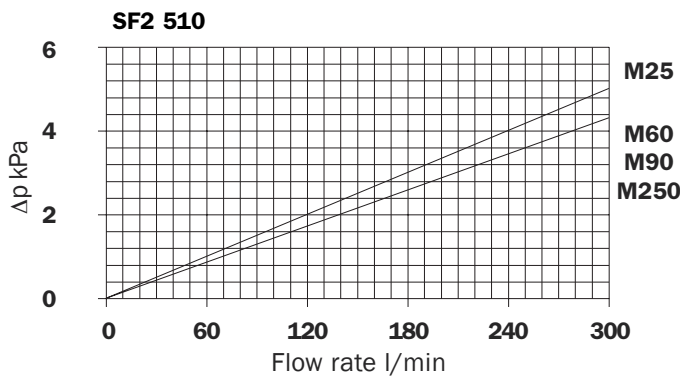
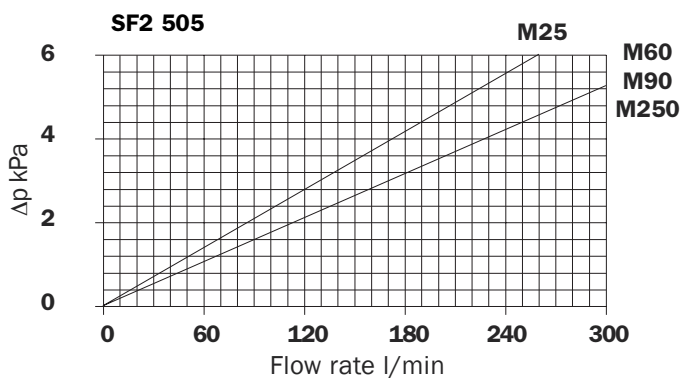
The curves are plotted utilising mineral oil with density of 0,86 kg/dm³ to ISO 3968.

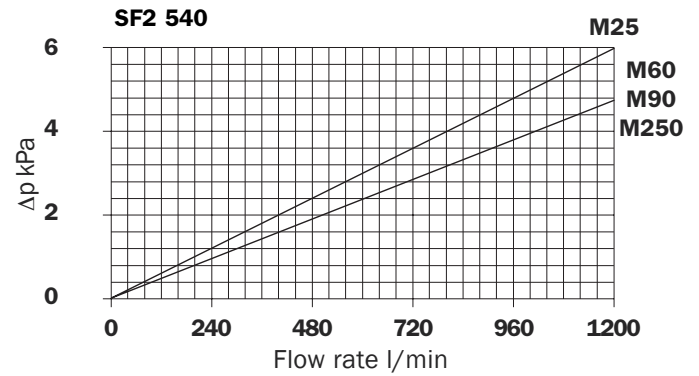
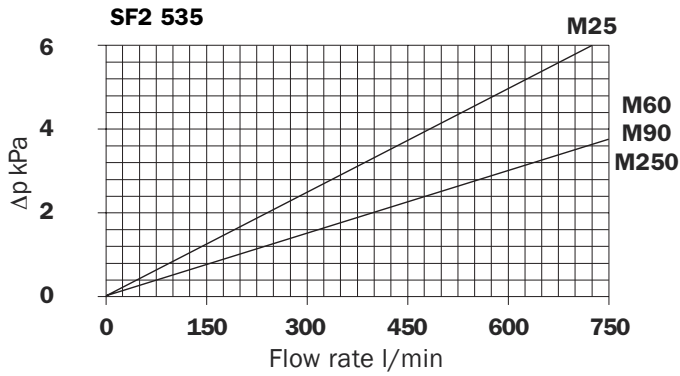
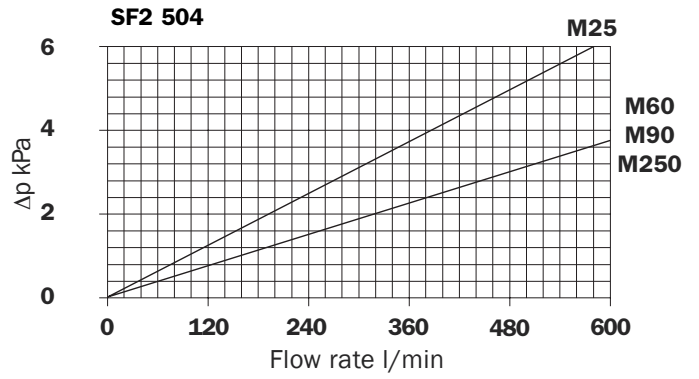
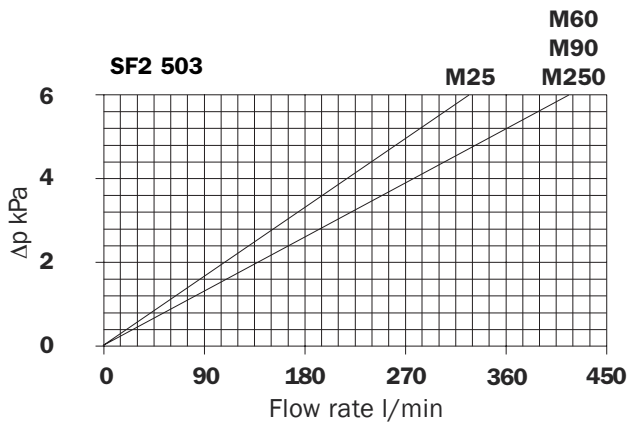
Δp varies proportionally with density.



Filter element Δp pressure drop

The curves are plotted utilising mineral oil with density of 0,86 kg/dm³ to ISO 3968.





Recommended maximum flow rate

- Pressure drop of filter assembly equal to Δp 8 kPa.
- Oil kinematic viscosity 30 mm²/s (cSt).
- Density 0,86 kg/dm³.

	Filtration	
	M25	M60-M90-250
SF2 500	250	280
SF2 501	300	340

Flow rate l/min

	Filtration	
	M25	M60-M90-250
SF2 503	400	480
SF2 504	550	650

Flow rate l/min

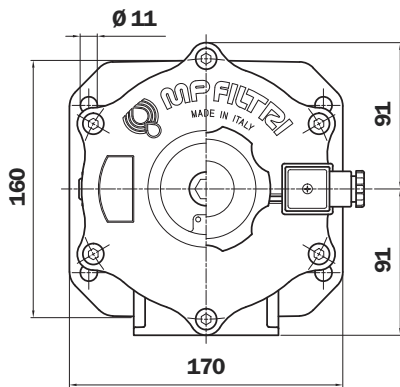
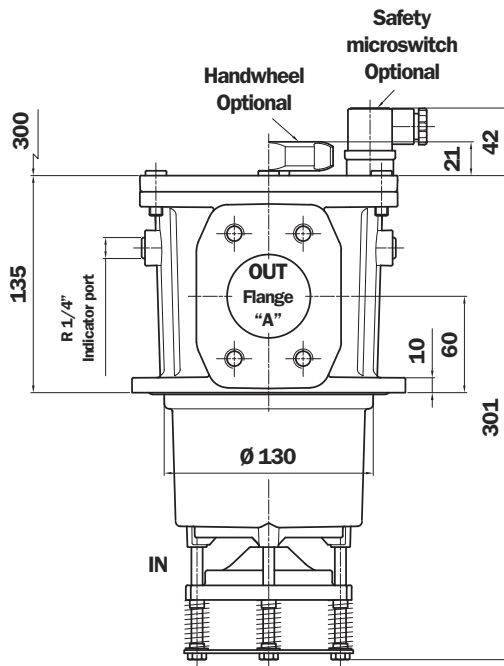
	Filtration	
	M25	M60-M90-250
SF2 505	200	250
SF2 510	250	280

Flow rate l/min

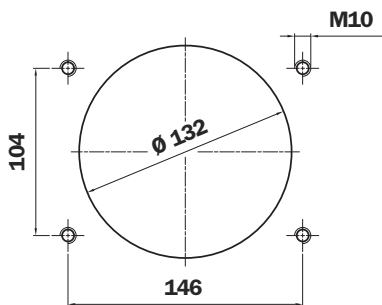
	Filtration	
	M25	M60-M90-250
SF2 535	450	550
SF2 540	700	800

Flow rate l/min

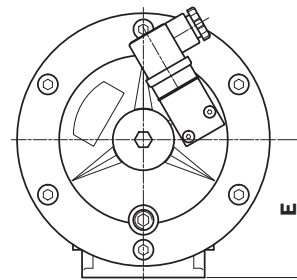
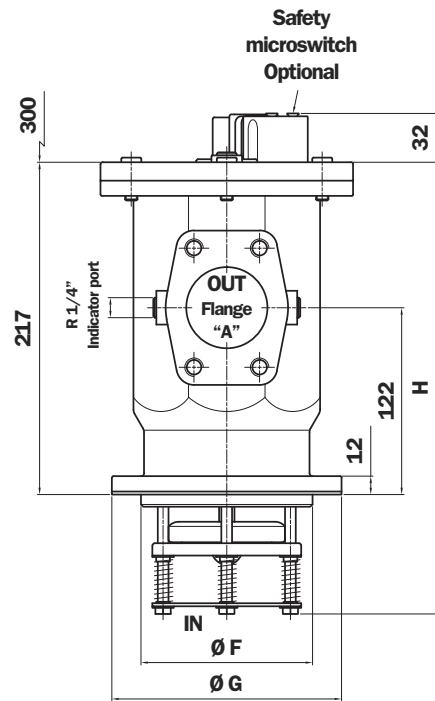
SF2 500 - 501



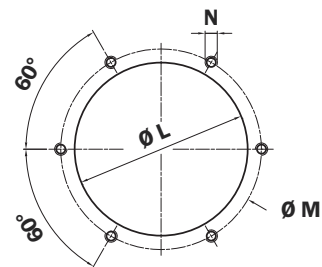
Holes on the tank



SF2 505 - 510



Holes on the tank



SF2 500 - 505 Flange connections

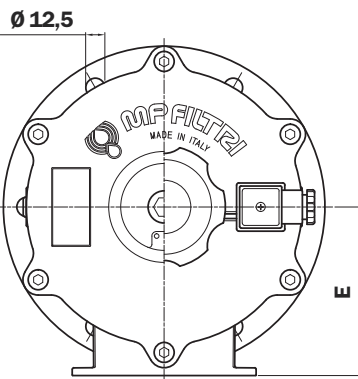
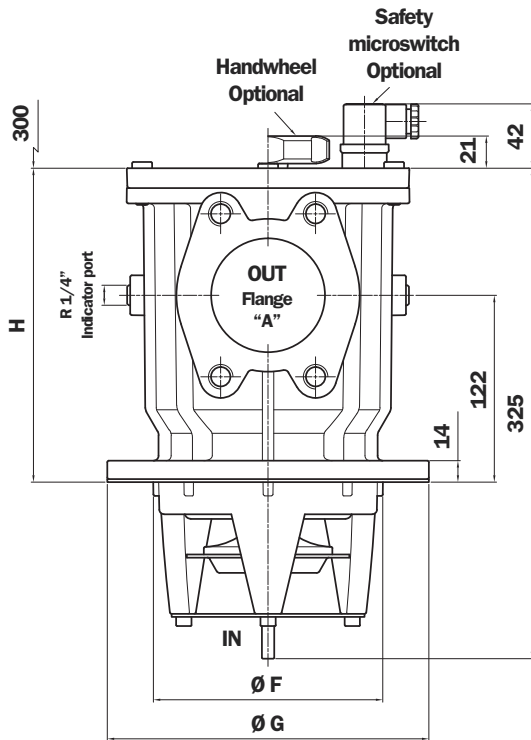
Type	A
F1	2" SAE 3000 psi/M
F2	2" SAE 3000 psi/UNC
C1*	2" SAE 3000 psi/M
C2*	2" SAE 3000 psi/UNC

SF2 501 - 510 Flange connections

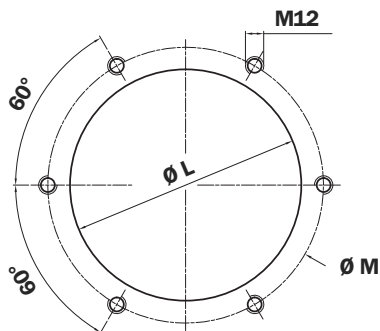
Type	A
F1	2 1/2" SAE 3000 psi/M
F2	2 1/2" SAE 3000 psi/UNC
C1*	2 1/2" SAE 3000 psi/M
C2*	2 1/2" SAE 3000 psi/UNC

* Flange C1/C2 mounted (see page 32)

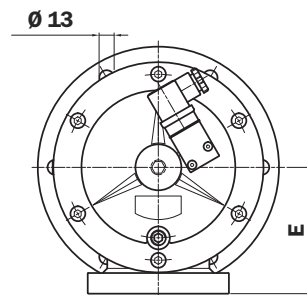
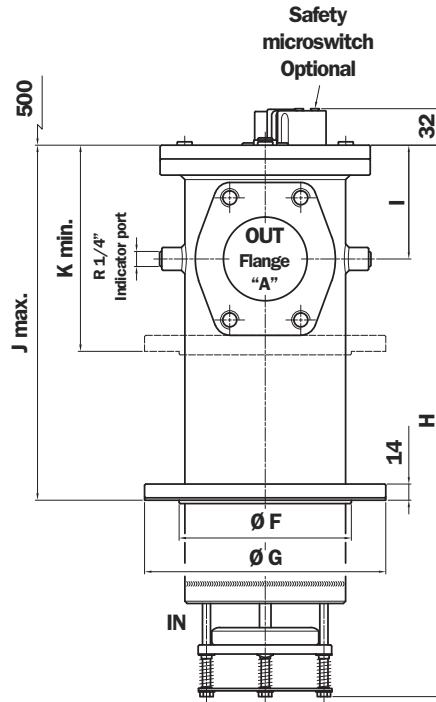
SF2 503 - 504



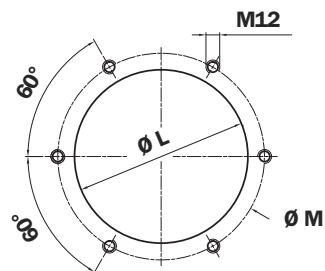
Holes on the tank



SF2 535 - 540



Holes on the tank



Filter Length	D1 mm	H1 mm	E mm	F mm	G mm	H mm	L mm	M mm
503	89	95	110	150	210	205	151	180
504	114	100	120	180	242	218	181	210

Filter Length	D1 mm	H1 mm	E mm	F mm	G mm	H mm	I mm	J mm	K mm	L mm	M mm
535	89	95	110	150	210	480	99	385	180	151	180
540	114	100	120	180	242	485	122	390	214	181	210

SF2 503 - 535 Flange connections

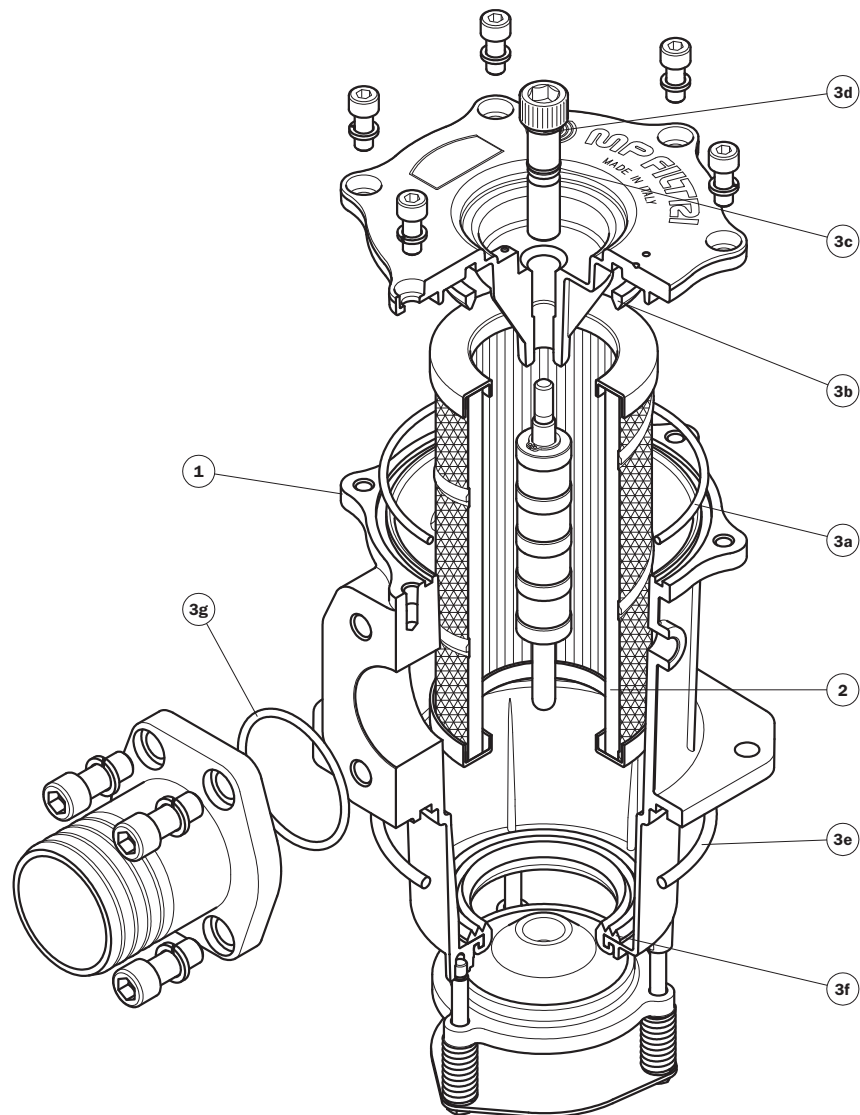
Type	A
F1	3" SAE 3000 psi/M
F2	3" SAE 3000 psi/UNC
C1*	3" SAE 3000 psi/M
C2*	3" SAE 3000 psi/UNC

SF2 504 - 540 Flange connections

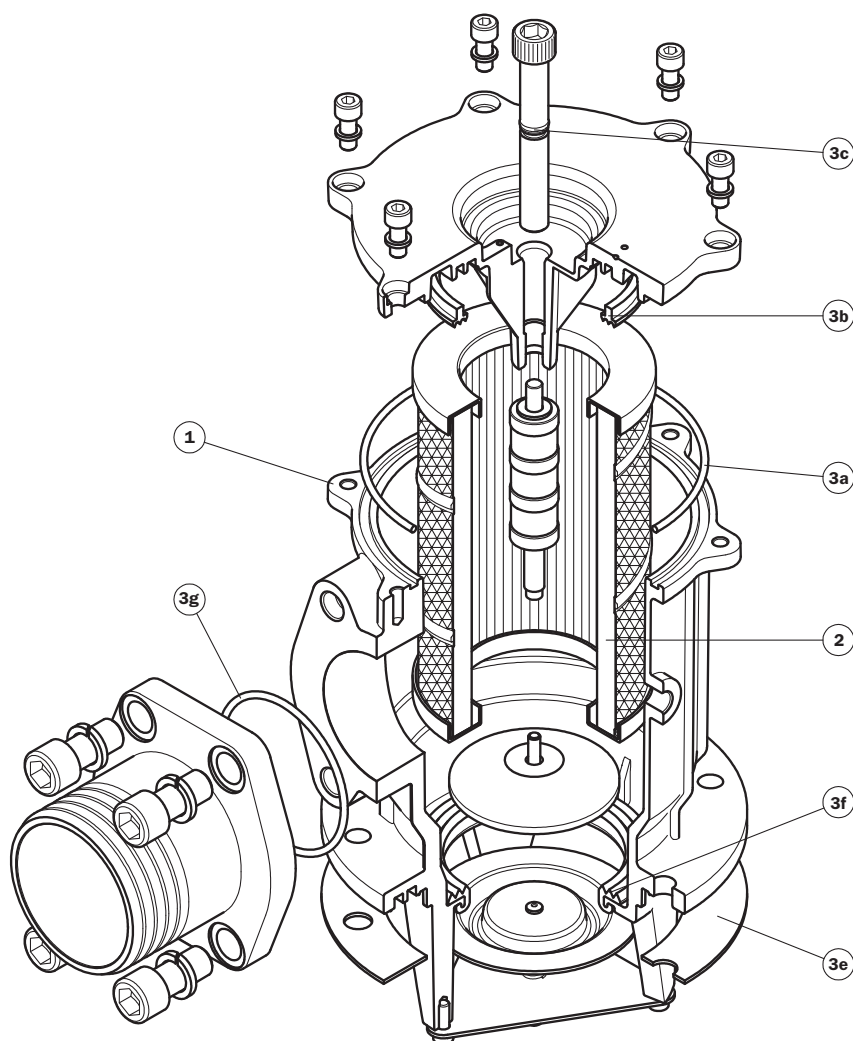
Type	A
F1	4" SAE 3000 psi/M
F2	4" SAE 3000 psi/UNC
C1*	4" SAE 3000 psi/M
C2*	4" SAE 3000 psi/UNC

* Flange C1/C2 mounted (see page 32)

Spare parts

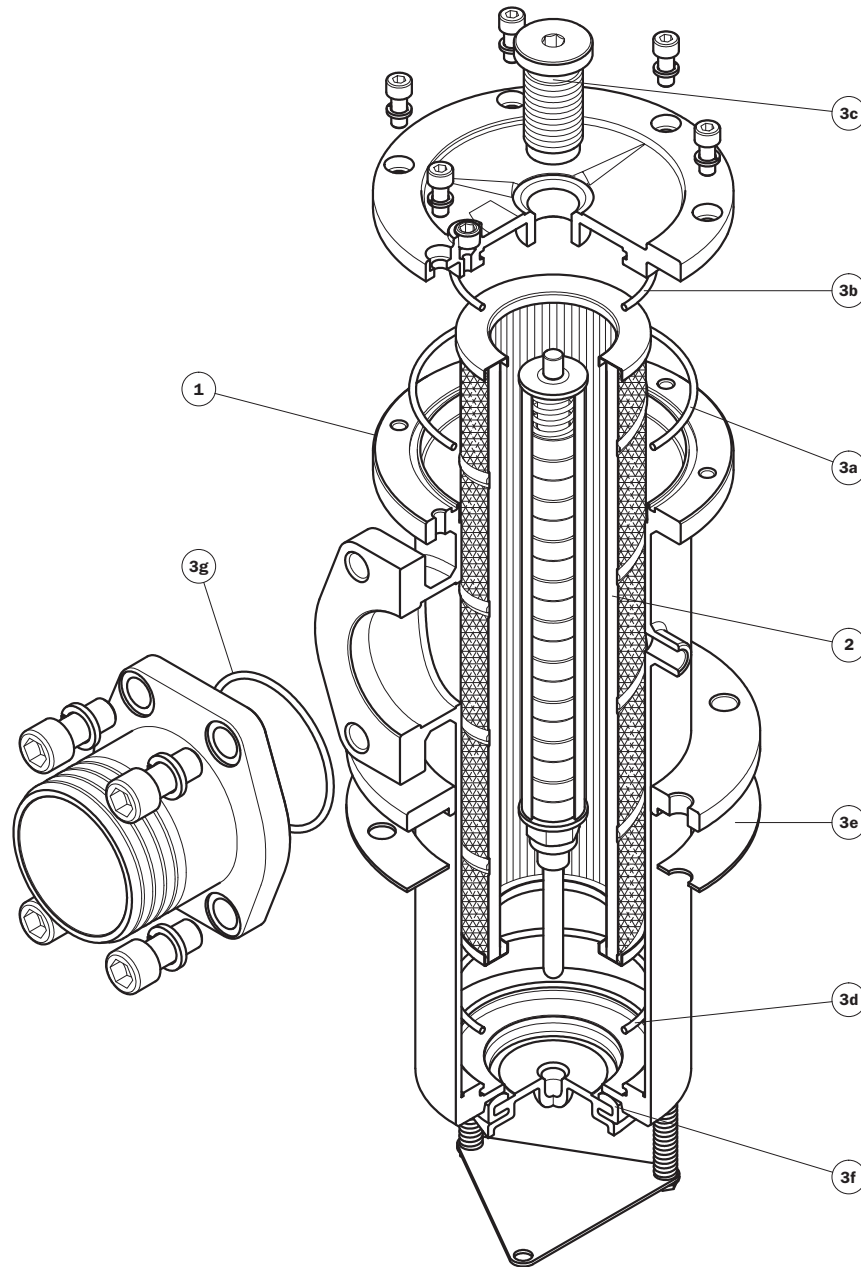


Item	Description	Q.ty	FILTER Series SF2 500		FILTER Series SF2 501	
			NBR	FPM	NBR	FPM
1	Filter assembly	1	See order table		See order table	
2	Filter element	1	See order table		See order table	
3	Seal Kit	1	02050141	02050142	02050143	02050144
3a	Cover/body seal	1	O-R 4537 Ø 136,10 x 3,53		O-R 4537 Ø 136,10 x 3,53	
3b	Cover/element seal	1	01026169	01026168	01026169	01026168
3c	Cover/rod radial seal	1	O-R 114 Ø 11,11 x 1,78		O-R 114 Ø 11,11 x 1,78	
3d	Cover/rod axial seal	1	O-R Metric Ø 12 x 3		O-R Metric Ø 12 x 3	
3e	Body seal	1	O-R 215 Ø 139,70 x 5,34		O-R 215 Ø 139,70 x 5,34	
3f	Valve seal	1	01026209	01026210	01026209	01026210
3g	Flange seal	1	O-R 4237 Ø 59,92 x 3,53		O-R 177 Ø 74,71 x 3,53	



Item	Description	Q.ty	FILTER Series SF2 503		FILTER Series SF2 504	
			NBR	FPM	NBR	FPM
1	Filter assembly	1	See order table		See order table	
2	Filter element	1	See order table		See order table	
3	Seal Kit	1	02050070	02050071	02050072	02050073
3a	Cover/body seal	1	O-R 4650 Ø 164,70 x 3,53		O-R 4750 Ø 190,10 x 3,53	
3b	Cover/element seal	1	01026631	01026632	01026190	01026193
3c	Cover/rod radial seal	1	O-R 114 Ø 11,11 x 1,78		O-R 114 Ø 11,11 x 1,78	
3e	Body seal	1	01026303	01026313	01026304	01026314
3f	Valve seal	1	01026213	01026218	01026214	01026219
3g	Flange seal	1	O-R 4325 Ø 82,14 x 3,53		O-R 4425 Ø 107,50 x 3,53	

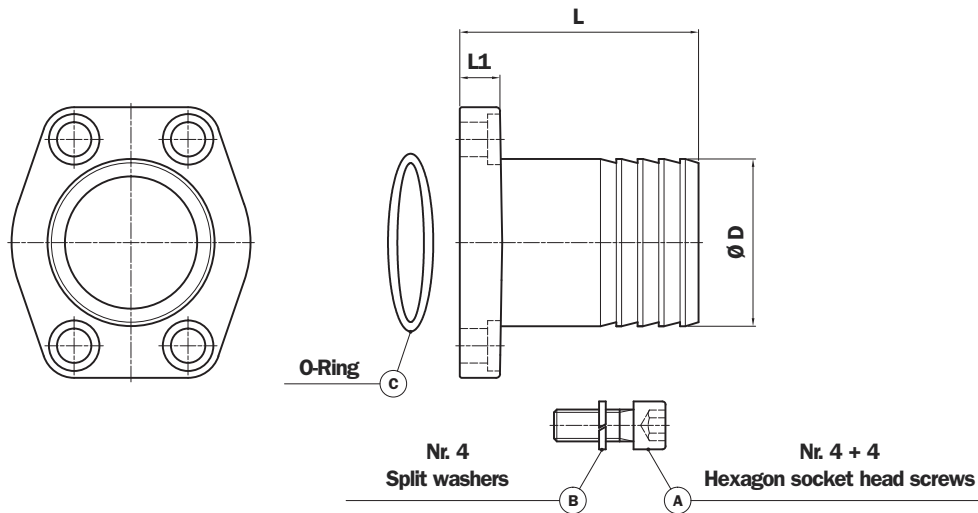
Spare parts



Item	Description	Q.ty	FILTER Series SF2 505		FILTER Series SF2 510		FILTER Series SF2 535		FILTER Series SF2 540	
			NBR	FPM	NBR	FPM	NBR	FPM	NBR	FPM
1	Filter assembly	1	See order table		See order table		See order table		See order table	
2	Filter element	1	See order table		See order table		See order table		See order table	
3	Seal Kit	1	02050043	02050044	02050045	02050046	02050051	02050052	02050053	02050054
3a	Cover/body seal	1	O-R 4475 Ø 120,20 x 3,53		O-R 4550 Ø 139,30 x 3,53		O-R 4550 Ø 139,30 x 3,53		O-R 4675 Ø 171 x 3,53	
3b	Cover/element seal	1	O-R 4362 Ø 91,67 x 3,53		O-R 4400 Ø 101,20 x 3,53		O-R 4400 Ø 101,20 x 3,53		O-R 4550 Ø 139,30 x 3,53	
3c	Cover/rod radial seal	1	O-R 4100 Ø 24,99 x 3,53		O-R 4100 Ø 24,99 x 3,53		O-R 4100 Ø 24,99 x 3,53		O-R 4100 Ø 24,99 x 3,53	
3d	Cover/rod axial seal	1	O-R 4362 Ø 91,67 x 3,53		O-R 4400 Ø 101,20 x 3,53		O-R 4400 Ø 101,20 x 3,53		O-R 213 Ø 136,50 x 5,34	
3e	Body seal	1	01026301	01026311	01026302	01026312	01026303	01026313	01026304	01026314
3f	Valve seal	1	01026201	01026205	01026202	01026206	01026202	01026206	01026203	01026207
3g	Flange seal	1	O-R 4237 Ø 59,92 x 3,53		O-R 177 Ø 74,61 x 3,53		O-R 4325 Ø 82,14 x 3,53		O-R 4425 Ø 107,50 x 3,53	

Lined area for notes with horizontal dotted lines.

Kit flange & Hose Barb C1



Flange Size	Flange description	Ø D	L	L1	A Screw	B Split washer	C O-Ring
A	2" SAE 3000 psi/M 2" SAE 3000 psi/UNC	63	90	15	M12 1/2" UNC	Ø 12	O-R 4237 Ø 59,92 x 3,53

Flange Size	Flange description	Ø D	L	L1	A Screw	B Split washer	C O-Ring
B	2 1/2" SAE 3000 psi/M 2 1/2" SAE 3000 psi/UNC	75	90	15	M12 1/2" UNC	Ø 12	O-R 177 Ø 74,71 x 3,53

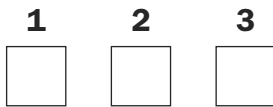
Flange Size	Flange description	Ø D	L	L1	A Screw	B Split washer	C O-Ring
C	3" SAE 3000 psi/M 3" SAE 3000 psi/UNC	89	95	19	M16 5/8" UNC	Ø 16	O-R 4325 Ø 82,14 x 3,53

Flange Size	Flange description	Ø D	L	L1	A Screw	B Split washer	C O-Ring
D	4" SAE 3000 psi/M 4" SAE 3000 psi/UNC	114	100	19	M16 5/8" UNC	Ø 16	O-R 4425 Ø 105,50 x 3,53

Ordering information

Hose Barb

C1



Example: C1

B A P01

1 - Flange size

A	2" SAE 3000 psi
B	2 1/2" SAE 3000 psi
C	3" SAE 3000 psi
D	4" SAE 3000 psi

2 - Seals

A	NBR
V	FPM

3 - Option

P01	MP Filtri standard
------------	--------------------

Ordering information SF2 500

Filter assembly SF2

	1	2	3	4	5	7
	<input type="checkbox"/>	<input type="checkbox"/>	<input type="checkbox"/>	<input type="checkbox"/>	<input type="checkbox"/>	<input type="checkbox"/>
Example: SF2	500	A	F1	S	M90	P01

Filter element SF

	1	5	6	7
	<input type="checkbox"/>	<input type="checkbox"/>	<input type="checkbox"/>	<input type="checkbox"/>
Example: SF	510	M90		P01

1 - Style

Filter	Filter element
500	510
501	510
503	503
504	504
505	505
510	510
535	535
540	540

2 - Filter seals & Treatment

A	NBR
V	FPM
W	NBR, Filter body anodized. Filter element compatible with fluid HFA, HFB, HFC (only for filter element type Mxx)
Z	FPM, Filter body anodized. Filter element compatible with fluid HFA, HFB, HFC (only for filter element type Mxx)

3 - Connections

SF2 500 - 505

Type	A
F1	2" SAE 3000 psi/M
F2	2" SAE 3000 psi/UNC
C1*	Hose barb/M
C2*	Hose barb/UNC

SF2 501 - 510

Type	A
F1	2 1/2" SAE 3000 psi/M
F2	2 1/2" SAE 3000 psi/UNC
C1*	Hose barb/M
C2*	Hose barb/UNC

SF2 503 - 535

Type	A
F1	3" SAE 3000 psi/M
F2	3" SAE 3000 psi/UNC
C1*	Hose barb/M
C2*	Hose barb/UNC

SF2 504 - 540

Type	A
F1	4" SAE 3000 psi/M
F2	4" SAE 3000 psi/UNC
C1*	Hose barb/M
C2*	Hose barb/UNC

* Flange C1/C2 mounted.

4 - Option

S	Without microswitch - without handwheel
C	With microswitch - without handwheel (505 - 510 - 535 - 540)
D	With microswitch - with Nylon handwheel (500 - 501 - 503 - 504)
K	With microswitch - with Steel handwheel (500 - 501 - 503 - 504)
M	Without microswitch - with Nylon handwheel (500 - 501 - 503 - 504)

5 - Filter element

M25	Wire mesh 25 µm	Nominal Filtration
M60	Wire mesh 60 µm	
M90	Wire mesh 90 µm	
M250	Wire mesh 250 µm	
P10	Resin - Impregnated paper	Nominal Filtration
P25	Resin - Impregnated paper	

6 - Filter element compatibility

<input type="checkbox"/>	Omit for standard versions
W	Compatible with fluid HFA, HFB, HFC (only for filter element type wire mesh)

7 - Option

P01	MP Filtri standard
------------	--------------------

For Clogging Indicator:
See page 324

MP Filtri - The filter functions as described in this bulletin are valid exclusively for original MP Filtri filter elements and replacement parts. All rights reserved.

The data in this publication are purely guideline. MP Filtri reserves the right to make changes to the models described herein at any time it deems fit in relation to technical or commercial requirements. The colours of the products shown on the cover are purely guideline. Copyright. All rights reserved.