

Receiver

 Society
 Reference
 Address
 Phone
 Fax
 E-mail

From

 Profil LTD
 Karadzhev, Angel
 6th km, Pazardzhishko shose
 -
 -
 angel.karajov@prof.ilbg.com

Item n° :

60122698

Model :

BOOSTER SILENT 4 M

Pump data

Pressure rating :

Min. fluid temperature : 0 °C

Max. fluid temperature : 40 °C

Max. Ambient temperature :

Requested data

Flow : 0,00 m³/h

Head : 0,00 m

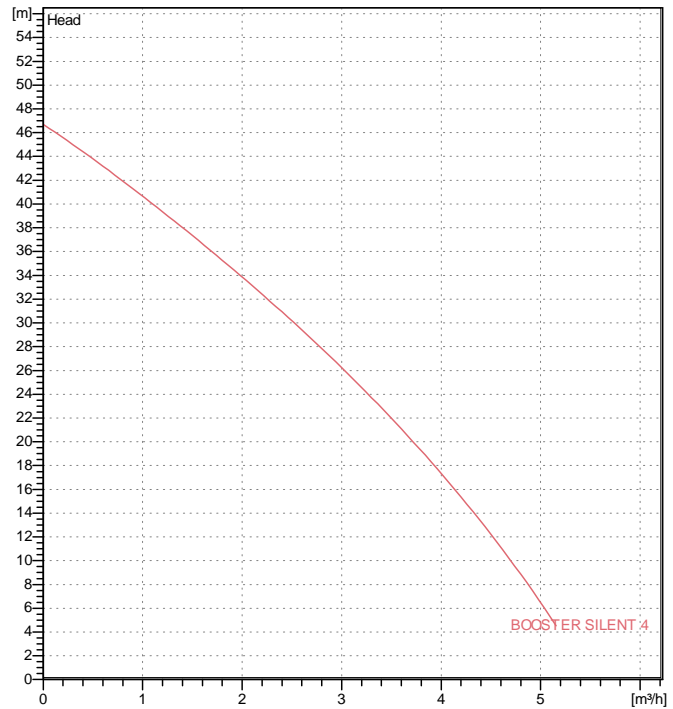
Fluid : Water

Fluid Temperature : 20 °C

Density : 0,99819 kg/dm³

Kinematic viscosity : 1,0004 mm²/s

Vapor pressure : 2,20 kPa

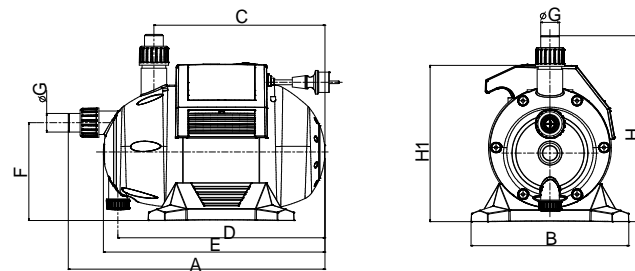
Curve tolerance according to ISO 9906

Hydraulic data (duty point)

Flow :

Head :

Materials

Pump body	Technopolymer
Impeller	Technopolymer
Motor shaft	AISI 416 X12 CrS 13 UNI EN 10088-1
OR ring	NBR
Diffuser	Technopolymer
Mechanical seal	Carbon/Ceramic
Counterface	STEA/NBR


Motor data

Motor brand : DAB

Nominal power P2 : 0,75 kW

Rated speed : 2800 1/min

Rated voltage : 1~ 230 V

50 Hz

Nominal current : 4,7 A

Degree of protection : IP X4

Weight : 11 kg

Dimensions in
mm

A	455	E	395	H1	280		
B	280	F	175				
C	305	G	33				
D	370	H	330				

Pump connection

Suction side : /

Discharge side : /



PERFORMANCE CURVES

2017-08-04

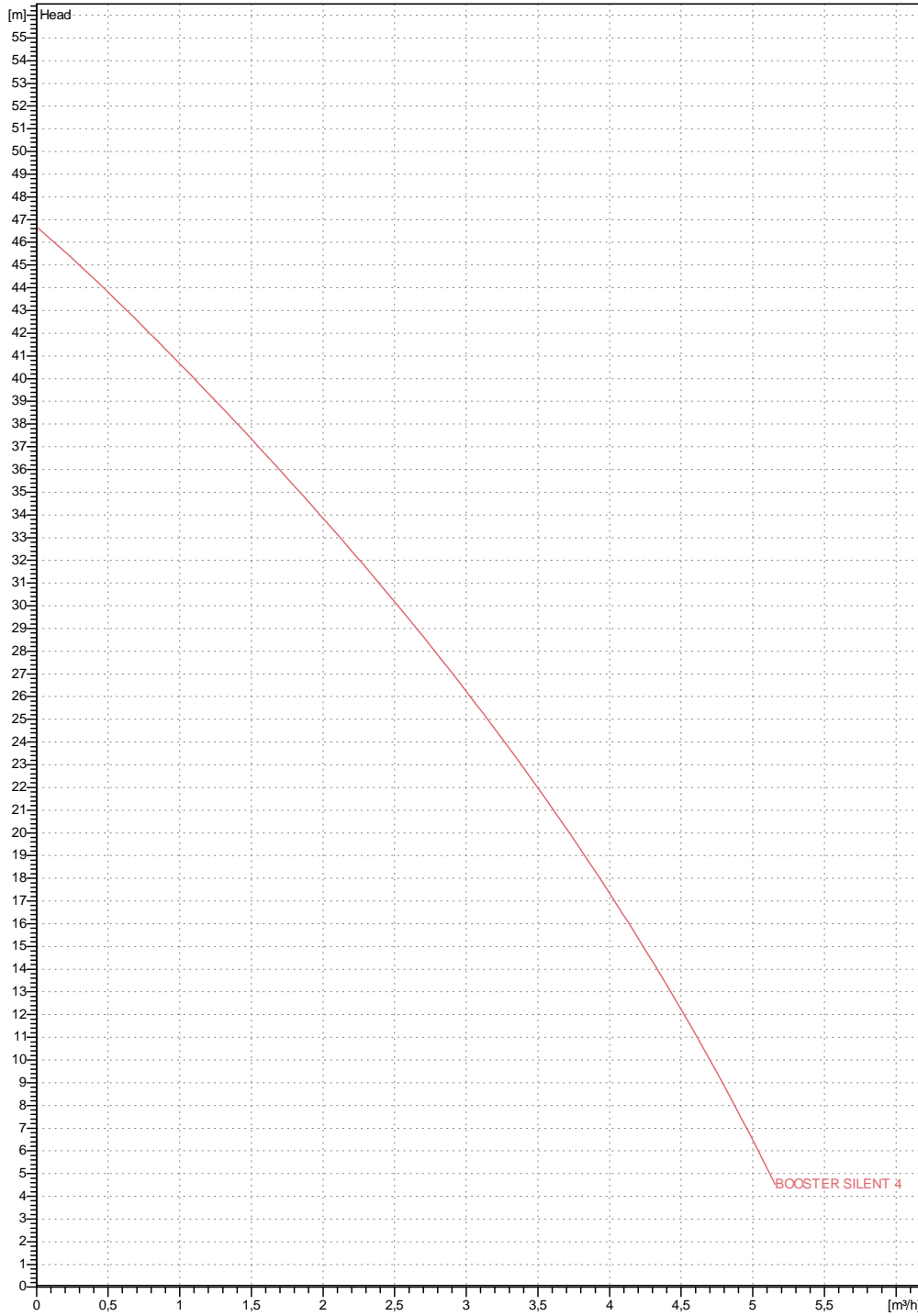
Page 2 / 3

DAB PUMPS S.p.A.
Via Marco Polo, 14 - 35035 Mestrino (PD), Italy
Tel. +39 049 5125000 - Fax +39 049 5125950
www.dabpumps.com

Society Reference Address Phone Fax E-mail	Receiver	From
		Profil LTD Karadzhev , Angel 6th km, Pazardzhishko shose - - angel.karajov @profilbg.com

BOOSTER SILENT 4 M

Curve tolerance according to ISO 9906



Hydraulic data (duty point)

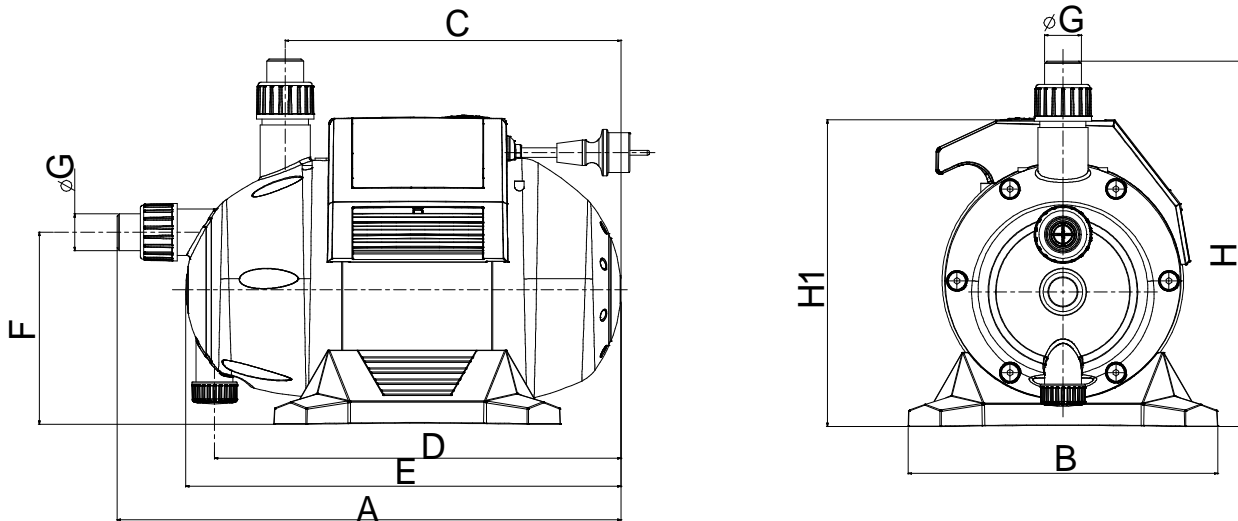
Suction side :	Discharge side :	Flow : 0 m³/h	Head : 0 m	Rated speed : 2800 1/min
Project	Project ID	Created by	Created on 2017-08-04	

Receiver
From

 Society
 Reference
 Address
 Phone
 Fax
 E-mail

 Profil LTD
 Karadzhev, Angel
 6th km, Pazardzhishko shose
 -
 -
 angel.karajov@profilbg.com

BOOSTER SILENT 4 M


Dimensions in mm

1	A	455				
2	B	280				
3	C	305				
4	D	370				
5	E	395				
6	F	175				
7	G	33				
8	H	330				
9	H1	280				

Pump connection

Suction

Discharge

Project

Project ID

Created by

Created on

2017-08-04