



FLUX

Centrifugal duct fans with axial flow discharge



PERFORMANCES

MODELS	DUCT Ø	m³/h	l/s	Pa	W	dB (A)*
Standard - Timer - HT						
FLUX 100	100	90	25	124	30	44
2V - HT 2V						
FLUX 100 2V	100	90 / 38	25/10	124 / 78	30 / 12	44/37
Selv - Selv Timer						
FLUX 100 SELV	100	90	25	124	26	44
Standard - Timer - HT						
FLUX 250 / Ø 100	100	201	56	195	29	52
FLUX 250 / Ø 120	120	232	64	195	29	52

* Lp(A) measured at 3m in open field 230V-50Hz.

VERSIONS

- STANDARD** - On/off through light or remote control switch.
- PULL CORD** - On/off through pull cord switch.
- TIMER** - Integral electronic timer adjustable from 3 to 25 minutes.
- MHT** - Humidity control, adjustable from 40 to 80% of R.H.
- 2 SPEED** - 24 hours running at the lowest speed.



Comply with ErP Directive 2009/125/CE and EU Regulation 1253/2014 (Classification: Residential Ventilation Unit)

- Centrifugal duct fans with central outlet
- 2 models: 100 and 250, Ø 100 and 120 mm
- IMQ mark on Flux 100 (all versions)



Antivibration gasket

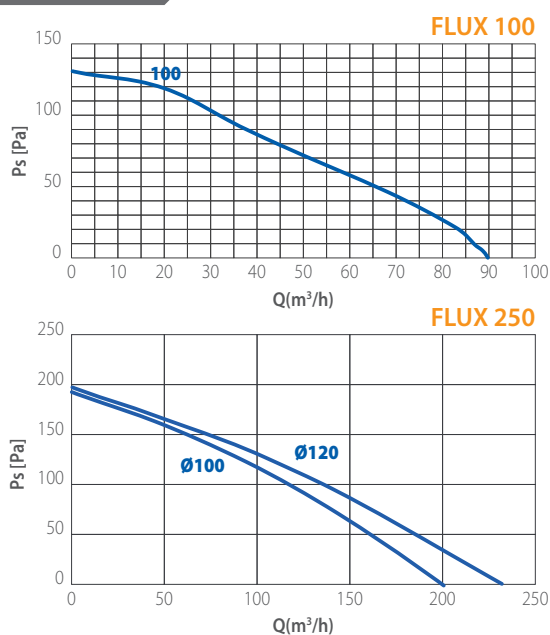


Backdraught shutter

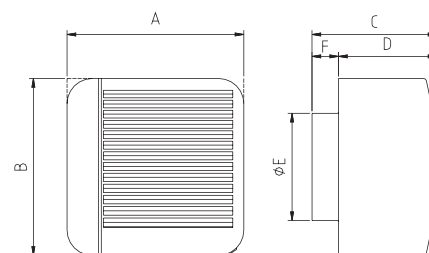


Central outlet

CURVES

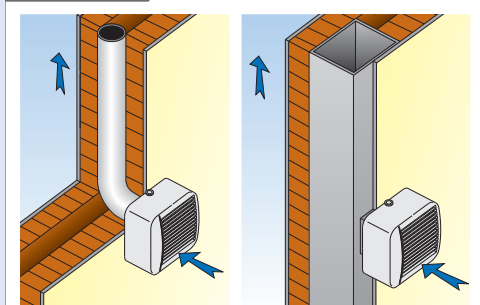


DIMENSIONS (mm)



MODELS	A	B	C	D	ØE	F	Kg.
FLUX 100	160	160	119	89	97	30	0,8
FLUX 250/100	210	210	156	131	97	25	1,8
FLUX 250/120	210	210	156	131	119	25	1,8

INSTALLATION



SINGLE DUCT

MULTIPLE DUCT