

# EB EX-ATEX



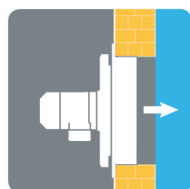
## EB EX-ATEX

Explosion Proof Certified Axial fans to extract air and fumes directly outside through short ducting, wall or panel mounting, in compliance with ATEX Directive 84/9/EEC effective from July 1st 2003 in EU.

- Suitable for applications in commercial and industrial environments where the risk of explosion is high and where the surrounding atmosphere contains gas, vapours or highly inflammable steam;
- The whole product and not just the electrical parts, has been certified by CESI Institute with CESI n°3 ATEX 251 certificate;
- Fan group II, cat. 2 for gases, construction safety C, max surface temp. T4 (135°C);
- Classified for zones 1 and 2;
- This approval has required specific safety tests and proper examinations on products to verify how the adopted solutions have satisfied the essential Directive requirements;
- Steel plated body protected by an epoxy-based anti-corrosive paint;
- Impeller made of VO reinforced conductive nylon;
- Exd-II B - T4, ball bearing class F insulation motor IP55 protected;
- Max temperature of extracted air: 40°C;
- Reversibility: all models;
- Reference Standards: EN 13463-1; EN 13463-5; EN 14986

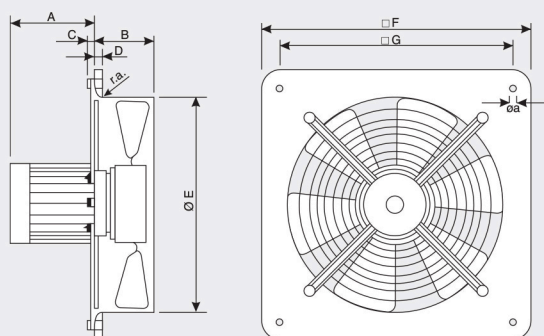
[Accessories page 90](#)

POSITION



WALL MOUNTING

## DIMENSIONS

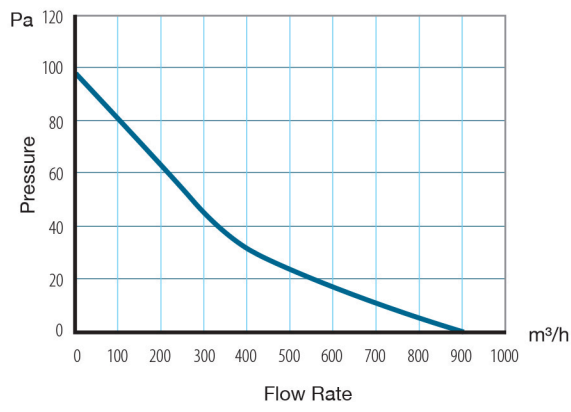


Model	A	B	C	D	E	F	G	r.a.	Øa
<b>EB 25 Ex-ATEX</b>	190	66	9	8	260	340	325	15	8,3
<b>EB 30 Ex-ATEX</b>	190	75	9	10	312	390	375	15	8,3
<b>EB 35 Ex-ATEX</b>	190	85	10	12	365	460	439	15	12,3
<b>EB 40 Ex-ATEX</b>	190	85	10	12	415	510	490	15	12,3
<b>EB 50 Ex-ATEX</b>	190	101	10	15	515	630	610	15	12,3

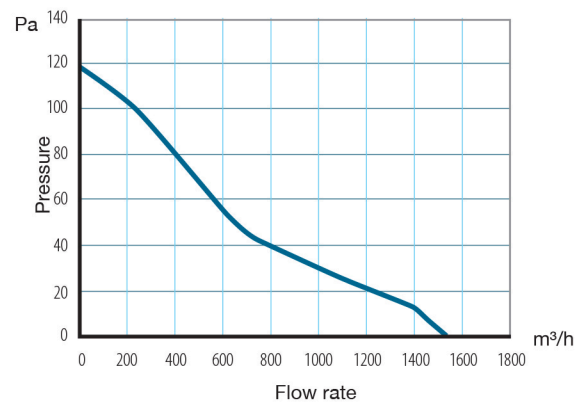
## TECHNICAL DATA

Model	Code	Marking	Motor	N° poles	Voltage at 50 Hz	Max flow rate m³/h	Max Press		Rated power W	Nom. curr. in A		dB(A) 2m	RPM	Kg
							mm H <sub>2</sub> O	Pa		230 V	400 V			
<b>EB 25 4M Ex-ATEX</b>	0035400	II 2G c T4	Single-phase	4	230	900	10	98	120	0,7	-	55	1460	10,0
<b>EB 30 4M Ex-ATEX</b>	0035500	II 2G c T4	Single-phase	4	230	1500	8,3	81	140	0,75	-	59	1400	10,0
<b>EB 35 4M Ex-ATEX</b>	0035600	II 2G c T4	Single-phase	4	230	2250	10	98	160	0,8	-	62	1350	11,0
<b>EB 40 4M Ex-ATEX</b>	0035000	II 2G c T4	Single-phase	4	230	2900	9	88	180	0,85	-	65	1290	12,0
<b>EB 50 4M Ex-ATEX</b>	0035100	II 2G c T4	Single-phase	4	230	4500	14	137	210	1	-	70	1200	14,0
<b>EB 25 4T Ex-ATEX</b>	0035700	II 2G c T4	Three-phase	4	230/400	900	10	98	100	0,67	0,39	55	1460	9,0
<b>EB 30 4T Ex-ATEX</b>	0035900	II 2G c T4	Three-phase	4	230/400	1500	8,3	81	125	0,69	0,40	59	1430	9,0
<b>EB 35 4T Ex-ATEX</b>	0036000	II 2G c T4	Three-phase	4	230/400	2250	10	98	150	0,72	0,42	63	1400	10,0
<b>EB 40 4T Ex-ATEX</b>	0036100	II 2G c T4	Three-phase	4	230/400	2900	9	88	180	0,74	0,43	66	1350	11,0
<b>EB 50 4T Ex-ATEX</b>	0036200	II 2G c T4	Three-phase	4	230/400	4500	14	137	230	0,78	0,45	72	1270	13,0

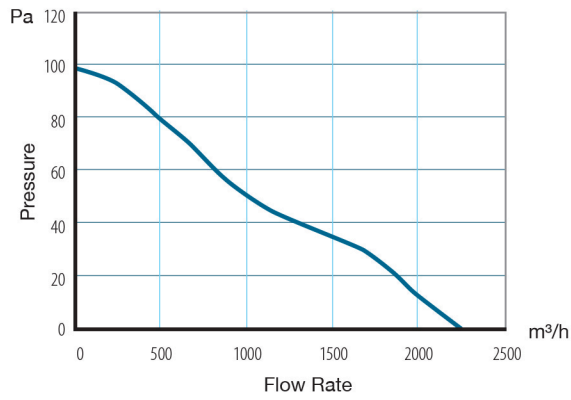
■ EB 25 4M-T EX-ATEX



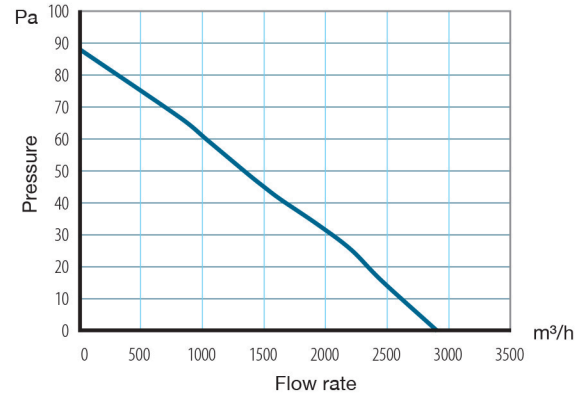
■ EB 30 4M-T EX-ATEX



■ EB 35 4M-T EX-ATEX



■ EB 40 4M-T EX-ATEX



■ EB 50 4M-T EX-ATEX

