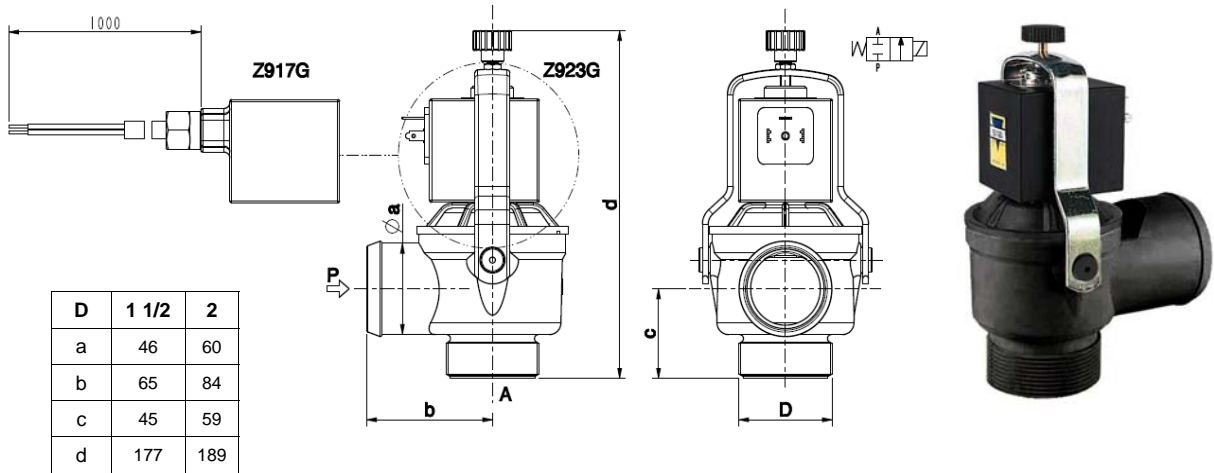




SOLENOID VALVE - DRY
2/2 - NC (Normally closed)
Direct acting - Total isolation
G 1 ½ - 2

D137



► **GENERAL FEATURES**

Direct acting, total isolation solenoid valve: the actuator is totally isolated from the fluid so that the wetted parts are just the body and the bellow plug.

Possibility of disassembling for inspection.

Particularly suitable for fast drain of tanks.

Suitable to shut off liquid and gaseous fluids (verify the compatibility of fluid with materials in contact).

► **TECHNICAL FEATURES**

Maximum allowable pressure (PS)	0,3 bar
Opening time	~400ms
Closing time	~400ms
Fluid temperature	-10°C +90°C (NBR) 0°C +130°C (FPM) 0°C +130°C (EPDM)
Max viscosity	5°E (~37 cStokes or mm ² /s)

► **MATERIALS IN CONTACT WITH FLUID**

Body	PPS (Polyphenilsulfure).
Sealing	NBR or FPM or EPDM

► **COIL**

Discontinuous duty

Encapsulation material

Coil insulation class

Ambient temperature

Electric connections

Protection degree

Voltages AC

	Z923G	Z917G
Discontinuous duty	ED 60% with max cycle time 40min.	
Encapsulation material	PPS (Polyphenilsulfure) fiberglass reinforced	PBT fiberglass reinforced
Coil insulation class	H (165°C)	F (140°C)
Ambient temperature	-10°C +80°C	-10°C +60°C
Electric connections	DIN 46340 – 3 poles connectors (EN175301-803)	Cable with 3 wires x 1mm ² molded in XLPO Length 1000 mm
Protection degree	IP 65 (EN 60529) with plug connector	IP 67 (EN 60529)
Voltages AC	24V/50Hz - 110V/50Hz (120V/60Hz) - 230V/50Hz (+10% -15%)	

(Other voltages and frequencies on request)

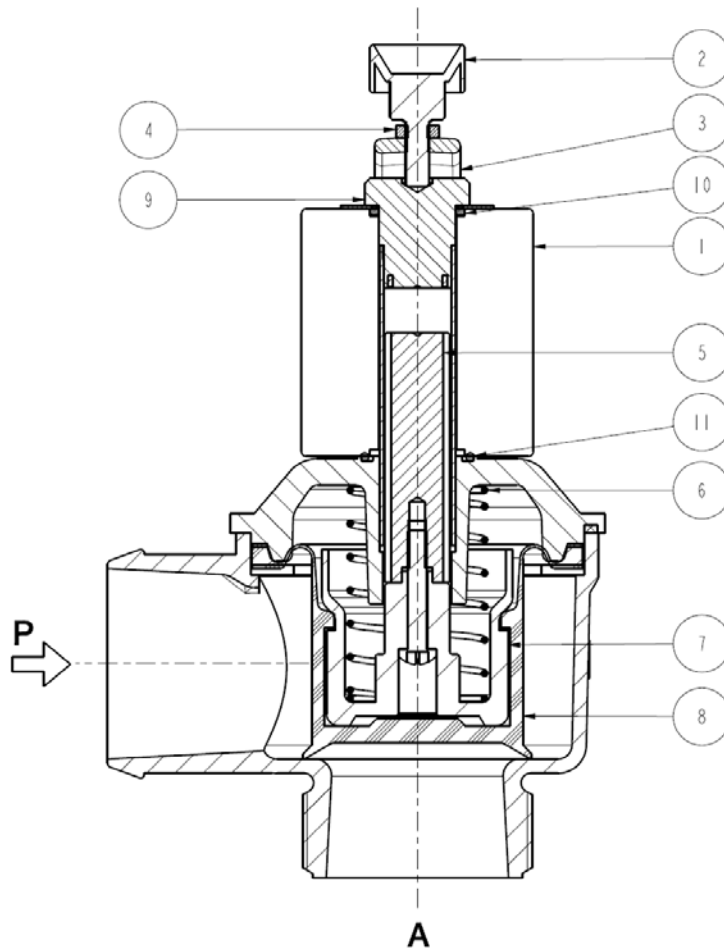
Port size ISO 228	Orifice size (mm)	Differential pressure (bar)				Kv (m ³ /h)	Series and type		Power absorption			Sealings	Notes	Weight (kg)									
		Δp min	Δp max				Valve	Coil	AC (VA)		DC (W)												
			Gases		Liquids				Inrush	Holding													
			AC	DC	AC										DC								
G 1 ½	36	0	0,15	-	0,15	-	20	D137B08	150	46	-	NBR	-	0,980									
G 2	43													1,040									
G 1 ½	36													20	34	D137V08	Z923G Z917G	150	46	-	FPM	-	0,980
G 2	43																						1,040
G 1 ½	36																						20
G 2	43													1,040									

► **NOTES**

- Sealings : NBR = Nitrile-butylene elastomer FPM = Fluoro-carbon elastomer EPDM = Ethylene-propylene elastomer
 The Δp max, indicated in the table, has to be understood with zero pressure downstream the valve.

D137

► SPARE PARTS



Kit description	Kit P.N.	Consisting of:
Clamp kit	G3143701	Clamp pos. 3 Screw pos. 2 Nut pos. 4
Plunger return spring kit	G2237301	N° 10 Plunger return springs pos.6
OR kit for coil	G3147101	Upper OR pos. 10 Lower OR pos. 11
Core kit	2254301R	Core pos. 5 Bellow plug stiffener pos. 7
Bellow plug	D137B08 D137V08 D137D08	Bellow plug pos. 8
Guide assembly	294079-001R	Guide assembly pos. 9
Coil	Z923G Z917G	Coil pos. 1

► INSTALLATION

- Solenoid valve must be mounted vertical, with coil upwards.
- In case of disassembling for usual maintenance or for coil replacing, the screw (pos.2) has to be tightened at 1,5 Nm torque.

THE VALIDITY OF REPORTED DATA IS REFERRED TO THE DATE OF ISSUE. POSSIBLE UPDATES ARE AVAILABLE ON REQUEST.