

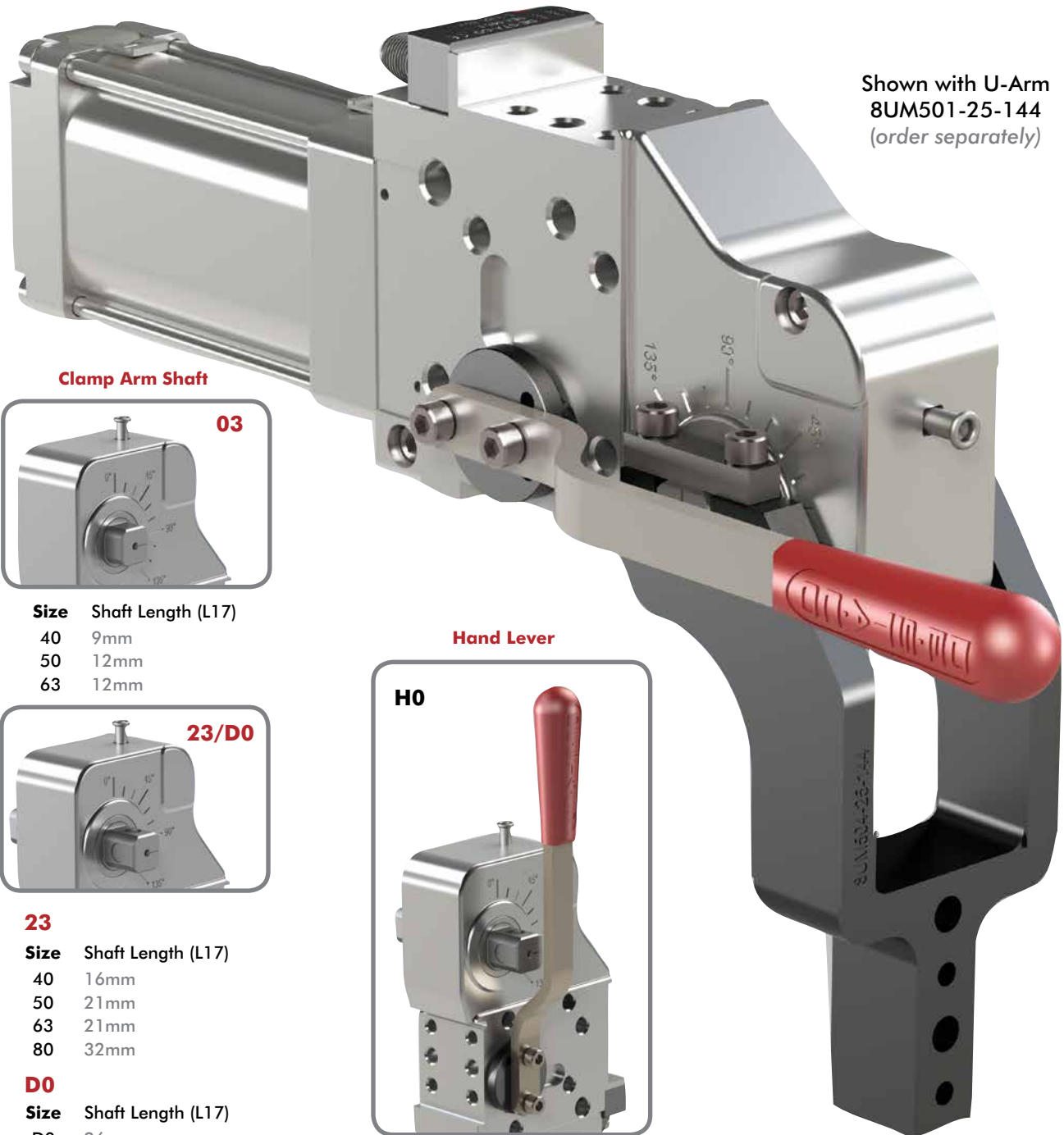
82M-3E SERIES

Pneumatic Power Clamps | Ordering Information

82M-3 **E** **23** **H0** **50** **L8**

| Base Model | Mounting | Description | Clamp Arm Shaft | Description | Handle | Description |
|------------|----------|----------------------|-----------------|---------------------------------|-----------|---------------|
| | E | Standard | 03 | for U-Arms | 00 | No Hand lever |
| | N | NAAMS (Size 63 only) | 23 | for Lateral Arms | H0 | Hand Lever |
| | | | D0 | for Lateral Arms (size 63 only) | | |

See below for further details



Clamp Arm Shaft



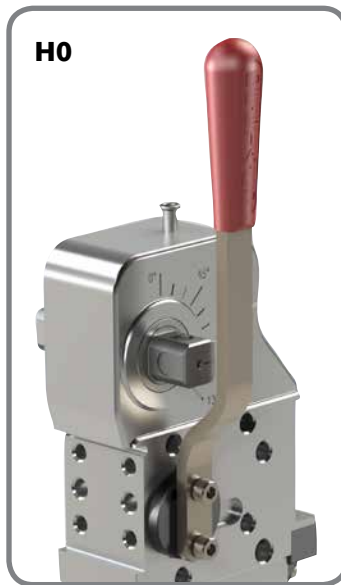
| Size | Shaft Length (L17) |
|------|--------------------|
| 40 | 9mm |
| 50 | 12mm |
| 63 | 12mm |



| Size | Shaft Length (L17) |
|------|--------------------|
| 40 | 16mm |
| 50 | 21mm |
| 63 | 21mm |
| 80 | 32mm |

| Size | Shaft Length (L17) |
|------|--------------------|
| D0 | 26mm |

Hand Lever



82M-3E SERIES

Pneumatic Power Clamps | Ordering Information

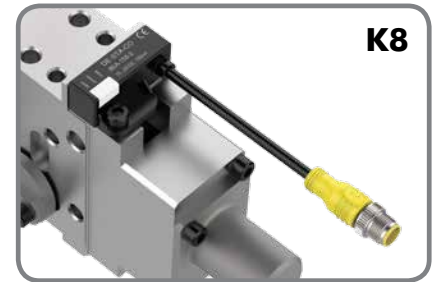
| Sensor | Description |
|-----------|--|
| 00 | No sensor |
| L8 | Sensor with In-line Connector (Replacement Order No.: 8EA-146-4) |
| L9 | Sensor with 90 deg Connection (Replacement Order No.: 8EA-147-4) |
| K8 | Sensor with Cable Connection (Replacement Order No.: 8EA-158-4) |



L8



L9



K8

| Size | Description |
|-----------|-------------------------------------|
| 40 | 40mm Cylinder Bore Size with G Port |
| 50 | 50mm Cylinder Bore Size with G Port |
| 5N | 50mm Cylinder Bore Size with NPT |
| 63 | 63mm Cylinder Bore Size with G Port |
| 6N | 63mm Cylinder Bore Size with NPT |
| 80 | 80mm Cylinder Bore Size with G Port |
| 8N | 80mm Cylinder Bore Size with NPT |



40

Max Holding Torque
380 Nm
Max Clamping Torque
120 Nm at 5bar



50

Max Holding Torque
1300 Nm
Max Clamping Torque
270 Nm at 5bar



63

Max Holding Torque
1800 Nm
Max Clamping Torque
420 Nm at 5bar



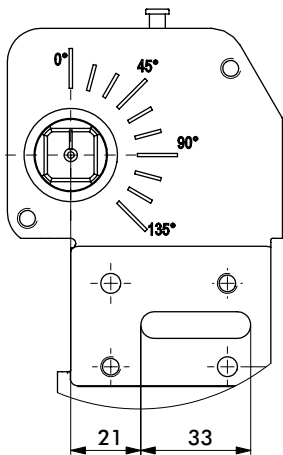
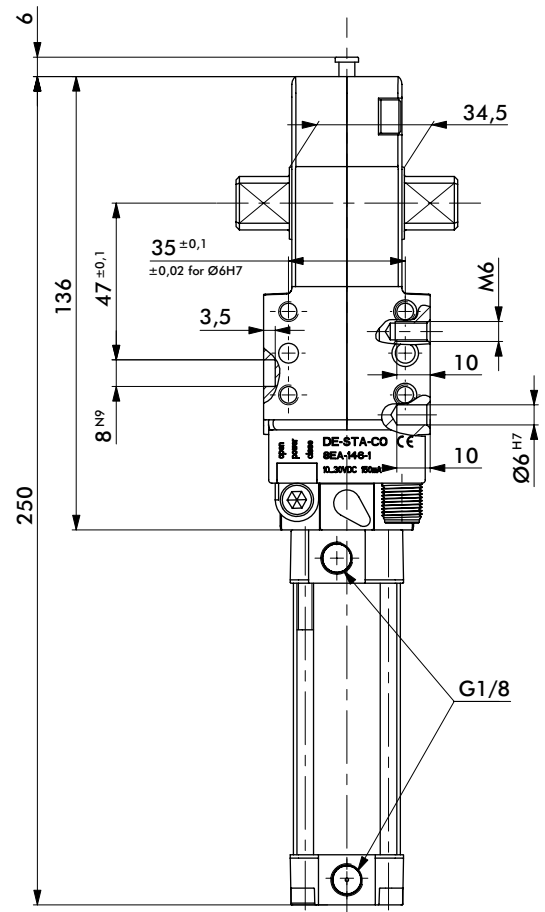
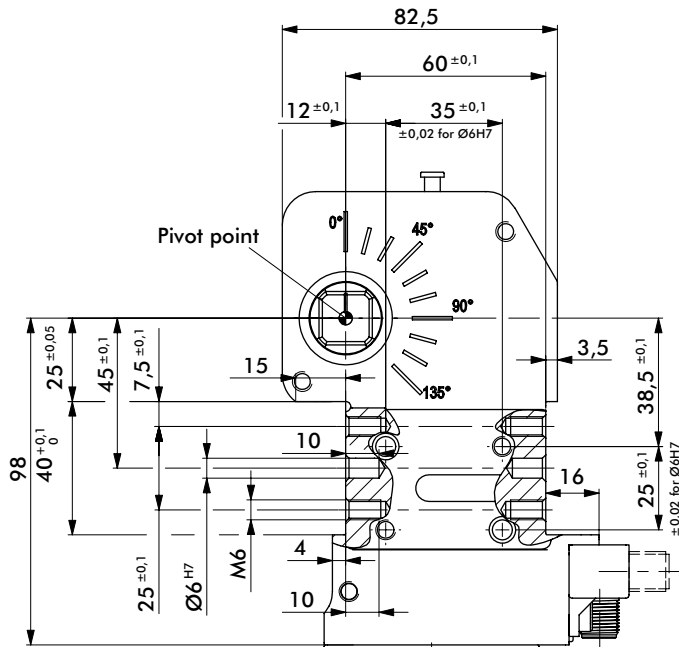
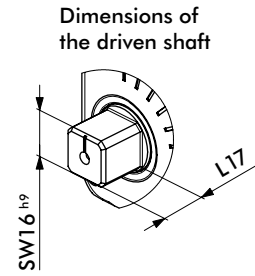
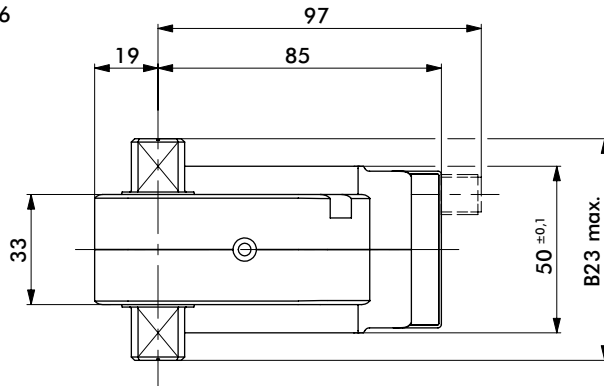
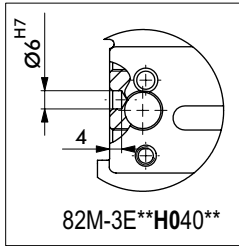
80

Max Holding Torque
3000 Nm
Max Clamping Torque
850 Nm at 5bar

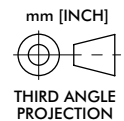
82M-3E...40 SERIES

Pneumatic Power Clamps | Dimensions

| Model | B23 Max. | L17 |
|----------------|----------|-----|
| 82M-3E03..40.. | 54,5 | 9 |
| 82M-3E23..40.. | 66,5 | 16 |



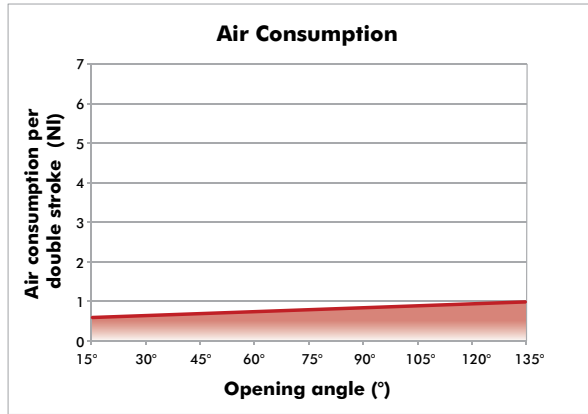
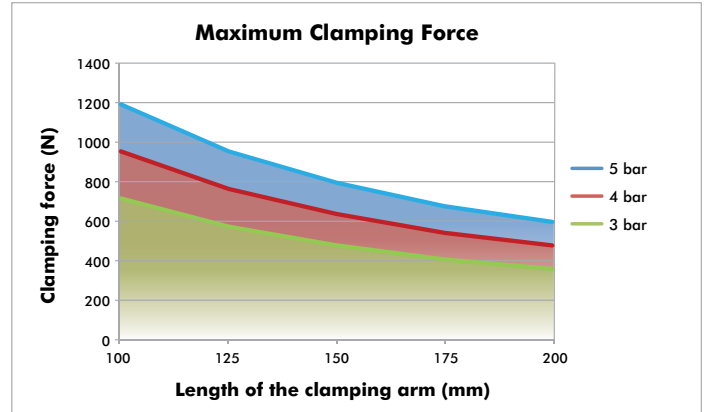
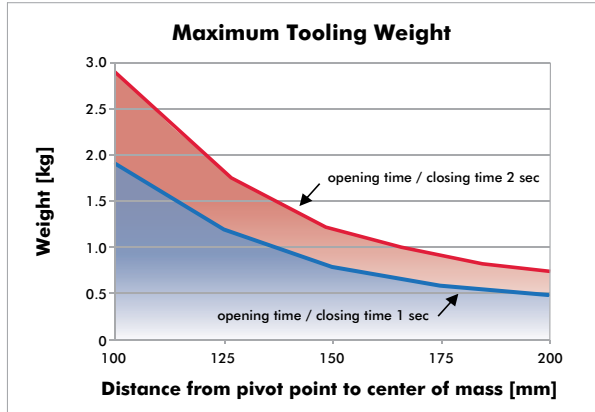
Power by compressed air, max. 6 bar operation with oil-free air is permissible.
The connector socket and the cable are not supplied with the unit.



82M-3E....40 SERIES

Pneumatic Power Clamps | Technical Specifications

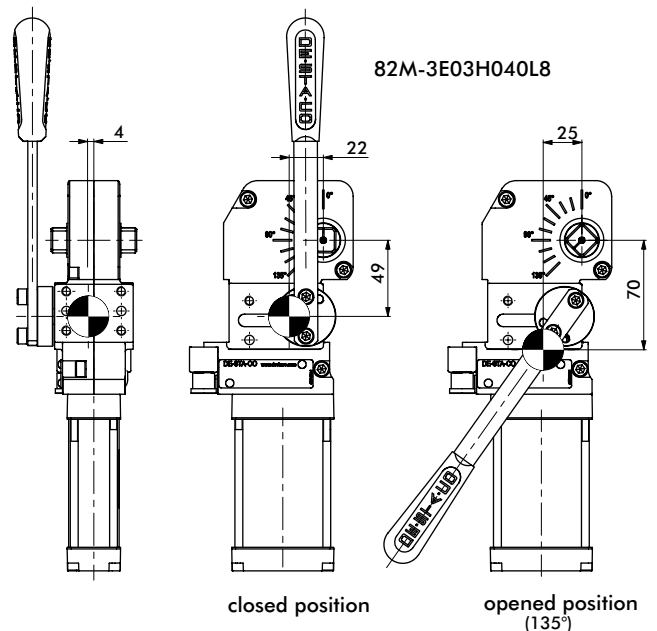
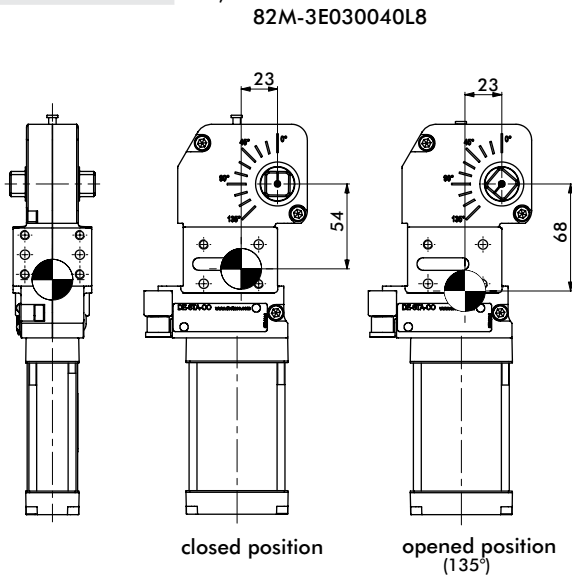
| Model | Max. Holding Torque (Nm) | Clamping Torque at 5 bar (Nm) | Cylinder Ø (mm) | Weight (kg) | Air Consumption per double stroke at 5 bar (liter) |
|----------------|--------------------------|-------------------------------|-----------------|-------------|--|
| 82M-3E....40.. | 380 | 120 | 40 | 1,5 | 0,9 |



ATTENTION:
Calculation tool available. Please consult factory.

Center of Mass

| Model | Weight (kg) |
|----------------|-------------|
| 82M-3E030040L. | 1,5 |
| 82M-3E03H040L. | 1,6 |

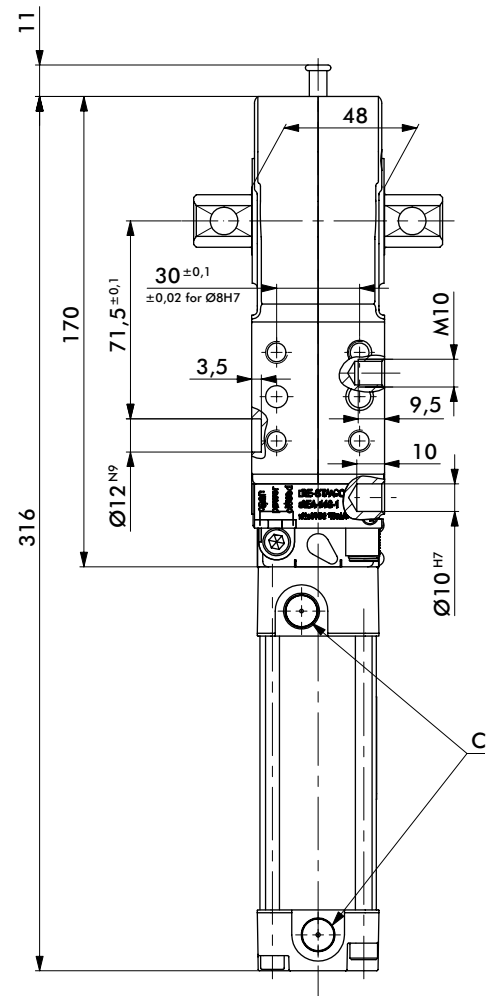
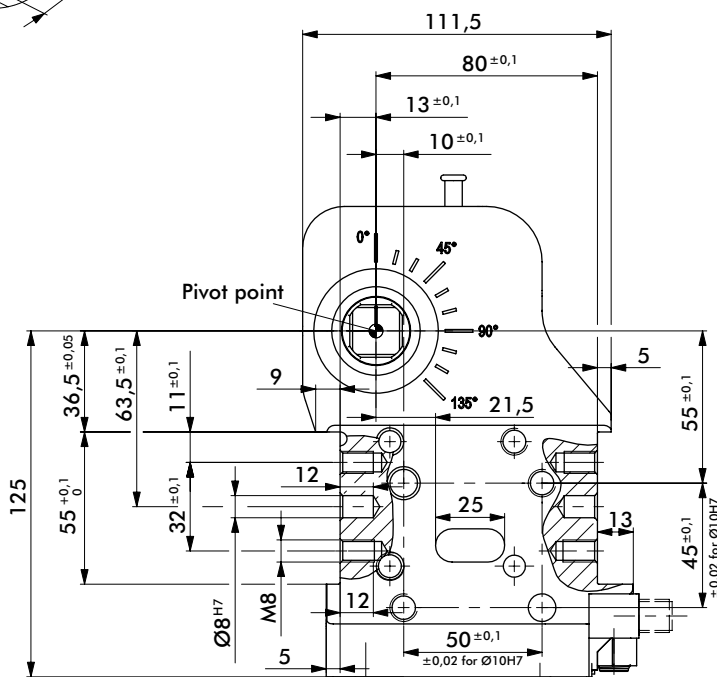
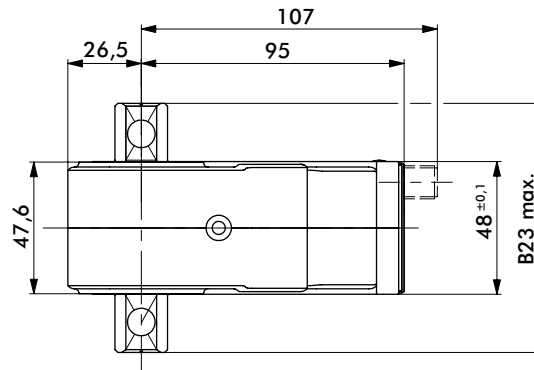
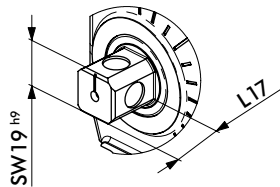


82M-3E...5. SERIES

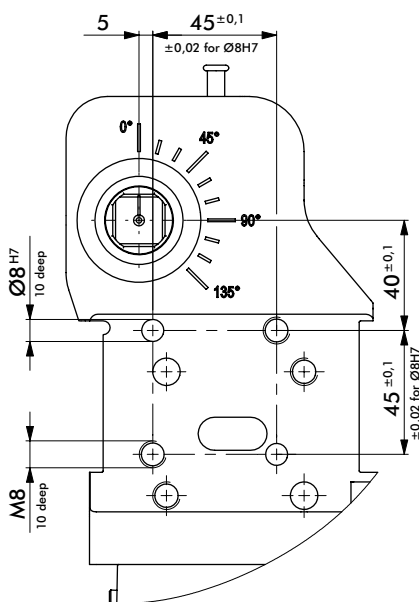
Pneumatic Power Clamps | Dimensions

| Model | B23 Max. | L17 |
|----------------|-------------|-----|
| 82M-3E03..5... | 72 | 12 |
| 82M-3E23..5... | 90 | 21 |

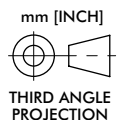
Dimensions of
the driven shaft



Important !
For optimal cushioning external pneumatic one-way, flow control valves should be used.



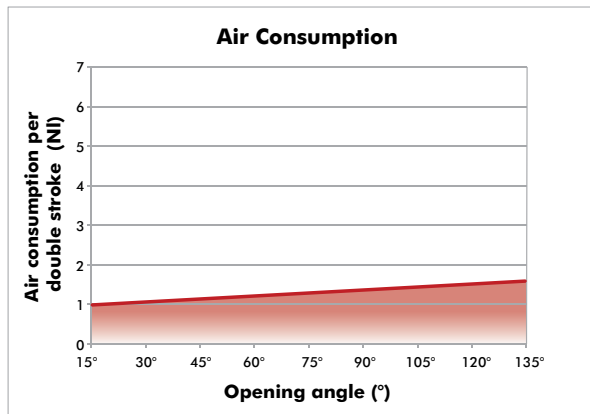
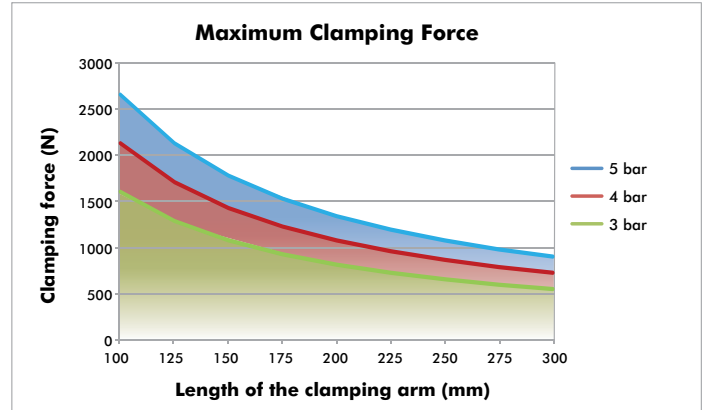
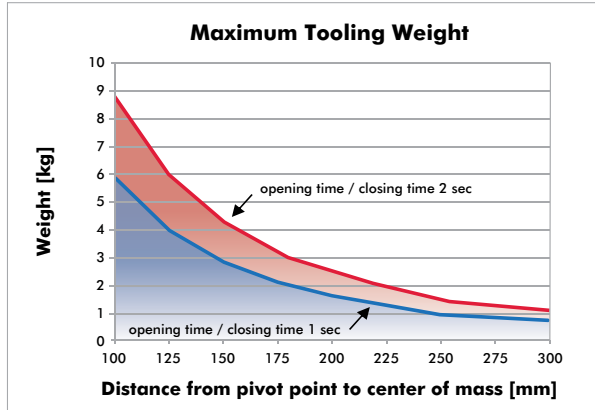
Power by compressed air, max. 6 bar operation with oil-free air is permissible.
The connector socket and the cable are not supplied with the unit.



82M-3E....5. SERIES

Pneumatic Power Clamps | Technical Specifications

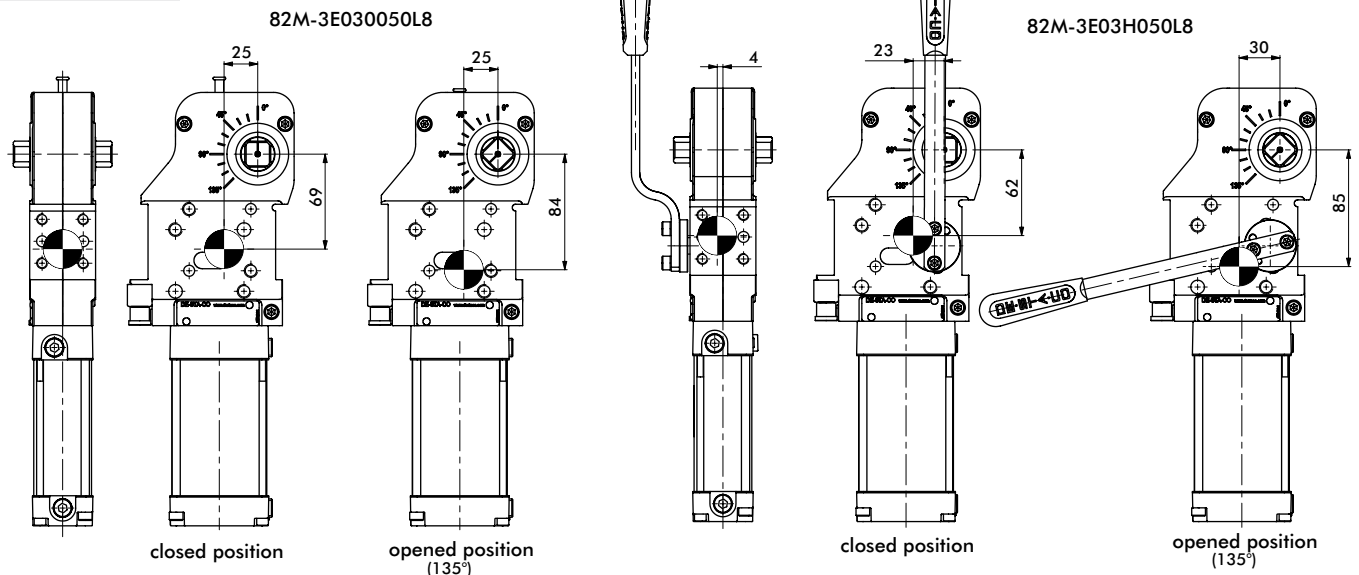
| Model | Connection (C) | Max. Holding Torque (Nm) | Clamping Torque at 5 bar (Nm) | Cylinder Ø (mm) | Weight (kg) | Air Consumption per double stroke at 5 bar (liter) |
|----------------|----------------|--------------------------|-------------------------------|-----------------|-------------|--|
| 82M-3E....50.. | G 1/4 | 1300 | 270 | 50 | 2,8 | 1,6 |
| 82M-3E....5N.. | 1/4-18 NPT | | | | | |



ATTENTION:
Calculation tool available. Please consult factory.

Center of Mass

| Model | Weight (kg) |
|----------------|-------------|
| 82M-3E030050L. | 2,8 |
| 82M-3E03H050L. | 3,1 |

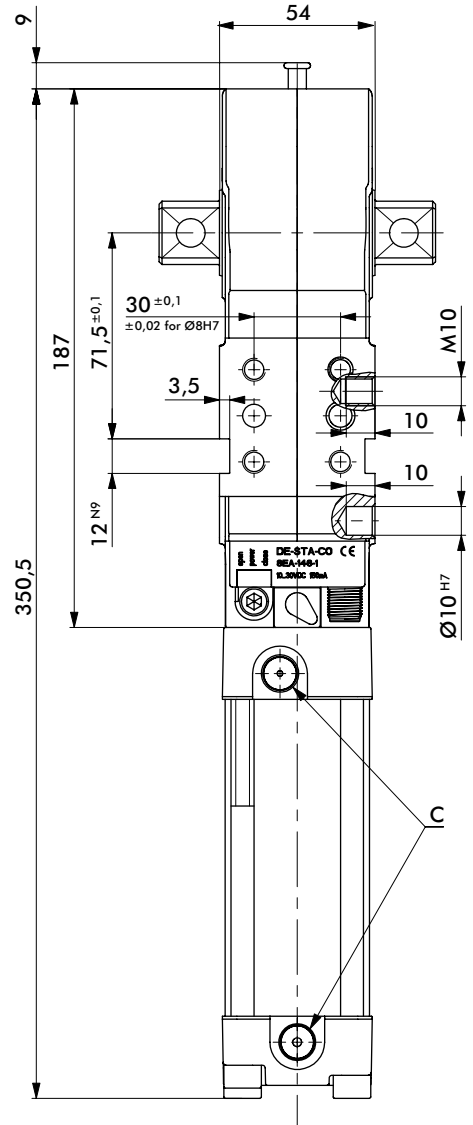
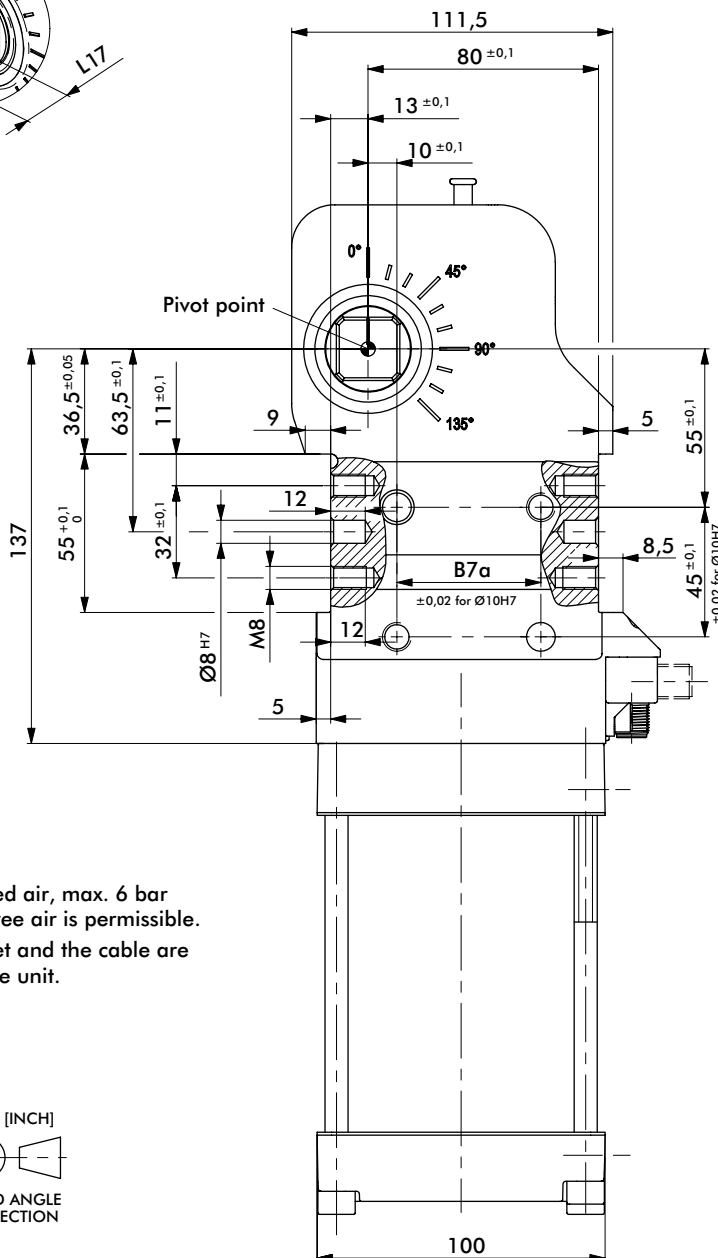
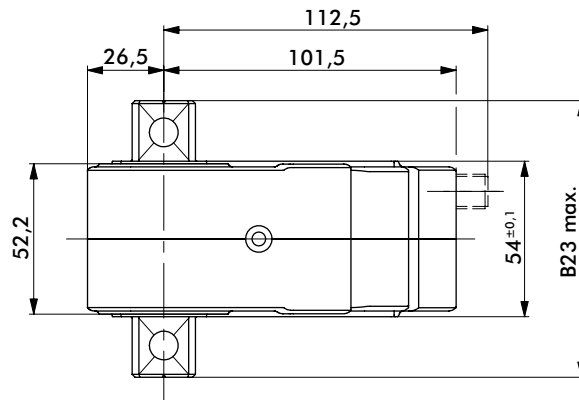
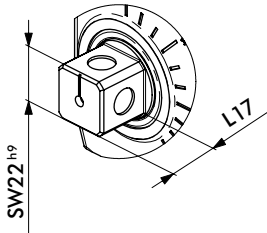


82M-3.....6. SERIES

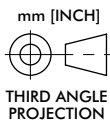
Pneumatic Power Clamps | Dimensions

| Model | B7a ±0,1 | B23 Max. | L17 |
|----------------|-------------|-------------|-----|
| 82M-3E03..6... | 50 | 78 | 12 |
| 82M-3N03..6... | 55 | 96 | 21 |
| 82M-3E23..6... | 50 | 106 | 26 |
| 82M-3N23..6... | 55 | 106 | 26 |

Dimensions of the driven shaft



Power by compressed air, max. 6 bar operation with oil-free air is permissible. The connector socket and the cable are not supplied with the unit.

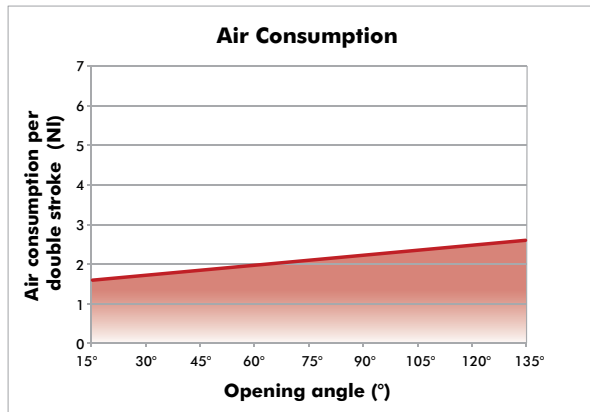
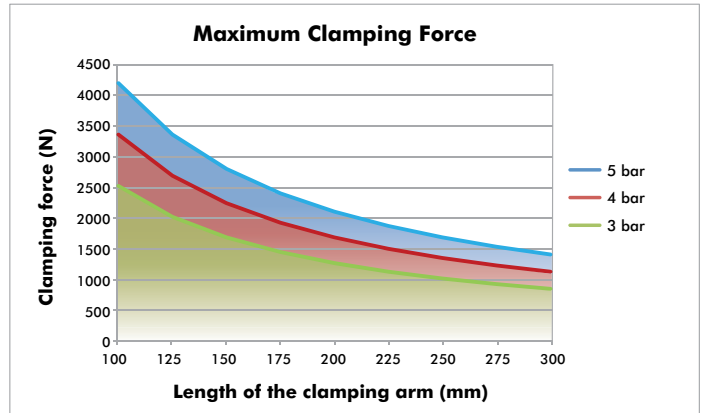
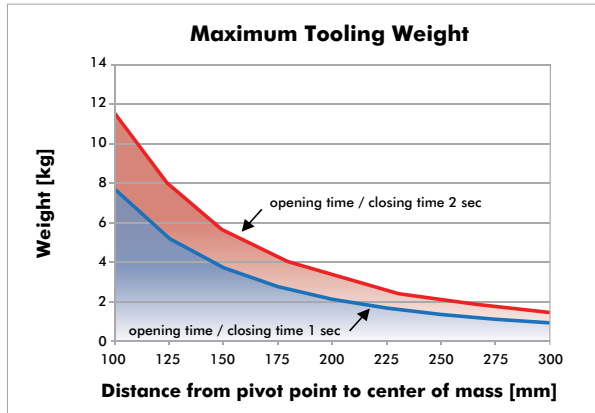


Important !
For optimal cushioning external pneumatic one-way, flow control valves should be used.

82M-3.....6. SERIES

Pneumatic Power Clamps | Technical Specifications

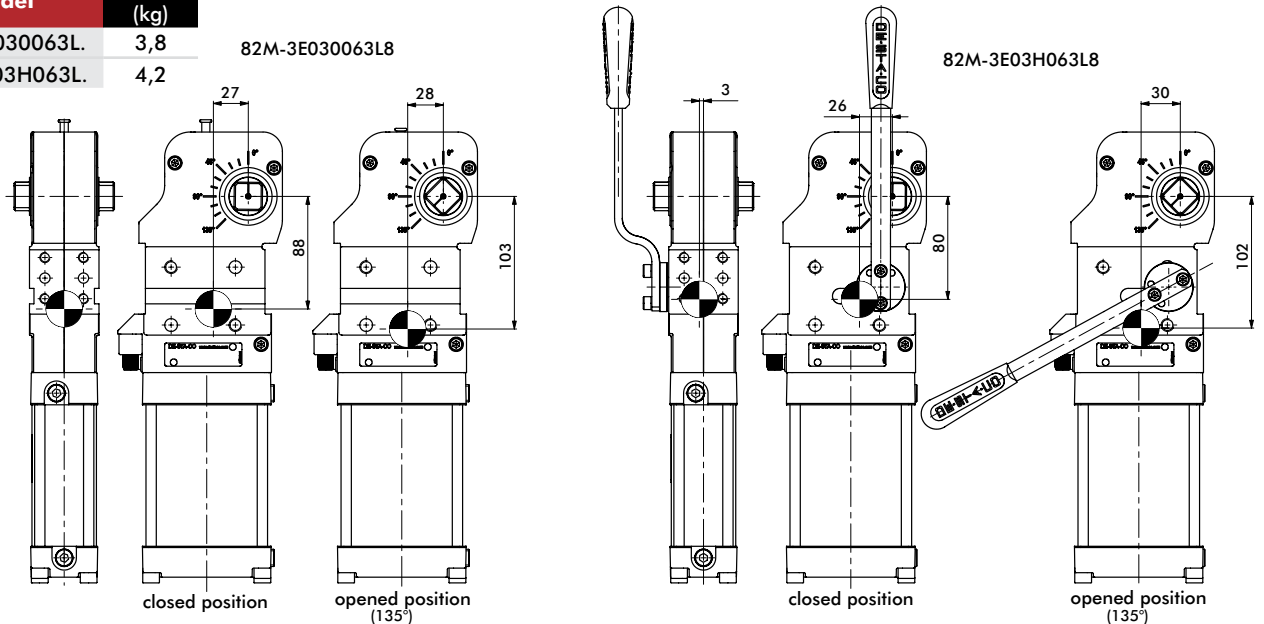
| Model | Connection (C) | Max. Holding Torque (Nm) | Clamping Torque at 5 bar (Nm) | Cylinder Ø (mm) | Weight (kg) | Air Consumption per double stroke at 5 bar (liter) |
|----------------|----------------|--------------------------|-------------------------------|-----------------|-------------|--|
| 82M-3E....63.. | G 1/4 | 1800 | 420 | 63 | 3,8 | 2,6 |
| 82M-3N....63.. | | | | | | |
| 82M-3E....6N.. | 1/4-18 NPT | 1800 | 420 | 63 | 3,8 | 2,6 |
| 82M-3N....6N.. | | | | | | |



ATTENTION:
Calculation tool available. Please consult factory.

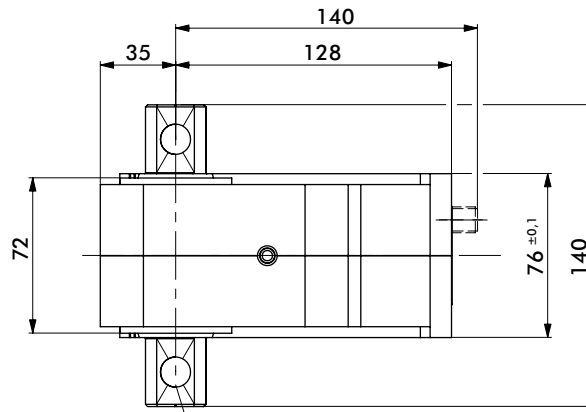
Center of Mass

| Model | Weight (kg) |
|----------------|-------------|
| 82M-3E030063L. | 3,8 |
| 82M-3E03H063L. | 4,2 |

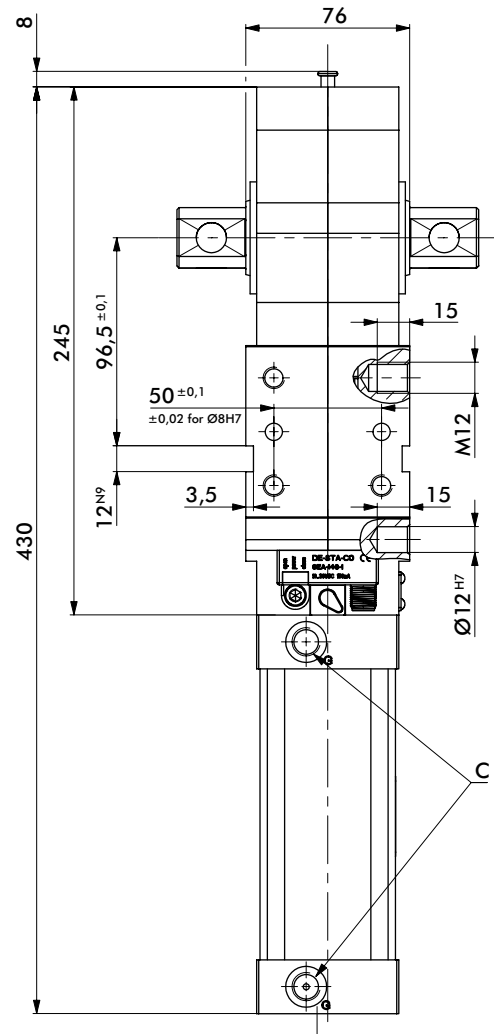
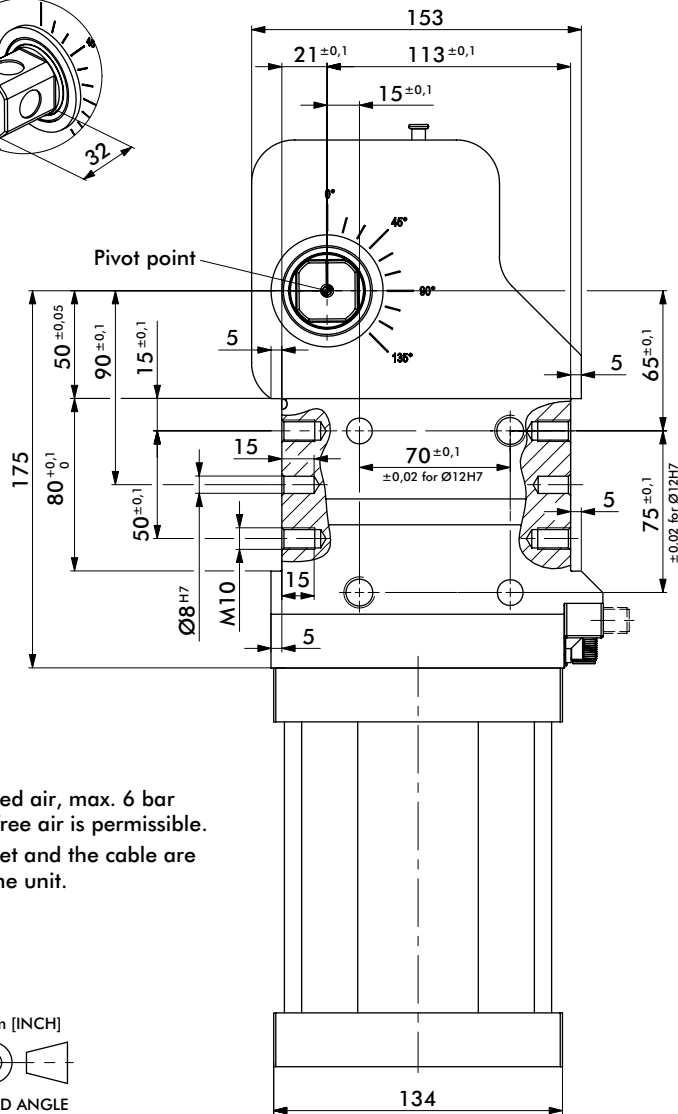
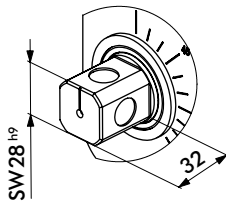


82M-3E....8. SERIES

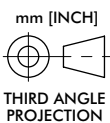
Pneumatic Power Clamps | Dimensions



Dimensions of the driven shaft



Power by compressed air, max. 6 bar operation with oil-free air is permissible. The connector socket and the cable are not supplied with the unit.

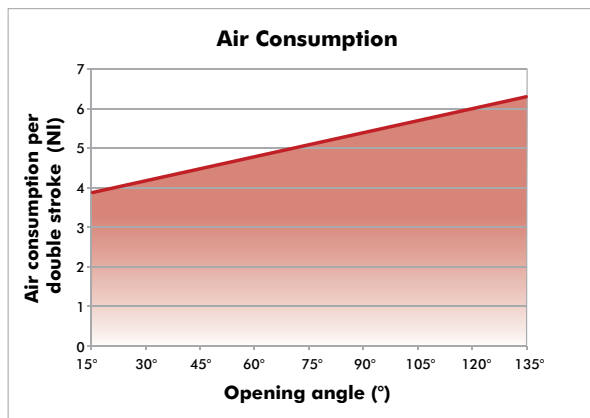
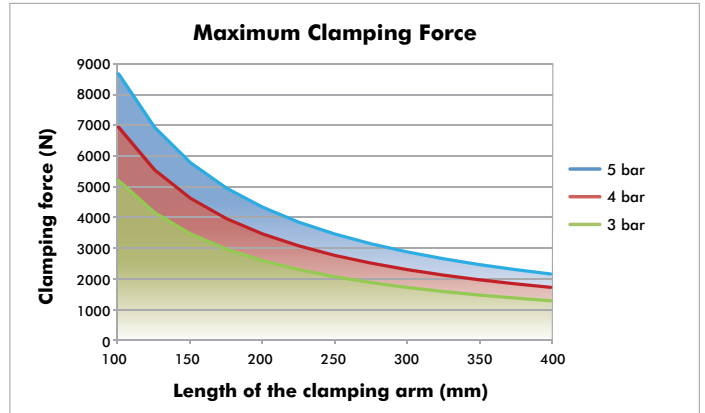
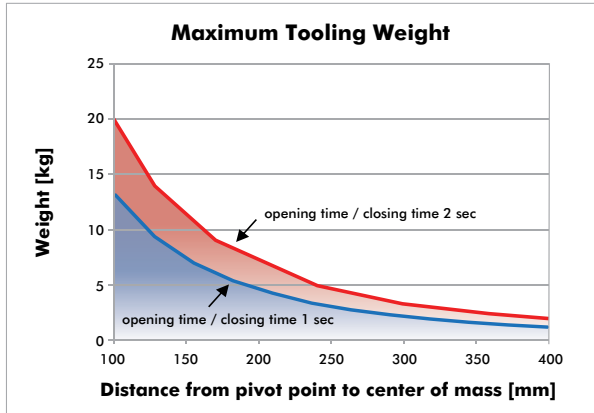


Important !
For optimal cushioning external pneumatic one-way, flow control valves should be used.

82M-3E....8. SERIES

Pneumatic Power Clamps | Technical Specifications

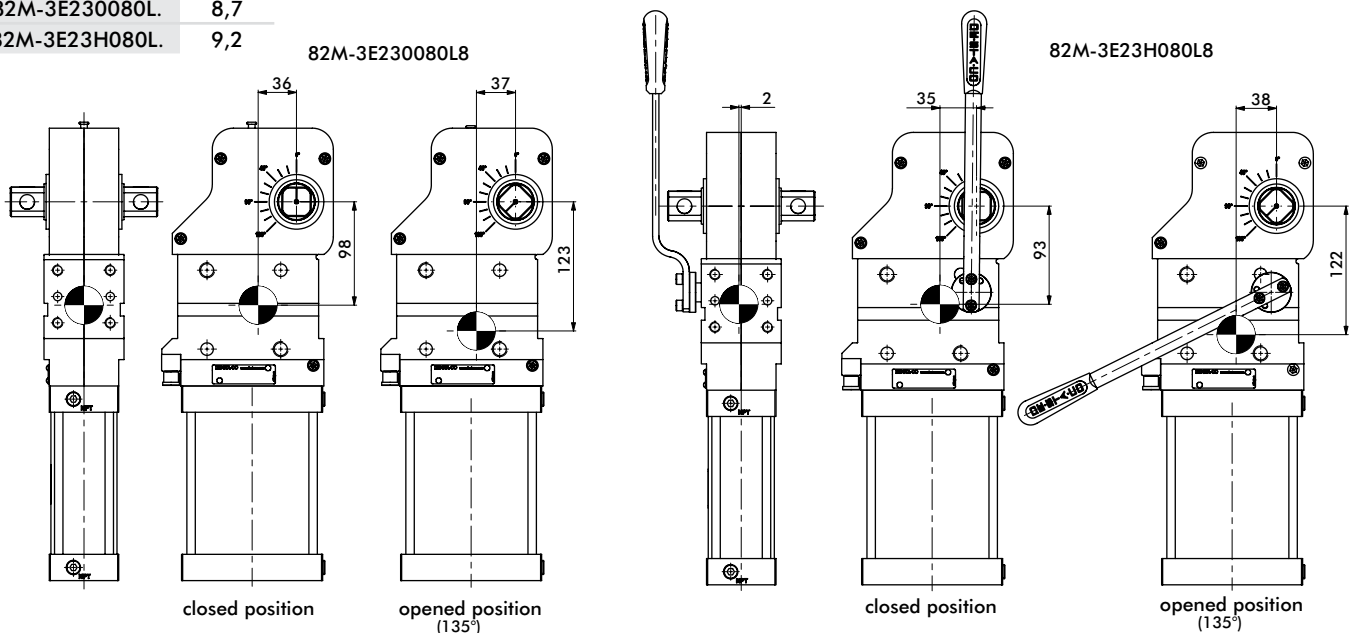
| Model | Connection (C) | Max. Holding Torque (Nm) | Clamping Torque at 5 bar (Nm) | Cylinder Ø (mm) | Weight (kg) | Air Consumption per double stroke at 5 bar (liter) |
|----------------|----------------|--------------------------|-------------------------------|-----------------|-------------|--|
| 82M-3E....80.. | G 1/4 | 3000 | 850 | 80 | 8,7 | 6,3 |
| 82M-3E....8N.. | 1/4-18 NPT | | | | | |



ATTENTION:
Calculation tool available. Please consult factory.

Center of Mass

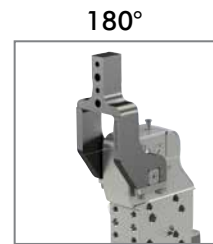
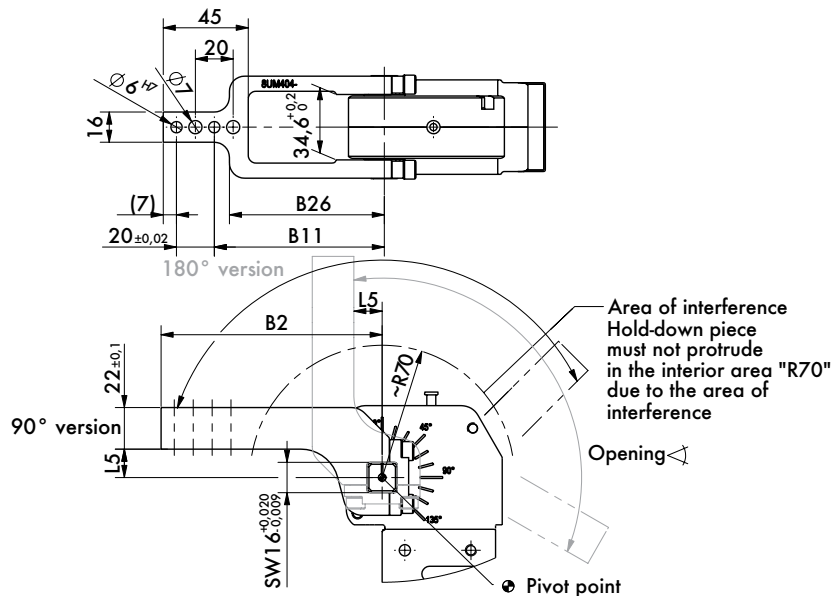
| Model | Weight (kg) |
|----------------|-------------|
| 82M-3E230080L. | 8,7 |
| 82M-3E23H080L. | 9,2 |



U-ARMS CENTER (ALUMINUM)

Pneumatic Power Clamps | Dimensions | Technical Specifications

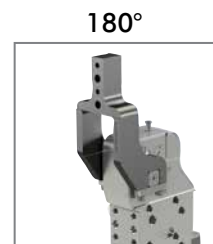
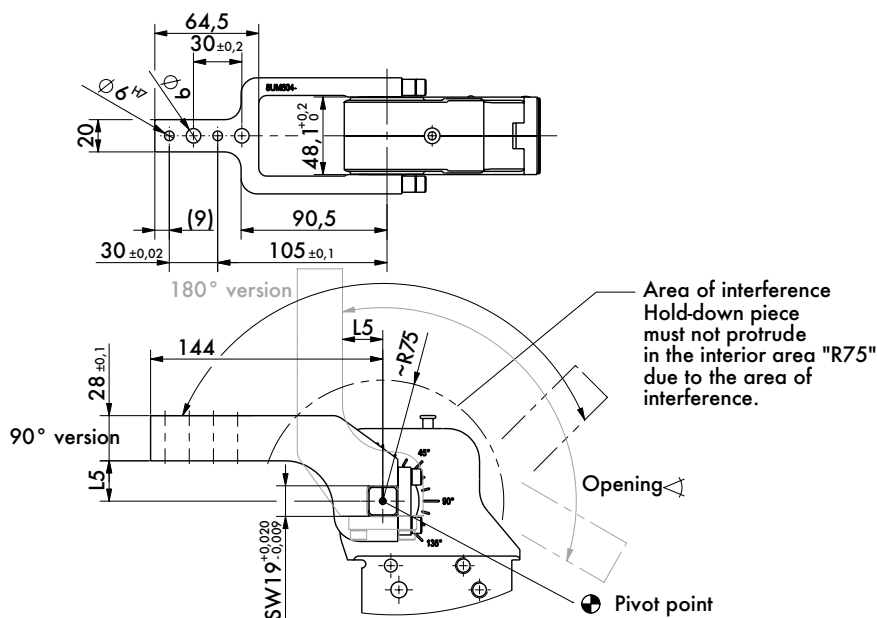
82M-3E....40..



8UM404-00-117
8UM404-15-117
8UM404-25-117
8UM404-45-107

| Arm Model No. | Max. Opening 90° Version | Max. Opening 180° Version | Weight (kg) | B2 | B11 ±0,1 | B26 | L5 |
|---------------|--------------------------|---------------------------|-------------|-----|----------|-----|----|
| 8UM404-00-117 | | 105° | 0,23 | | | | 0 |
| 8UM404-15-117 | 135° | 120° | 0,24 | 117 | 90 | 82 | 15 |
| 8UM404-25-117 | | | 0,25 | | | | 25 |
| 8UM404-45-107 | 130° | 135° | 0,24 | 107 | 80 | 72 | 45 |

82M-3E....5...



8UM504-15-144
8UM504-25-144
8UM504-45-144

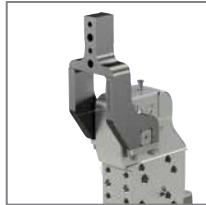
| Arm Model No. | Max. Opening 90° Version | Max. Opening 180° Version | Weight (kg) | L5 |
|---------------|--------------------------|---------------------------|-------------|----|
| 8UM504-15-144 | | 105° | 0,44 | 15 |
| 8UM504-25-144 | 135° | 120° | 0,45 | 25 |
| 8UM504-45-144 | | 135° | 0,48 | 45 |

U-ARMS CENTER (ALUMINUM)

Pneumatic Power Clamps | Dimensions | Technical Specifications



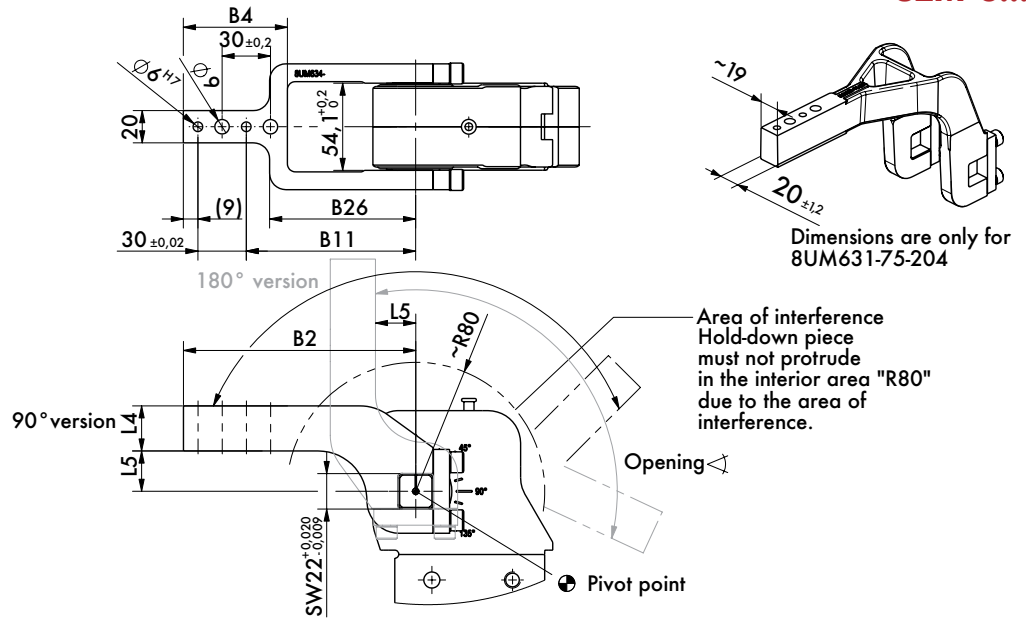
90°



180°

8UM634-15-144
8UM634-25-144
8UM634-45-144
8UM631-75-204

82M-3...6...

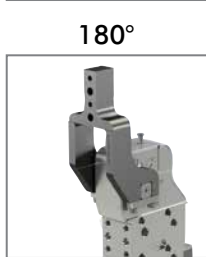


| Arm Model No. | Max. Opening 90° Version | Max. Opening 180° Version | Weight (kg) | B2 | B4 | B11 ±0,1 | B26 | L4 ±0,1 | L5 |
|----------------|--------------------------|---------------------------|-------------|-----|------|----------|------|---------|----|
| 8UM634-15-144 | 135° | 105° | 0,50 | | | | | | 15 |
| 8UM634-25-144 | | 120° | 0,53 | 144 | 64,5 | 105 | 90,5 | 28 | 25 |
| 8UM634-45-144 | | 135° | 0,56 | | | | | | 45 |
| 8UM631-75-204* | | 135° | 1,7 | 204 | 82 | 165 | 107 | 30 | 75 |

* only steel version available.



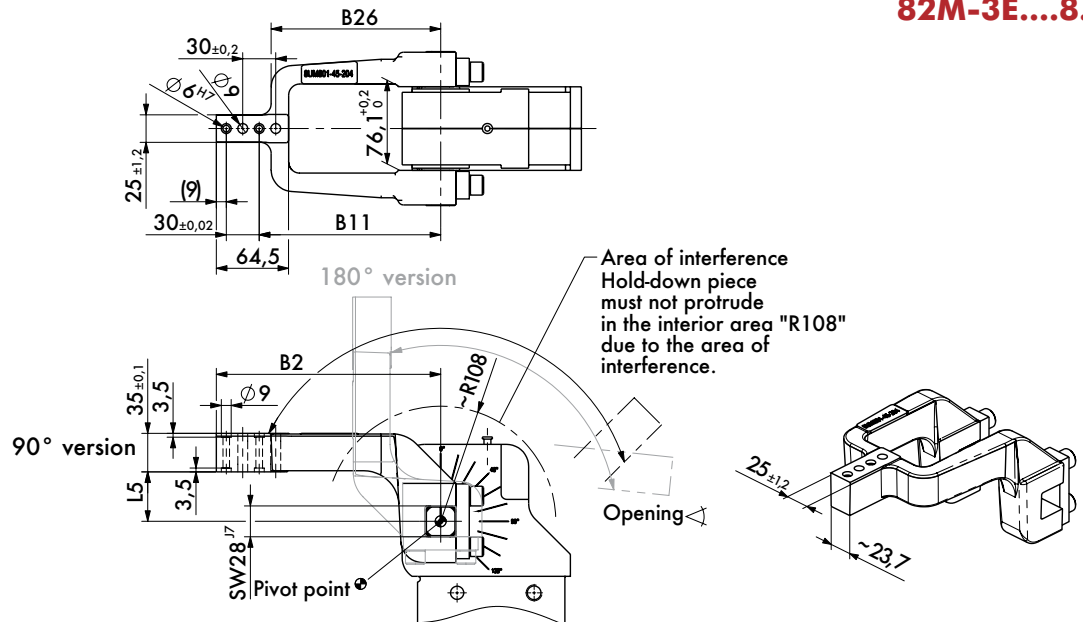
90°



180°

8JG-169-2-01
8UM801-45-204

82M-3E...8...



| Arm Model No. | Max. Opening 90° Version | Max. Opening 180° Version | Weight (kg) | B2 | B11 ±0,1 | B26 | L5** ±0,2 |
|----------------|--------------------------|---------------------------|-------------|-----|----------|-----|-----------|
| 8JG-169-2-01 | 135° | 105° | 3,5 | 179 | 140 | 129 | 20 |
| 8UM801-45-204* | | 135° | 4,1 | 204 | 165 | 154 | 45 |

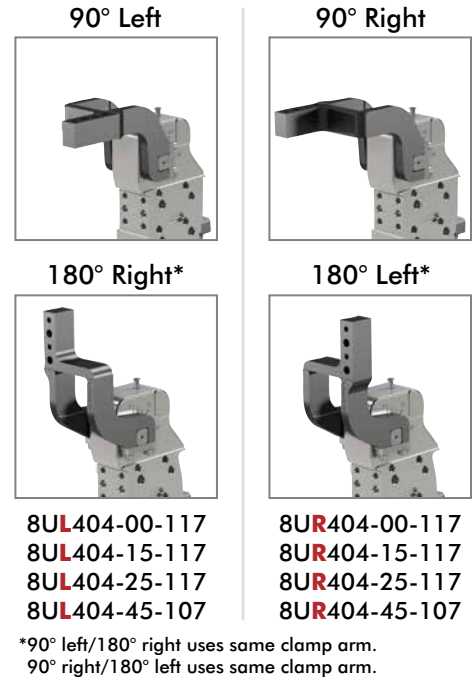
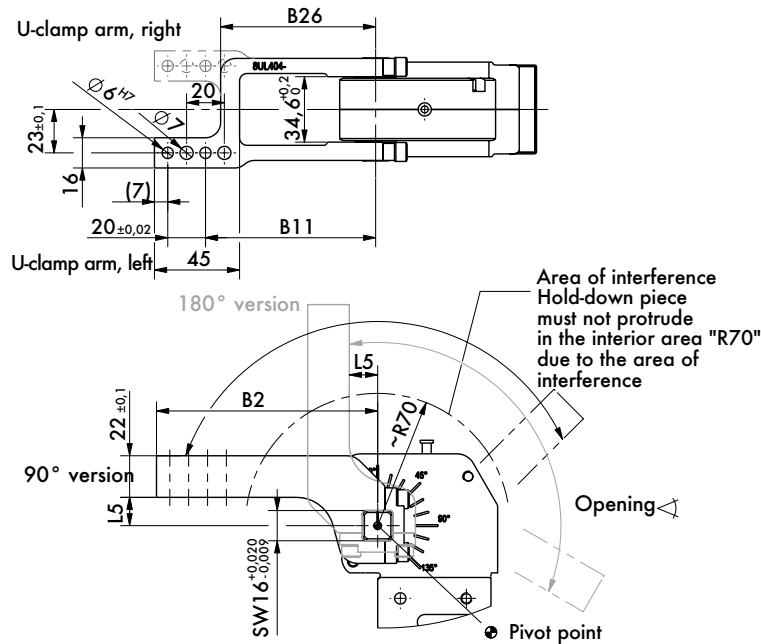
*only steel version available.

** Tolerance measured 80mm from pivot point.

U-ARMS OFFSET (ALUMINUM)

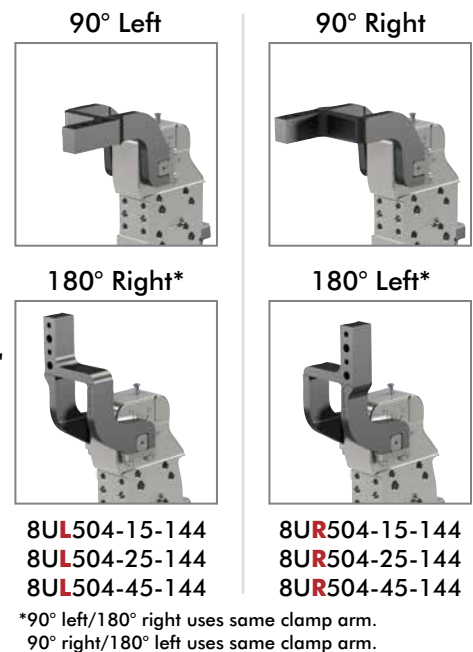
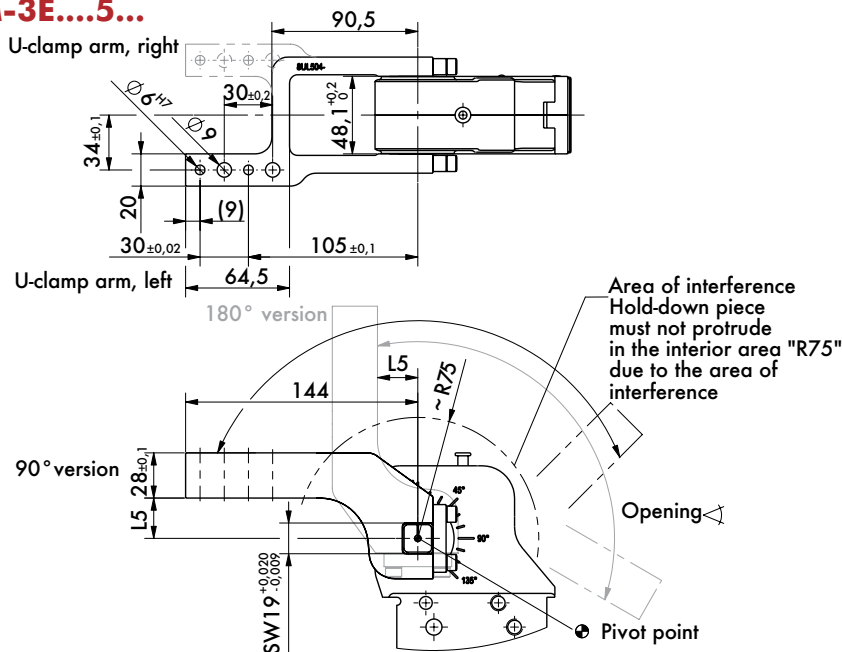
Pneumatic Power Clamps | Dimensions | Technical Specifications

82M-3E...40..



| Arm Model No. | Max. Opening 90° Version | Max. Opening 180° Version | Weight (kg) | B2 | B11 ±0,1 | B26 | L5 |
|-----------------|--------------------------|---------------------------|-------------|-----|----------|-----|----|
| 8U(•)404-00-117 | | 105° | 0,23 | | | | 0 |
| 8U(•)404-15-117 | 135° | 120° | 0,24 | 117 | 90 | 82 | 15 |
| 8U(•)404-25-117 | | 135° | 0,25 | | | | 25 |
| 8U(•)404-45-107 | 130° | | 0,25 | 107 | 80 | 72 | 45 |

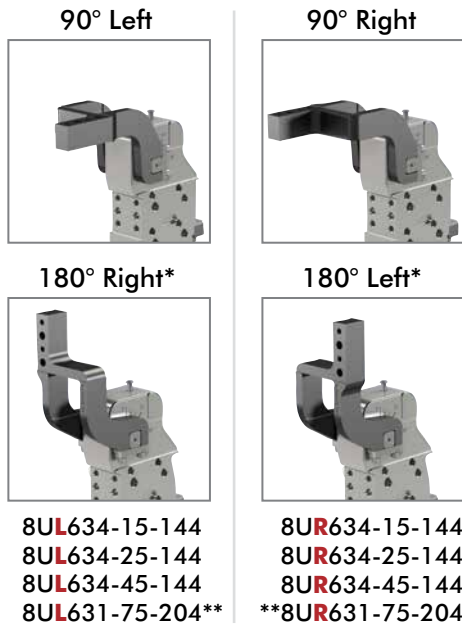
82M-3E...5...



| Arm Model No. | Max. Opening 90° Version | Max. Opening 180° Version | Weight (kg) | L5 |
|-----------------|--------------------------|---------------------------|-------------|----|
| 8U(•)504-15-144 | | 105° | 0,45 | 15 |
| 8U(•)504-25-144 | 135° | 120° | 0,46 | 25 |
| 8U(•)504-45-144 | | 135° | 0,49 | 45 |

U-ARMS OFFSET (ALUMINUM)

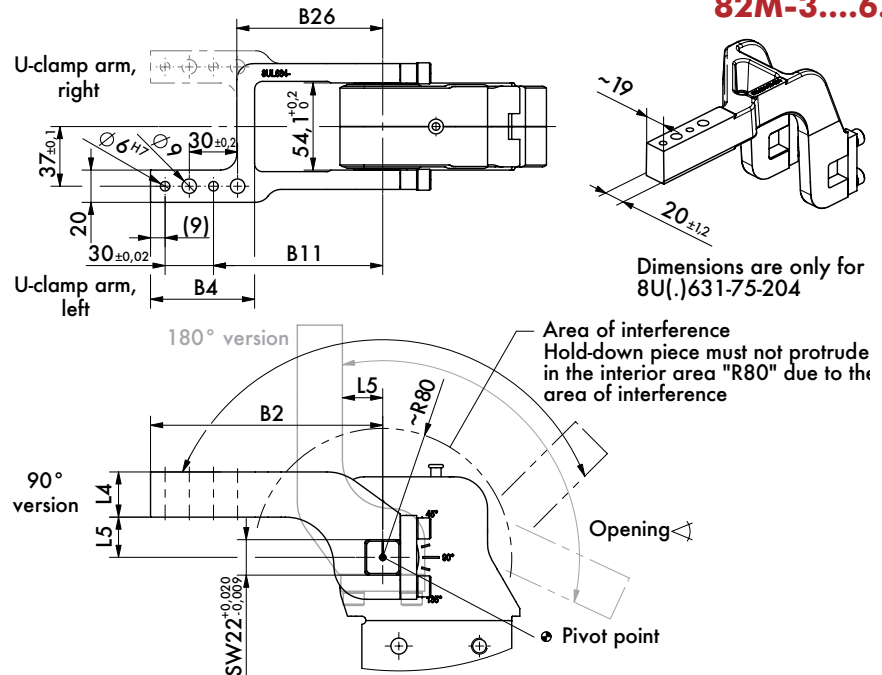
Pneumatic Power Clamps | Dimensions | Technical Specifications



8UL634-15-144
8UL634-25-144
8UL634-45-144
8UL631-75-204**

8UR634-15-144
8UR634-25-144
8UR634-45-144
****8UR631-75-204**

*90° left/180° right uses same clamp arm.
 90° right/180° left uses same clamp arm.

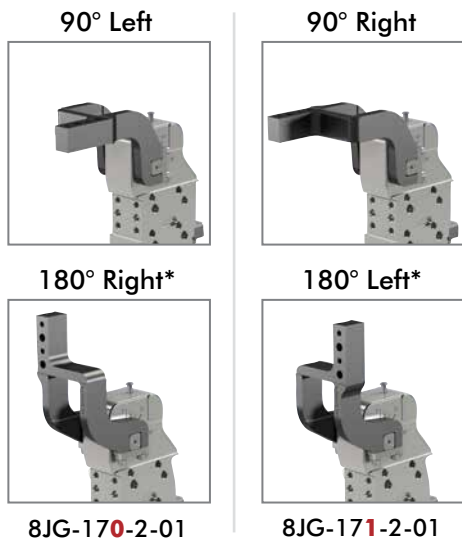


82M-3...6...

Dimensions are only for 8U(.)631-75-204

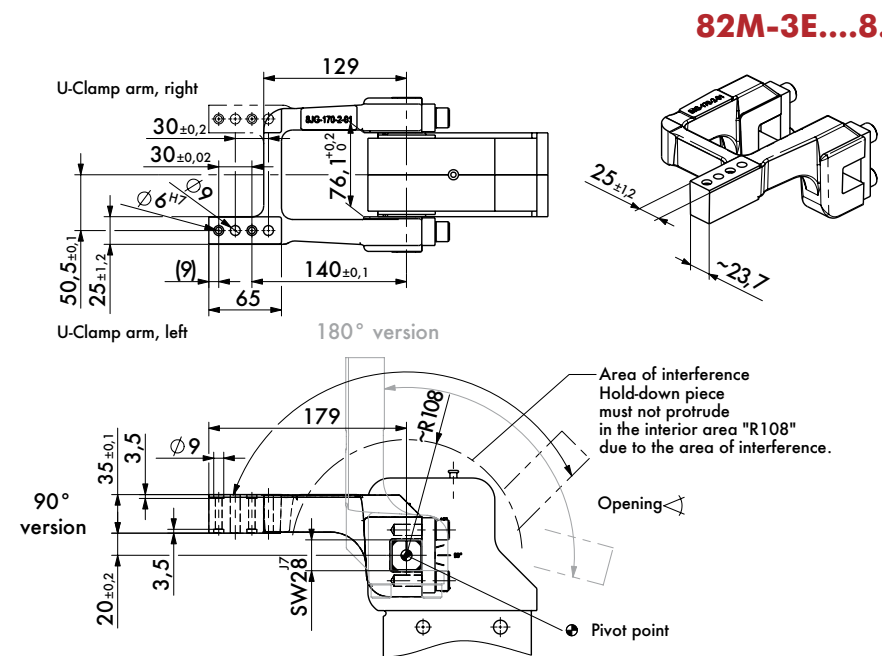
| Arm Model No. | Max. Opening 90° Version | Max. Opening 180° Version | Weight (kg) | B2 | B4 | B11 ±0,1 | B26 | L4 ±0,1 | L5 |
|-------------------|--------------------------|---------------------------|-------------|-----|------|----------|------|---------|-----|
| 8U(.)634-15-144 | 135° | 105° | 0,52 | 144 | 64,5 | 105 | 90,5 | 28 | 15 |
| 8U(.)634-25-144 | | 120° | 0,54 | | | | | | 25 |
| 8U(.)634-45-144 | | 0,58 | 45 | | | | | | |
| 8U(.)631-75-204** | | 135° | 1,9 | | | | | | 204 |

** only steel version available.



8JG-170-2-01
8JG-171-2-01

*90° left/180° right uses same clamp arm.
 90° right/180° left uses same clamp arm.



82M-3E...8...

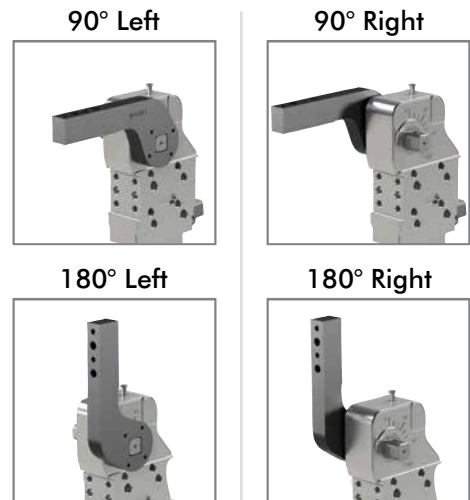
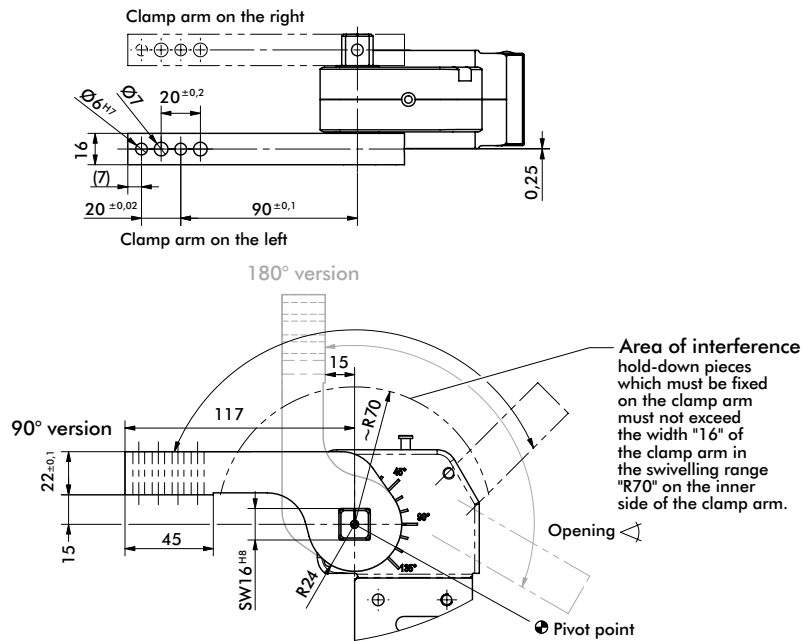
| Arm Model No. | Max. Opening 90° Version | Max. Opening 180° Version | Weight (kg) |
|-----------------|--------------------------|---------------------------|-------------|
| 8JG-17(.)2-01** | 135° | 105° | 3,5 |

**only steel version available.

LATERAL (SIDE) ARMS

Pneumatic Power Clamps | Dimensions | Technical Specifications

82M-3E....40..

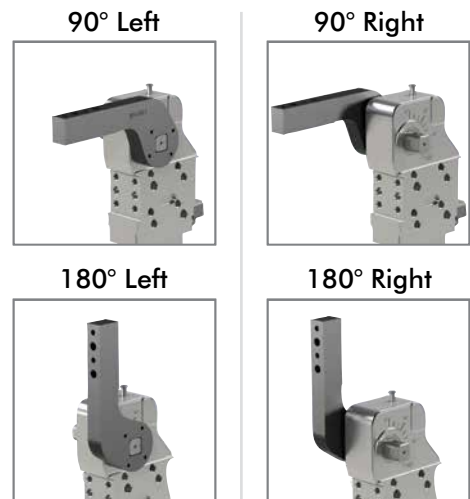
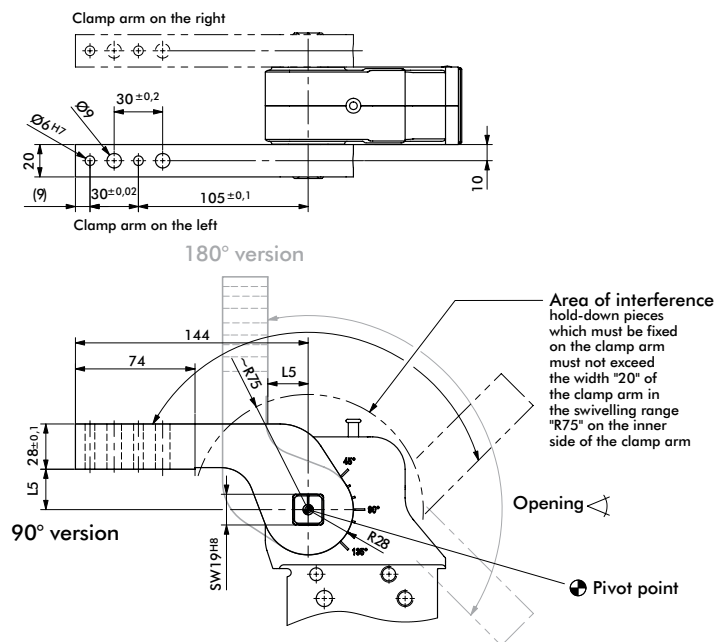


8S401-15-117

| Arm Model No. | Max. Opening 90° Version | Max. Opening 180° Version | Weight (kg) |
|---------------|--------------------------|---------------------------|-------------|
| 8S401-15-117 | 135° | 120° | 0,5 |

Models with 2 lateral clamp arms requires 2 clamp arm sets.

82M-3E....5...



8JG-070-1-01
8S501-25-144

| Arm Model No. | Max. Opening 90° Version | Max. Opening 180° Version | Weight (kg) | L5 |
|---------------|--------------------------|---------------------------|-------------|----|
| 8JG-070-1-01 | 135° | 135° | 0,9 | 15 |
| 8S501-25-144 | | | 1,0 | 25 |

Models with 2 lateral clamp arms requires 2 clamp arm sets.

LATERAL (SIDE) ARMS

Pneumatic Power Clamps | Dimensions | Technical Specifications

82M-3...6...

90° Left



90° Right



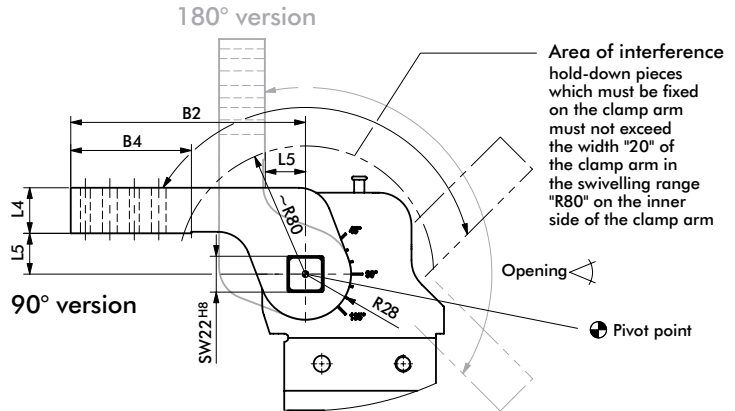
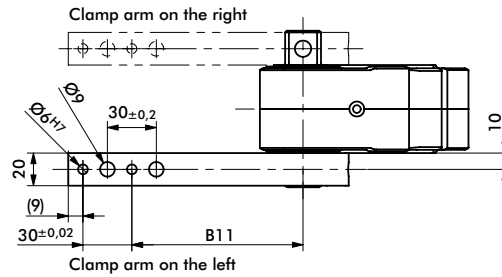
180° Left



180° Right



8JG-080-1-01
8S631-25-144
8S631-45-144
8S631-75-204



| Arm Model No. | Max. Opening 90° Version | Max. Opening 180° Version | Weight (kg) | B2 | B4 | B11 ±0,1 | L4 ±0,1 | L5 |
|---------------|--------------------------|---------------------------|-------------|-----|----|----------|---------|----|
| 8JG-080-1-01 | 135° | 135° | 0,9 | 144 | 74 | 105 | 28 | 15 |
| 8S631-25-144 | | | 1,0 | | | | | 25 |
| 8S631-45-144 | | | 1,1 | | | | | 45 |
| 8S631-75-204 | | | 1,5 | | | | | 75 |

Models with 2 lateral clamp arms requires 2 clamp arm sets.

82M-3E...8...

90° Left



90° Right



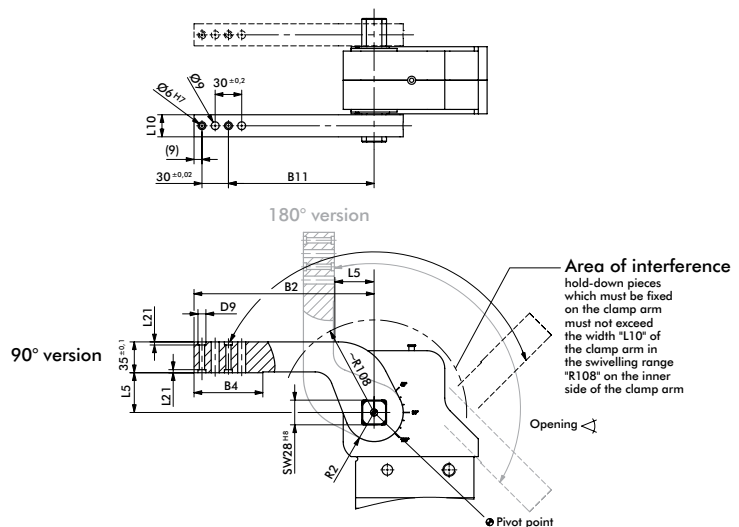
180° Left



180° Right



8JG-1179-1-01
8S801-45-204



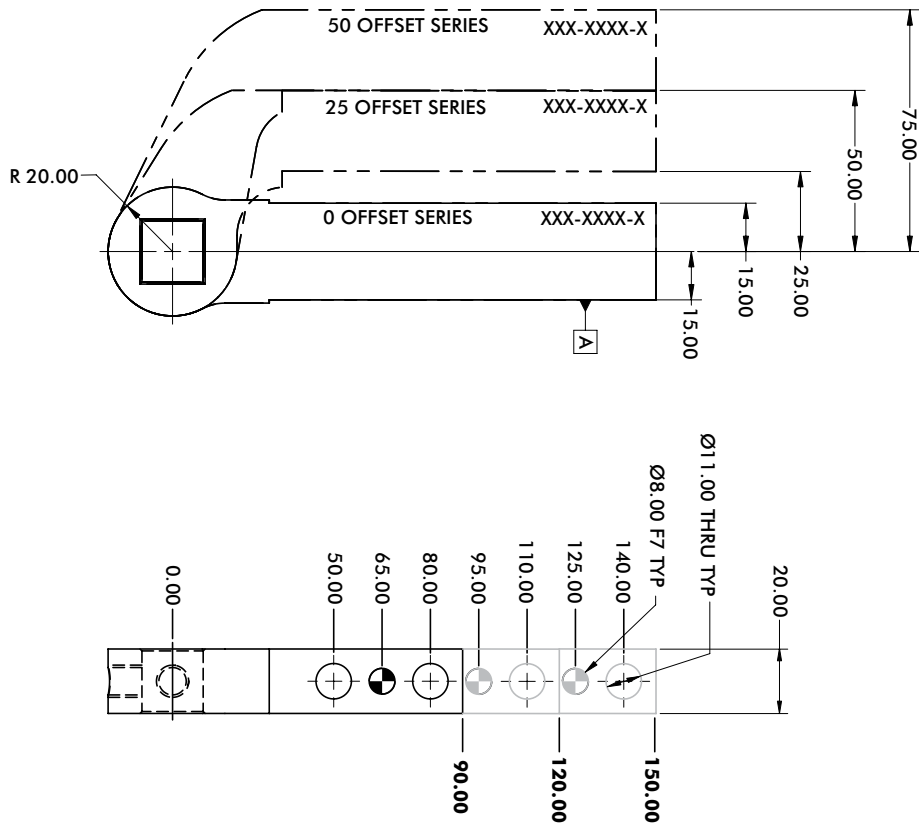
| Arm Model No. | Max. Opening 90° Version | Max. Opening 180° Version | Weight (kg) | B2 | B4 | D9 | B11 ±0,1 | L5 | L10 | L21 | R2 |
|---------------|--------------------------|---------------------------|-------------|-----|----|----|----------|----|-----|-----|----|
| 8JG-1179-1-01 | 135° | 135° | 2,1 | 179 | 74 | - | 140 | 20 | 30 | - | 35 |
| 8S801-45-204 | | | | 204 | 78 | 9 | 165 | 45 | 25 | 3,5 | 33 |

Models with 2 lateral clamp arms requires 2 clamp arm sets.

LATERAL (SIDE) ARMS, NAAMS-STYLE

Pneumatic Power Clamps | Dimensions | Technical Specifications

82M-3E 50mm



9mm Thru Hole (6.00 H7 Dowel)

| 90mm [3.54"] Arm Length | | | 120mm [4.72"] Arm Length | | | 150mm [5.90"] Arm Length | | |
|-------------------------|-----------|-------------|--------------------------|-----------|-------------|--------------------------|-----------|-------------|
| Series | Arm Style | Model | Series | Arm Style | Model | Series | Arm Style | Model |
| 50 Offset | ▲ • 3256 | B8JG-3256-1 | 50 Offset | ▲ • 3257 | B8JG-3257-1 | 50 Offset | ▲ • 3258 | B8JG-3258-1 |
| 25 Offset | ▲ • 3246 | B8JG-3246-1 | 25 Offset | ▲ • 3247 | B8JG-3247-1 | 25 Offset | ▲ • 3248 | B8JG-3248-1 |
| 0 Offset | ▲ • 3236 | B8JG-3236-1 | 0 Offset | ▲ • 3237 | B8JG-3237-1 | 0 Offset | ▲ • 3238 | B8JG-3238-1 |

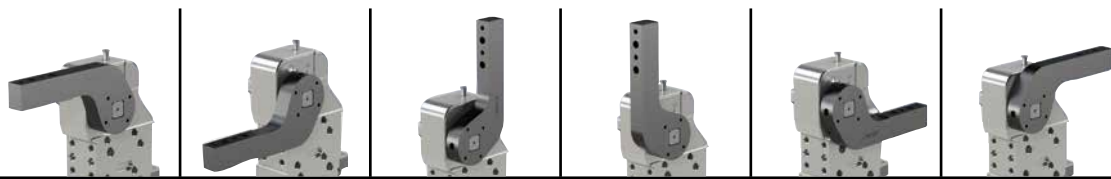
11mm Thru Hole (8.00 F7 Dowel)

| 90mm [3.54"] Arm Length | | | 120mm [4.72"] Arm Length | | | 150mm [5.90"] Arm Length | | |
|-------------------------|-----------|-------------|--------------------------|-----------|-------------|--------------------------|-----------|-------------|
| Series | Arm Style | Model | Series | Arm Style | Model | Series | Arm Style | Model |
| 50 Offset | ▲ • 1226 | B8JG-1226-1 | 50 Offset | ▲ • 1227 | B8JG-1227-1 | 50 Offset | ▲ • 1228 | B8JG-1228-1 |
| 25 Offset | ▲ • 1216 | B8JG-1216-1 | 25 Offset | ▲ • 1217 | B8JG-1217-1 | 25 Offset | ▲ • 1218 | B8JG-1218-1 |
| 0 Offset | ▲ • 1206 | B8JG-1206-1 | 0 Offset | ▲ • 1207 | B8JG-1207-1 | 0 Offset | ▲ • 1208 | B8JG-1208-1 |

▲ Common in North America

(•) STANDARD ARM OFFERING

Maximum Opening Angle (shown in locked position)

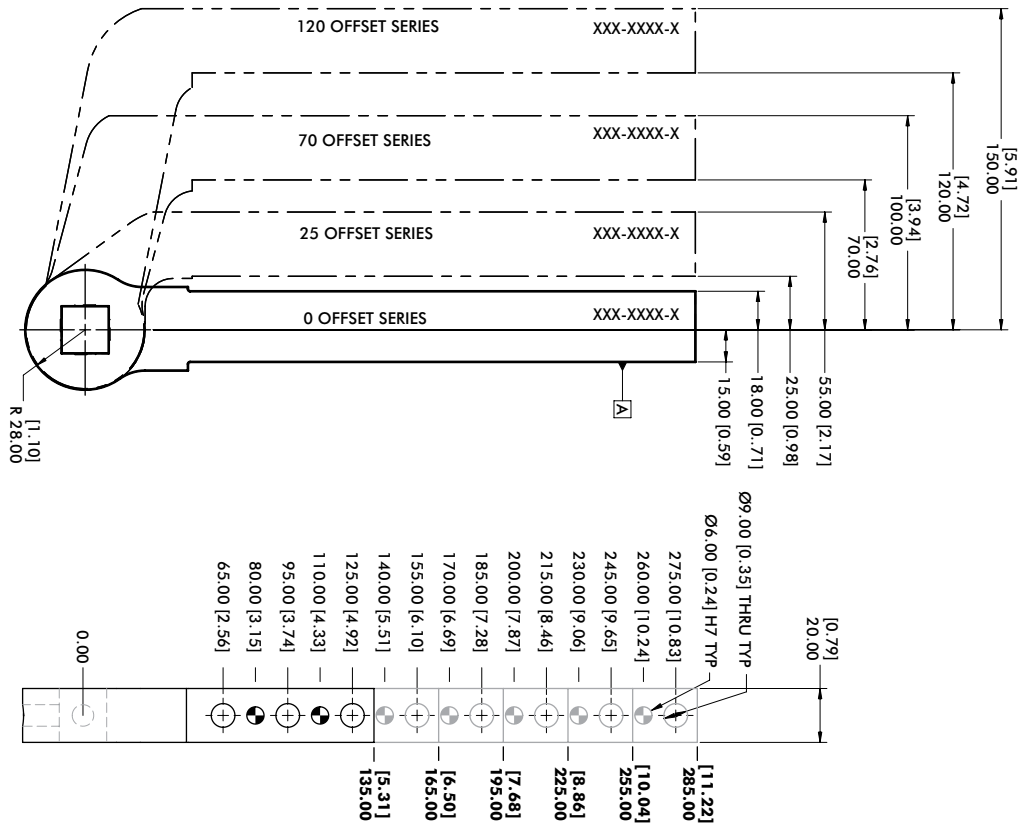


| Arm Styles | 1206-1208/3236-3238 | 1216-1218/3246-3248 | 1226-1228/3256-3258 | 1206-1207 | 1207-1208 | 1216-1217 | 1217-1218 | 1226-1227 | 1227-1228 | 1236-1237 | 1237-1238 |
|---------------------|---------------------|---------------------|---------------------|-----------|-----------|-----------|-----------|-----------|-----------|-----------|-----------|
| 1206-1208/3236-3238 | 135° | 135° | 100° | 100° | N/A | N/A | N/A | N/A | N/A | N/A | N/A |
| 1216-1218/3246-3248 | 135° | N/A | 50° | 125° | N/A | N/A | N/A | N/A | N/A | N/A | N/A |
| 1226-1228/3256-3258 | 125° | N/A | 35° | 135° | N/A | N/A | N/A | N/A | N/A | N/A | N/A |

LATERAL (SIDE) ARMS, NAAMS-STYLE

Pneumatic Power Clamps | Dimensions | Technical Specifications

82M-3. 63mm for 23 Clamp Arm Shaft Option



135mm [5.31"] Arm Length

| Series | Arm Style | Model |
|------------|-----------|-------------|
| 120 Offset | ▲ 1543 | B8JG-1543-1 |
| 70 Offset | ▲ 1531 | B8JG-1531-1 |
| 25 Offset | ▲ 1519 | B8JG-1519-1 |
| 0 Offset | ▲ 1507 | B8JG-1507-1 |

165mm [6.50"] Arm Length

| Series | Arm Style | Model |
|------------|-----------|-------------|
| 120 Offset | ▲ 1544 | B8JG-1544-1 |
| 70 Offset | ▲ 1532 | B8JG-1532-1 |
| 25 Offset | ▲ 1520 | B8JG-1520-1 |
| 0 Offset | ▲ 1508 | B8JG-1508-1 |

195mm [7.68"] Arm Length

| Series | Arm Style | Model |
|------------|-----------|-------------|
| 120 Offset | ▲ 1545 | B8JG-1545-1 |
| 70 Offset | ▲ 1533 | B8JG-1533-1 |
| 25 Offset | ▲ 1521 | B8JG-1521-1 |
| 0 Offset | ▲ 1509 | B8JG-1509-1 |

225mm [8.86"] Arm Length

| Series | Arm Style | Model |
|------------|-----------|-------------|
| 120 Offset | ▲ 1546 | B8JG-1546-1 |
| 70 Offset | ▲ 1534 | B8JG-1534-1 |
| 25 Offset | ▲ 1522 | B8JG-1522-1 |
| 0 Offset | ▲ 1510 | B8JG-1510-1 |

255mm [10.04"] Arm Length

| Series | Arm Style | Model |
|------------|-----------|-------------|
| 120 Offset | ▲ 1547 | B8JG-1547-1 |
| 70 Offset | ▲ 1535 | B8JG-1535-1 |
| 25 Offset | ▲ 1523 | B8JG-1523-1 |
| 0 Offset | ▲ 1511 | B8JG-1511-1 |

285mm [11.22"] Arm Length

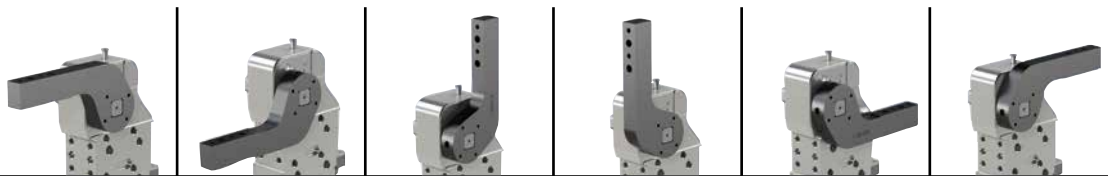
| Series | Arm Style | Model |
|------------|-----------|-------------|
| 120 Offset | ▲ 1548 | B8JG-1548-1 |
| 70 Offset | ▲ 1536 | B8JG-1536-1 |
| 25 Offset | ▲ 1524 | B8JG-1524-1 |
| 0 Offset | ▲ 1512 | B8JG-1512-1 |

▲ Common in North America

(•) STANDARD ARM OFFERING

(i) NON-STANDARD ARM OFFERING (extended leadtimes apply)

Maximum Opening Angle (shown in locked position)

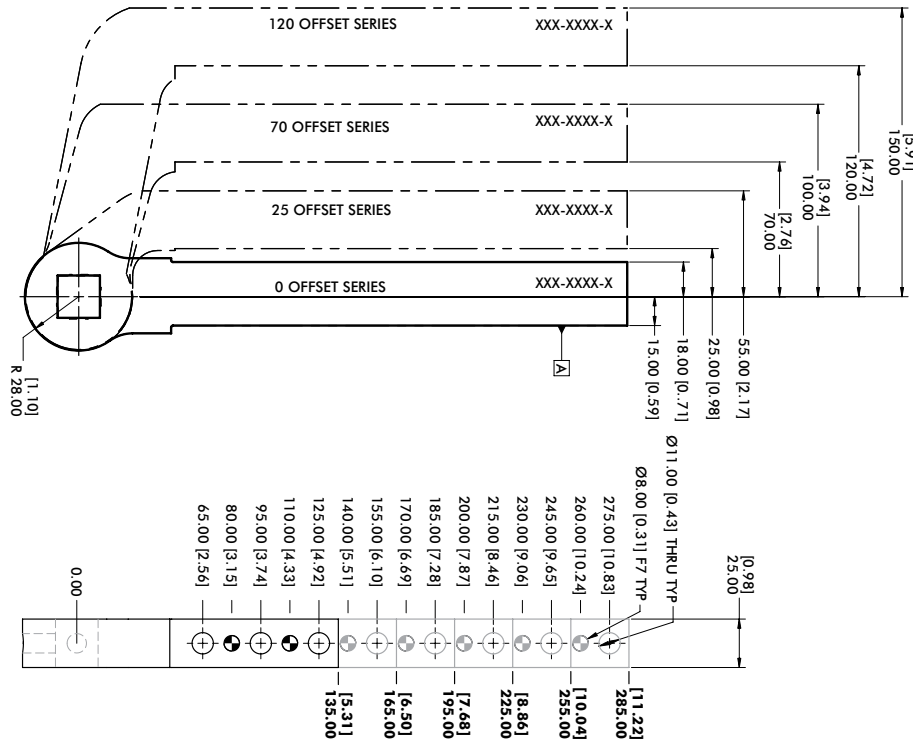


| Arm Styles | 135° | 135° | 100° | 100° | N/A | N/A |
|---------------------|------|------|------|------|-----|-----|
| 1510-1512/1507-1509 | 135° | 135° | 100° | 100° | N/A | N/A |
| 1522-1524/1519-1521 | 135° | N/A | 50° | 130° | N/A | 40° |
| 1534-1536/1531-1533 | 115° | N/A | 25° | 135° | N/A | 75° |
| 1546-1548/1543-1545 | 110° | N/A | 20° | 135° | N/A | 85° |

LATERAL (SIDE) ARMS, NAAMS-STYLE

Pneumatic Power Clamps | Dimensions | Technical Specifications

82M-3. 63mm for D0 Clamp Arm Shaft Option



135mm [5.31"] Arm Length

| Series | Arm Style | Model |
|------------|-----------|-------------|
| 120 Offset | ▲ • 1043 | B8JG-1043-1 |
| 70 Offset | ▲ • 1031 | B8JG-1031-1 |
| 25 Offset | ▲ • 1019 | B8JG-1019-1 |
| 0 Offset | ▲ • 1007 | B8JG-1007-1 |

165mm [6.50"] Arm Length

| Series | Arm Style | Model |
|------------|-----------|-------------|
| 120 Offset | ▲ ⓘ 1044 | B8JG-1044-1 |
| 70 Offset | ▲ • 1032 | B8JG-1032-1 |
| 25 Offset | ▲ • 1020 | B8JG-1020-1 |
| 0 Offset | ▲ • 1008 | B8JG-1008-1 |

195mm [7.68"] Arm Length

| Series | Arm Style | Model |
|------------|-----------|-------------|
| 120 Offset | ▲ ⓘ 1045 | B8JG-1045-1 |
| 70 Offset | ▲ • 1033 | B8JG-1033-1 |
| 25 Offset | ▲ ⓘ 1021 | B8JG-1021-1 |
| 0 Offset | ▲ • 1009 | B8JG-1009-1 |

225mm [8.86"] Arm Length

| Series | Arm Style | Model |
|------------|-----------|-------------|
| 120 Offset | ▲ ⓘ 1046 | B8JG-1046-1 |
| 70 Offset | ▲ • 1034 | B8JG-1034-1 |
| 25 Offset | ▲ ⓘ 1022 | B8JG-1022-1 |
| 0 Offset | ▲ ⓘ 1010 | B8JG-1010-1 |

255mm [10.04"] Arm Length

| Series | Arm Style | Model |
|------------|-----------|-------------|
| 120 Offset | ▲ ⓘ 1047 | B8JG-1047-1 |
| 70 Offset | ▲ • 1035 | B8JG-1035-1 |
| 25 Offset | ▲ ⓘ 1023 | B8JG-1023-1 |
| 0 Offset | ▲ ⓘ 1011 | B8JG-1011-1 |

285mm [11.22"] Arm Length

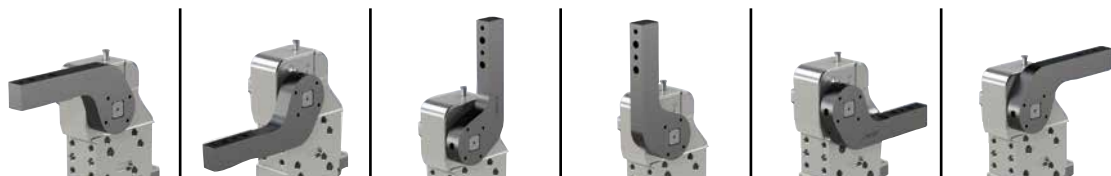
| Series | Arm Style | Model |
|------------|-----------|-------------|
| 120 Offset | ▲ ⓘ 1048 | B8JG-1048-1 |
| 70 Offset | ▲ ⓘ 1036 | B8JG-1036-1 |
| 25 Offset | ▲ ⓘ 1024 | B8JG-1024-1 |
| 0 Offset | ▲ ⓘ 1012 | B8JG-1012-1 |

▲ Common in North America

(•) STANDARD ARM OFFERING

(ⓘ) NON-STANDARD ARM OFFERING (extended leadtimes apply)

Maximum Opening Angle (shown in locked position)

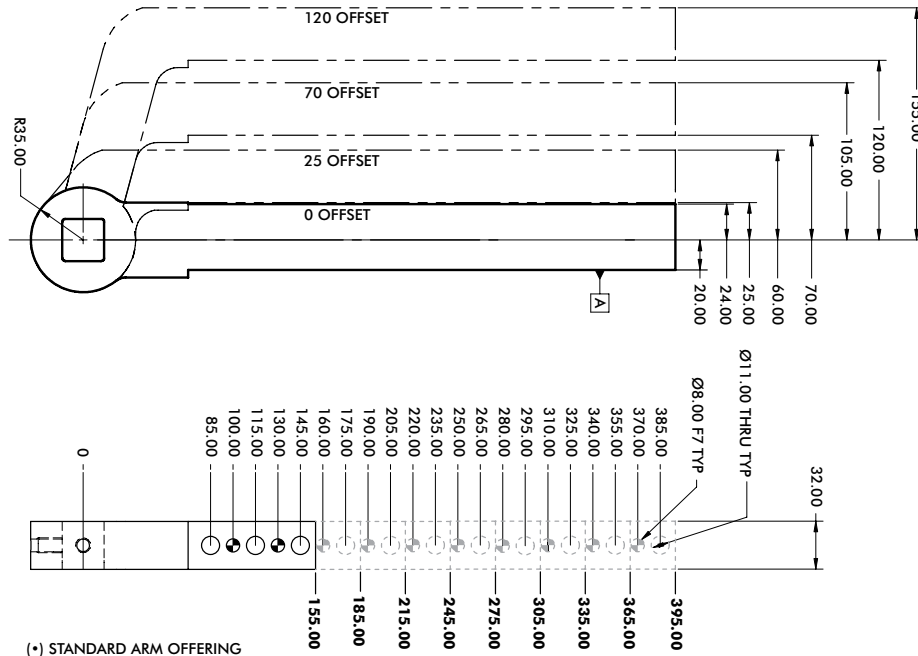


| Arm Styles | 1 | 2 | 3 | 4 | 5 | 6 |
|---------------------|------|------|------|------|-----|-----|
| 1010-1012/1007-1009 | 135° | 135° | 100° | 100° | N/A | N/A |
| 1022-1024/1019-1021 | 135° | N/A | 50° | 130° | N/A | 40° |
| 1034-1036/1031-1033 | 115° | N/A | 25° | 135° | N/A | 75° |
| 1046-1048/1043-1045 | 110° | N/A | 20° | 135° | N/A | 85° |

LATERAL (SIDE) ARMS, NAAMS-STYLE

Pneumatic Power Clamps | Dimensions | Technical Specifications

82M-3E 80mm



155mm [4.53"] Arm Length

| Series | Arm Style | Model |
|------------|-----------|-------------|
| 120 Offset | ▲ ⓘ 1170 | B8JG-1170-1 |
| 70 Offset | ▲ • 1150 | B8JG-1150-1 |
| 25 Offset | ▲ ⓘ 1130 | B8JG-1130-1 |
| 0 Offset | ▲ ⓘ 1110 | B8JG-1110-1 |

185mm [7.28"] Arm Length

| Series | Arm Style | Model |
|------------|-----------|-------------|
| 120 Offset | ▲ ⓘ 1171 | B8JG-1171-1 |
| 70 Offset | ▲ ⓘ 1151 | B8JG-1151-1 |
| 25 Offset | ▲ ⓘ 1131 | B8JG-1131-1 |
| 0 Offset | ▲ ⓘ 1111 | B8JG-1111-1 |

215mm [8.46"] Arm Length

| Series | Arm Style | Model |
|------------|-----------|-------------|
| 120 Offset | ▲ ⓘ 1172 | B8JG-1172-1 |
| 70 Offset | ▲ ⓘ 1152 | B8JG-1152-1 |
| 25 Offset | ▲ ⓘ 1132 | B8JG-1132-1 |
| 0 Offset | ▲ • 1112 | B8JG-1112-1 |

245mm [9.65"] Arm Length

| Series | Arm Style | Model |
|------------|-----------|-------------|
| 120 Offset | ▲ ⓘ 1173 | B8JG-1173-1 |
| 70 Offset | ▲ ⓘ 1153 | B8JG-1153-1 |
| 25 Offset | ▲ ⓘ 1133 | B8JG-1133-1 |
| 0 Offset | ▲ ⓘ 1113 | B8JG-1113-1 |

275mm [10.83"] Arm Length

| Series | Arm Style | Model |
|------------|-----------|-------------|
| 120 Offset | ▲ ⓘ 1174 | B8JG-1174-1 |
| 70 Offset | ▲ ⓘ 1154 | B8JG-1154-1 |
| 25 Offset | ▲ • 1134 | B8JG-1134-1 |
| 0 Offset | ▲ ⓘ 1114 | B8JG-1114-1 |

305mm [12.00"] Arm Length

| Series | Arm Style | Model |
|------------|-----------|-------------|
| 120 Offset | ▲ ⓘ 1175 | B8JG-1175-1 |
| 70 Offset | ▲ • 1155 | B8JG-1155-1 |
| 25 Offset | ▲ ⓘ 1135 | B8JG-1135-1 |
| 0 Offset | ▲ ⓘ 1115 | B8JG-1115-1 |

335mm [13.19"] Arm Length

| Series | Arm Style | Model |
|------------|-----------|-------------|
| 120 Offset | ▲ ⓘ 1176 | B8JG-1176-1 |
| 70 Offset | ▲ ⓘ 1156 | B8JG-1156-1 |
| 25 Offset | ▲ ⓘ 1136 | B8JG-1136-1 |
| 0 Offset | ▲ ⓘ 1116 | B8JG-1116-1 |

365mm [14.37"] Arm Length

| Series | Arm Style | Model |
|------------|-----------|-------------|
| 120 Offset | ▲ ⓘ 1177 | B8JG-1177-1 |
| 70 Offset | ▲ ⓘ 1157 | B8JG-1157-1 |
| 25 Offset | ▲ ⓘ 1137 | B8JG-1137-1 |
| 0 Offset | ▲ ⓘ 1117 | B8JG-1117-1 |

395mm [15.55"] Arm Length

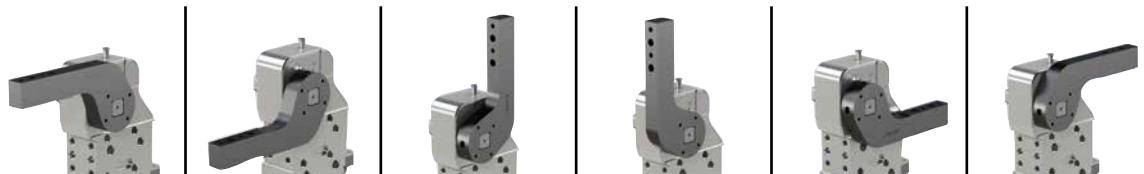
| Series | Arm Style | Model |
|------------|-----------|-------------|
| 120 Offset | ▲ ⓘ 1178 | B8JG-1178-1 |
| 70 Offset | ▲ • 1158 | B8JG-1158-1 |
| 25 Offset | ▲ ⓘ 1138 | B8JG-1138-1 |
| 0 Offset | ▲ • 1118 | B8JG-1118-1 |

▲ Common in North America

(*) STANDARD ARM OFFERING

ⓘ NON-STANDARD ARM OFFERING (extended leadtimes apply)

Maximum Opening Angle (shown in locked position)

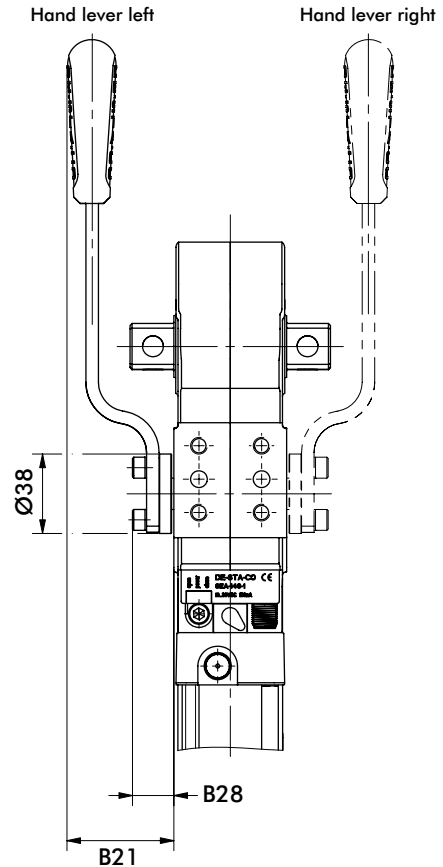
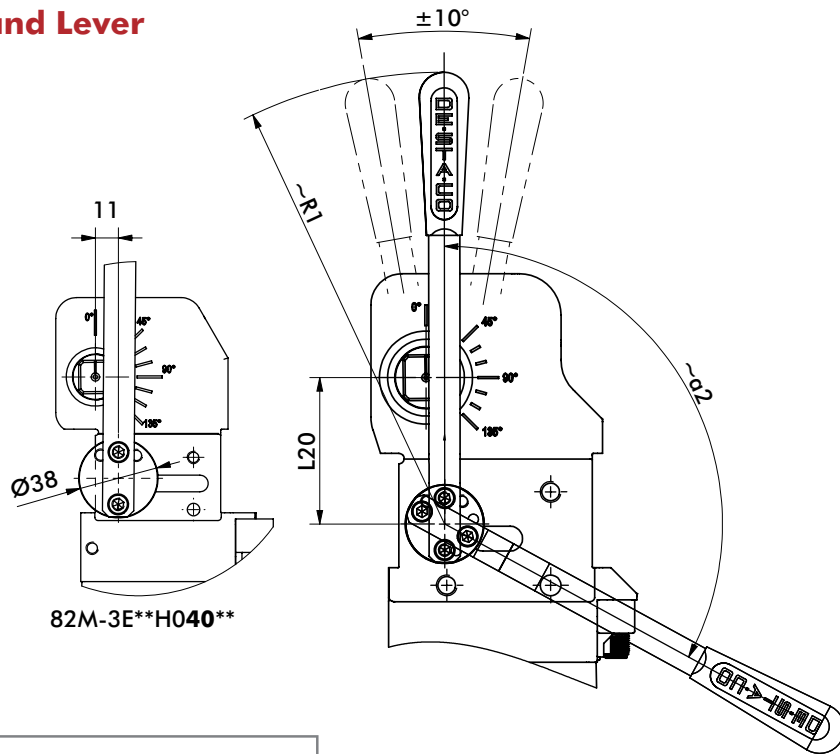


| Arm Styles | 1110 - 1118 | 1130 - 1138 | 1150 - 1158 | 1170 - 1178 | 1190 - 1198 | 1210 - 1218 |
|-------------|-------------|-------------|-------------|-------------|-------------|-------------|
| 1110 - 1118 | 135° | 135° | 100° | 100° | N/A | N/A |
| 1130 - 1138 | 135° | N/A | 60° | 120° | N/A | 30° |
| 1150 - 1158 | 125° | N/A | 35° | 135° | N/A | 55° |
| 1170 - 1178 | 115° | N/A | 25° | 135° | N/A | 80° |

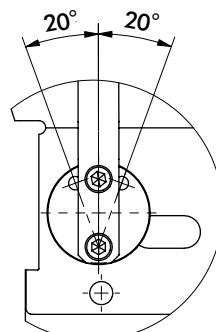
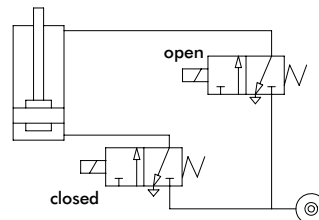
82M-3E ACCESSORIES

Pneumatic Power Clamps | Dimensions | Technical Specifications

Hand Lever



Pneumatic circuit required for manual and pneumatic actuation.



Hand lever can be mounted in 3 positions



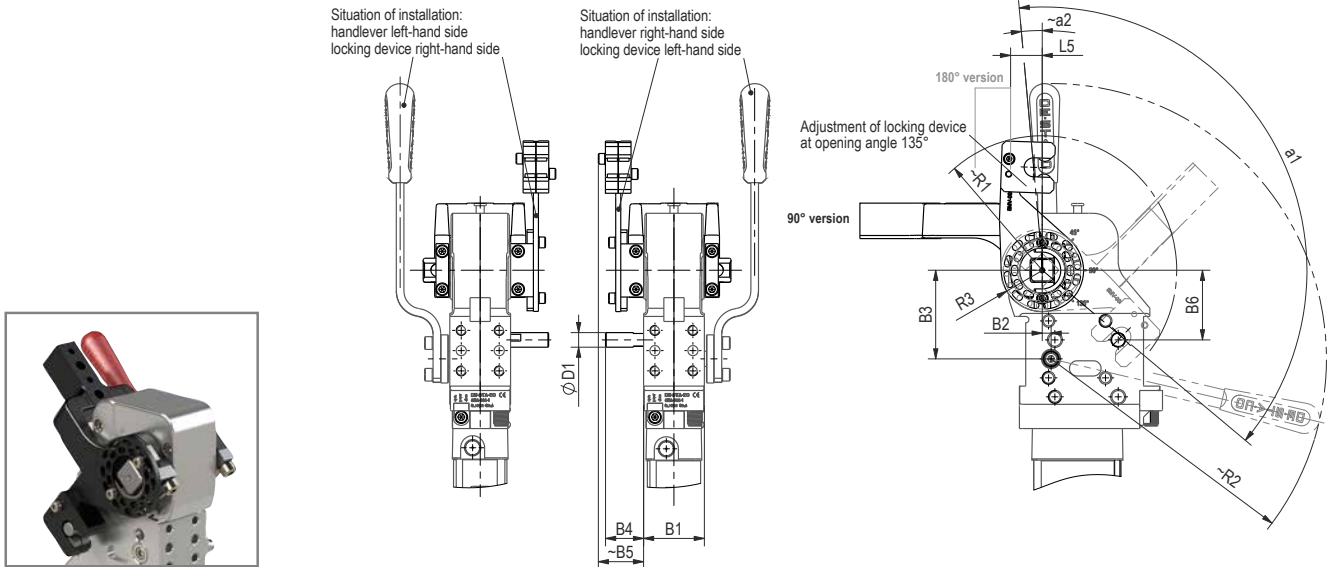
Hand lever position is adjustable to ± 20 degrees for improved ergonomics.

| Model No. | Swivel Angle $\alpha 2$ (with reference to opening angle of clamp arm) | | | | | | | | | | | | | |
|----------------|---|-----|------|-----|-----|-----|-----|-----|-----|-----|-----|------|------|------|
| | B21 | B28 | L20 | ~R1 | 0° | 15° | 30° | 45° | 60° | 75° | 90° | 105° | 120° | 135° |
| 82M-3E..H040.. | 27 | 24 | 48,5 | 190 | 0° | 31° | 41° | 49° | 58° | 69° | 88° | 113° | 134° | 144° |
| 82M-3E..H05... | 52 | 20 | 70 | 218 | 1° | 32° | 40° | 48° | 55° | 63° | 72° | 83° | 95° | 105° |
| 82M-3E..H06.. | 52 | 20 | 70,5 | 218 | 0° | 30° | 39° | 47° | 56° | 66° | 79° | 94° | 108° | 119° |
| 82M-3E..H08.. | 56 | 24 | 82 | 268 | -1° | 28° | 37° | 45° | 53° | 63° | 75° | 92° | 107° | 117° |

82M-3E ACCESSORIES

Pneumatic Power Clamps | Dimensions | Technical Specifications

Locking Device for Hand Lever

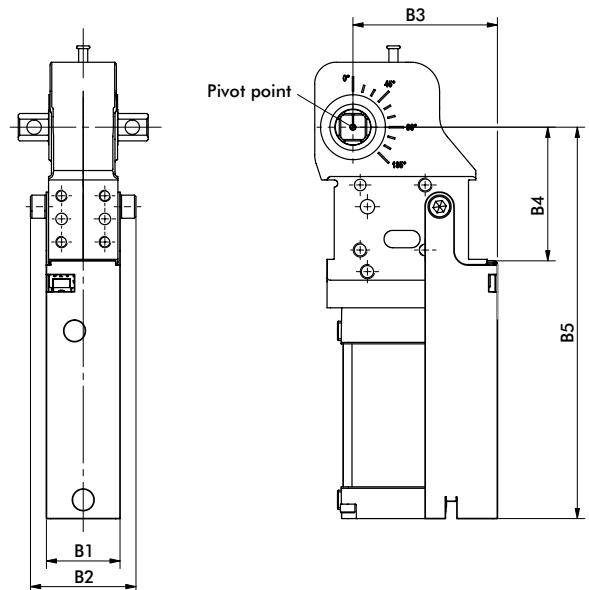


| Order No. | For Model | B1 | B2 | B3 | B4 | B5 | B6 | ØD1 | R1 | R2 | R3 | a1 max. | a2 | Limited setting options at 180° version! Height of the clamping arm: L5 | | |
|------------|----------------|----|----|------|----|----|------|------|-----|-----|------|---------|----|--|----------|----------|
| | | | | | | | | | | | | | | 00 | 15 | 25 |
| 82ZB-162-1 | 82M-3E..H040.. | 50 | 11 | 48,5 | 25 | 31 | 38,5 | 10,5 | 81 | 160 | 27 | | 6 | max.105° | max.120° | max.120° |
| 82ZB-084-1 | 82M-3E..H05... | 48 | 7 | 70 | 30 | 36 | 55 | 11,5 | 107 | 218 | 32,5 | 135° | 6 | - | max.105° | max.120° |
| 82ZB-039-1 | 82M-3E..H06... | 54 | 9 | 70,5 | 30 | 36 | 55 | 11,5 | 107 | 210 | 32,5 | | 6 | - | max.105° | max.120° |



Using of the anti-ramming device is only possible with 82M-3E.....00 and 82M-3E.....L8

Anti-Ramming Device



| Order No. | For Model | B1 | B2 | B3 | B4 | B5 |
|-----------|----------------|----|-------|------|-------|-------|
| 8AB-151-1 | 82M-3E....40.. | 53 | 66,5 | 89,5 | 65,5 | 210,5 |
| 8AB-152-1 | 82M-3E....5... | 51 | 73 | 100 | 92,5 | 271 |
| 8AB-153-1 | 82M-3E....6... | 57 | 79 | 120 | 104,5 | 296 |
| 8AB-154-1 | 82M-3E....8... | 79 | 105,5 | 148 | 142,5 | 360 |

Cable and Connector

| Order No. | Description |
|-----------|--|
| 8EL-002-1 | M12x1, Straight, 5-pin Connector with 5m Cable |
| 8EL-003-1 | M12x1, Angular, 4-pin Connector with 5m Cable |

