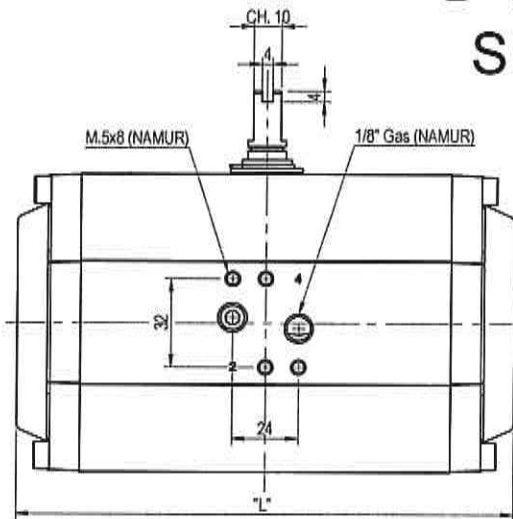
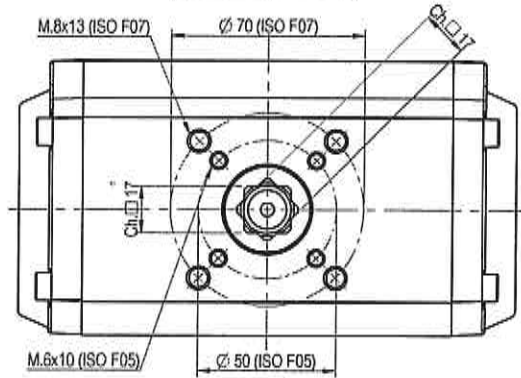
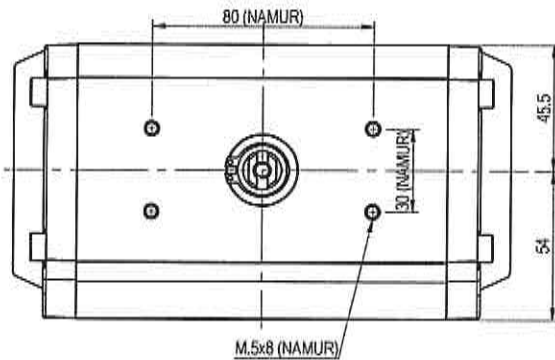
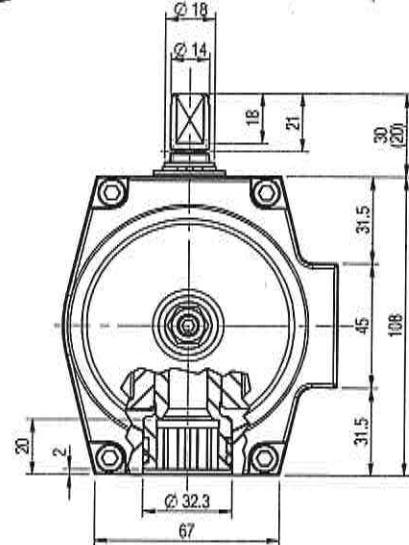


## GTK. 83

### SLS/DLS



Raccordi a norme NAMUR  
NAMUR standard ports



| GTK.83 x<br>L = mm | Lunghezze Lengths |      |      |
|--------------------|-------------------|------|------|
|                    | 90°               | 120° | 180° |
|                    | 180               | 205  | 268  |

| GTK.83 x<br>N.it | Consumi Consumption |       |       |       |
|------------------|---------------------|-------|-------|-------|
|                  | 90°                 | 120°  | 180°  | 90°K6 |
|                  | 0,880               | 1,000 | 1,630 | 0,450 |

| GTK.83 x<br>Kg | Pesi Weights |       |       |       |
|----------------|--------------|-------|-------|-------|
|                | 90°          | 120°  | 180°  | 90°K6 |
|                | 2,500        | 2,950 | 3,500 | 2,950 |

90° K6 = Semplice effetto con 12 cartucce molla  
90° K6 = Spring return with 12 spring cartridges

Pesi riferiti a pignoni con sporgenza 30 mm.  
Weights referred to protrusion shafts 30 mm.

Coppie torcenti  
Attuatori a doppio effetto

| Bar | 2    | 2,5  | 3    | 3,5  | 4    | 4,5  | 5    | 5,6  | 6    | 6,5  | 7     | 8     | 9     | 10    |
|-----|------|------|------|------|------|------|------|------|------|------|-------|-------|-------|-------|
| Nm. | 29,0 | 36,2 | 43,5 | 50,7 | 58,0 | 65,2 | 72,5 | 81,2 | 87,0 | 94,2 | 101,5 | 116,0 | 130,5 | 145,0 |

Air to air  
Actuator torques

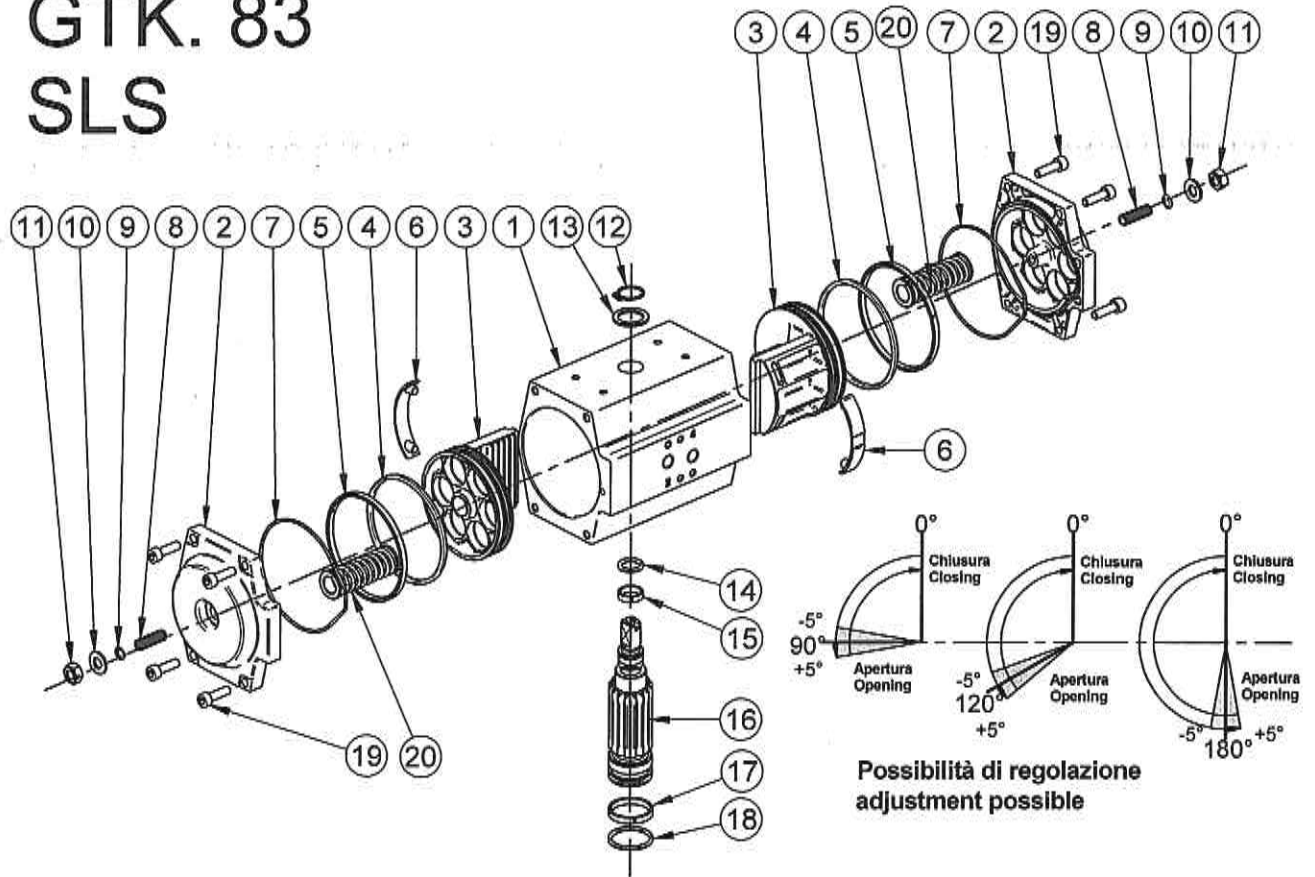
Coppie torcenti in Nm. a 0° e a 90° della posizione del pignone in funzione della pressione di alimentazione  
Spring return actuators torque values in Nm. at 0° and 90° shaft position selon air supply pressure.

| Coppie molle Mollé |       | Spring torque Spring |       | 2 bar |       | 3 bar |       | 4 bar |       | 5 bar |       | 5,6 bar |       | 6 bar |       | 7 bar |       | 8 bar |       | 9 bar |       | 10 bar |  |
|--------------------|-------|----------------------|-------|-------|-------|-------|-------|-------|-------|-------|-------|---------|-------|-------|-------|-------|-------|-------|-------|-------|-------|--------|--|
| 0°                 | 90°   | N°                   | 0°    | 90°   | 0°    | 90°   | 0°    | 90°   | 0°    | 90°   | 0°    | 90°     | 0°    | 90°   | 0°    | 90°   | 0°    | 90°   | 0°    | 90°   | 0°    | 90°    |  |
| 3,61               | 5,60  | 1                    | 25,31 | 23,29 | 39,81 | 37,78 | 54,30 | 52,28 | 68,80 | 66,78 | 77,50 | 75,48   | 83,30 | 81,27 | 97,79 | 95,77 | 112,3 | 110,3 | 126,8 | 124,8 | 141,3 | 139,3  |  |
| 7,23               | 11,19 | 2                    | 21,62 | 17,58 | 36,12 | 32,07 | 50,62 | 46,57 | 65,11 | 61,07 | 73,81 | 69,77   | 79,61 | 75,56 | 94,11 | 90,06 | 108,6 | 104,6 | 123,1 | 119,1 | 137,6 | 133,6  |  |
| 10,84              | 16,79 | 3                    | 17,94 | 11,87 | 32,43 | 26,36 | 46,93 | 40,88 | 61,43 | 55,36 | 70,13 | 64,06   | 75,92 | 69,86 | 90,42 | 84,35 | 104,9 | 98,85 | 119,4 | 113,3 | 133,9 | 127,8  |  |
| 14,46              | 22,39 | 4                    | 14,25 | 6,16  | 28,75 | 20,65 | 43,24 | 35,15 | 57,74 | 49,65 | 66,44 | 58,35   | 72,24 | 64,15 | 88,73 | 78,64 | 101,2 | 93,14 | 115,7 | 107,6 | 130,2 | 122,1  |  |
| 18,07              | 27,99 | 5                    |       |       | 25,06 | 14,95 | 39,56 | 29,44 | 54,05 | 43,94 | 62,75 | 52,64   | 68,55 | 58,44 | 83,05 | 72,93 | 97,55 | 87,43 | 112,0 | 101,9 | 126,5 | 116,4  |  |
| 21,68              | 33,58 | 6                    |       |       | 21,37 | 9,24  | 35,87 | 23,73 | 50,37 | 38,23 | 59,07 | 46,93   | 64,86 | 52,73 | 79,36 | 67,23 | 93,86 | 81,72 | 108,4 | 96,22 | 122,9 | 110,7  |  |
| 25,30              | 39,18 | 7                    |       |       | 17,69 | 3,53  | 32,18 | 18,02 | 46,68 | 32,52 | 55,38 | 41,22   | 61,18 | 47,02 | 75,68 | 61,52 | 90,17 | 76,01 | 104,7 | 90,51 | 119,2 | 105,0  |  |
| 28,91              | 44,78 | 8                    |       |       |       |       | 28,50 | 12,31 | 42,99 | 26,81 | 51,69 | 35,51   | 57,49 | 41,31 | 71,99 | 55,81 | 86,49 | 70,30 | 101,0 | 84,80 | 115,5 | 99,30  |  |
| 32,53              | 50,38 | 9                    |       |       |       |       | 24,81 | 6,61  | 39,31 | 21,10 | 48,01 | 29,80   | 53,81 | 35,60 | 68,30 | 50,10 | 82,80 | 64,59 | 97,30 | 79,09 | 111,8 | 93,59  |  |
| 36,14              | 55,97 | 10                   |       |       |       |       |       |       | 35,62 | 15,39 | 44,32 | 24,09   | 50,12 | 29,89 | 64,62 | 44,39 | 79,11 | 58,89 | 93,61 | 73,38 | 108,1 | 87,88  |  |
| 39,76              | 61,57 | 11                   |       |       |       |       |       |       | 31,94 | 9,68  | 40,63 | 18,38   | 46,43 | 24,18 | 60,93 | 38,68 | 75,43 | 53,18 | 89,92 | 67,67 | 104,4 | 82,17  |  |
| 43,37              | 67,17 | 12                   |       |       |       |       |       |       | 28,25 | 3,98  | 36,95 | 12,67   | 42,75 | 18,47 | 57,24 | 32,97 | 71,74 | 47,47 | 86,24 | 61,96 | 100,7 | 76,46  |  |

80 PSIG

100 PSIG

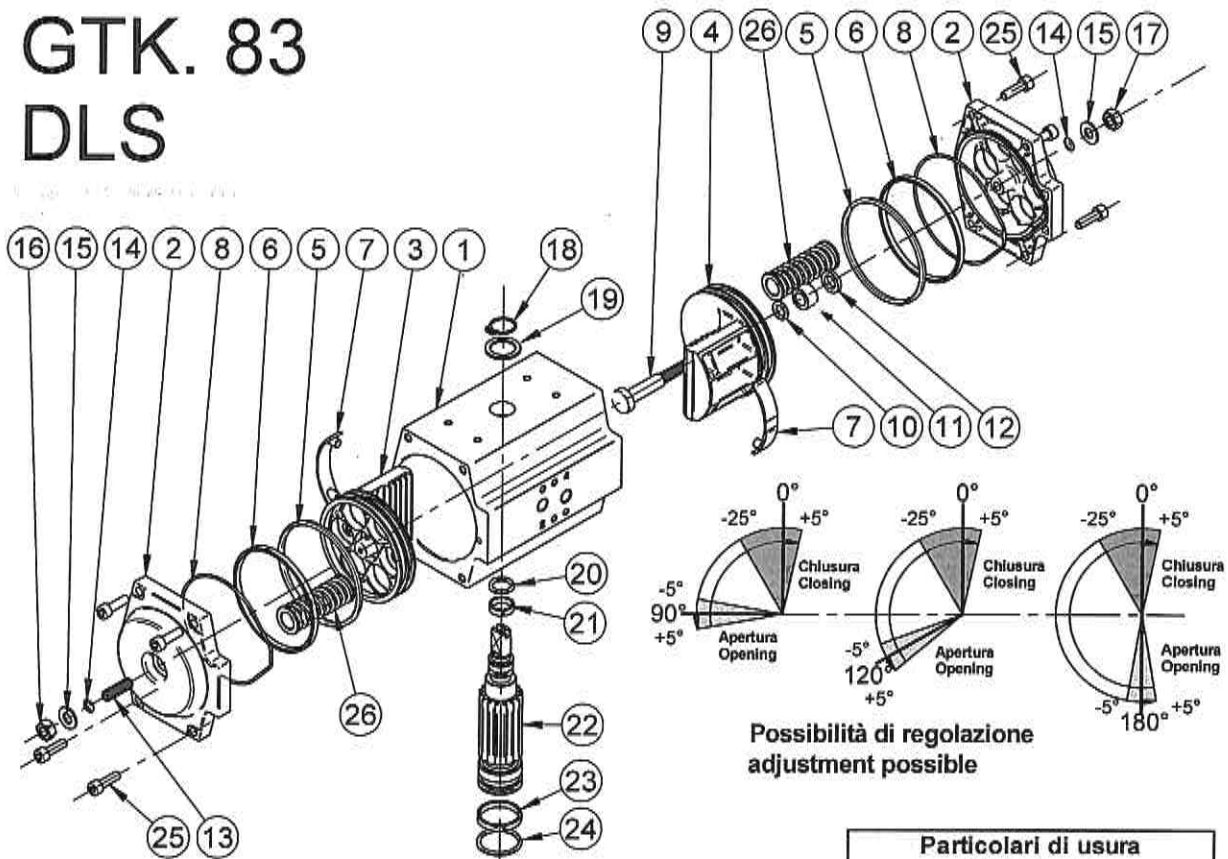
# GTK. 83 SLS



## Particolari di usura Wear parts

| LISTA RICAMBI |                                |      | SPARE PARTS LIST             |   |
|---------------|--------------------------------|------|------------------------------|---|
| Pos.          | Descrizione                    | Q.ty | Disponibilità - Availability | Description                               |
| 1             | Corpo attuatore                | 1    | 90° - 120° - 180°            | Actuator body                             |
| 2             | Testata attuatore              | 2    |                              | Actuator end cap                          |
| 3             | Pistone standard               | 2    | 90° - 120° - 180°            | Standard piston                           |
| 4             | O-Ring tenuta pistone          | 2    |                              | Piston sealing O-Ring                     |
| 5             | Anello guida pistone           | 2    |                              | Piston guide ring                         |
| 6             | Pattino guida pistone          | 2    |                              | Piston guide skate                        |
| 7             | O-Ring tenuta testata          | 2    |                              | End cap sealing O-Ring                    |
| 8             | Grano di registro esterno      | 2    |                              | External travel stop screw                |
| 9             | O-Ring tenuta registri         | 2    |                              | Stop sealing O-Ring                       |
| 10            | Rondella premi O-Ring registri | 2    |                              | O-Ring stop washer                        |
| 11            | Dado ferma registro esterno    | 2    |                              | External stop nut                         |
| 12            | Anello elastico ferma pignone  | 1    |                              | Pinion stop circlips                      |
| 13            | Rondella superiore pignone     | 1    |                              | Upper pinion washer                       |
| 14            | O-Ring sup. tenuta pignone     | 1    |                              | Upper pinion O-Ring sealing               |
| 15            | Anello sup. guida pignone      | 1    |                              | Upper pinion guide ring                   |
| 16            | Pignone                        | 1    |                              | Pinion                                    |
| 17            | Anello inf. guida pignone      | 1    |                              | Lower pinion guide ring                   |
| 18            | O-ring inf. tenuta pignone     | 1    |                              | Lower pinion O-Ring sealing               |
| 19            | Viti ferma testate             | 8    |                              | End cap screws                            |
| 20            | Cartuccia molla                | 0+12 |                              | Spring cartridges                         |
|               | Descrizione                    | Q.ty | Description                  | Posizione (quantità) - Item (quantity)    |
|               | Kit testata                    | 1    | Cap kit                      | 2(1)-7(1)-19(4)                           |
|               | Kit pistone standard           | 1    | Standard piston kit          | 3(1)-4(1)-5(1)-6(1)                       |
|               | Kit Pignone                    | 1    | Pinion kit                   | 12(1)-13(1)-14(1)-15(1)-16(1)-17(1)-18(1) |
|               | Kit registro esterno           | 1    | External stop kit            | 8(1)-9(1)-10(1)-11(1)                     |
|               | Serie O-Ring                   | 1    | O-Ring set                   | 4(2)-7(2)-9(2)-14(1)-18(1)                |
|               | Serie guide                    | 1    | Guide set                    | 5(2)-6(2)-15(1)-17(1)                     |

# GTK. 83 DLS



**Particolari di usura  
Wear parts**

| LISTA RICAMBI |                                      |      | SPARE PARTS LIST             |   |
|---------------|--------------------------------------|------|------------------------------|---|
| Pos.          | Descrizione                          | Q.ty | Disponibilità - Availability | Description                               |
| 1             | Corpo attuatore                      | 1    | 90° - 120° - 180°            | Actuator body                             |
| 2             | Testata attuatore                    | 2    |                              | Actuator end cap                          |
| 3             | Pistone cieco                        | 1    | 90° - 120° - 180°            | Blind piston                              |
| 4             | Pistone forato                       | 1    | 90° - 120° - 180°            | Drilled piston                            |
| 5             | O-Ring tenuta pistone                | 2    |                              | Piston sealing O-Ring                     |
| 6             | Anello guida pistone                 | 2    |                              | Piston guide ring                         |
| 7             | Patino guida pistone                 | 2    |                              | Piston guide skate                        |
| 8             | O-Ring tenuta testata                | 2    |                              | End cap sealing O-Ring                    |
| 9             | Asta di registro interno             | 1    | 90° - 120° - 180°            | Internal travel stop rod                  |
| 10            | O-Ring tenuta ferma pistone          | 1    |                              | Internal stop rod sealing O-Ring          |
| 11            | Bussola guida ferma pistone          | 1    |                              | Internal stop rod guide bush              |
| 12            | Anello ferma bussola guida           | 1    |                              | Rod guide bush stop washer                |
| 13            | Grano di registro esterno            | 1    |                              | External travel stop screw                |
| 14            | O-Ring tenuta registri               | 2    |                              | Stop sealing O-Ring                       |
| 15            | Rondella premi O-Ring registri       | 2    |                              | O-Ring stop washer                        |
| 16            | Dado ferma registro esterno          | 1    |                              | External stop nut                         |
| 17            | Dado ferma registro interno (giallo) | 1    |                              | Internal stop nut (yellow)                |
| 18            | Anello elastico ferma pignone        | 1    |                              | Pinion stop circlips                      |
| 19            | Rondella superiore pignone           | 1    |                              | Upper pinion washer                       |
| 20            | O-Ring sup. tenuta pignone           | 1    |                              | Upper pinion O-Ring sealing               |
| 21            | Anello sup. guida pignone            | 1    |                              | Upper pinion guide ring                   |
| 22            | Pignone                              | 1    |                              | Pinion                                    |
| 23            | Anello inf. guida pignone            | 1    |                              | Lower pinion guide ring                   |
| 24            | O-ring inf. tenuta pignone           | 1    |                              | Lower pinion O-Ring sealing               |
| 25            | Viti ferma testate                   | 8    |                              | End cap screws                            |
| 26            | Cartuccia molla                      | 0+12 |                              | Spring cartridges                         |
|               | Descrizione                          | Q.ty | Description                  | Posizione (quantità) - Item (quantity)    |
|               | Kit testata                          | 1    | Cap kit                      | 2(1)-8(1)-25(4)                           |
|               | Kit pistone cieco                    | 1    | Blind piston kit             | 3(1)-5(1)-6(1)-7(1)                       |
|               | Kit pistone forato                   | 1    | Drilled piston kit           | 4(1)-5(1)-6(1)-7(1)-10(1)-11(1)           |
|               | Kit Pignone                          | 1    | Pinion kit                   | 18(1)-19(1)-20(1)-21(1)-22(1)-23(1)-24(1) |
|               | Kit registro interno                 | 1    | Internal stop kit            | 9(1)-14(1)-15(1)-17(1)                    |
|               | Kit registro esterno                 | 1    | External stop kit            | 13(1)-14(1)-15(1)-16(1)                   |
|               | Serie O-Ring                         | 1    | O-Ring set                   | 5(2)-8(2)-14(2)-20(1)-24(1)               |
|               | Serie guide                          | 1    | Guide set                    | 6(2)-7(2)-21(1)-23(1)                     |