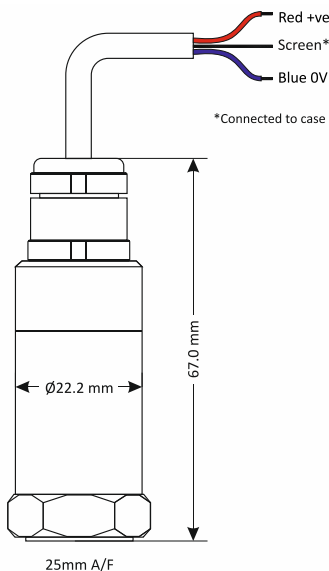


Submersible, general purpose, top-entry, constant current accelerometer with isolated AC output. Made from robust stainless steel throughout for long term vibration analysis in harsh underwater environments and areas with constant moisture or condensation. Sealed to IP68 and includes integral heavy duty polyurethane cable. Available with a wide range of mountings.

MTN/1100W



Dimensions



Applications

- Submersible pumps
- Roll monitors
- Paper machinery

Technical

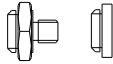
| | |
|------------------------|--|
| Standard sensitivity | 100mV/g $\pm 10\%$ nominal @ 80Hz |
| Frequency response | 2Hz to 10kHz $\pm 5\%$ (-3dB @ 0.8Hz) |
| Measurement range | $\pm 50g$ |
| Mounted base resonance | 18kHz min |
| Isolation | Base isolated |
| Transverse sensitivity | Less than 5% |
| Electrical noise | 0.1mg max |
| Current range | 0.5 to 8mA |
| Bias voltage | 12V DC (nominal) |
| Operating temp range | -25 to 90°C |
| Case material | Stainless steel |
| Cable | Integral polyurethane - length to be specified at point of order |
| Maximum cable length | 100m |
| Mounting torque | 8Nm |
| Weight | 120g (nominal) |
| Sealing | IP68 |
| Submersible depth | 100m max (10 bar) |

Studs and grub screws



| Part # | From | To |
|--------|----------------|----------------|
| MS036 | ¼"-28 UNF Male | M6 Male |
| MS039 | ¼"-28 UNF Male | 10-32 UNF Male |
| MS067 | ¼"-28 UNF Male | M8 Male |
| MS068 | ¼"-28 UNF Male | ¼"-28 UNF Male |
| MS124 | ¼"-28 UNF Male | M10 Male |
| MS132 | ¼"-28 UNF Male | M12 Male |

Quick fit adapters

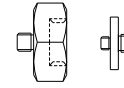


| Part # | From | To |
|--------|----------|----------------|
| MS001 | Q/F Male | Glue base |
| MS002 | Q/F Male | M8 Male |
| MS003 | Q/F Male | M10 Male |
| MS004 | Q/F Male | ¼"-28 UNF Male |
| MS006 | Q/F Male | M6 Male |

Options

| Part # | Mounting |
|---------------|------------------|
| MTN/1100W-xx | ¼"-28 UNF Female |
| MTN/1100WQ-xx | Q/F Female |

Mounting adapters



| Part # | From | To |
|--------|----------------|------------------|
| MS005 | Q/F Male | ¼"-28 UNF Female |
| MS007 | Q/F Male | 10-32 UNF Female |
| MS008 | Q/F Male | M8 Female |
| MS011 | ¼"-28 UNF Male | Q/F Female |
| MS013 | ¼"-28 UNF Male | Glue base |
| MS033 | ¼"-28 UNF Male | Q/F Female |
| MS038 | Q/F Male | M8 Conical Male |
| MS061 | ¼"-28 UNF Male | 10-32 UNF Male |
| MS079 | ¼"-28 UNF Male | Q/F Female |
| MS106 | Q/F Male | M10 Female |

Isolation

| Part # | From | To |
|--------|----------------|------------------|
| MS034 | ¼"-28 UNF Male | ¼"-28 UNF Female |
| MS093 | Q/F Male | M8 Male |

System connection

