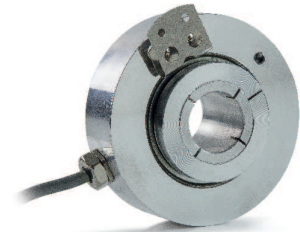


MAIN FEATURES

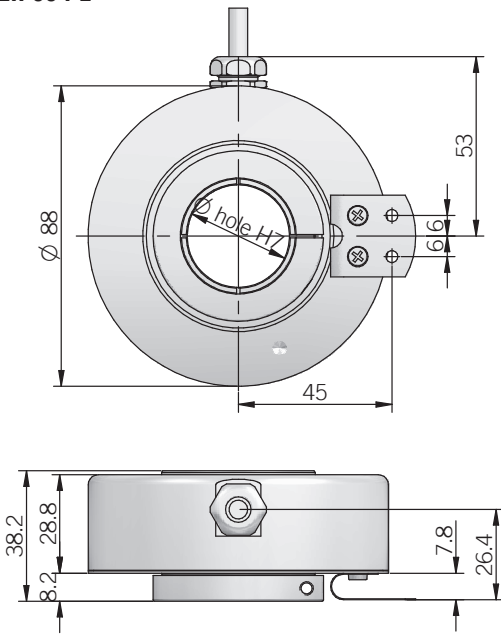
Cost effective encoder for asynchronous motors, suitable for elevators and stage machinery.

- 3 channel encoder (A / B / Z) up to 2500 ppr
- Power supply up to +28 VDC with several electronic interfaces available
- Up to 105 kHz output frequency
- Cable output, connector available on cable end
- Sturdy mechanic
- Up to 40 mm bore diameter
- Shaft fixing by collar clamping



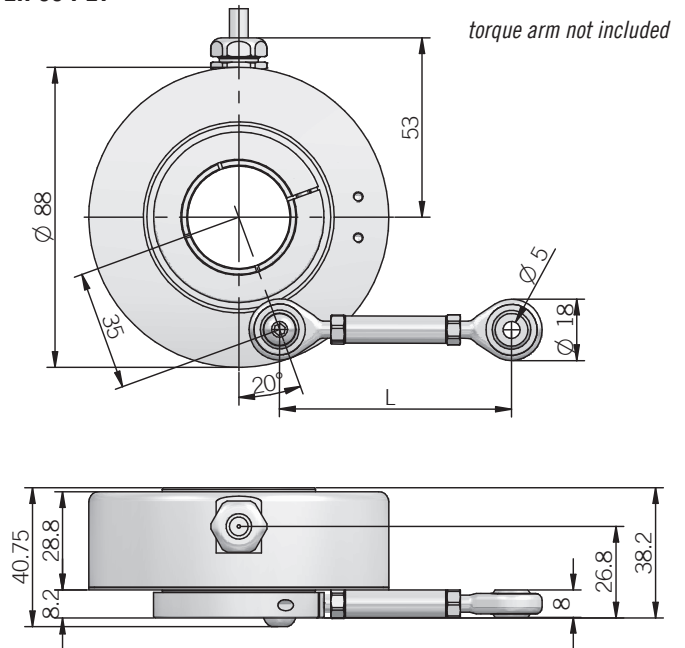
ORDERING CODE	EH	88PE	1024	S	5/28	P	30	X	3	PR	.XXX
<p>SERIES incremental encoder series EH</p> <p>MODEL through hollow shaft with spring 88PE through hollow shaft for torque arm fixing 88PET <i>see accessories for torque arm ordering codes</i></p> <p>RESOLUTION ppr from 500 to 2500 <i>see table for pulses availability</i></p> <p>ZERO PULSE without zero pulse S with zero pulse Z</p> <p>POWER SUPPLY (with L electronic interface) 5 V DC 5 (with L or PC electronic interface) 8 ... 24 V DC 8/24 5 ... 28 V DC 5/28</p> <p>ELECTRONIC INTERFACE push-pull P push-pull protected (AEIC-7272) PC line driver L power supply 5/28V - output RS-422 RS</p> <p>BORE DIAMETER mm 25 mm 30 (mod. PE) mm 35 (mod. PE) mm 38 (mod. PE) mm 40</p> <p>ENCLOSURE RATING IP 54 X</p> <p>MAX ROTATION SPEED 3000 rpm 3</p> <p>OUTPUT TYPE radial cable (standard length 0,5 m) PR</p> <p>VARIANT custom version XXX</p>											

EH 88 PE



dimensions in mm

EH 88 PET



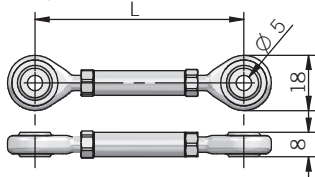
torque arm not included

MECHANICAL SPECIFICATIONS

Bore diameter	ø 25 / 30 / 35 / 38 / 40 mm
Enclosure rating	IP 54 (IEC 60529)
Max rotation speed	3000 rpm
Shock	50 G, 11 ms (IEC 60068-2-27)
Vibration	10 G, 10 ... 2000 Hz (IEC 60068-2-6)
Moment of inertia	45 x 10 ⁻⁶ kgm ²
Starting torque (at +20°C / +68°F)	< 0,02 Nm
Body material	EN-AW 2011 aluminum
Shaft material	up to 38 mm: EN-AW 2011 aluminum 40 mm: 1.4305/AISI 303 stainless steel
Housing material	EN-AW 2011 aluminum
Bearings	2 ball bearings
Bearings life	10 ⁹ revolutions
Operating temperature	-30° ... +85°C (-22° ... +185°F)
Storage temperature	-30° ... +85°C (-22° ... +185°F)
Fixing torque for collar clamping	1 Nm recommended
Weight	350 g (12,35 oz)

ACCESSORIES

Torque arm (mod. PET)



Length	Ordering code
L = 80 ± 10mm	SN5A30 (P/N 94010061)
L = 110 ± 10mm	SN5A60 (P/N 94010070)
L = 140 ± 10mm	SN5A90 (P/N 94010071)

With torque arm n° 2 M5 x 12 UNI ISO 7380 are included

ELECTRICAL SPECIFICATIONS

Resolution	from 500 to 2500 ppr
Power supply	5 = 4,5 ... 5,5 V DC 5/28 = 4,75 ... 29,4 V DC 8/24 = 7,6 ... 25,2 V DC (reverse polarity protection)
Power draw without load	800 mW
Max load current	20 mA / channel
Output type*	push-pull / line driver
Max output frequency	105 kHz
Counting direction	A leads B clockwise (shaft view)
Electromagnetic compatibility	IEC 61000-6-2 IEC 61000-6-3

*output levels according to power supply, for further details please see under Technical basics section

CONNECTIONS

Function	Cable output push-pull	Cable output Line driver
+V DC	red	red
0 V	black	black
Ch. A	green	green
Ch. A-	/	brown
Ch. B	yellow	yellow
Ch. B-	/	orange
Ch. Z	blue	blue
Ch. Z-	/	white
⊥	shield	shield

RESOLUTIONS

500 - 512 - 720 - **1000** - **1024** - 1440 - 2500

please directly contact our offices for other pulses, preferred resolutions in bold