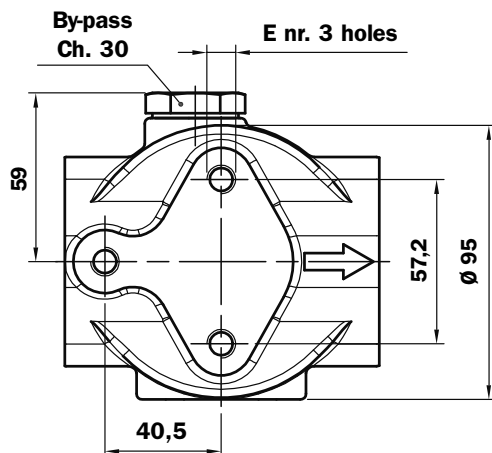
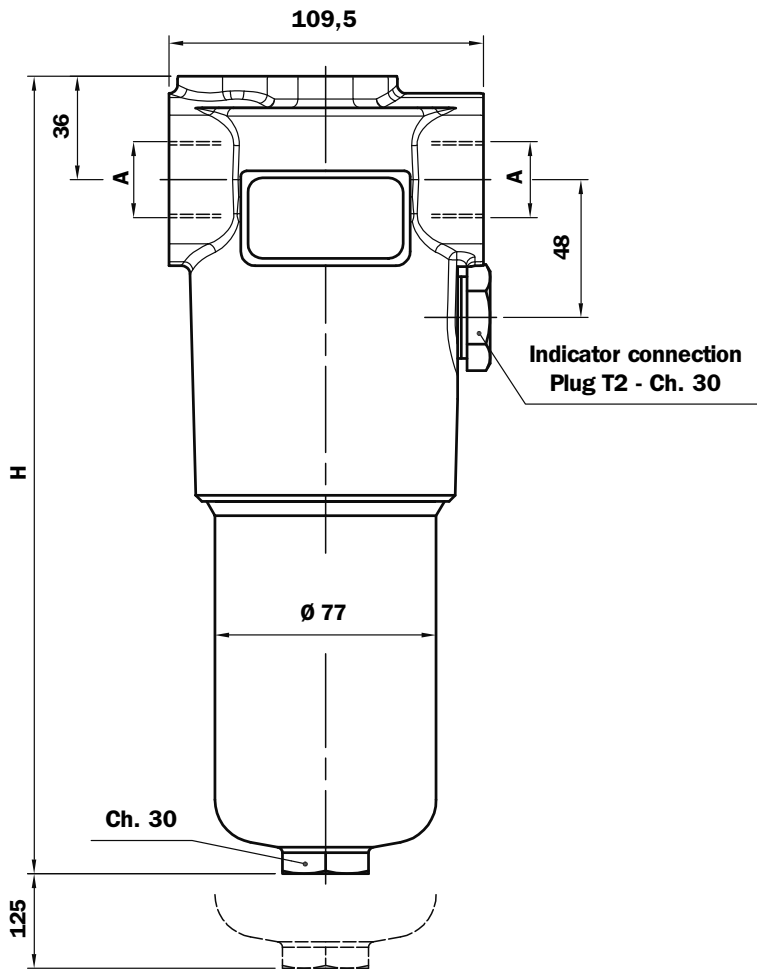


FHP135



Recommended maximum flow rate

- Pressure drop of complete filter equal to Δp 1.5 bar.
- Oil kinematic viscosity 30 mm²/s (cSt).
- Density 0.86 kg/dm³.
- Connections of filter under test G 1".

Filter element type	Flow rate l/min Series N	Flow rate l/min Series H	Filter Length
A03	69	50	1
A06	74	57	
A10	120	98	
A16	129	101	
A25	171	156	
M25	200	-	2
A03	110	91	
A06	117	110	
A10	148	136	
A16	151	139	
A25	208	175	3
M25	230	-	
A03	150	126	
A06	153	140	
A10	192	170	
A16	195	179	3
A25	213	196	
M25	232	-	

A Threaded Connections	E Depth 15 mm
G 3/4"	M10
G 1"	M10
3/4" NPT	3/8" UNC
1 NPT	3/8" UNC
SAE 12 (1 1/16" - 12 UN)	3/8" UNC
SAE 16 (1 5/16" - 12 UN)	3/8" UNC

A Flanged Connections	E Depth 15 mm
3/4" SAE 3000 psi/M	M10
1" SAE 3000 psi/M	M10
3/4" SAE 3000 psi/UNC	3/8" UNC
1" SAE 3000 psi/UNC	3/8" UNC
3/4" SAE 6000 psi/M	M10
3/4" SAE 6000 psi/UNC	3/8" UNC

Filter Length	H mm
1	260
2	373
3	448

Ordering information FHP

Filter assembly	1	2	3	4	5	6	7	8a
FHP	<input type="checkbox"/>	<input type="checkbox"/>	<input type="checkbox"/>	<input type="checkbox"/>	<input type="checkbox"/>	<input type="checkbox"/>	<input type="checkbox"/>	<input type="checkbox"/>
Example: FHP	135	1	S	A	G1	A03	H	P01

Filter element	1	2	4	6	7	8b
HP	<input type="checkbox"/>	<input type="checkbox"/>	<input type="checkbox"/>	<input type="checkbox"/>	<input type="checkbox"/>	<input type="checkbox"/>
Example: HP	135	1	A	A03	H	P01

1 - Size

- 065
- 135
- 320
- 321

2 - Filter length

- 1
- 2
- 3
- 4 (only for FHP 320-321)

3 - Valves

- S** Without bypass
- B** With bypass
- D** With bypass + chek valve*
- V** With Reverse Flow* (only for FHP 320)
- Z** With Reverse Flow + bypass (only for FHP 320)
- T** With bypass + chek valve* (only for FHP 320)

*Reduced cross-section oilways

4 - Seals

- A** NBR
- V** FPM

5 - Connections

Type	065	135	320	321
<input type="checkbox"/> G1	G 1/2"	G 3/4"	G 1 1/4"	G 1 1/4"
<input type="checkbox"/> G2	G 3/4"	G 1"	G 1 1/2"	G 1 1/2"
<input type="checkbox"/> G3	1/2" NPT	3/4" NPT	1 1/4" NPT	1 1/4" NPT
<input type="checkbox"/> G4	3/4" NPT	1" NPT	1 1/2" NPT	1 1/2" NPT
<input type="checkbox"/> G5	SAE 8	SAE 12	SAE 20	SAE 20
<input type="checkbox"/> G6	SAE 12	SAE 16	SAE 24	SAE 24
<input type="checkbox"/> F1	-	3/4" SAE 3000 PSI/M	1 1/4" SAE 3000 PSI/M	-
<input type="checkbox"/> F2	-	1" SAE 3000 PSI/M	1 1/2" SAE 3000 PSI/M	-
<input type="checkbox"/> F3	-	3/4" SAE 3000 PSI/UNC	1 1/4" SAE 3000 PSI/UNC	-
<input type="checkbox"/> F4	-	1" SAE 3000 PSI/UNC	1 1/2" SAE 3000 PSI/UNC	-
<input type="checkbox"/> F5	-	3/4" SAE 6000 PSI/M	1 1/4" SAE 6000 PSI/M	-
<input type="checkbox"/> F6	-	3/4" SAE 6000 PSI/UNC	1 1/4" SAE 6000 PSI/UNC	-

DIFFERENTIAL INDICATORS
(see page 15)

6 - Filter elements

- A03** Inorganic microfibre 3 μ
 - A06** Inorganic microfibre 6 μ
 - A10** Inorganic microfibre 10 μ
 - A16** Inorganic microfibre 16 μ
 - A25** Inorganic microfibre 25 μ
 - M25** Stainless steel mesh 25 μ (style N only)
- } 8x (c) \geq 1000
See page 10

7 - Filter elements differential pressure

- N** 20 bar
- H** 210 bar
- R** (Filter with Reverse Flow + bypass)
- S** (Filter with Reverse Flow)

8 - Options

a) Filter

- P01** MP Standard filters
- P02** Maintenance from base of housing (FHP 320 - 4 only)
- Pxx** Customer request

b) Filter element

- P01** MP Filtri standard
- Pxx** Customer request

MP Filtri - The filter functions as described in this bulletin are valid exclusively for original MP Filtri filter elements and replacement parts. All rights reserved

The data in this publication is marketing information. MP Filtri reserves the right to make changes to the product described herein at any time it deems fit in relation to technical or commercial requirements. The colors of the products shown on the cover are for illustration purposes only.

Copyright. All rights reserved.