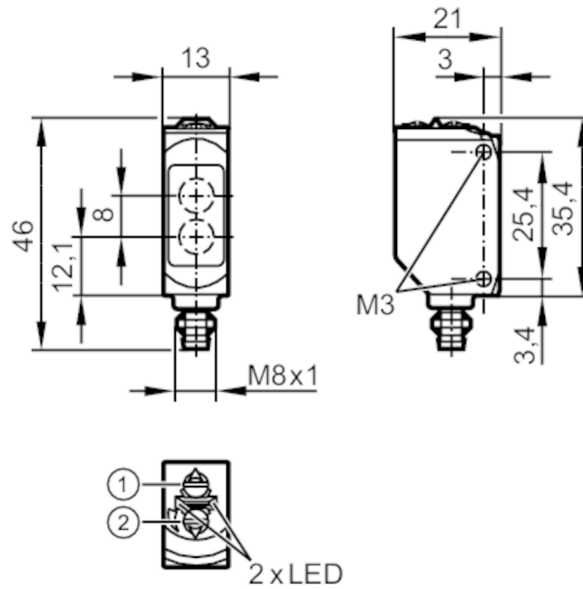


# O6T207



## Diffuse reflection sensor

O6T-FNKG/AS/4P



- 1: output function switch  
 2: potentiometer sensitivity  
 Receiver in upper lens  
 transmitter in lower lens



### Product characteristics

Type of light	red light
Housing	rectangular

### Application

Function principle	Diffuse reflection sensor
--------------------	---------------------------

### Electrical data

Operating voltage	[V]	10...30 DC
Current consumption	[mA]	16; ((24 V))
Protection class		III
Reverse polarity protection		yes
Type of light		red light
Wave length	[nm]	633

### Outputs

Electrical design		NPN
Output function		light-on/dark-on mode; (selectable)
Max. voltage drop switching output DC	[V]	2.5
Permanent current rating of switching output DC	[mA]	100
Switching frequency DC	[Hz]	1000
Short-circuit protection		yes
Type of short-circuit protection		yes (non-latching)

# O6T207



## Diffuse reflection sensor

O6T-FNKG/AS/4P

Monitoring range	
Range [mm]	5...500; (white paper 200 x 200 mm 90 % remission)
Range adjustable	yes
Max. light spot diameter [mm]	15
Light spot dimensions refer to	at maximum range
Monitoring range final value [mm]	100...500

Operating conditions	
Ambient temperature [°C]	-25...60
Protection	IP 65; IP 67

Tests / approvals	
EMC	EN 60947-5-2
MTTF [years]	897
UL approval	UL approval number E001

Mechanical data	
Weight [g]	19.6
Housing	rectangular
Dimensions [mm]	46 x 13 x 21
Material	housing: ABS; PPSU
Lens material	PMMA
Lens alignment	Side sensing
Sealing material	EPDM
Tightening torque [Nm]	0.5

Displays / operating elements		
Display	Switching status	1 x LED, yellow
	Power	1 x LED, green

Remarks	
Remarks	cULus - Class 2 source required
Pack quantity	1 pcs.

### Electrical connection

Connector: 1 x M8; coding: A; Locking: brass, coated; sealing: EPDM

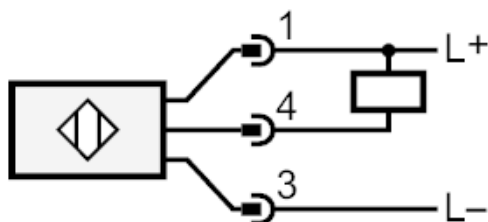




## Diffuse reflection sensor

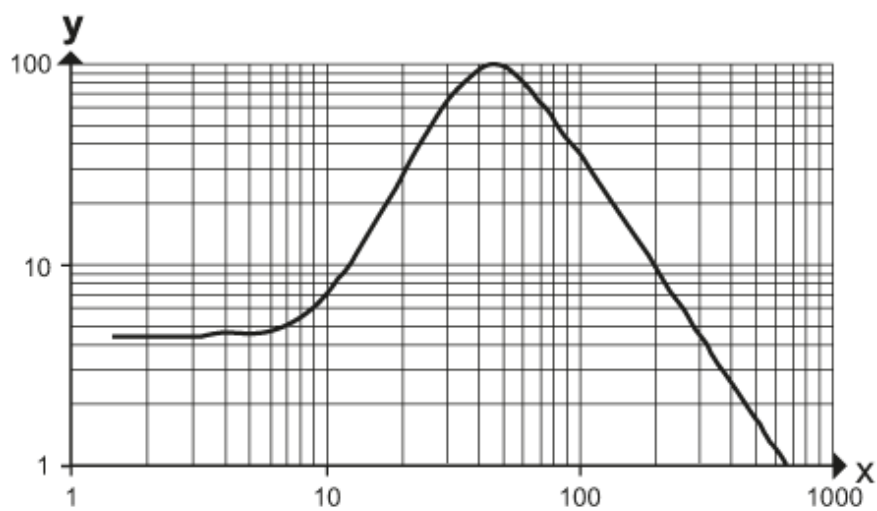
O6T-FNKG/AS/4P

### Connection



### Diagrams and graphs

excess gain graph



x: distance [mm]

y: excess gain factor