

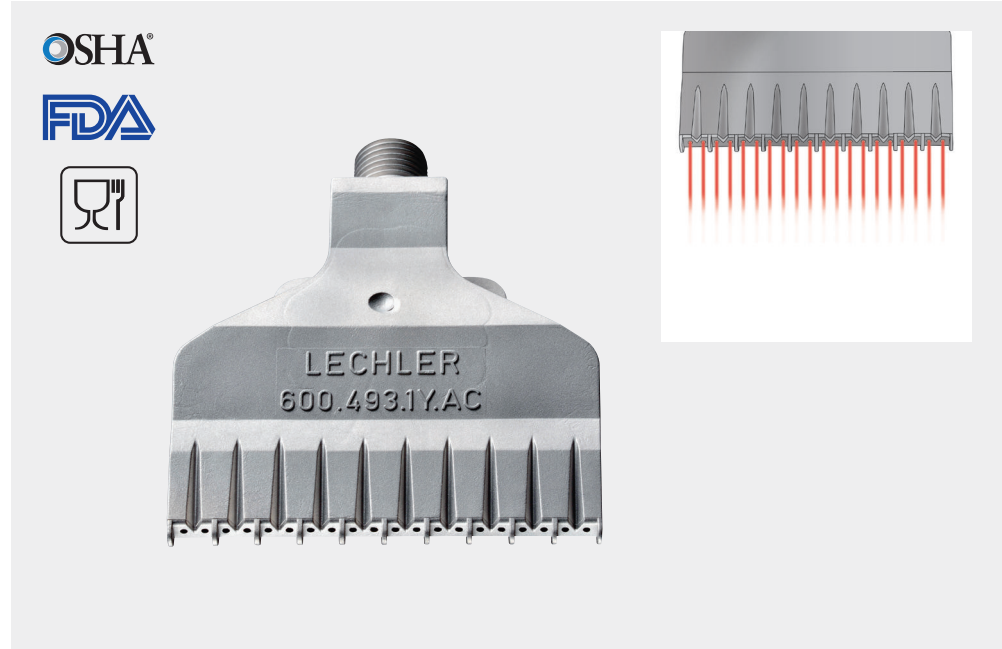


# Multi-channel flat jet nozzles for air Whisperblast®, metallic versions Series 600.493.1Y

**Extremely  
silent!**

## Series 600.493.1Y

The multi-channel flat jet nozzles of the 600.493 series generate an extremely wide, powerful air jet. Since this nozzle is made completely of stainless steel (AISI 316L), it meets even the highest thermal requirements. The projecting tips at the nozzle outlet prevent air penetration into human skin. These nozzles comply with the OSHA standards.



**Cost savings**

**34%**



**Noise reduction**

**21%**



### Material

Stainless steel  
AISI 316L



### Blowing force

4.2 N at 2 bar



### Noise level

78 db(A) at 2 bar



### Air consumption

$V_{LN}=30 \text{ m}^3/\text{h}$  at 2 bar



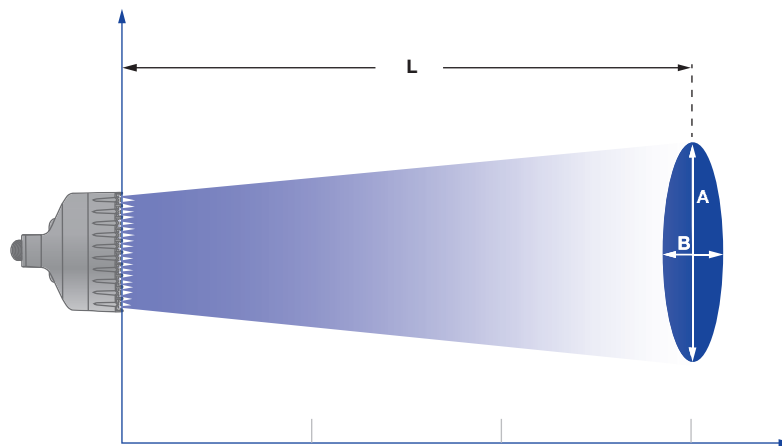
### Pressure

$P_{\text{max}} = 30 \text{ bar}$



### Max. temperature

550 °C

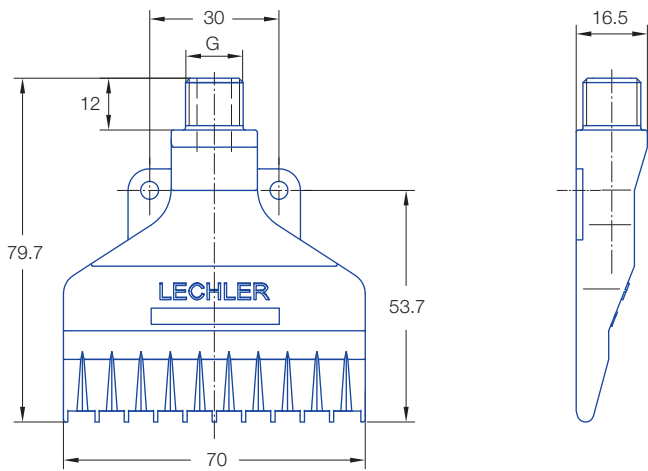


Jet pattern of 600.493 nozzle series

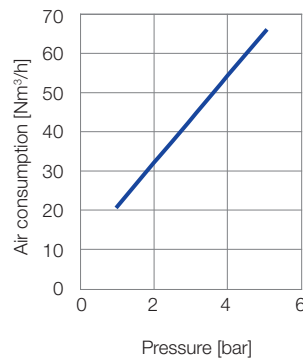
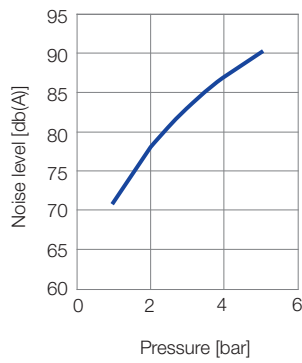
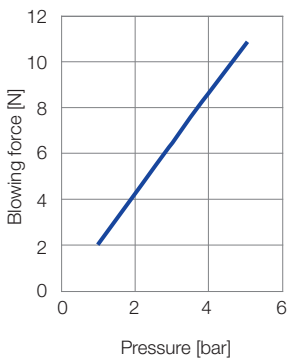
Pressure:	1 bar	3 bar	5 bar
Distance L [mm]:	900	900	900

Jet dimensions at L

A [mm]:	210	240	270
B [mm]:	210	210	280



### Technical data



Ordering no.			
Type	Mat. no.	Code	
	1Y	Stainless steel AISI 316L	1/4 BSPP
600.493	○		AC

Example of ordering: **Type** + **Mat. no.** + **Code** = **Ordering no.**  
**600.493.** + **1Y** + **AC** = **600.493.1Y.AC**